



US00D427489S

# United States Patent [19]

Henry

[11] Patent Number: Des. 427,489

[45] Date of Patent: \*\* Jul. 4, 2000

[54] CUP

[75] Inventor: Jacques Henry, Marcigny, France

[73] Assignee: La Bourguignonne Distribution, Roanne, France

[\*\*] Term: 14 Years

[21] Appl. No.: 29/098,210

[22] Filed: Dec. 23, 1998

### [30] Foreign Application Priority Data

Jun. 25, 1998 [FR] France ..... 98 3792

[51] LOC (7) Cl. .... 07-01

[52] U.S. Cl. .... D7/536; D7/532; D7/533

[58] Field of Search ..... D7/536, 533, 509, D7/532, 529, 512; 220/729, 23.86, 715, 713

### [56] References Cited

#### U.S. PATENT DOCUMENTS

D. 67,738 7/1925 Bell ..... D7/532  
D. 73,031 7/1927 Heisey ..... D7/532

D. 107,994 1/1938 Hansen ..... D7/532  
D. 108,957 1/1938 Kelly ..... D7/532  
D. 118,650 1/1940 Sawyer ..... D7/532  
D. 196,598 10/1963 Lewis ..... D7/532  
D. 288,270 2/1987 Winterling ..... D7/536  
D. 304,889 12/1989 Stymeist ..... D7/536  
D. 318,980 8/1991 Unger ..... D7/536  
D. 321,113 10/1991 Unger ..... D7/536  
D. 321,814 11/1991 Unger ..... D7/536  
D. 326,208 5/1992 Unger ..... D7/536  
D. 328,006 7/1992 Unger ..... D7/536

Primary Examiner—M. N. Pandozzi

Attorney, Agent, or Firm—Abelman, Frayne & Schwab

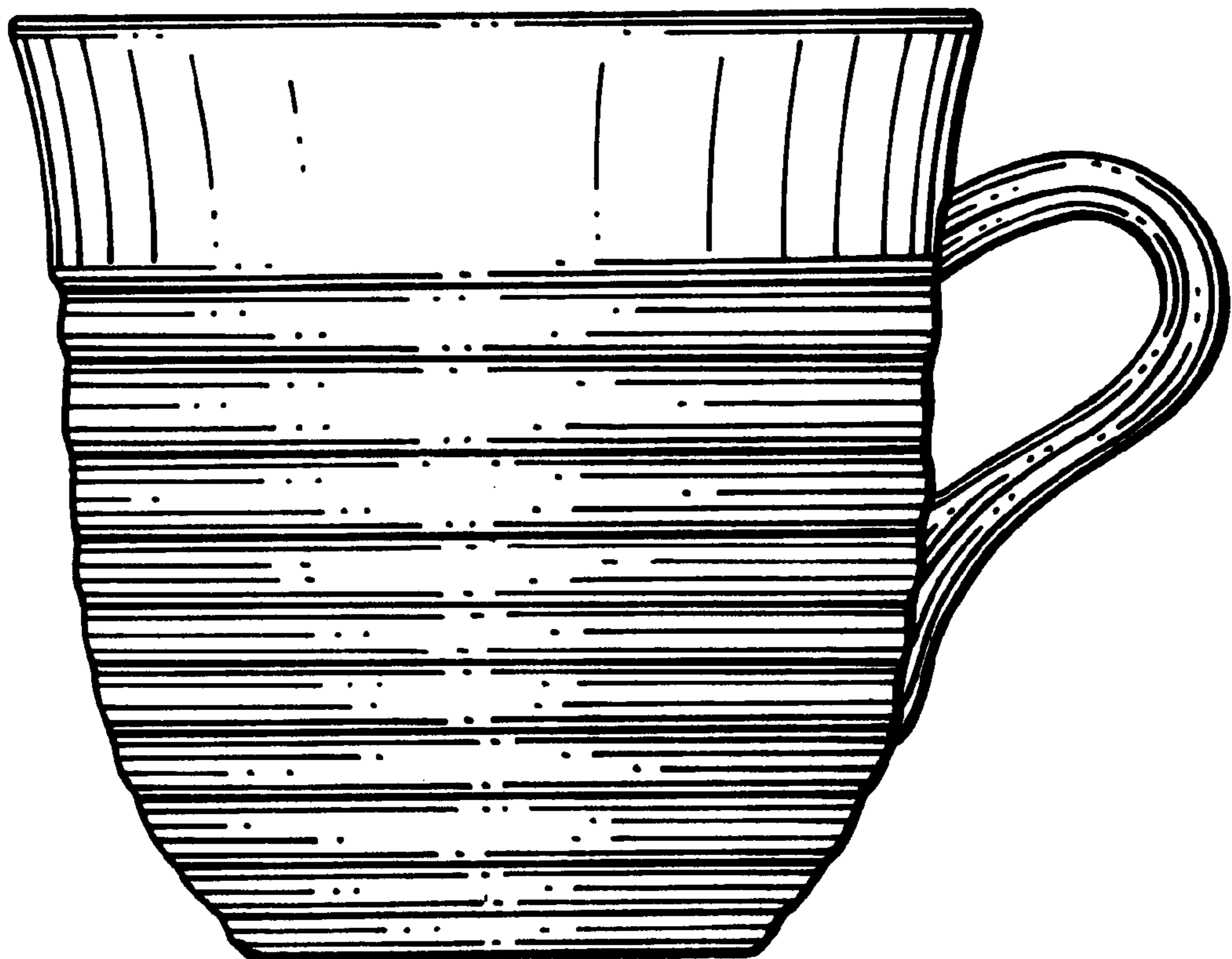
### [57] CLAIM

The ornamental design for cup, as shown and described.

### DESCRIPTION

FIG. 1 is a perspective view showing the new cup design; FIG. 2 is a top plan view thereof; FIG. 3 is a left side view thereof; FIG. 4 is a front view thereof; FIG. 5 is a right side view thereof; and, FIG. 6 is a bottom plan view thereof.

1 Claim, 3 Drawing Sheets



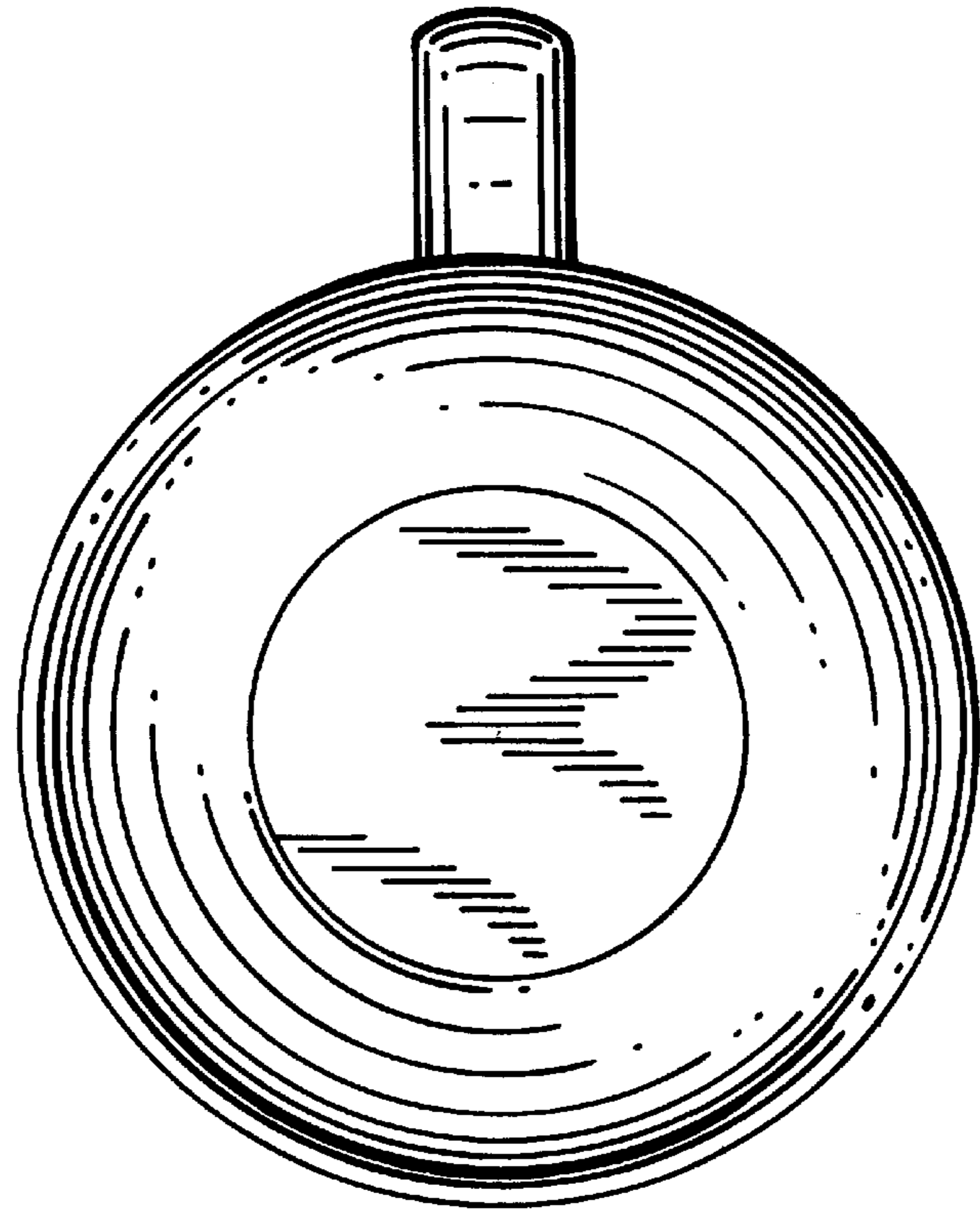


FIG. 2

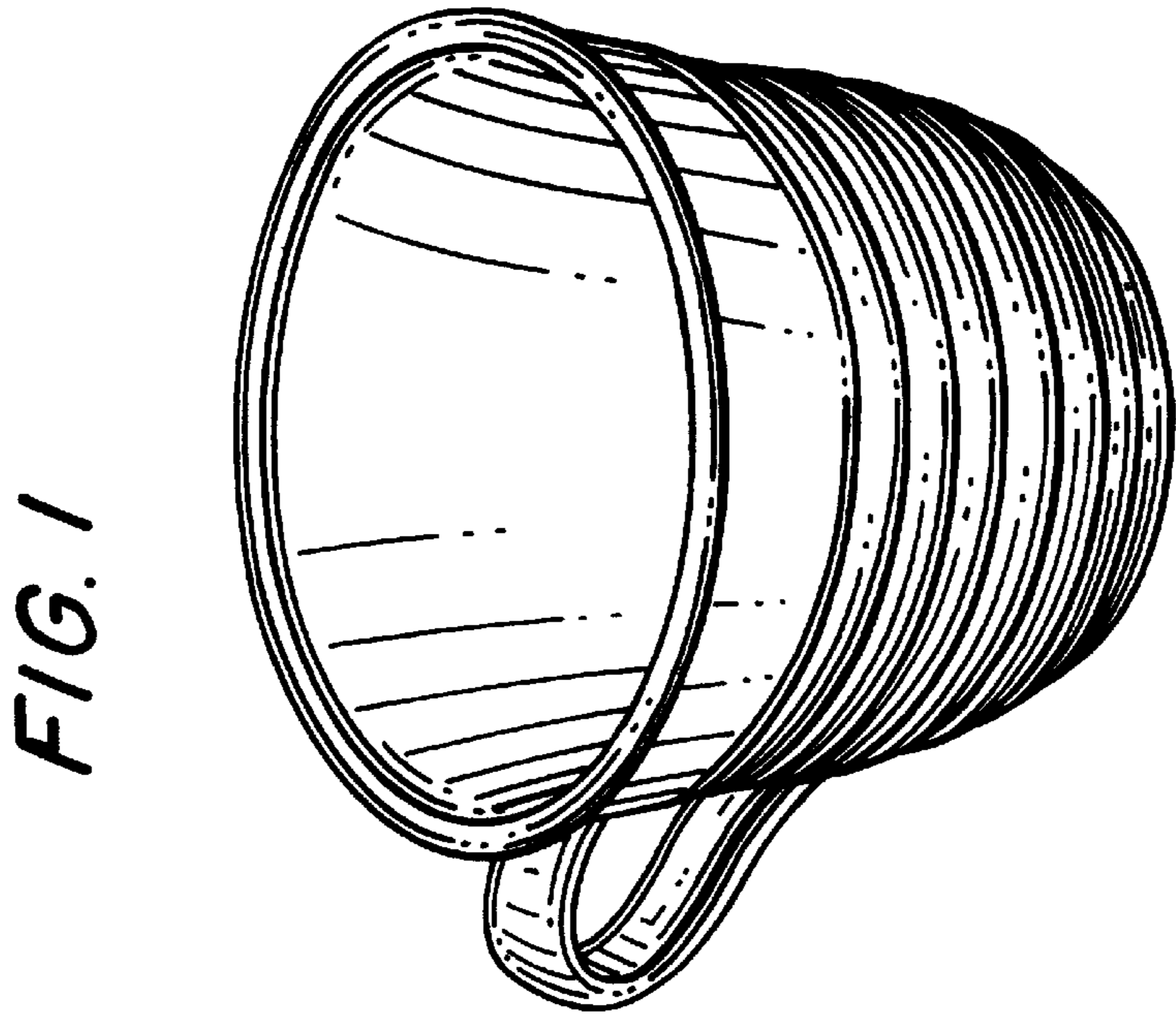
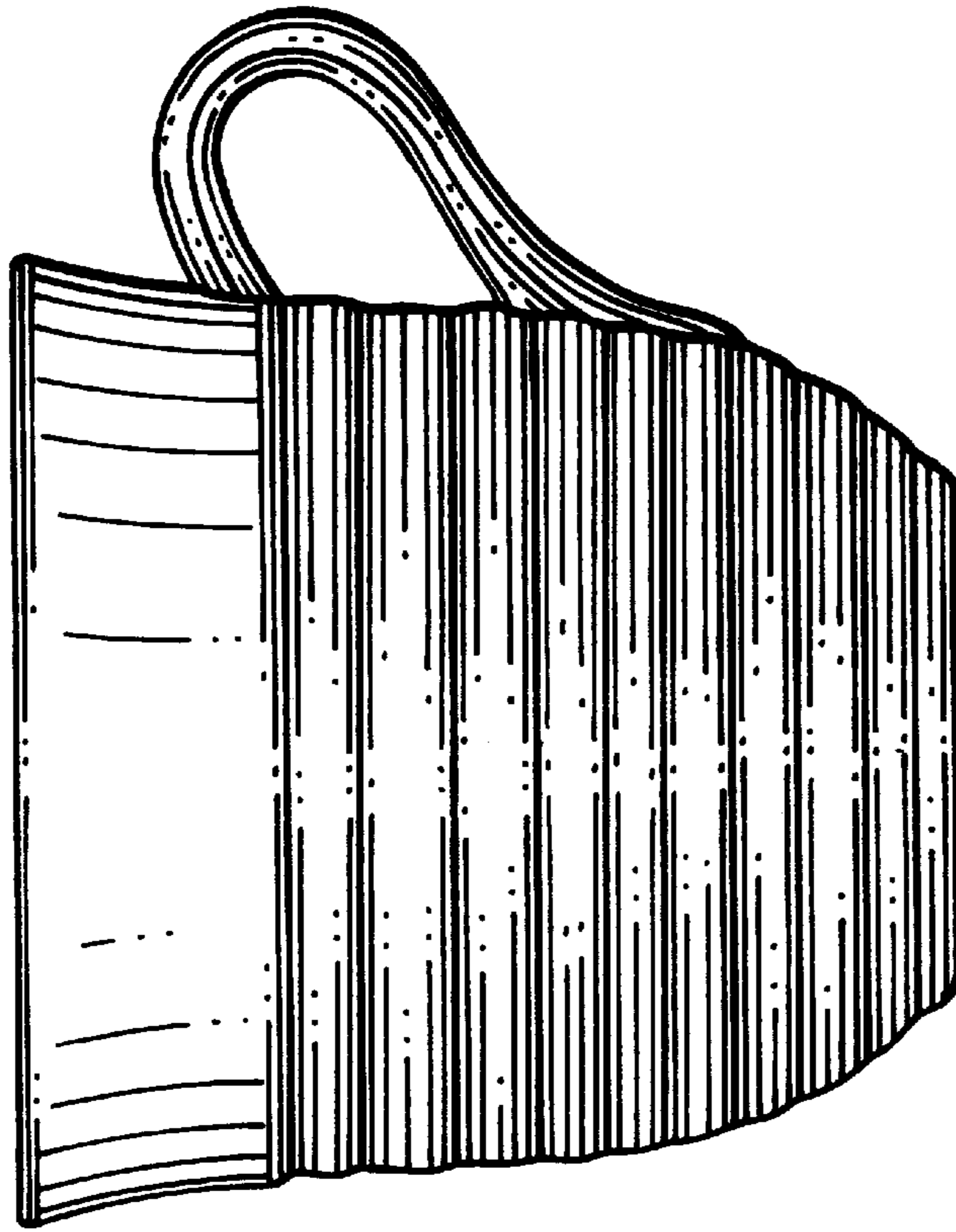


FIG. 1

*FIG. 4*



*FIG. 3*

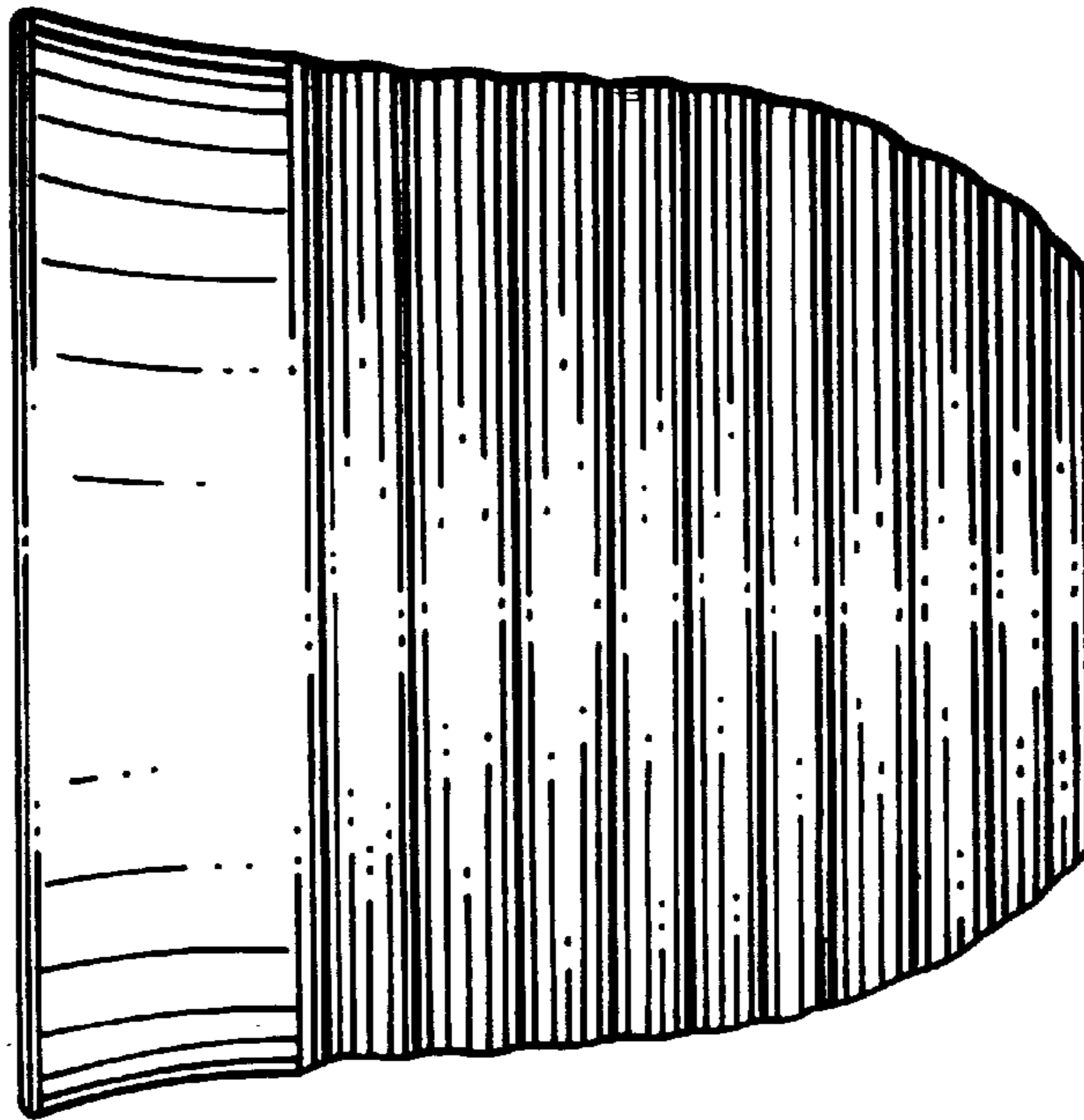


FIG. 6

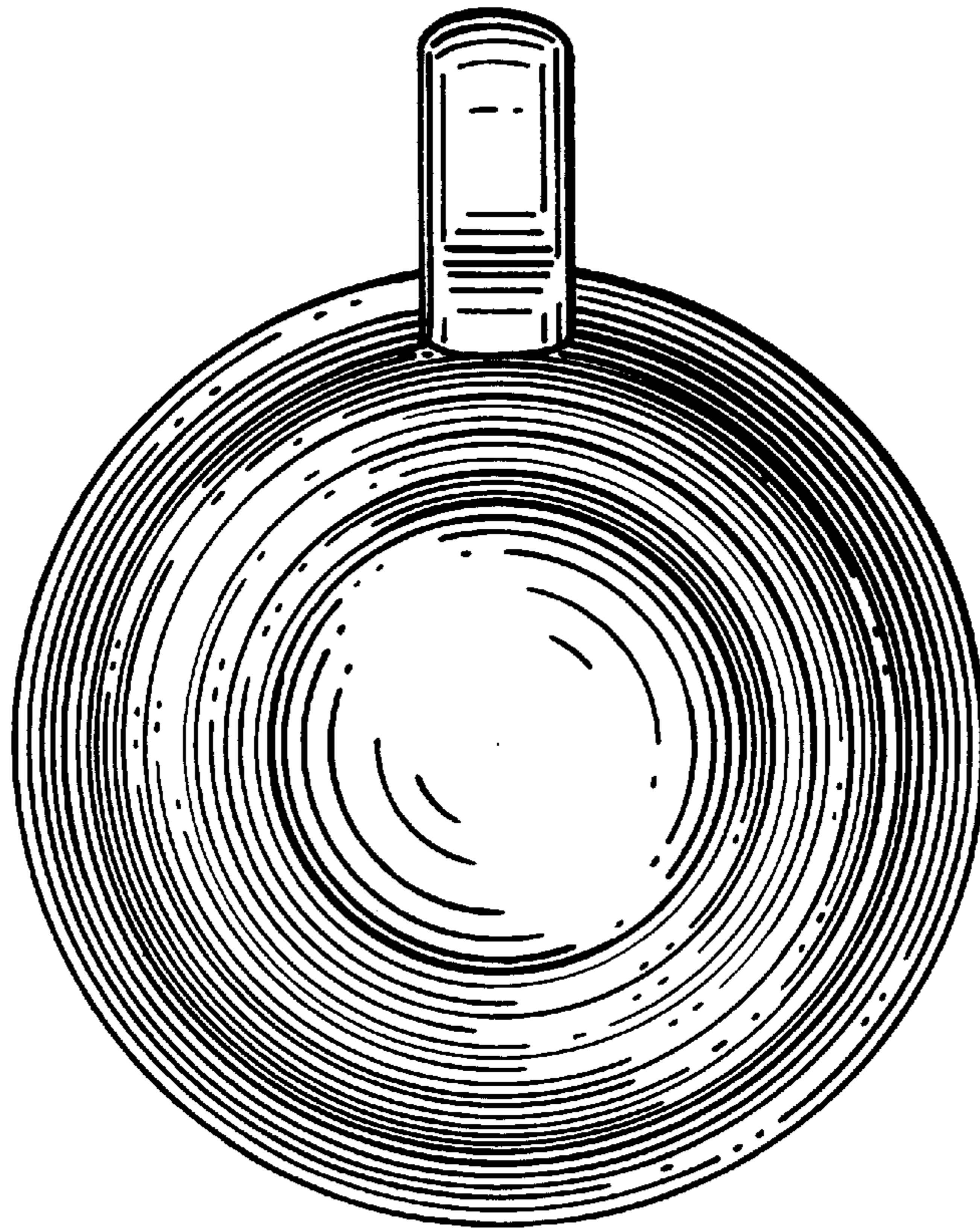


FIG. 5

