



US00D427488S

United States Patent [19]
Herbert

[11] **Patent Number: Des. 427,488**
[45] **Date of Patent: ** Jul. 4, 2000**

[54] **BLENDER CUP**

[75] Inventor: **J. Michael Herbert**, Winchester, Mass.

[73] Assignee: **Island Oasis Frozen Cocktail Company, Inc.**, Walpole, Mass.

[**] Term: **14 Years**

[21] Appl. No.: **29/101,647**

[22] Filed: **Mar. 8, 1999**

[51] **LOC (7) Cl.** **31-00**

[52] **U.S. Cl.** **D7/413**

[58] **Field of Search** D7/376-378, 384,
D7/413, 312, 316, 318; 366/197, 232, 314

[56] **References Cited**

U.S. PATENT DOCUMENTS

D. 386,357	11/1997	Davidson	D7/413
3,311,353	3/1967	Rogenski	259/108
3,548,280	12/1970	Cockroft	318/433
4,528,824	7/1985	Herbert	62/331
4,588,004	5/1986	Herbert	141/377
4,653,281	3/1987	Van Der Veer	62/71
4,681,030	7/1987	Herbert	99/484

OTHER PUBLICATIONS

Bragonier et al. "What's What: A Visual Glossary of the Physical World" p. 250, Ballantine Books, New York, New York (1981).

Hamilton Beach/Proctor-Silex, Inc. Commercial Catalog, select pages. (1984).

Waring, Inc. Commercial Catalog, Hartford Connecticut, select pages. (1985).

Primary Examiner—Caron D. Veynar

Attorney, Agent, or Firm—John L. Welch

[57] **CLAIM**

The ornamental design for a blender cup, as shown.

DESCRIPTION

FIG. 1 is a right side elevational view of the blender cup according to my new design, the left side view being a mirror image;

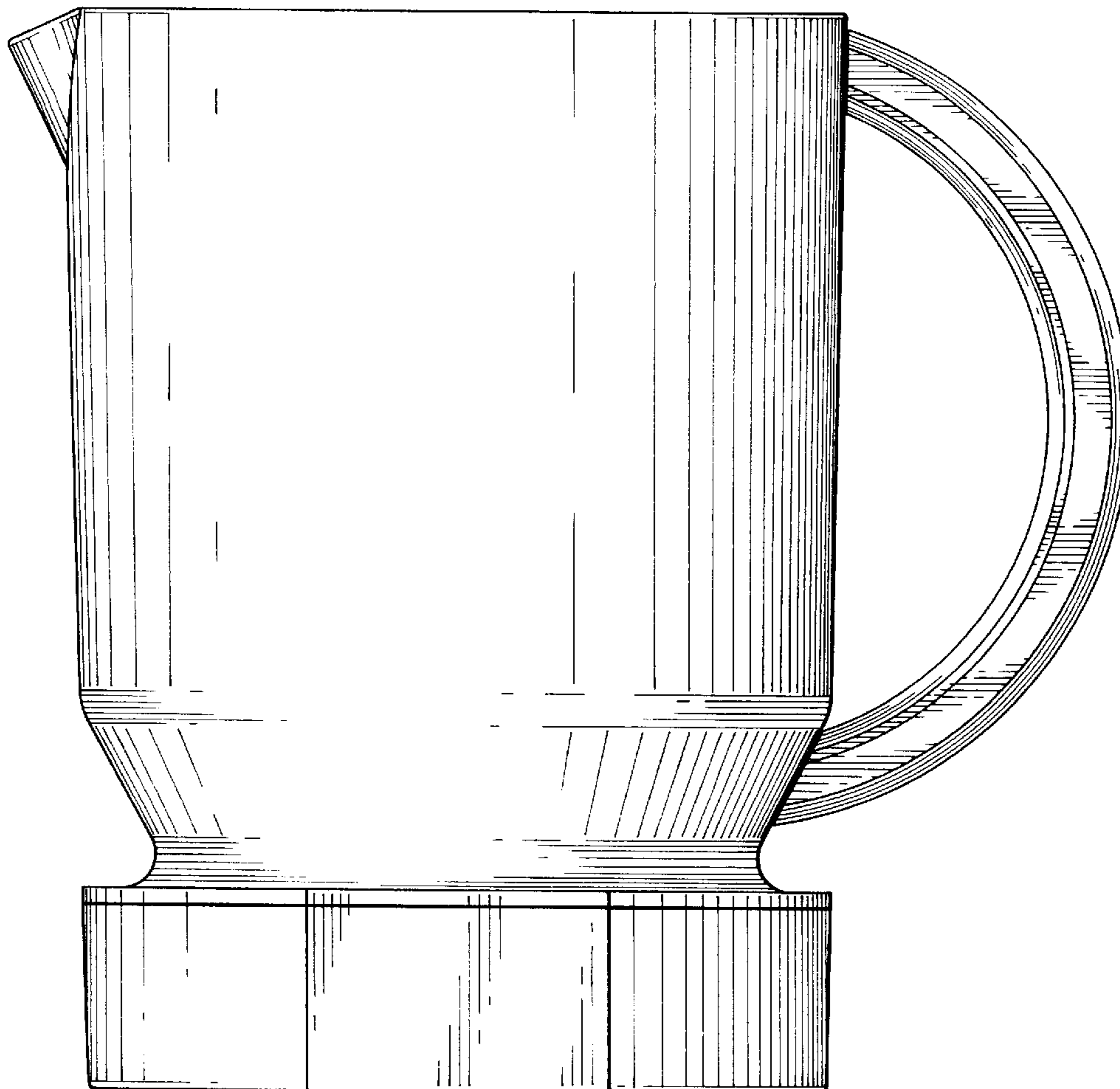
FIG. 2 is a rear elevational view thereof;

FIG. 3 is a front elevational view thereof;

FIG. 4 is a top plan view thereof; and,

FIG. 5 is a bottom plan view thereof.

1 Claim, 4 Drawing Sheets



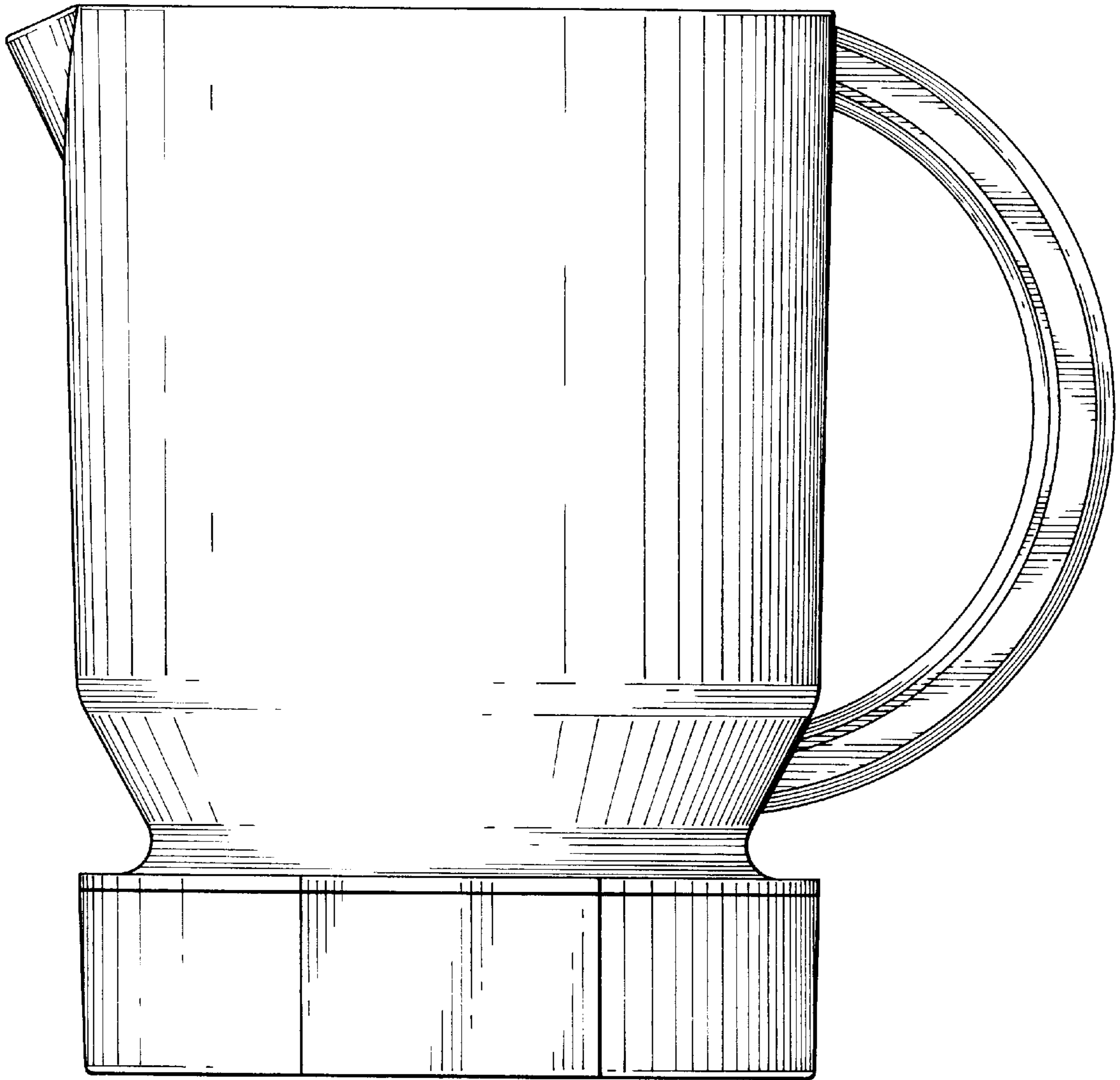


FIG. 1

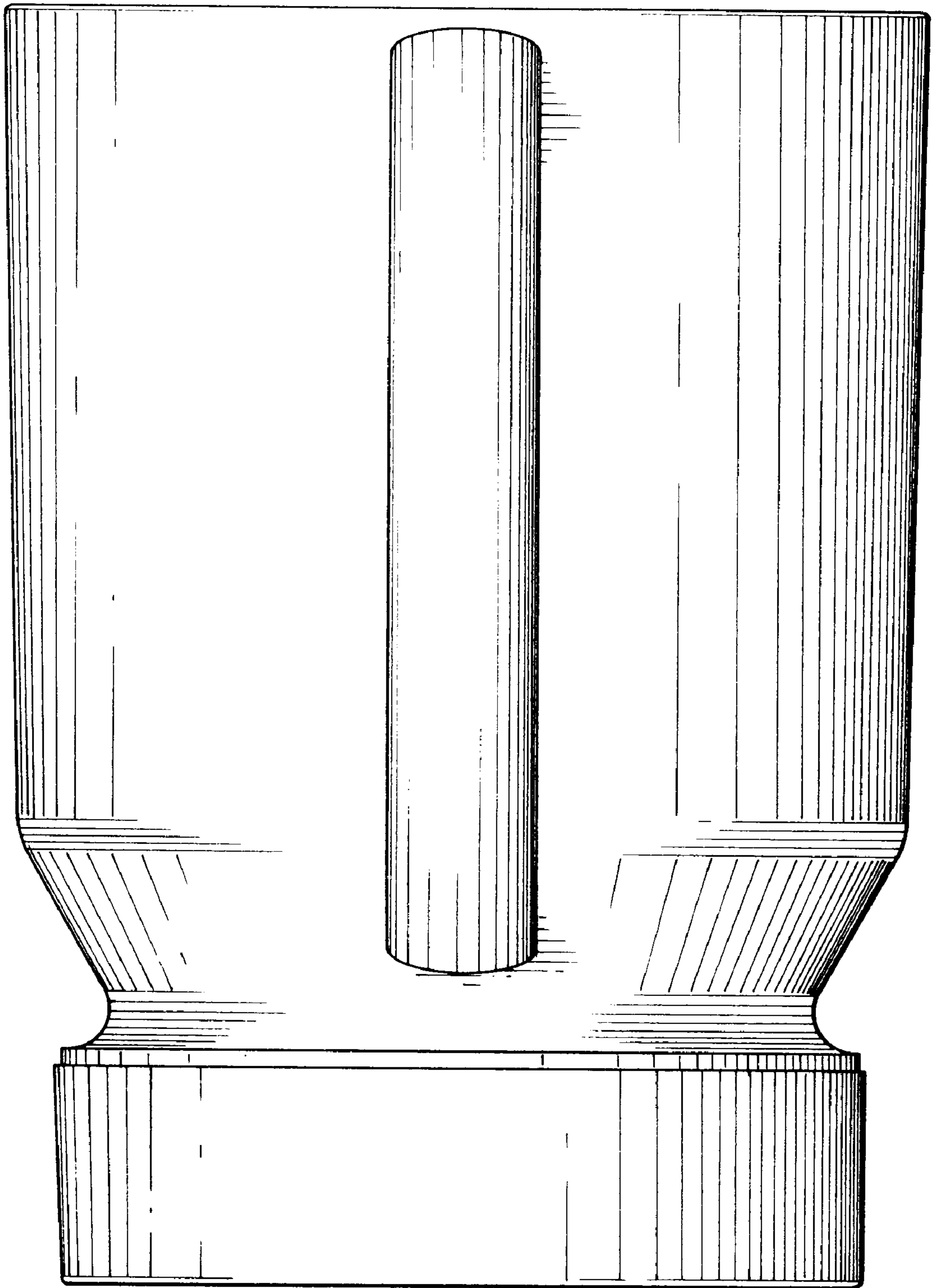


FIG. 2

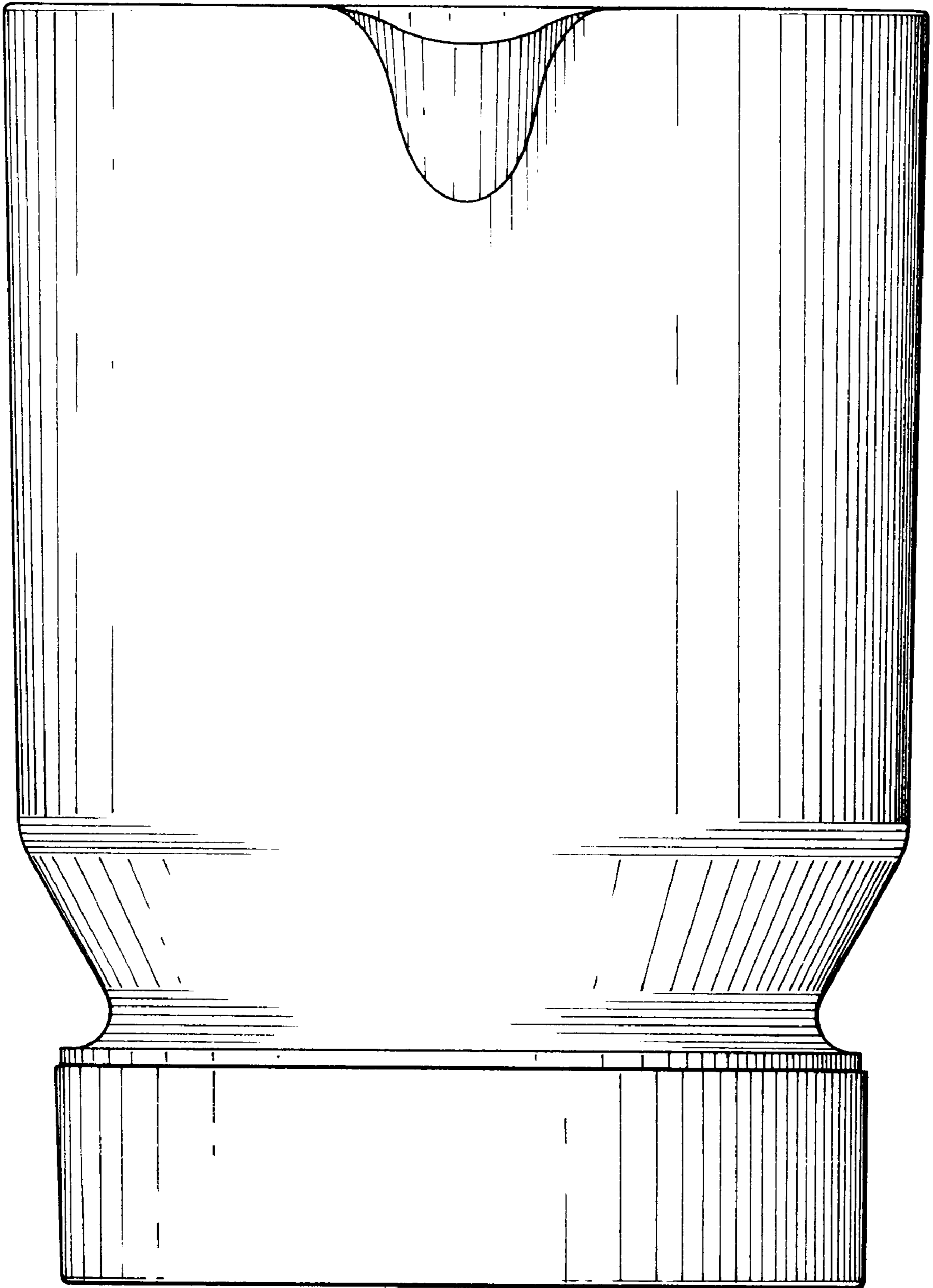


FIG. 3

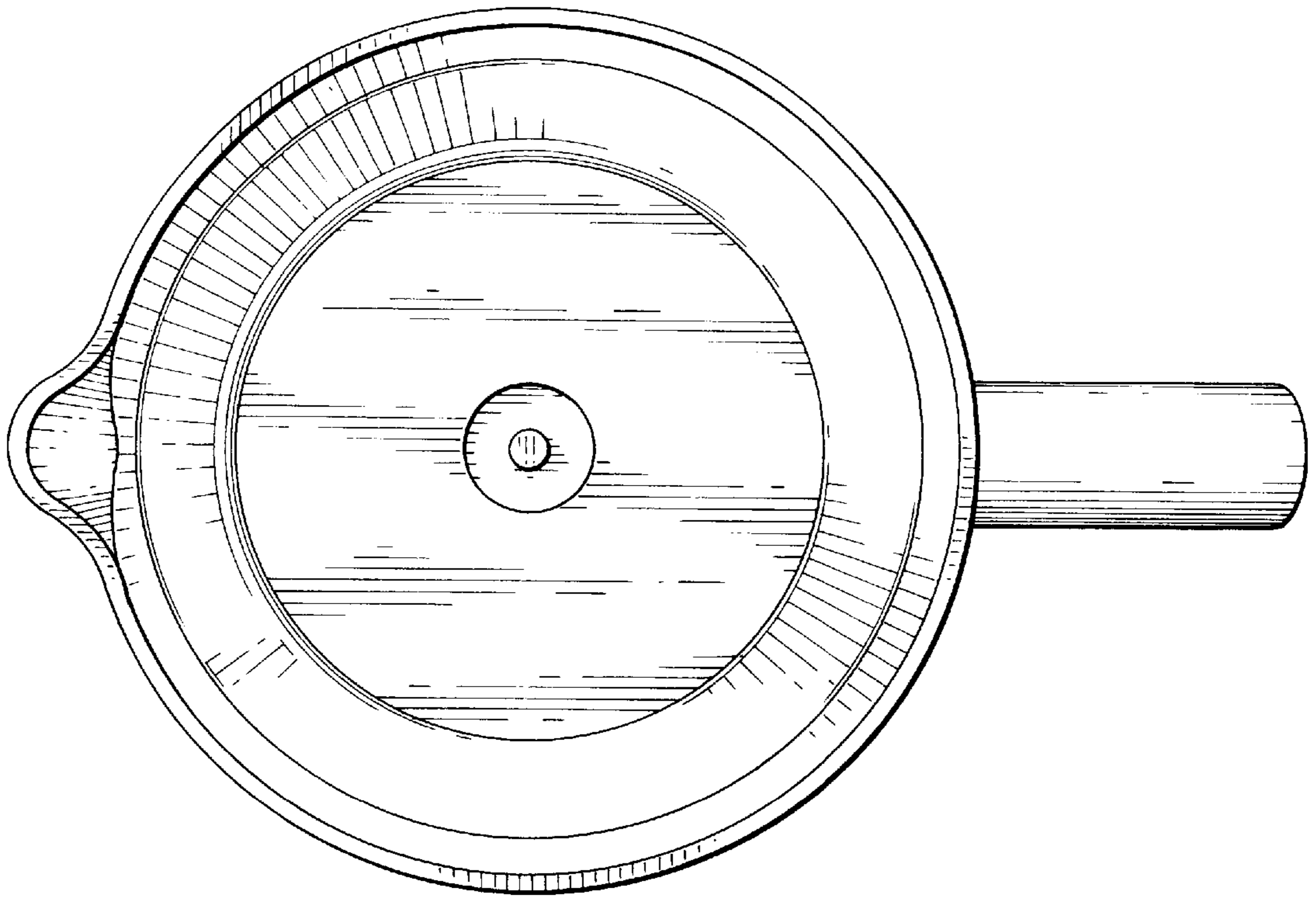


FIG. 4

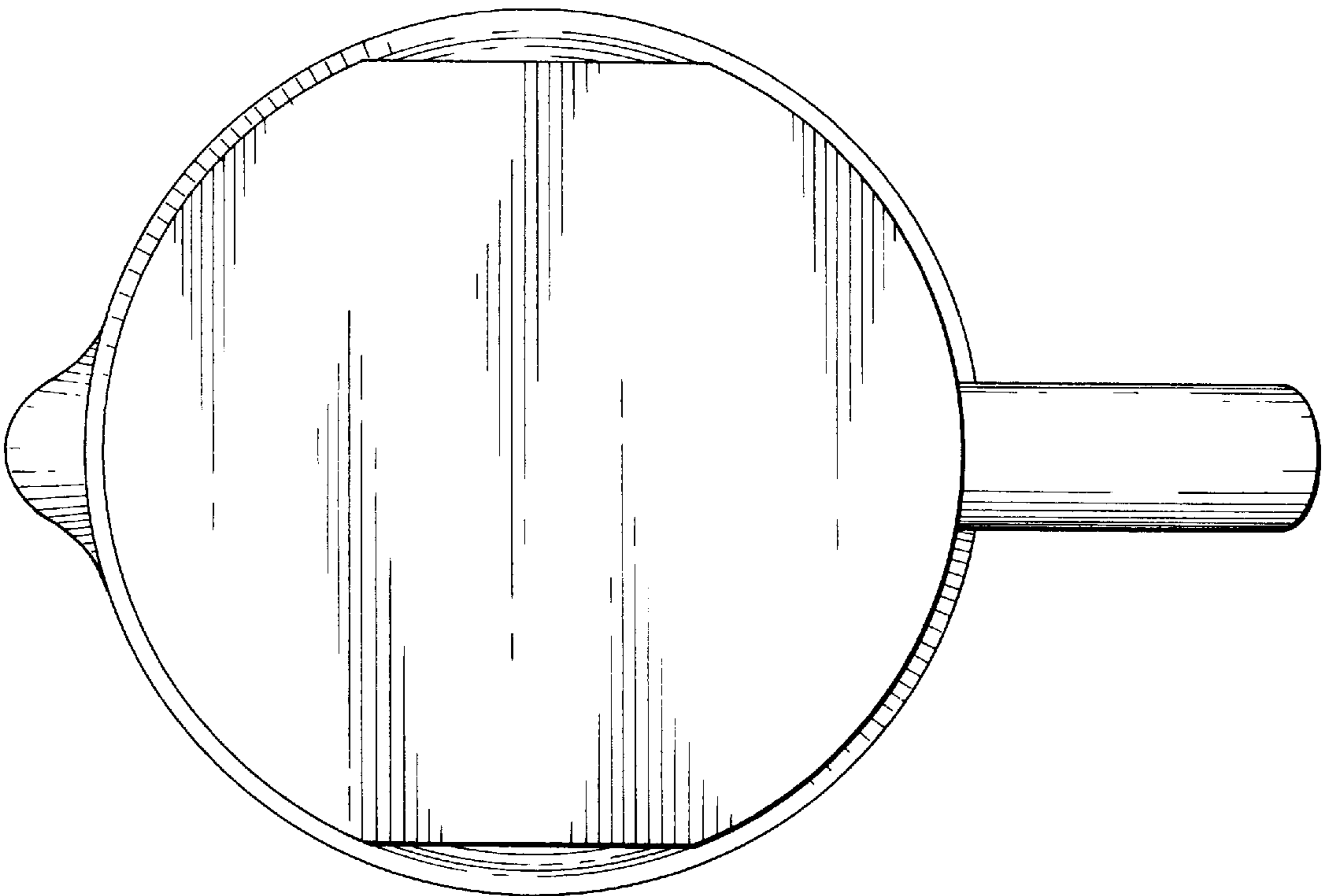


FIG. 5