



US00D427484S

# United States Patent [19] Ethridge

[11] **Patent Number: Des. 427,484**

[45] **Date of Patent: \*\* Jul. 4, 2000**

[54] **BBQ GRILL WITH PIG MOTIF**

[76] Inventor: **James Richard Ethridge, 27355  
Glenmeadows Dr., Lake Forest, Calif.  
92630**

[\*\*] Term: **14 Years**

[21] Appl. No.: **29/099,931**

[22] Filed: **Feb. 1, 1999**

[51] **LOC (7) Cl. .... 07-02**

[52] **U.S. Cl. .... D7/402; D7/332**

[58] **Field of Search** ..... D7/332-337, 402;  
D21/610, 654, 708, 712, 714, 533, 548,  
549, 580; D11/157-158, 163; 126/25 R,  
25 A, 25 AA, 29-30, 9 R, 39 R; 99/419,  
421 R; 446/268, 431, 465, 470

[56] **References Cited**

**U.S. PATENT DOCUMENTS**

D. 25,973 8/1896 Schiess ..... D21/654  
D. 105,824 8/1937 Romano ..... D21/654  
D. 263,440 3/1982 Feild ..... D7/332  
D. 361,108 8/1995 Schneider ..... D21/712

D. 370,823 6/1996 Traeger et al. .... D7/332  
D. 379,387 5/1997 Stephensen et al. .... D21/654  
D. 385,599 10/1997 Stephensen et al. .... D21/654

*Primary Examiner*—Ruth McInroy  
*Attorney, Agent, or Firm*—Edgar W. Averill, Jr.

[57] **CLAIM**

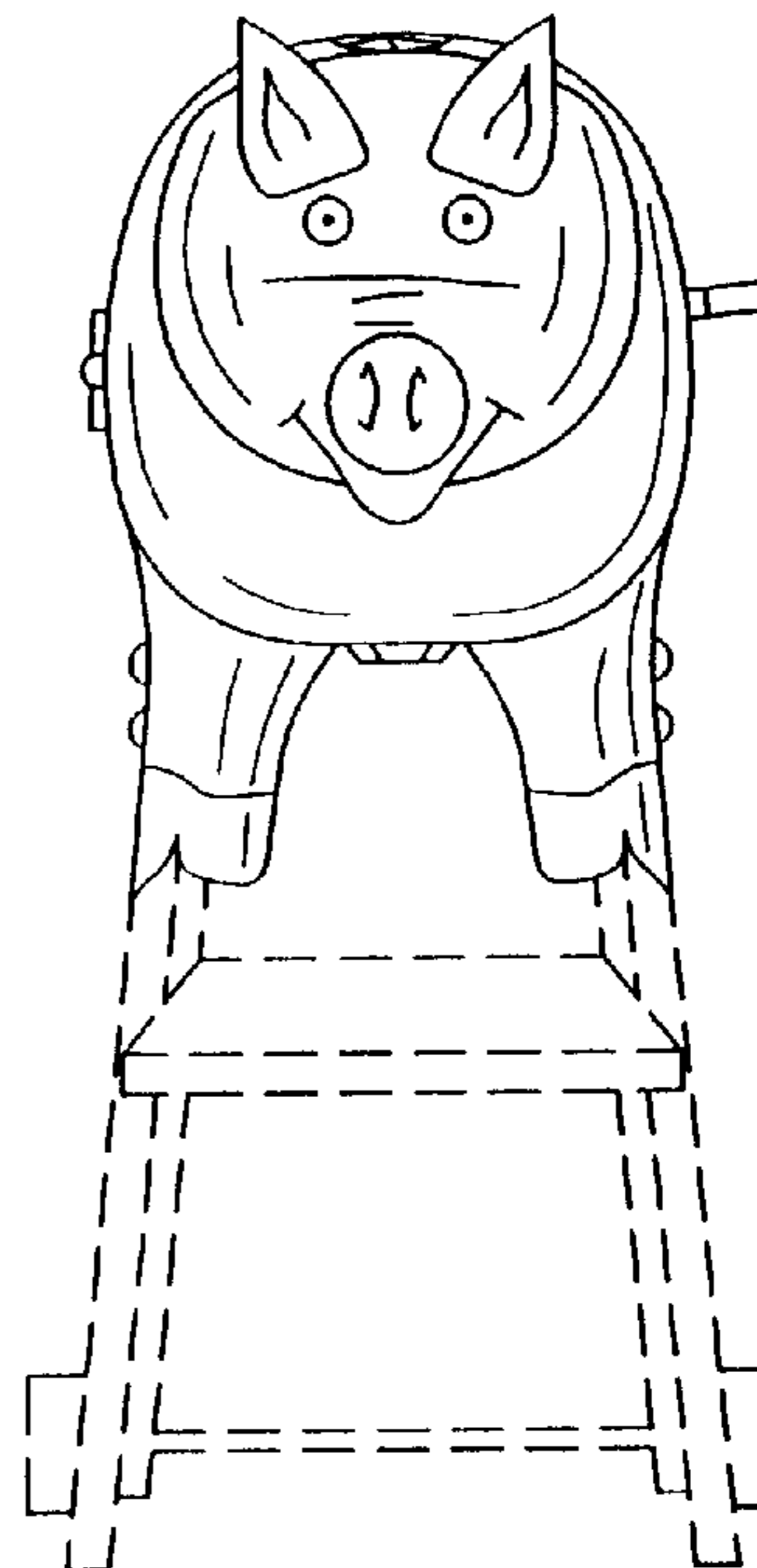
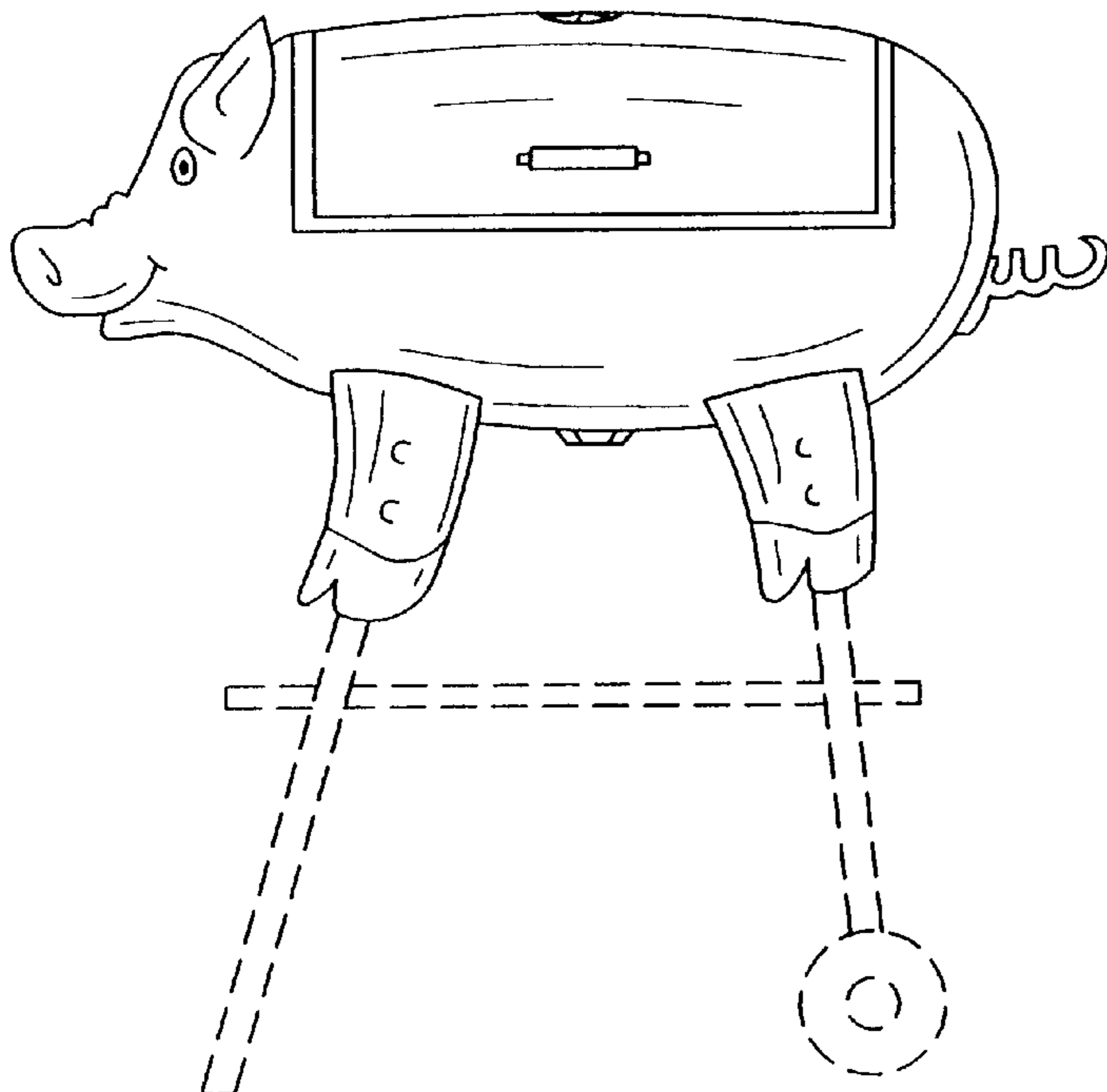
The ornamental design for BBQ grill with pig motif, as shown and described.

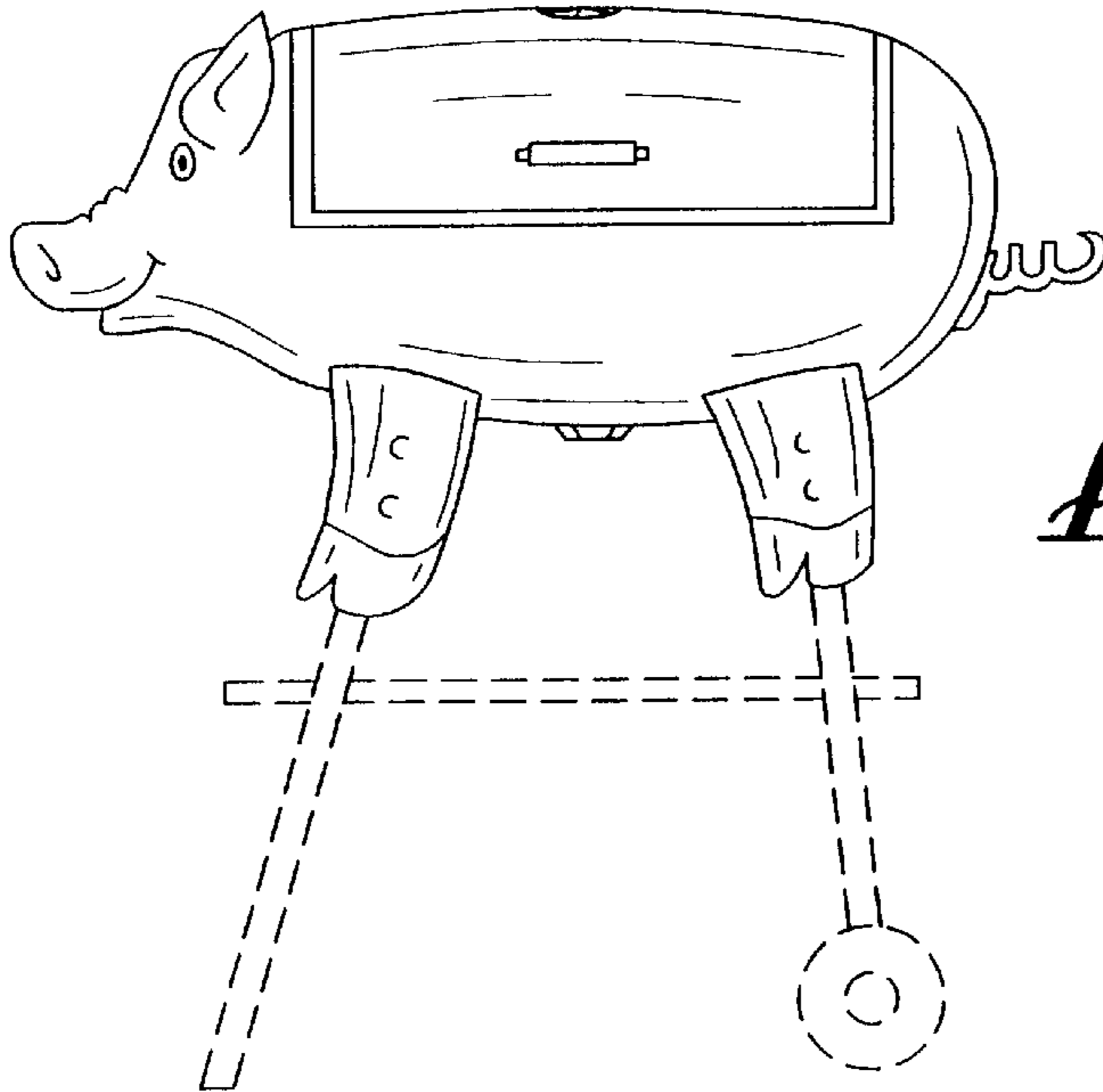
**DESCRIPTION**

FIG. 1 is a front view of a BBQ grill with a pig motif showing my new design;  
FIG. 2 is a backside thereof;  
FIG. 3 is a left side view thereof with the cover open;  
FIG. 4 is a left side view thereof;  
FIG. 5 is a right side view thereof;  
FIG. 6 is a top view thereof; and,  
FIG. 7 is a bottom view thereof.

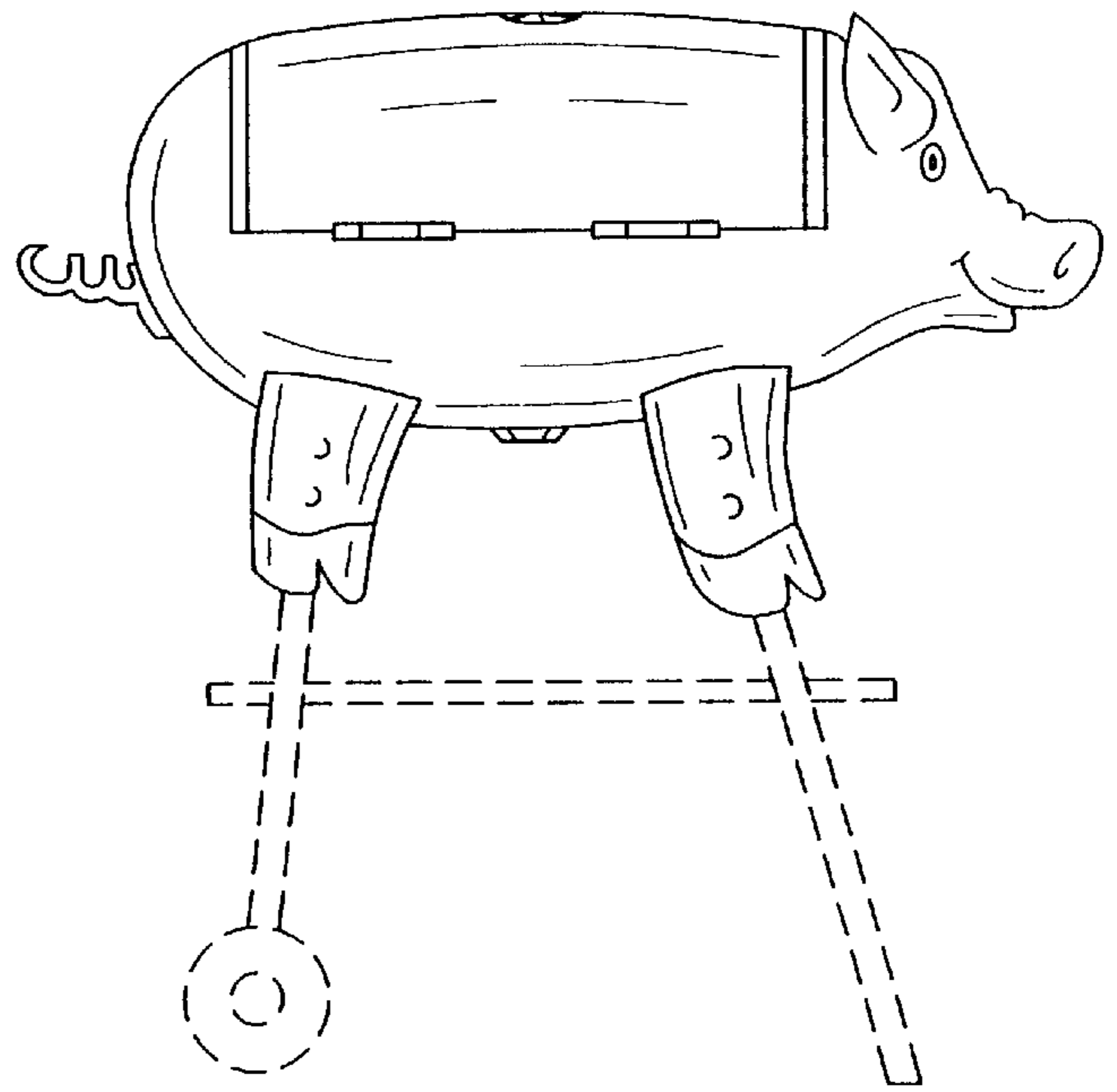
The portions shown in broken lines in FIGS. 1-5 are for illustrative purposes only and form no part of the claimed design.

**1 Claim, 2 Drawing Sheets**

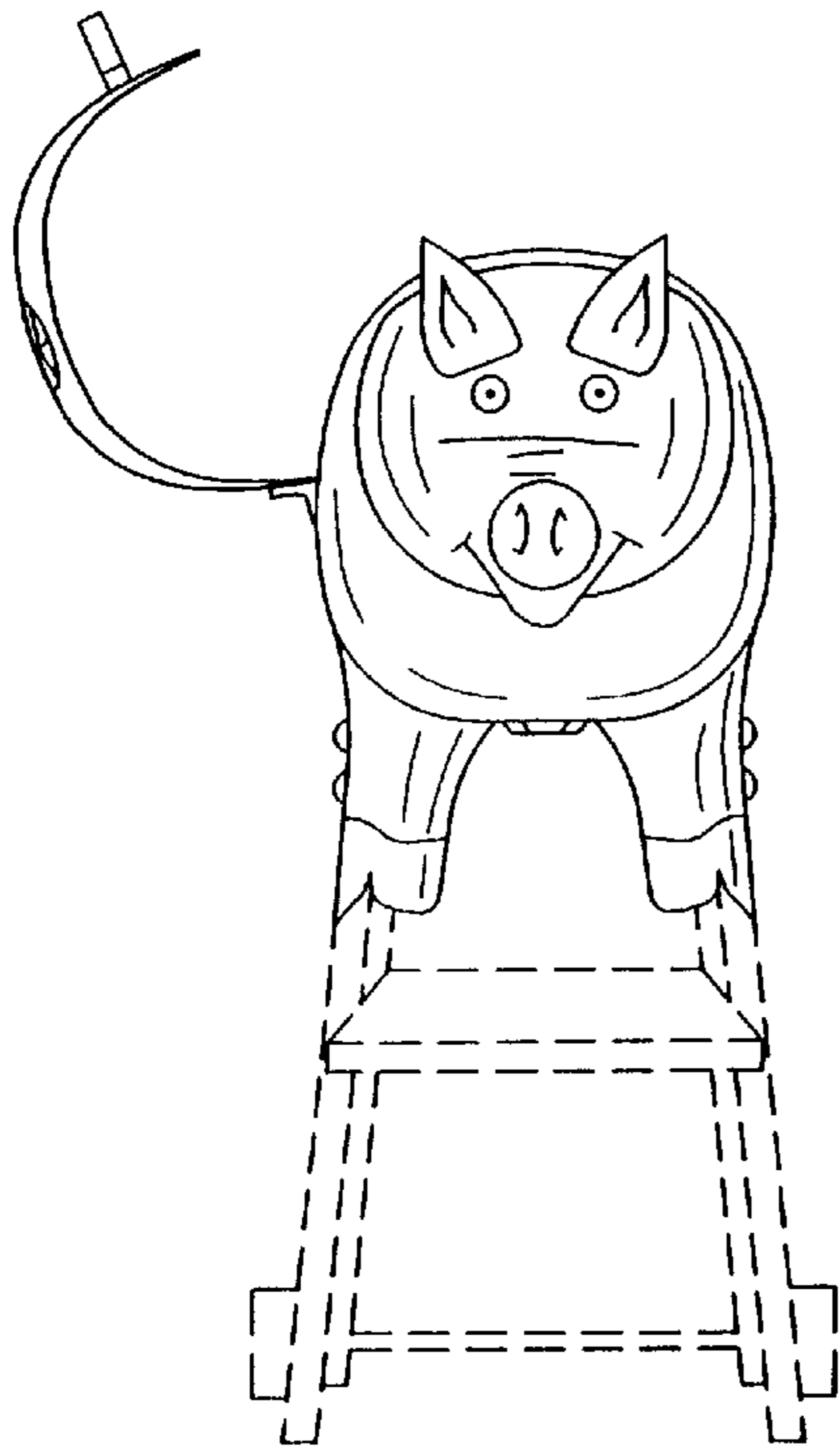




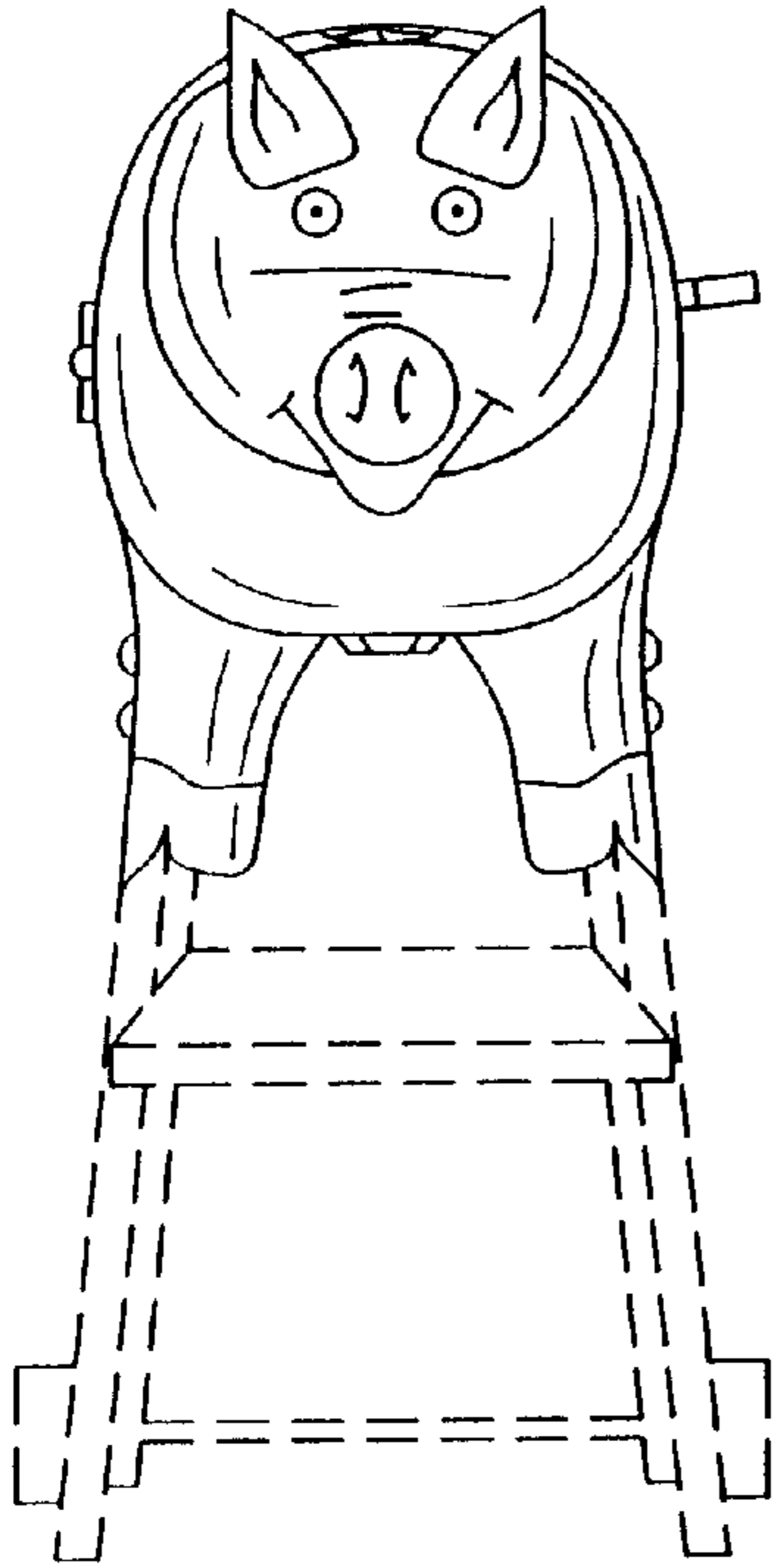
*FIG. 1*



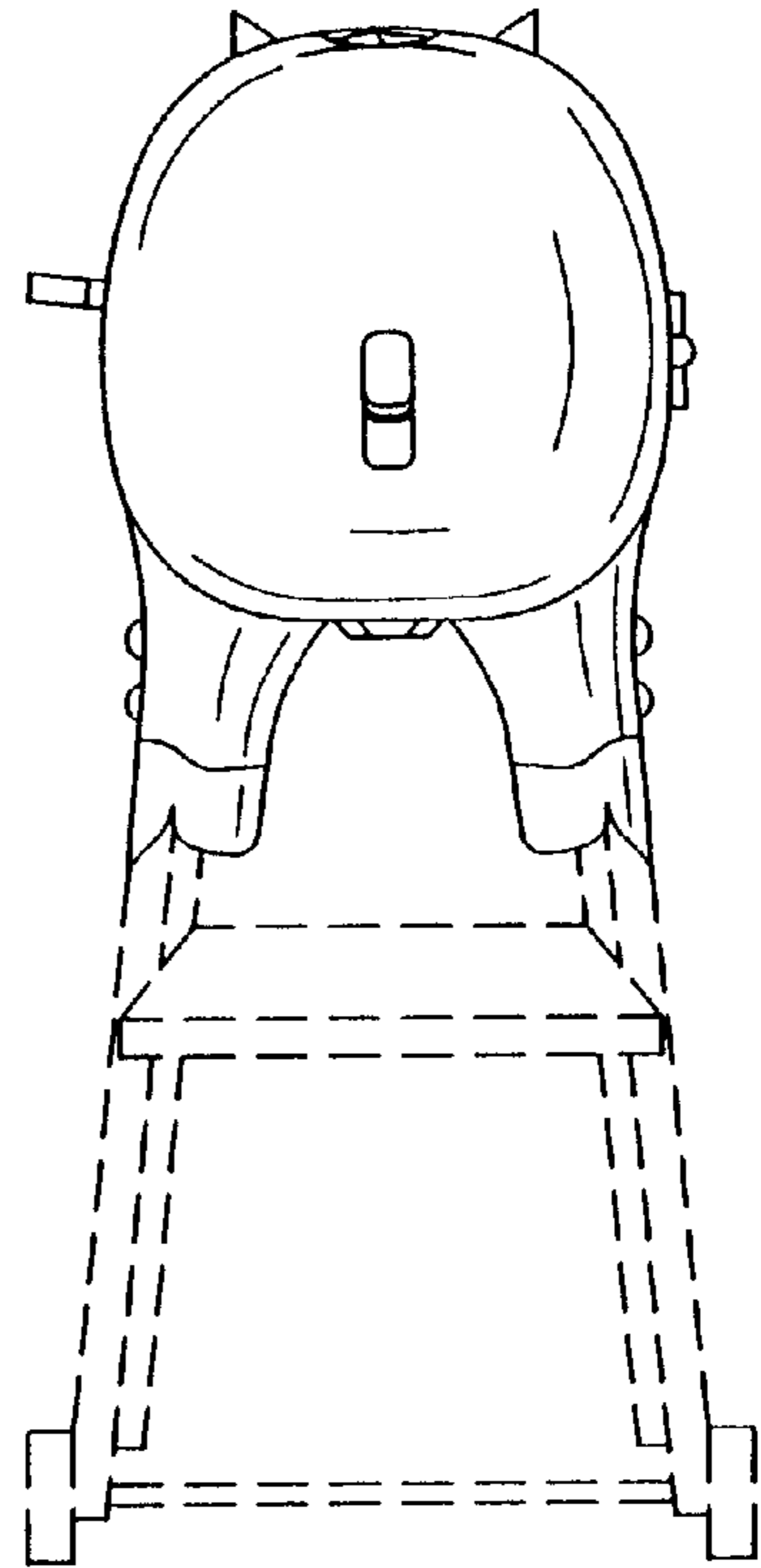
*FIG. 2*



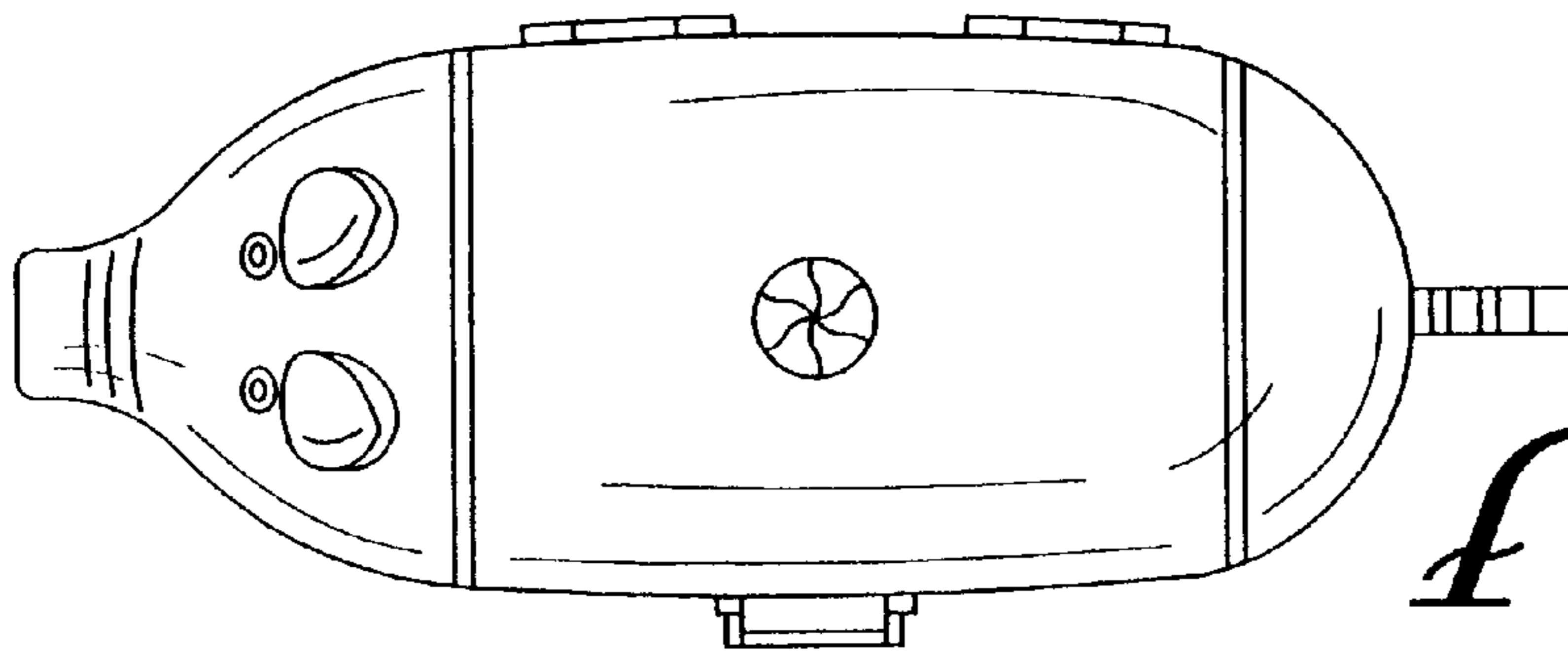
*FIG. 3*



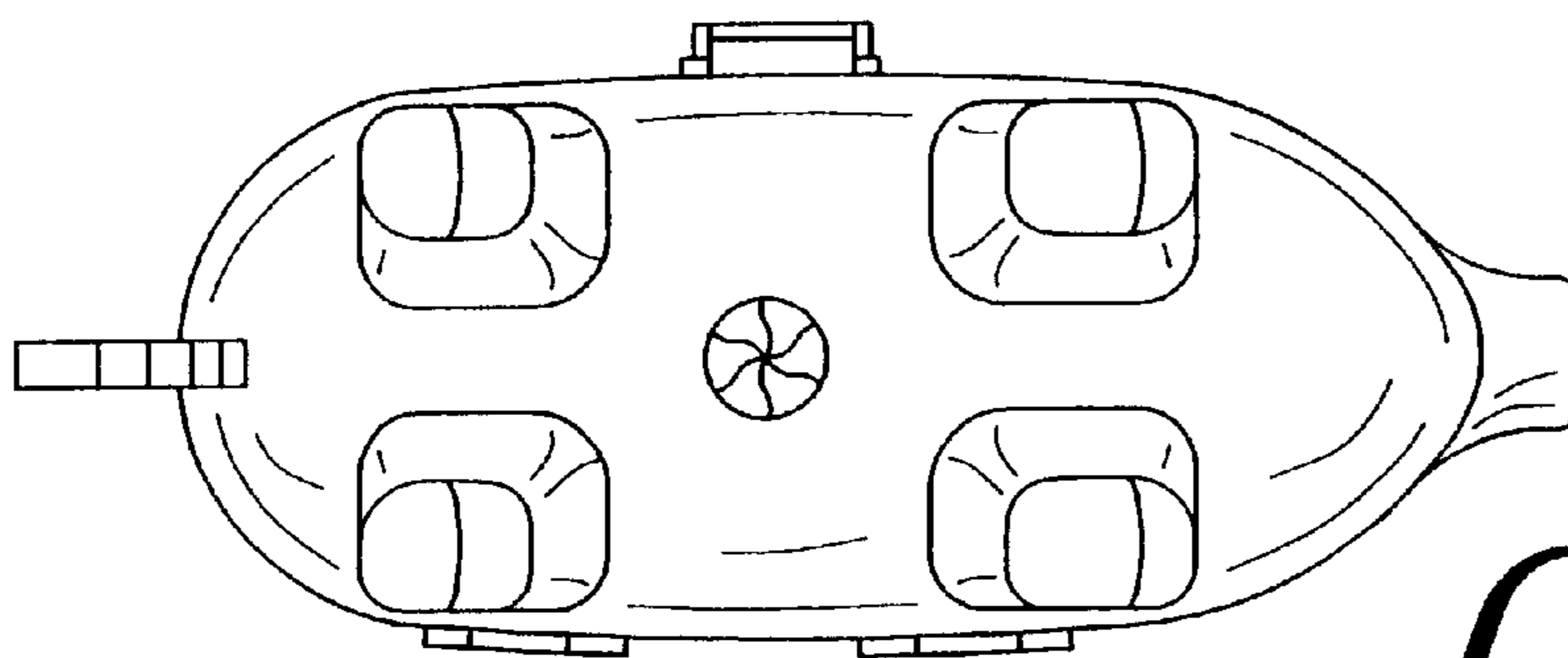
*FIG. 4*



*FIG. 5*



*FIG. 6*



*FIG. 7*