



US00D427482S

United States Patent [19] Mittmann

[11] **Patent Number: Des. 427,482**
[45] **Date of Patent: ** Jul. 4, 2000**

[54] **PAN CORNER**
[75] Inventor: **Jeffrey C. Mittmann**, Plymouth, Wis.
[73] Assignee: **The Vollrath Company, L.L.C.**,
Sheboygan, Wis.
[**] Term: **14 Years**
[21] Appl. No.: **29/108,845**
[22] Filed: **Aug. 4, 1999**

267337 11/1988 France .
0348866 9/1993 France .
0348867 9/1993 France .
0348868 9/1993 France .
0348869 9/1993 France .
0348870 9/1993 France .
0348871 9/1993 France .
0348872 9/1993 France .
0348873 9/1993 France .
DM 038746 1/1997 Germany .

Primary Examiner—Caron D. Veynar
Attorney, Agent, or Firm—Foley & Lardner

Related U.S. Application Data

[62] Division of application No. 29/085,301, Mar. 19, 1998.
[51] **LOC (7) Cl.** **07-02**
[52] **U.S. Cl.** **D7/354; D9/434**
[58] **Field of Search** D7/354–361; D8/18,
D8/34; D9/345, 415, 423–426, 434, 435;
206/216, 427, 459.5, 508, 515, 518, 564,
592, 593; 220/4.21, 200, 212, 256, 309.1,
309.2, 380, 780–788, 790, 801, 912; 229/406

[57] CLAIM

The ornamental design for a pan corner, as shown.

DESCRIPTION

FIG. 1 is a top perspective view of a pan corner showing my new design;
FIG. 2 is a top plan view, the bottom plan view being a mirror image thereof;
FIG. 3 is a front elevational view;
FIG. 4 is an auxiliary elevational view taken along lines 4–4 of FIG. 2;
FIG. 5 is a right side elevational view thereof;
FIG. 6 is a sectional view taken along lines 6–6 of FIG. 2;
FIG. 7 is a top perspective view of a second embodiment of FIGS. 1–6;
FIG. 8 is a top plan view of the second embodiment; the bottom plan view being a mirror image thereof;
FIG. 9 is a front elevational view of the second embodiment;
FIG. 10 is an auxiliary elevational view of the second embodiment taken along lines 10–10 of FIG. 8;
FIG. 11 is a right side elevational view of the second embodiment; and,
FIG. 12 is a sectional view of the second embodiment taken along lines 12–12 of FIG. 8.
The broken lines shown in FIGS. 1–12 are for illustrative purposes only and form no part of the claimed design.

[56] References Cited

U.S. PATENT DOCUMENTS

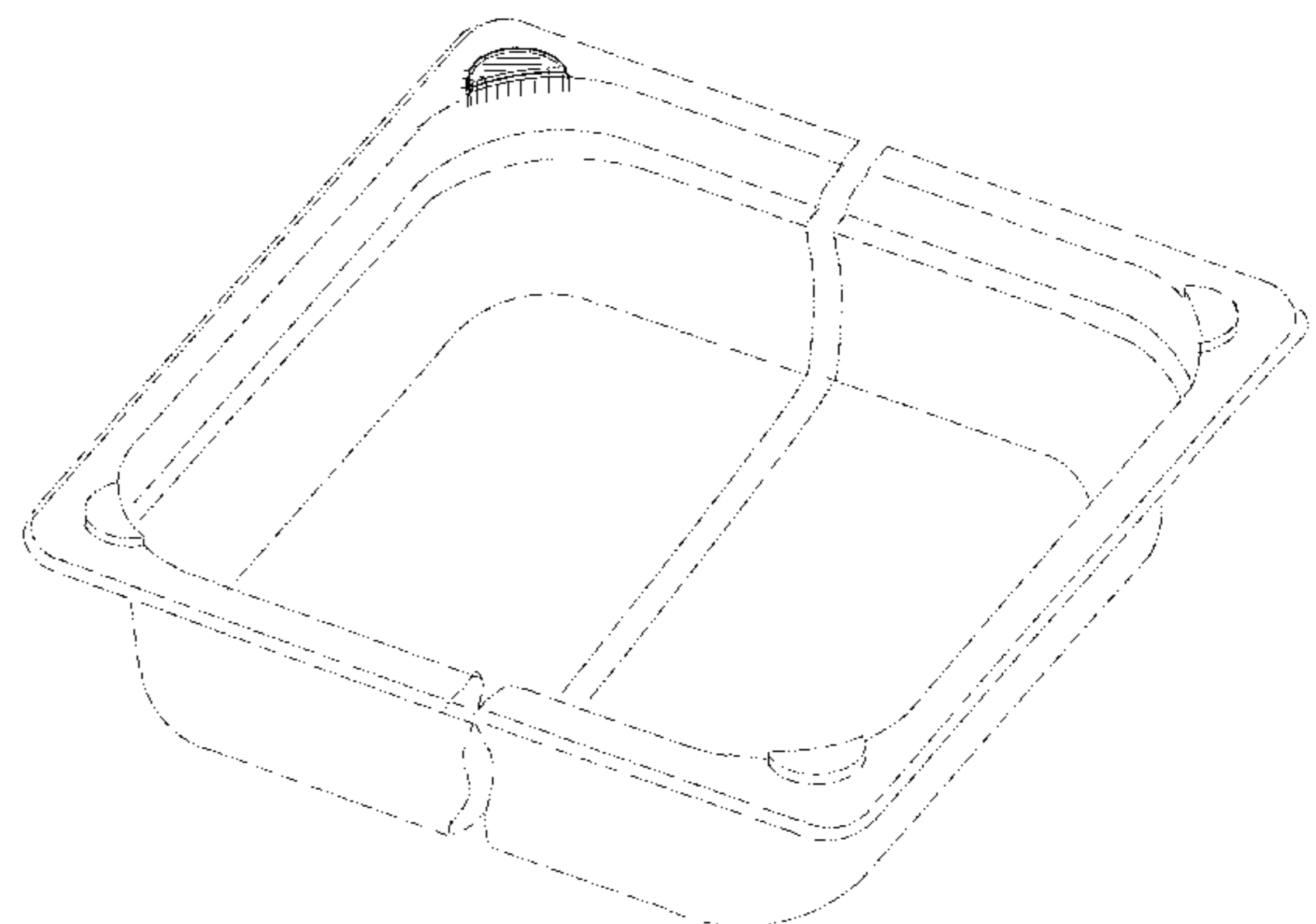
D. 191,565 10/1961 Wolf et al. .
D. 202,964 11/1965 Benes et al. .
D. 277,993 3/1985 Sinchok .
D. 282,520 2/1986 Schrage .
D. 291,526 8/1987 Heaney et al. .
D. 365,273 12/1995 Indekeu D9/434
D. 387,986 12/1997 Hayes et al. D9/435
2,170,040 8/1939 Stuart .
2,605,929 8/1952 Bloomfield .
2,656,066 10/1953 Riemenschneider .

(List continued on next page.)

FOREIGN PATENT DOCUMENTS

1253019 12/1960 France .

1 Claim, 3 Drawing Sheets



U.S. PATENT DOCUMENTS

2,673,003	3/1954	Stewart .	3,563,445	2/1971	Clayton .
2,738,915	3/1956	Clair .	3,583,623	6/1971	Golner et al. .
2,814,427	11/1957	Emery .	3,700,096	10/1972	Reifers .
3,064,849	11/1962	Ferm .	3,938,727	2/1976	Andersson .
3,098,597	7/1963	Johnson et al. .	4,113,095	9/1978	Dietz et al. .
3,326,408	6/1967	Ringlen .	4,183,435	1/1980	Thompson et al. .
3,420,431	1/1969	Donovan .	4,494,650	1/1985	Cullen .
3,442,377	5/1969	Angelus .	4,660,734	4/1987	Heaney et al. .
3,451,588	6/1969	Weber .	5,035,327	7/1991	Denzin et al. .
3,539,552	11/1970	Mounts et al. .	5,244,094	9/1993	Graff, Jr. et al. .
3,558,002	1/1971	Lindgren .	5,375,719	12/1994	Mittmann et al. .
			5,377,860	1/1995	Littlejohn et al. .
			5,641,090	6/1997	Kowalski et al. .

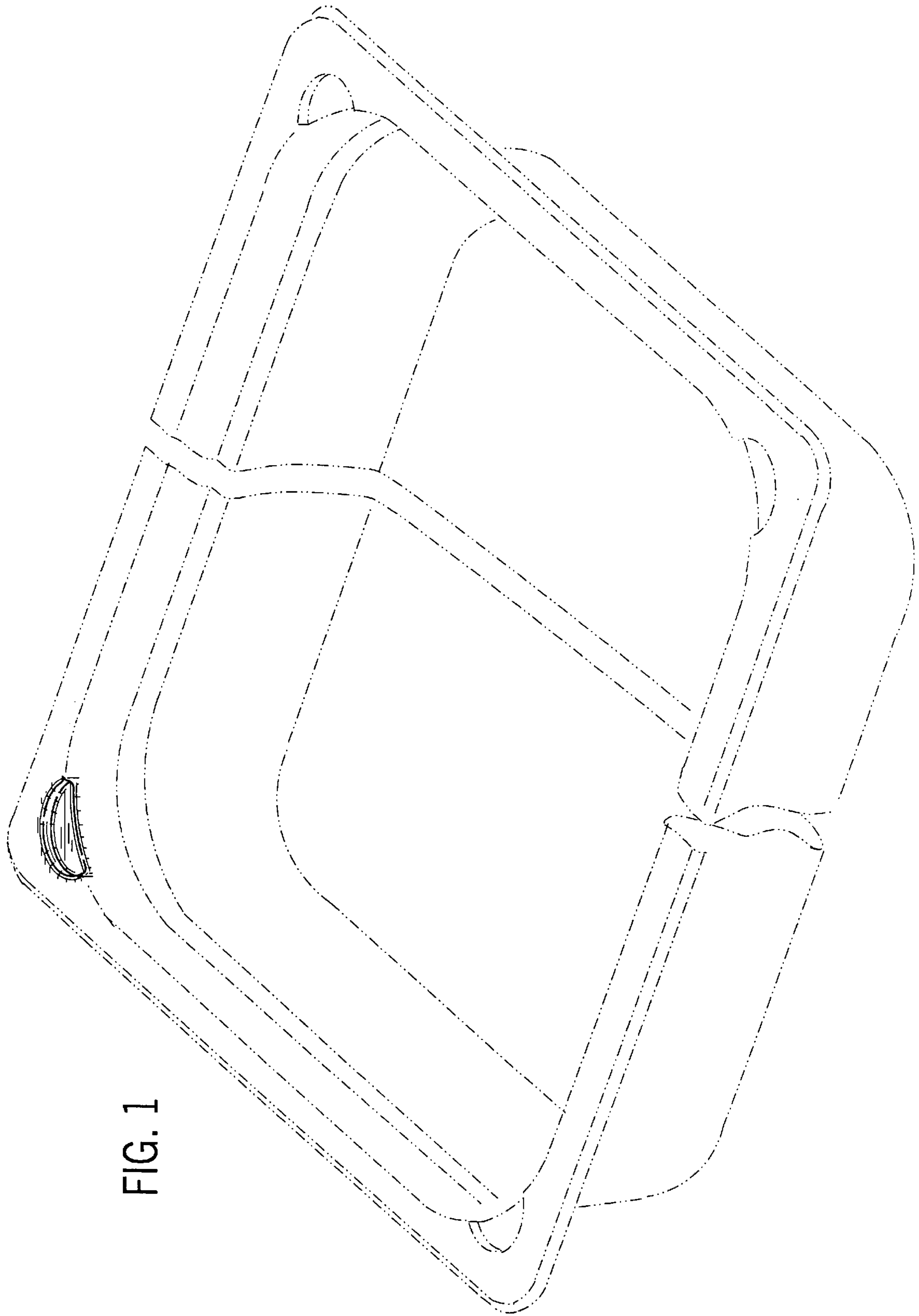


FIG. 1

FIG. 2

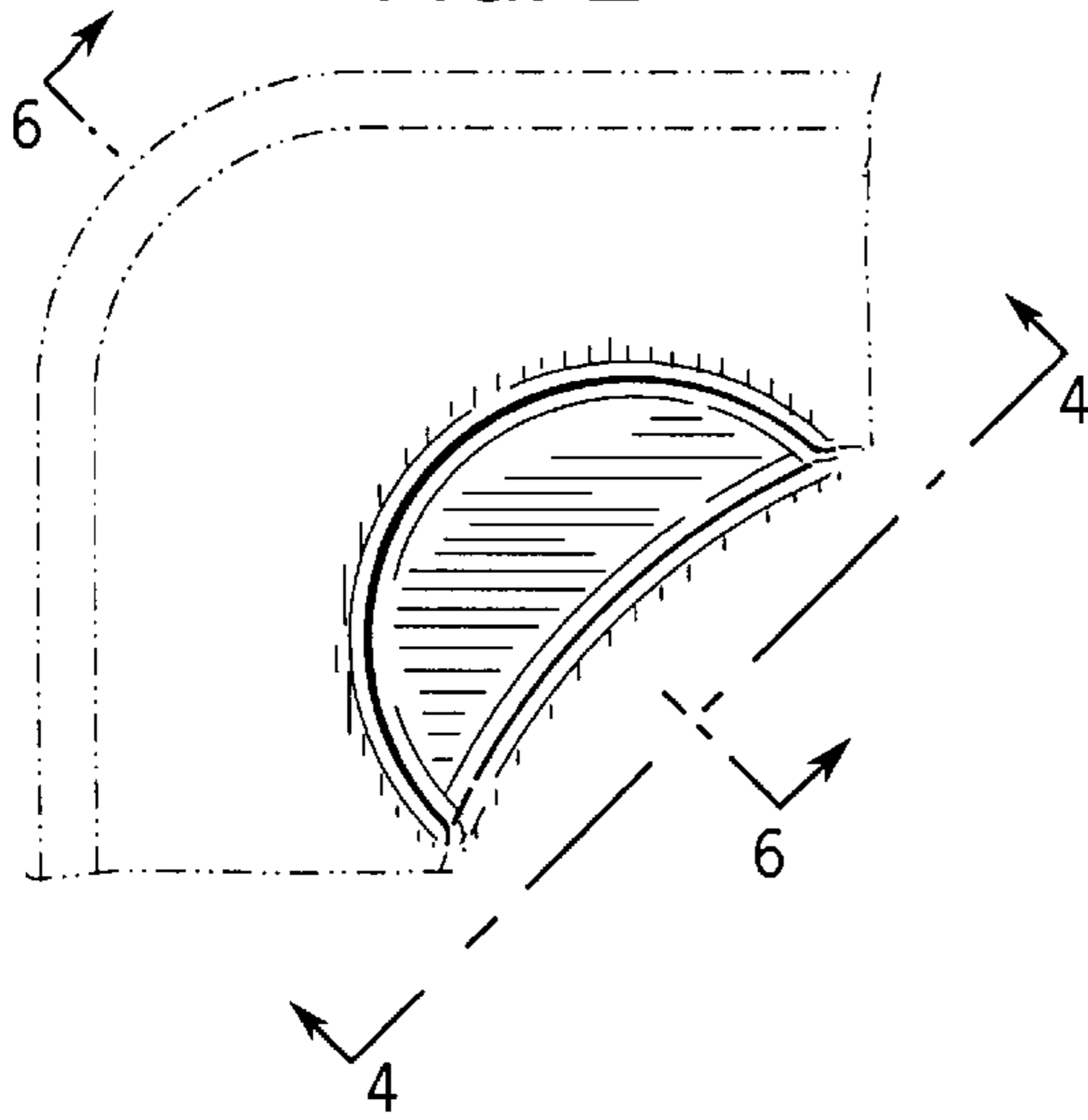


FIG. 3



FIG. 4

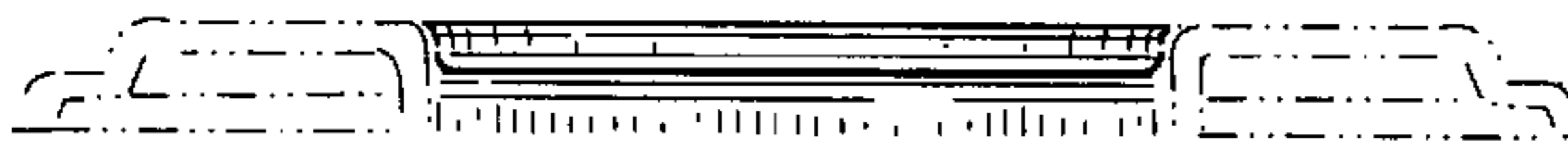


FIG. 5

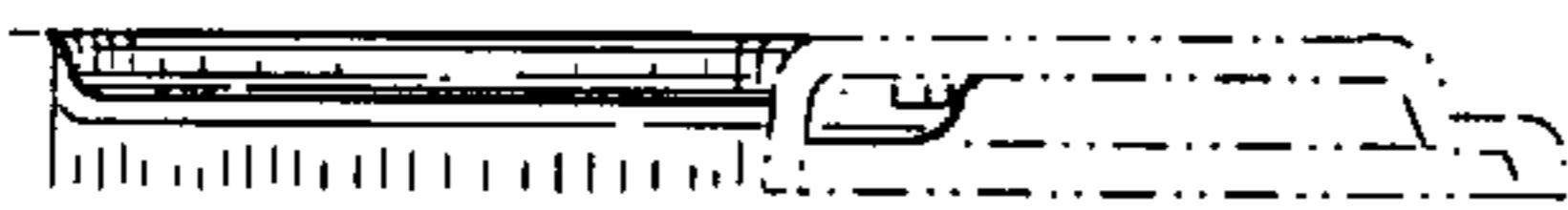


FIG. 6

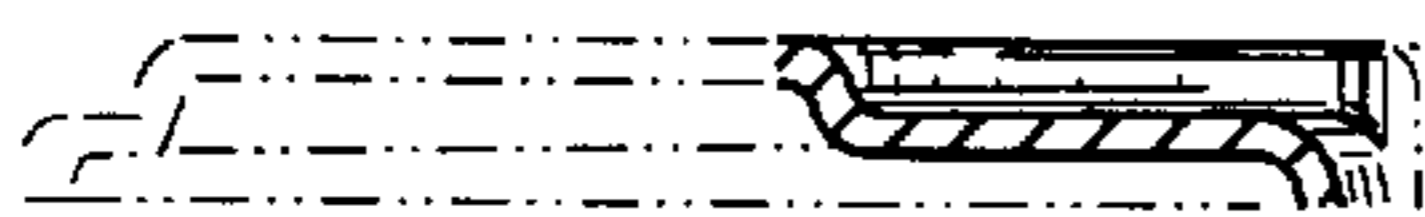


FIG. 8

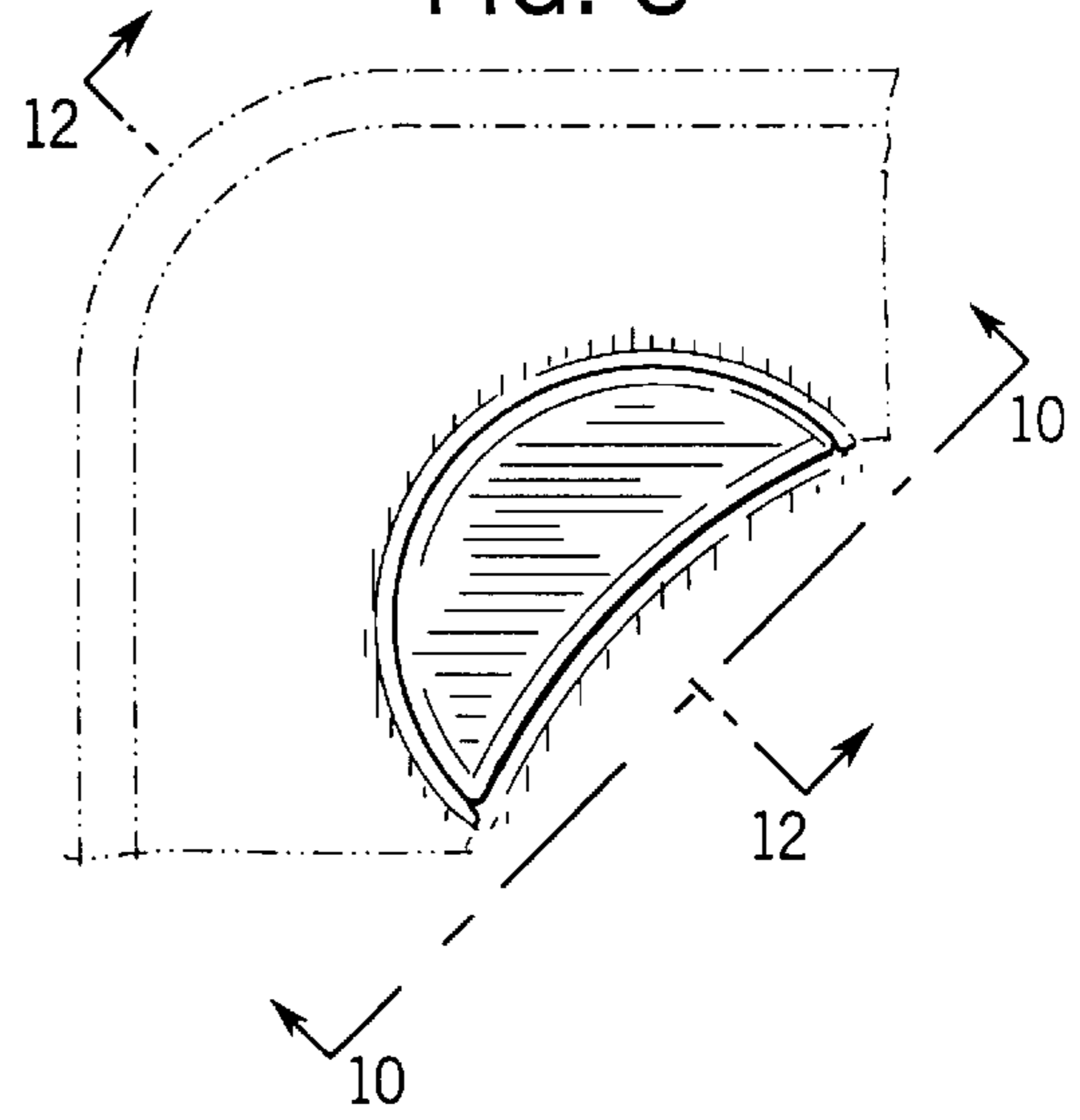


FIG. 9

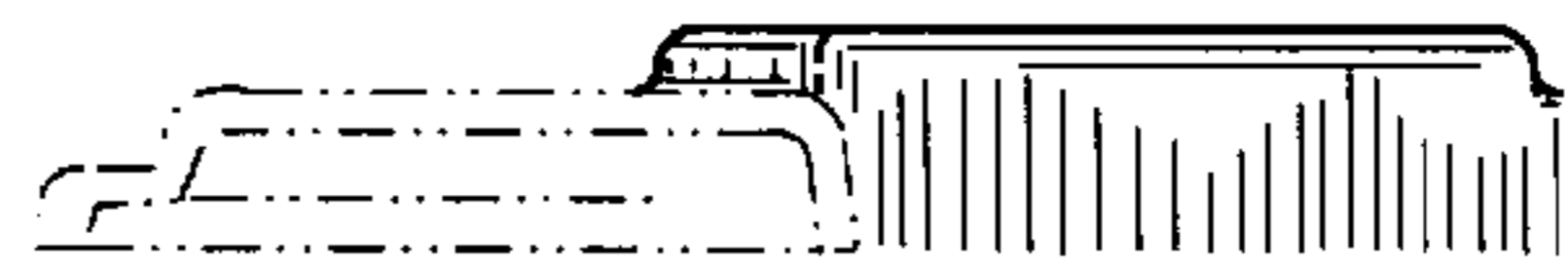


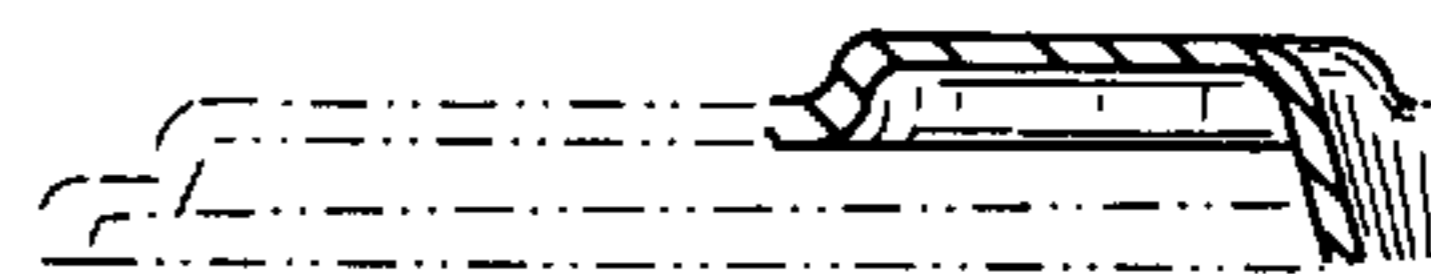
FIG. 10



FIG. 11



FIG. 12



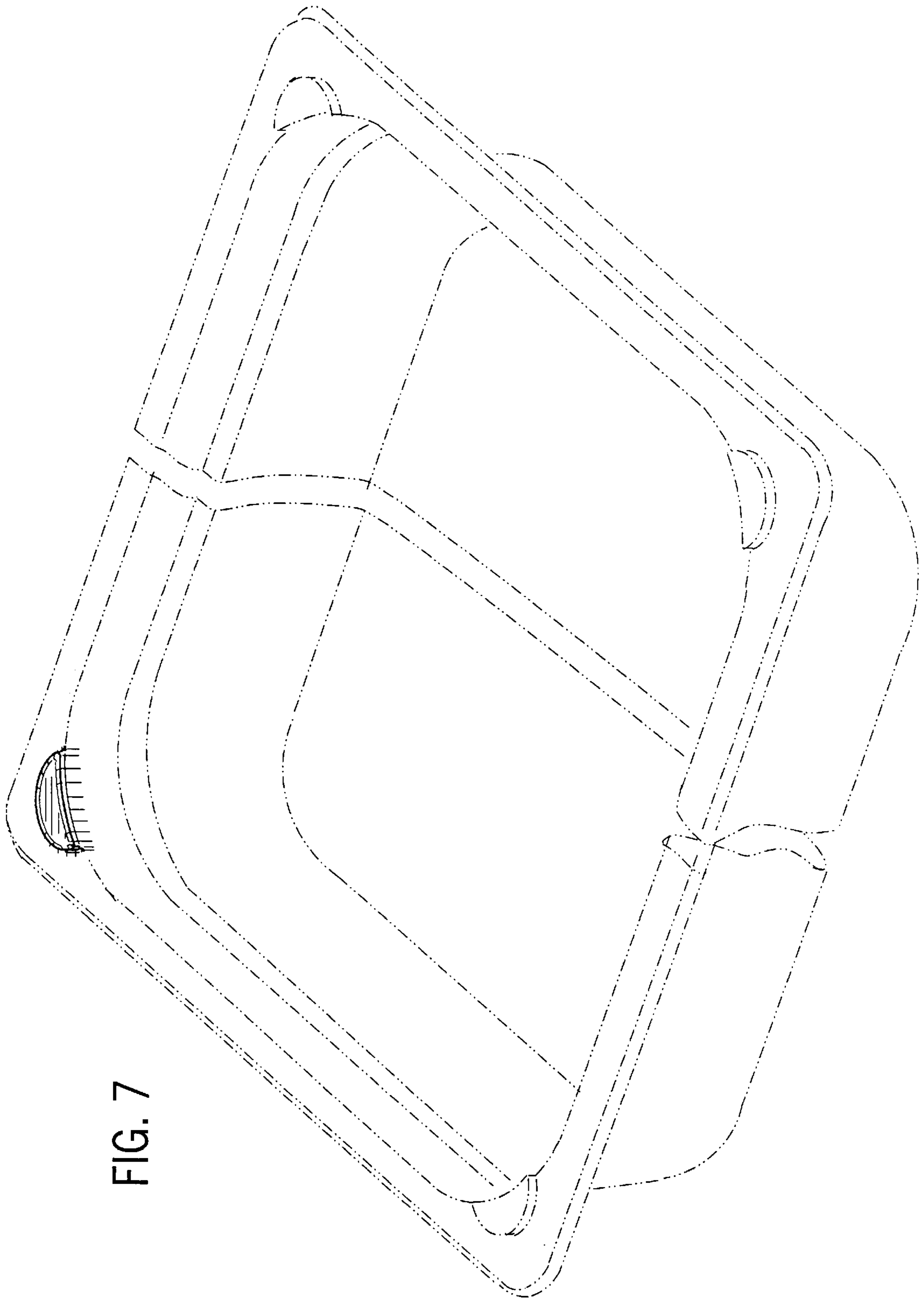


FIG. 7