



US00D427481S

United States Patent [19] De' Longhi

[11] **Patent Number: Des. 427,481**

[45] **Date of Patent: ** Jul. 4, 2000**

[54] **FOOD FRYER**

D. 369,505 5/1996 Philippe D7/354
D. 395,980 7/1998 Boisselier D7/354

[75] Inventor: **Giuseppe De' Longhi**, Treviso, Italy

[73] Assignee: **De' Longhi S.p.A.**, Treviso, Italy

[**] Term: **14 Years**

Primary Examiner—Caron D. Veynar
Attorney, Agent, or Firm—Herbert Dubno

[21] Appl. No.: **29/107,243**

[22] Filed: **Jun. 30, 1999**

[57] **CLAIM**

The ornamental design for a food fryer, as shown.

[30] **Foreign Application Priority Data**

Dec. 30, 1998 [IT] Italy MI98O0806

DESCRIPTION

[51] **LOC (7) Cl.** **07-02**

[52] **U.S. Cl.** **D7/354**

[58] **Field of Search** D7/323, 354, 358,
D7/360; 99/331, 336, 385, 403, 410, 411,
413; 219/429, 432, 438, 440

FIG. 1 is a front, right side, top perspective view of a food fryer showing my new design;

FIG. 2 is a front elevational view thereof;

FIG. 3 is a rear elevational view thereof;

FIG. 4 is a left side elevational view thereof;

FIG. 5 is a right side elevational view thereof;

FIG. 6 is a top plan view thereof; and,

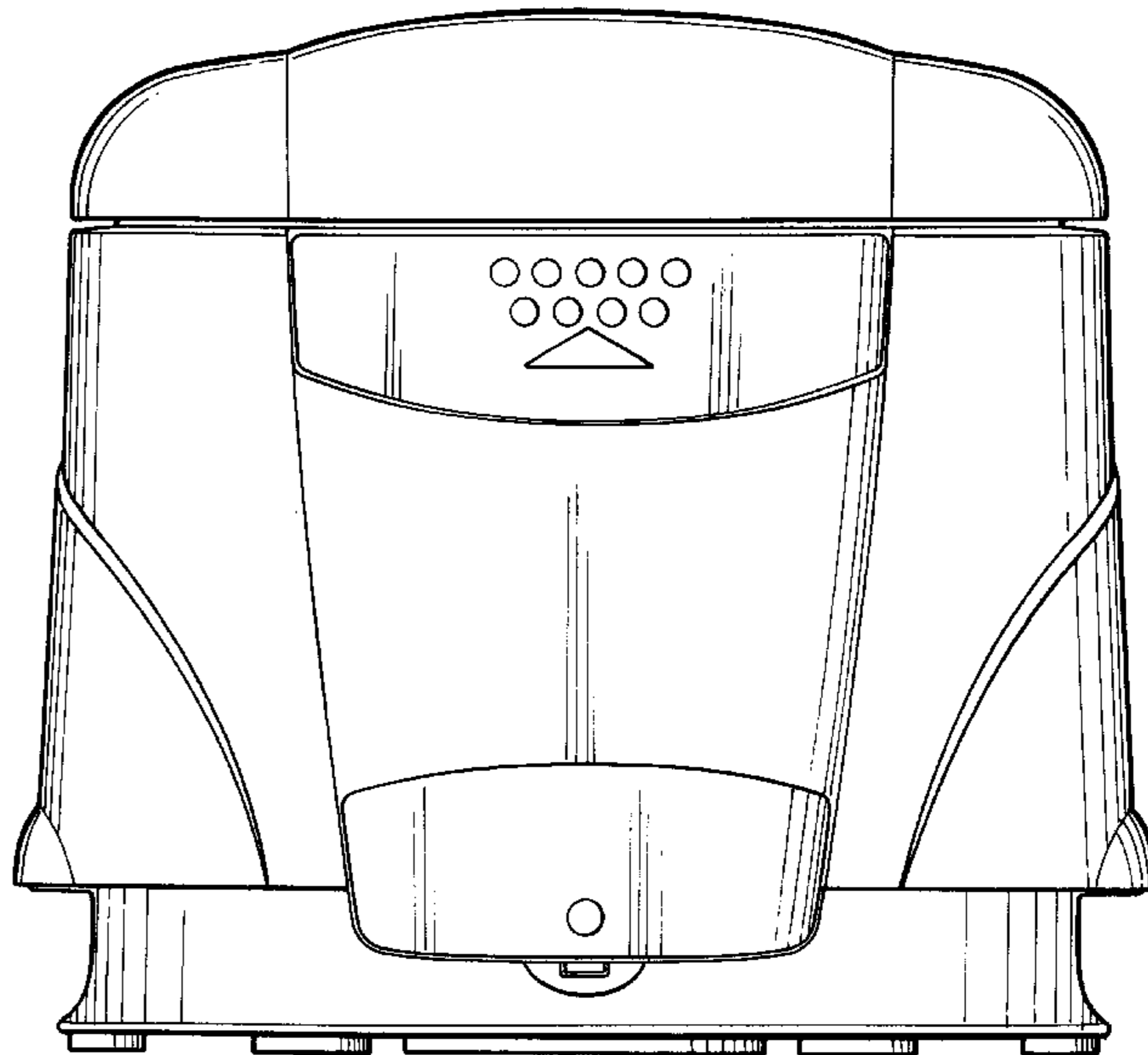
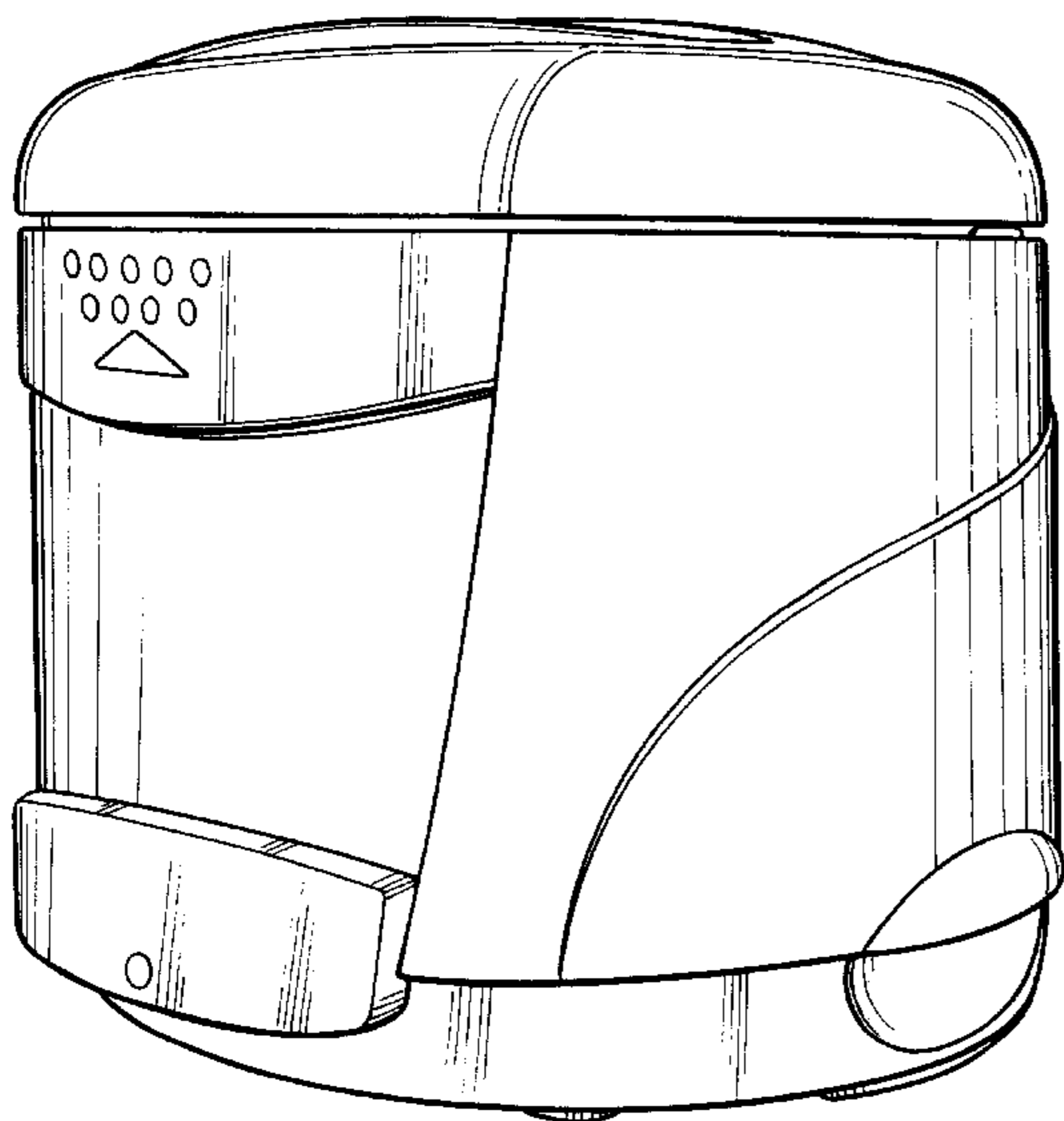
FIG. 7 is a bottom plan view thereof.

[56] **References Cited**

U.S. PATENT DOCUMENTS

D. 369,270 4/1996 Payen D7/354

1 Claim, 7 Drawing Sheets



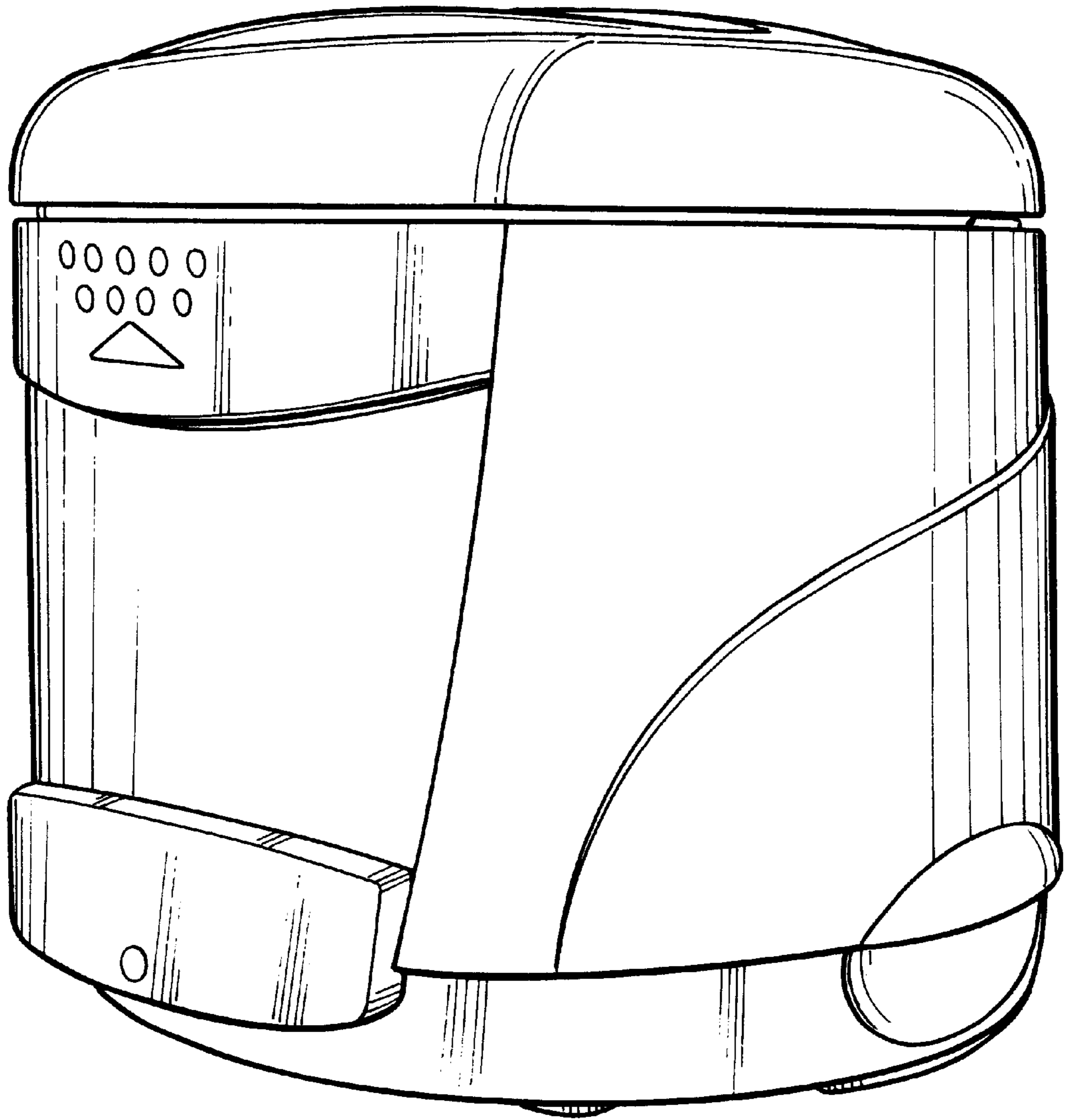


FIG. 1

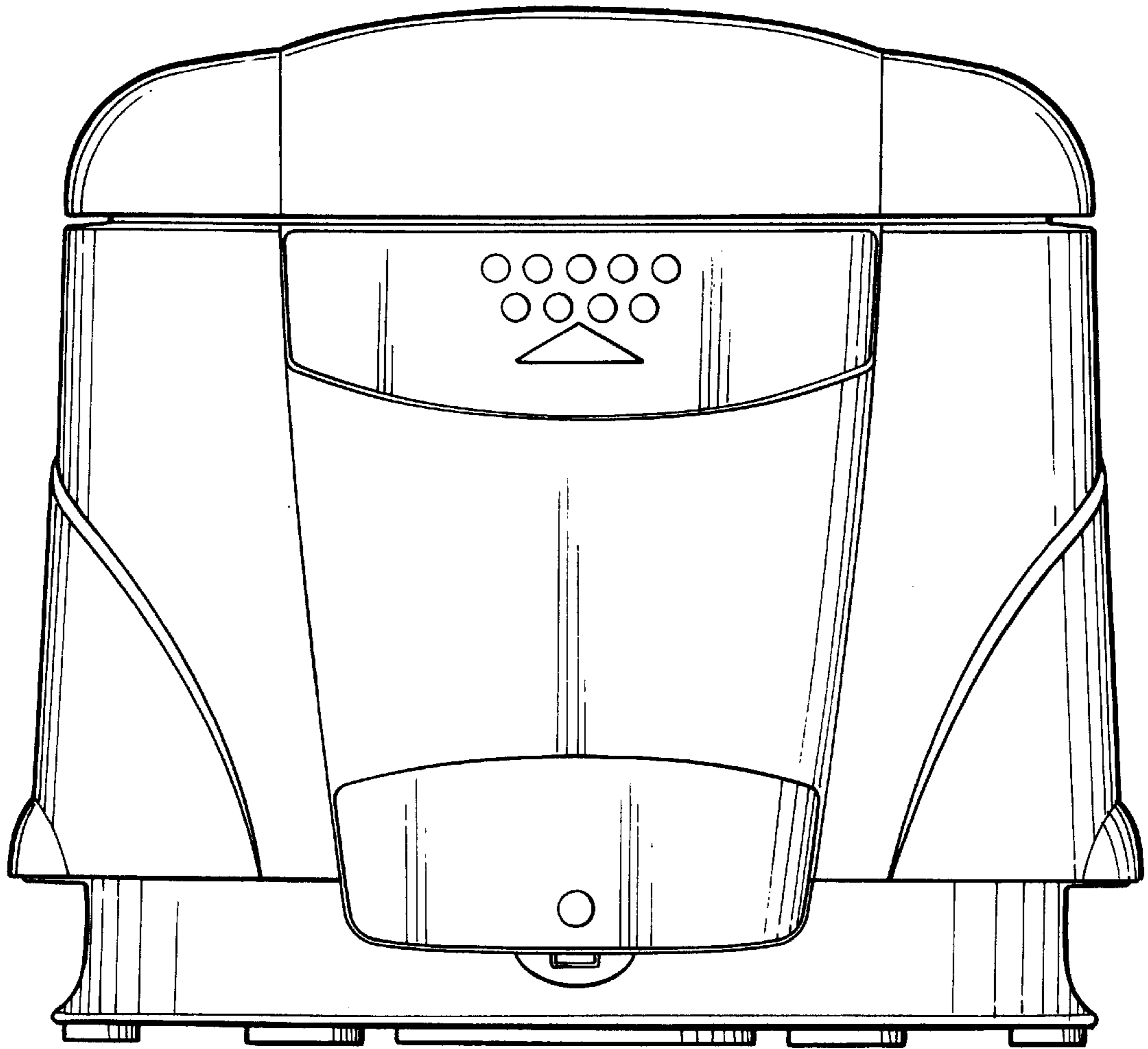


FIG. 2

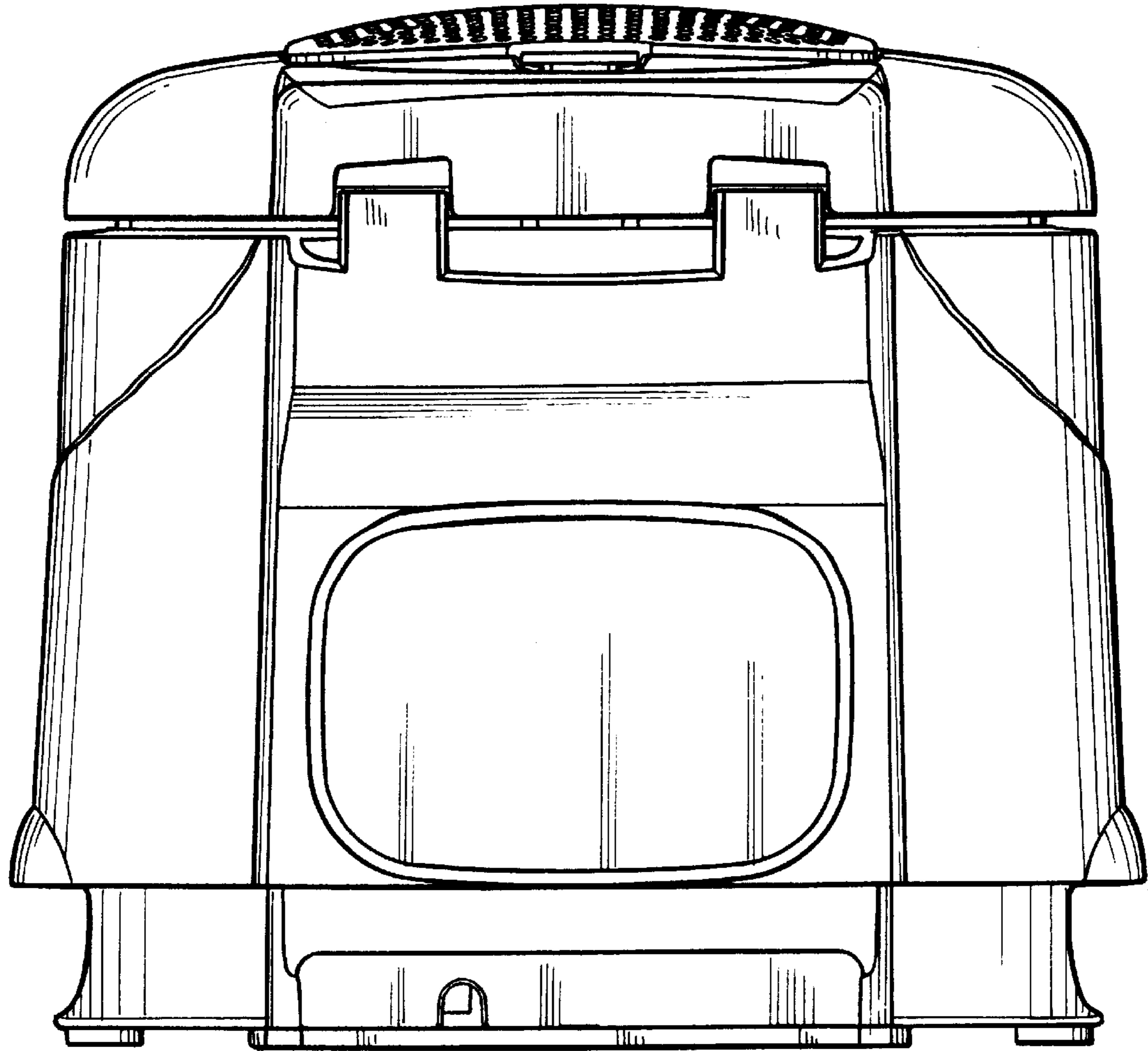
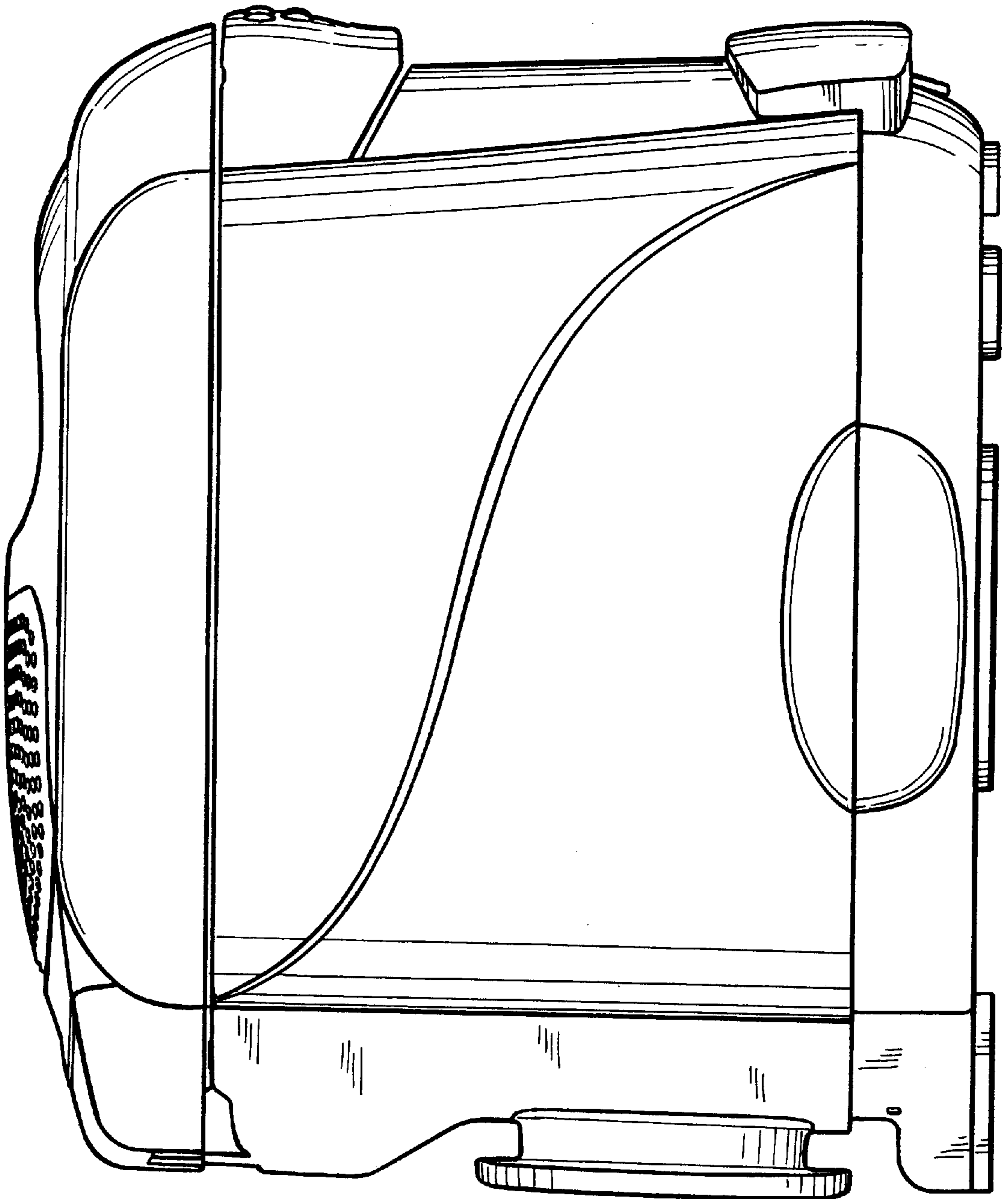


FIG. 3

FIG. 4



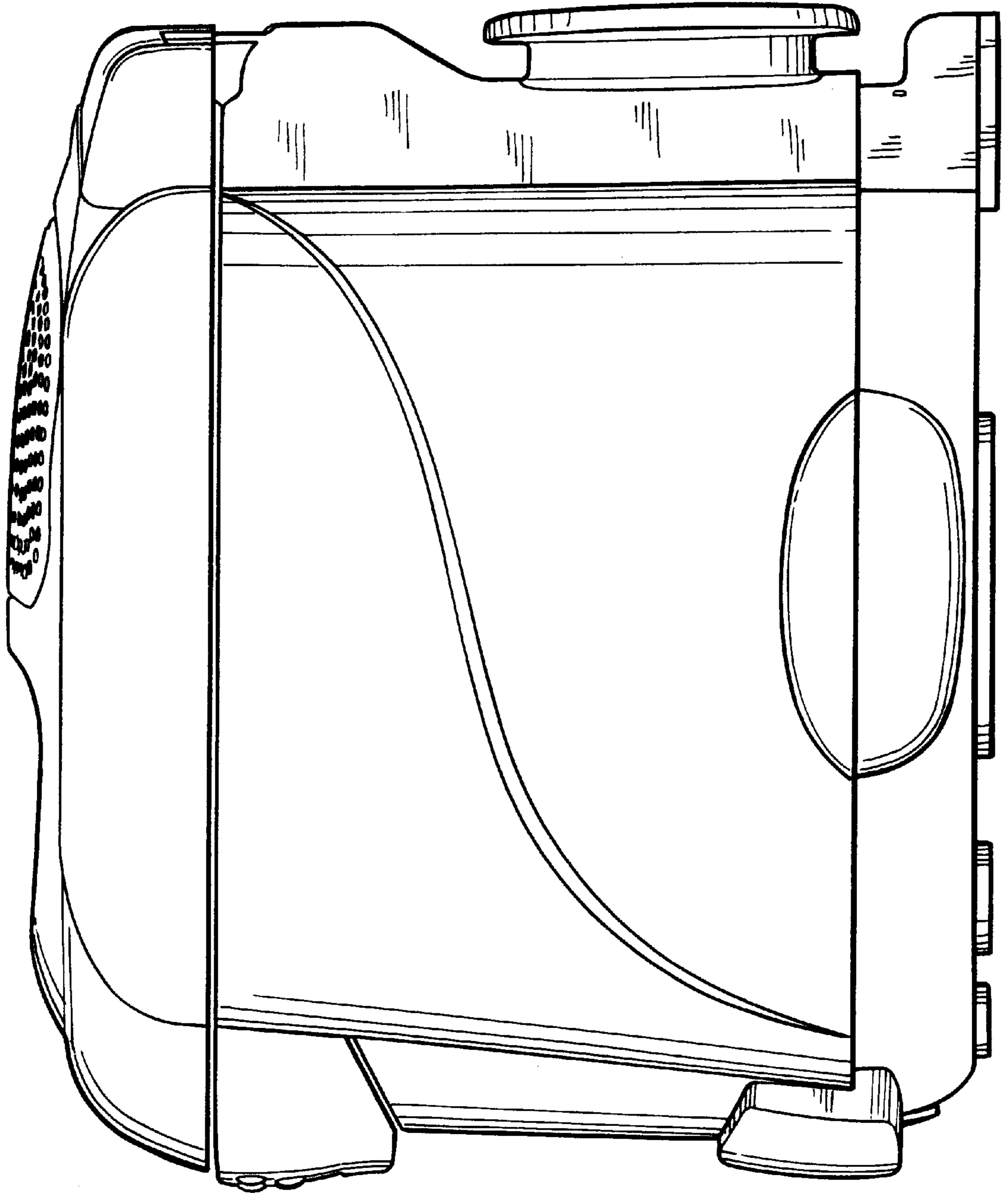


FIG. 5

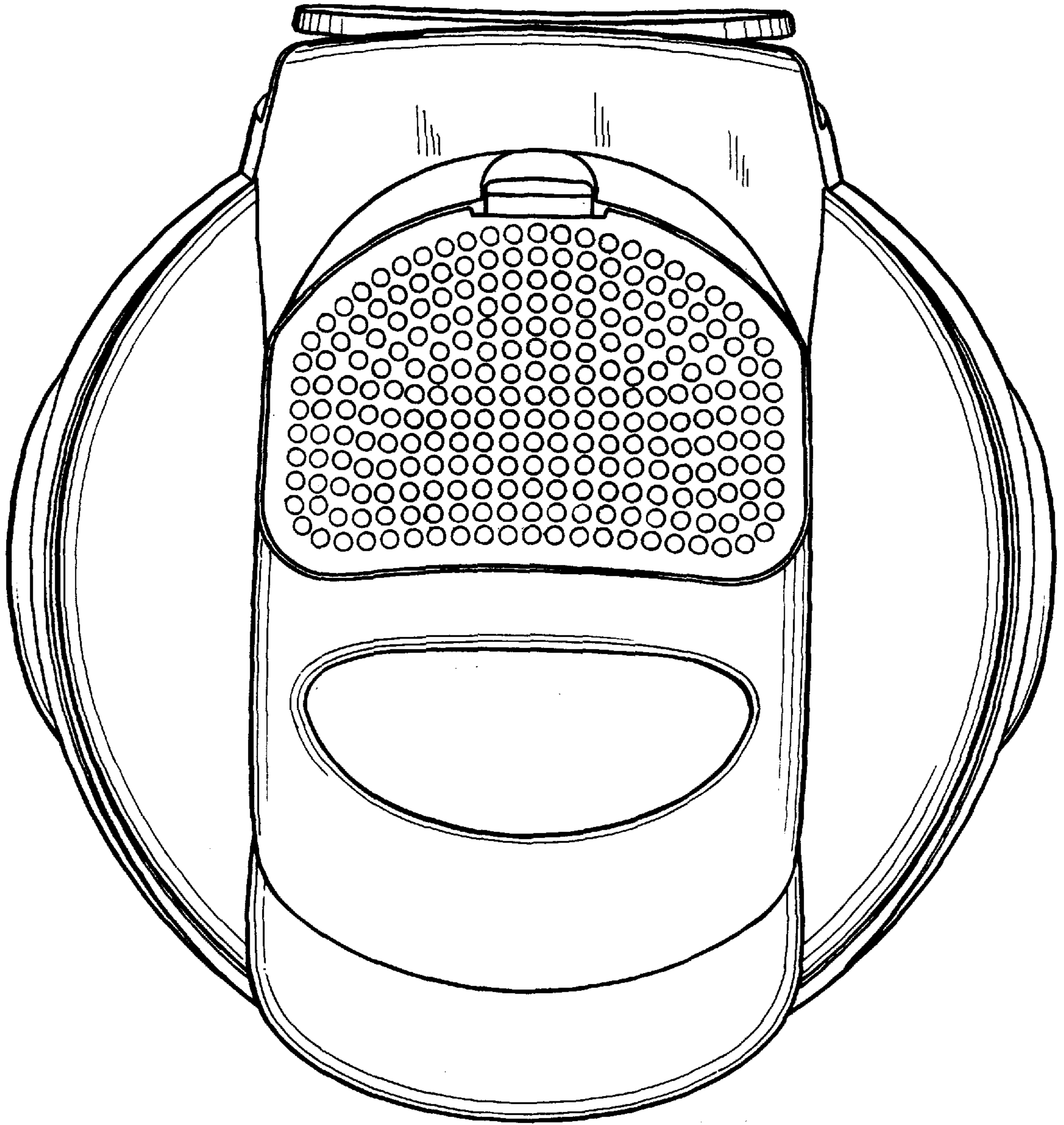


FIG. 6

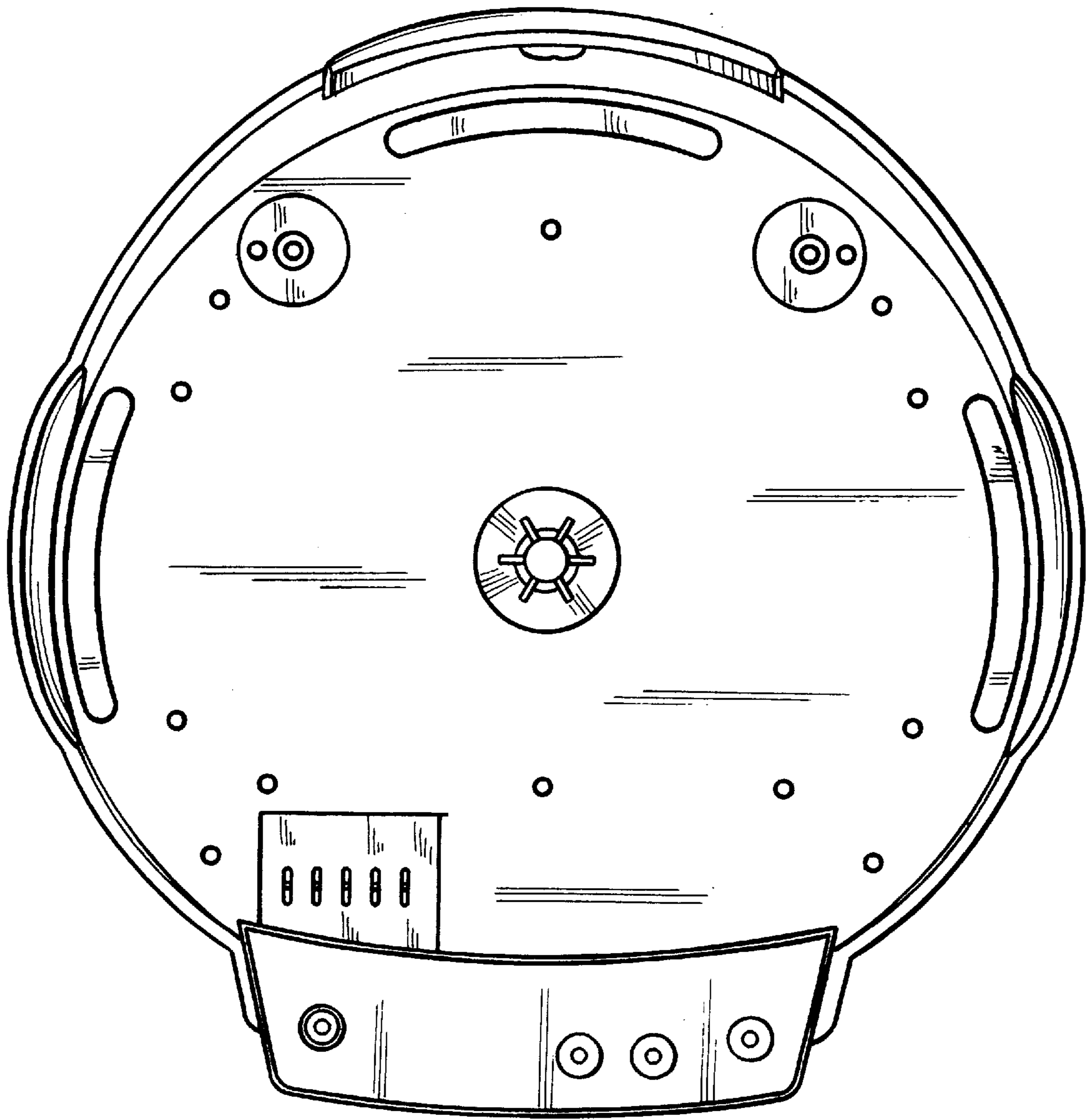


FIG. 7