



US00D427479S

United States Patent [19]
Wasner

[11] **Patent Number: Des. 427,479**
[45] **Date of Patent: ** Jul. 4, 2000**

[54] **HEATED FOOD PRODUCT BIN**

DESCRIPTION

[75] Inventor: **James Michael Wasner**, Shreveport, La.

FIG. 1 is a perspective view of a heated food product bin showing my new design;

[73] Assignee: **The Frymaster Corporation**, Shreveport, La.

FIG. 2 is a top plan view thereof;

FIG. 3 is a side elevational view thereof;

[**] Term: **14 Years**

FIG. 4 is front elevational view thereof;

FIG. 5 is a rear elevational view thereof;

[21] Appl. No.: **29/099,045**

FIG. 6 is a perspective view of a second embodiment of a heated food product bin showing my new design;

[22] Filed: **Jan. 12, 1999**

FIG. 7 is a top plan view thereof;

FIG. 8 is a side elevational view thereof;

FIG. 9 is a front elevational view thereof;

Related U.S. Application Data

FIG. 10 is a rear elevational view thereof;

[63] Continuation-in-part of application No. 29/093,440, Sep. 10, 1998.

FIG. 11 is a perspective view of a third embodiment of a heated food product bin showing my new design;

[51] **LOC (7) Cl.** **07-02**

FIG. 12 is a top plan view thereof;

[52] **U.S. Cl.** **D7/339**

FIG. 13 is a side elevational view thereof;

[58] **Field of Search** D7/362, 363, 402; 126/39 B, 39 J, 152 R, 211, 214 C, 214 R, 215, 216; 206/557; 219/214, 443.1, 444.1, 448.11, 460.1

FIG. 14 is a front elevational view thereof;

FIG. 15 is a rear elevational view thereof;

[56] **References Cited**

FIG. 16 is a perspective view of a fourth embodiment of a heated food product bin showing my new design;

U.S. PATENT DOCUMENTS

FIG. 17 is a top plan view thereof;

5,549,100 8/1996 Heisner et al. 126/39 J

FIG. 18 is a side elevational view thereof;

Primary Examiner—Robert M. Spear
Attorney, Agent, or Firm—Ohlandt, Greeley, Ruggiero & Perle

FIG. 19 is front elevational view thereof; and,

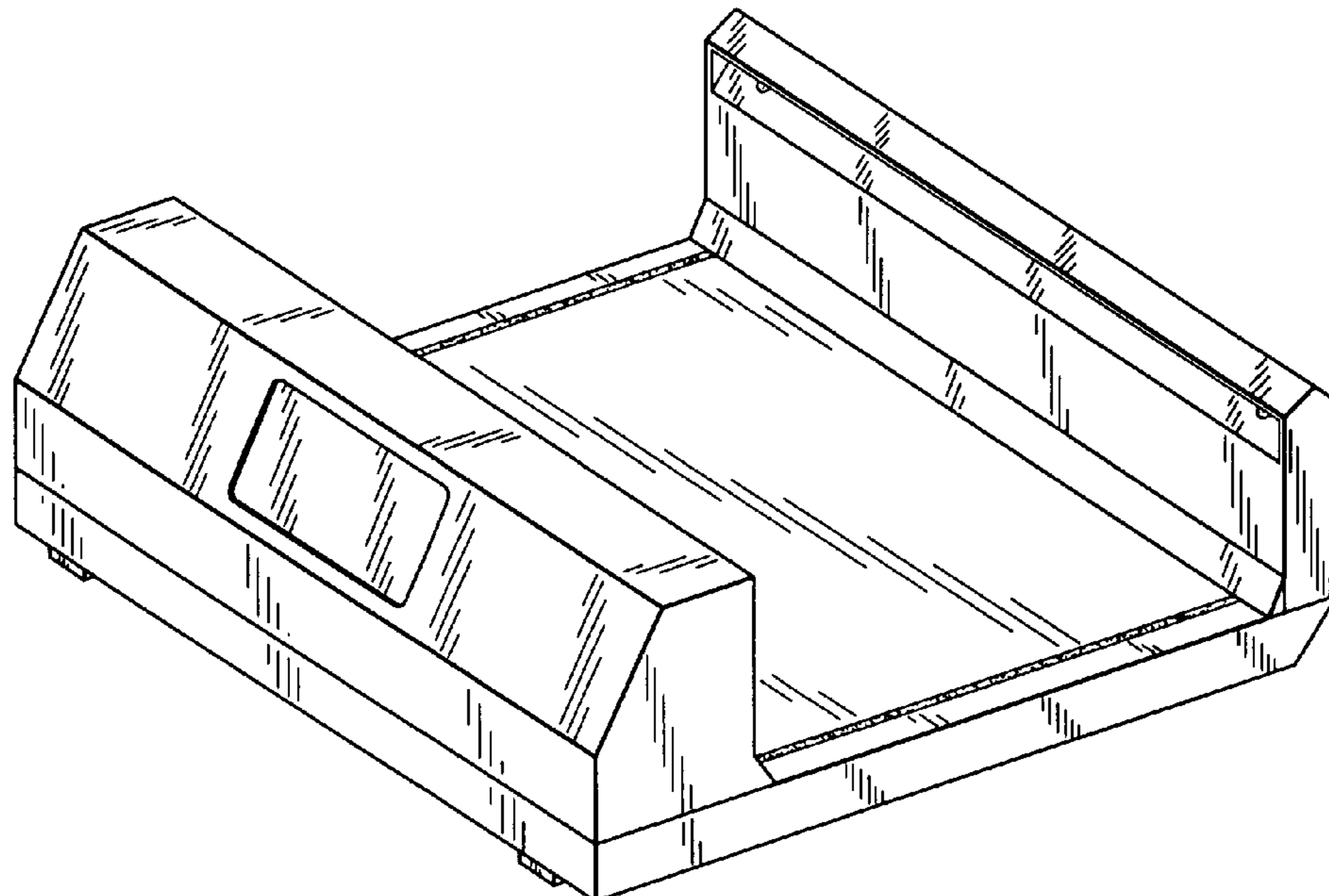
FIG. 20 is a rear elevational view thereof.

The surfaces or portions of the article not shown in the drawings or described in the specification form no part of the claimed design.

[57] **CLAIM**

I claim the ornamental design for a heated food product bin, as shown and described.

1 Claim, 4 Drawing Sheets



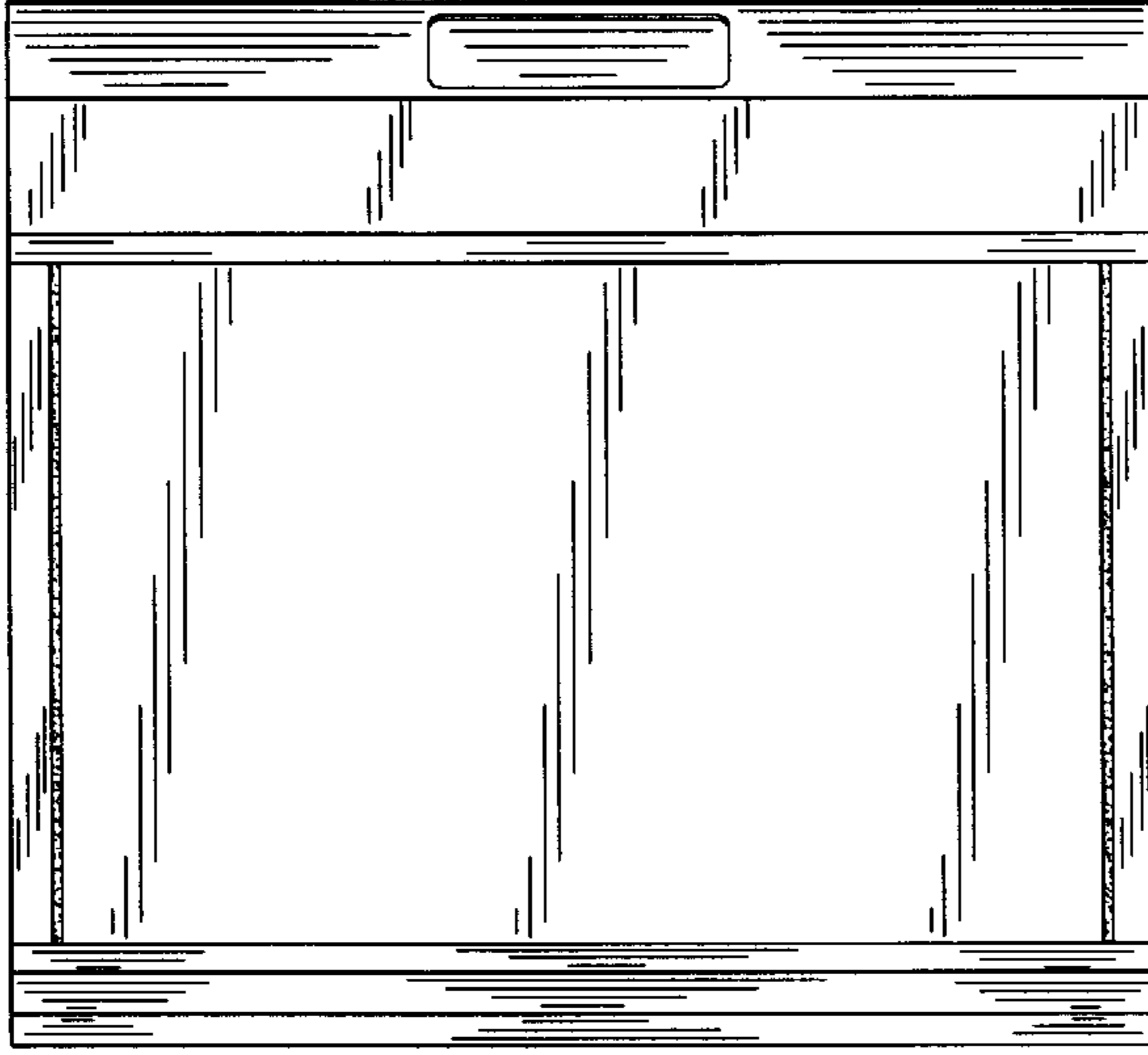


FIG. 2

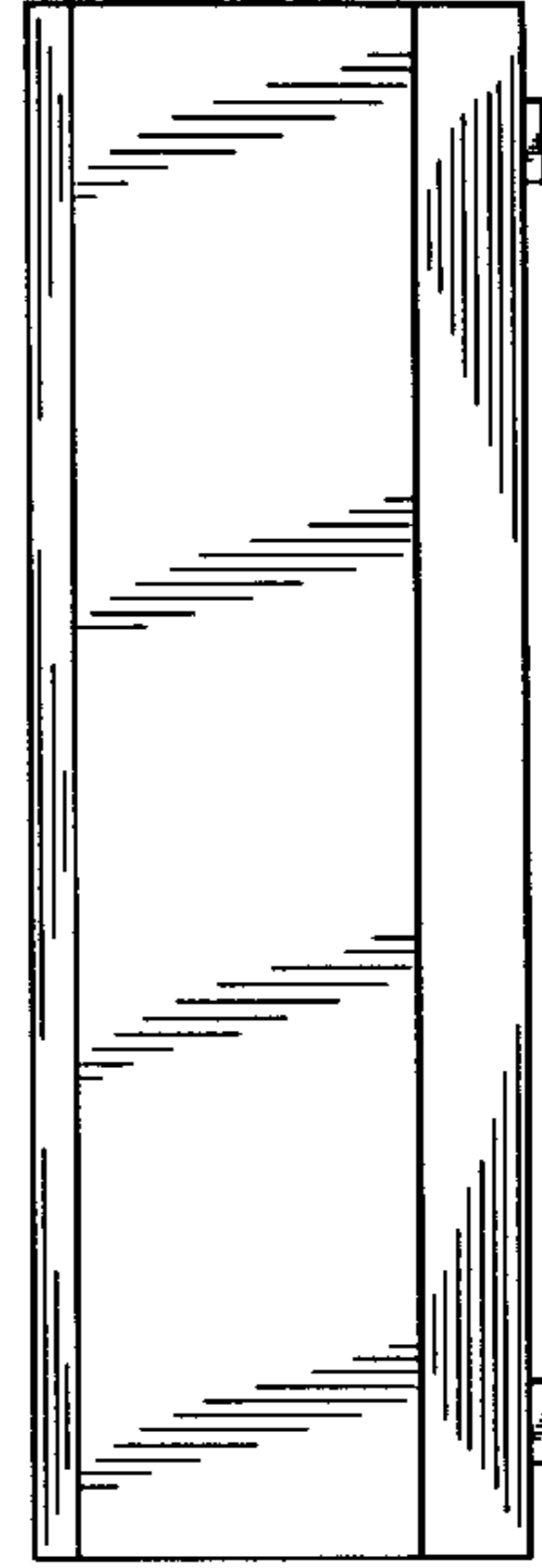


FIG. 5

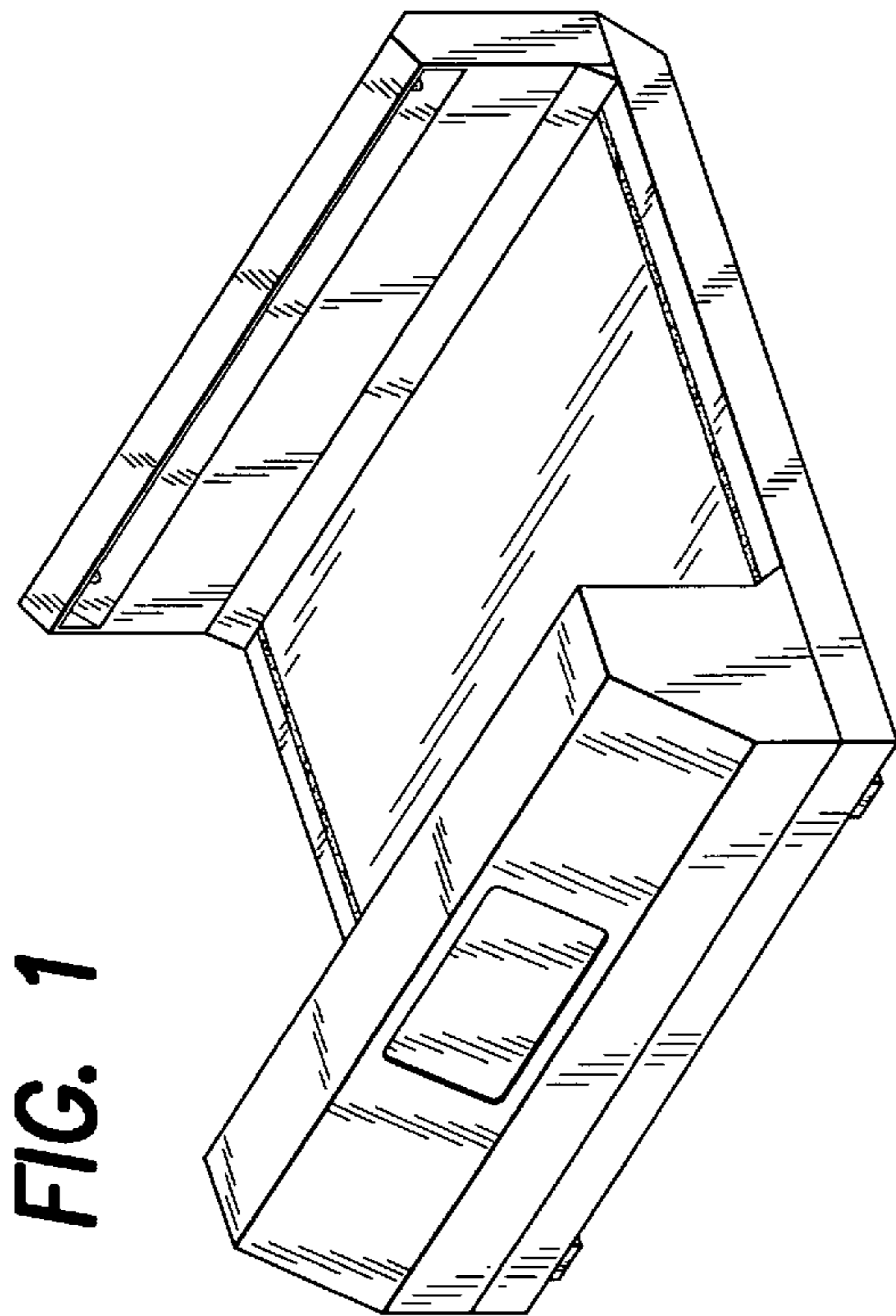


FIG. 1

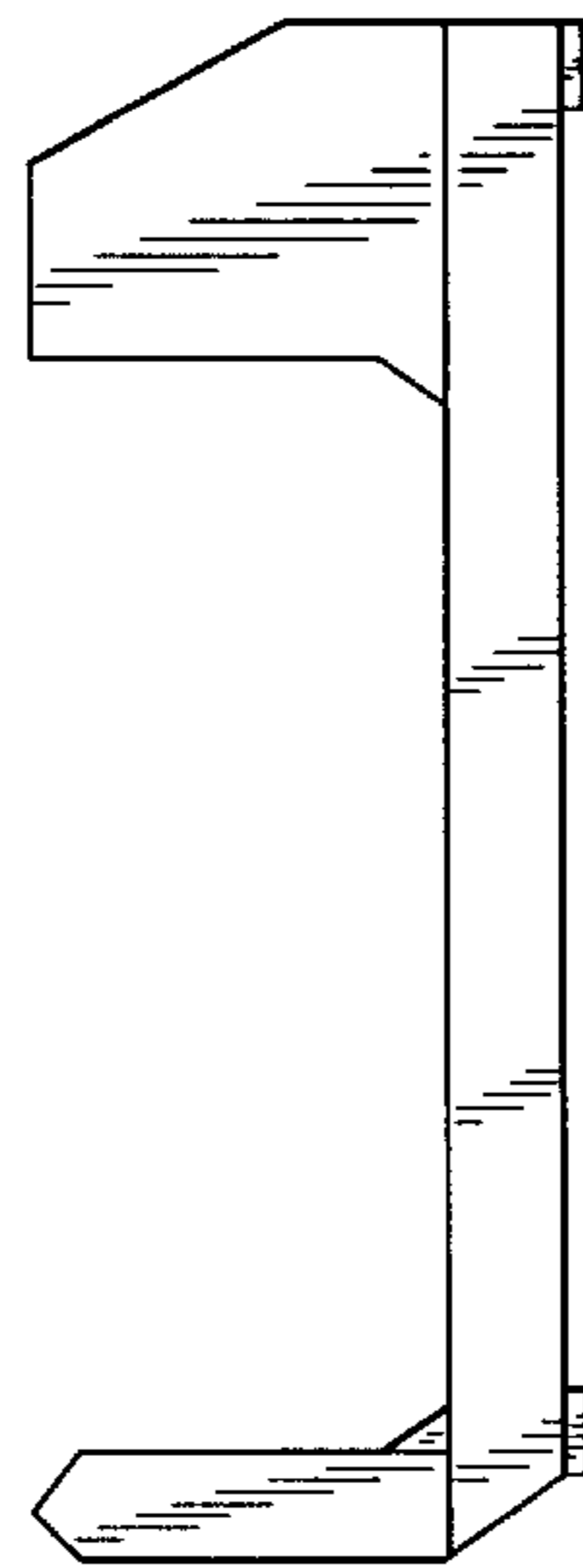


FIG. 3

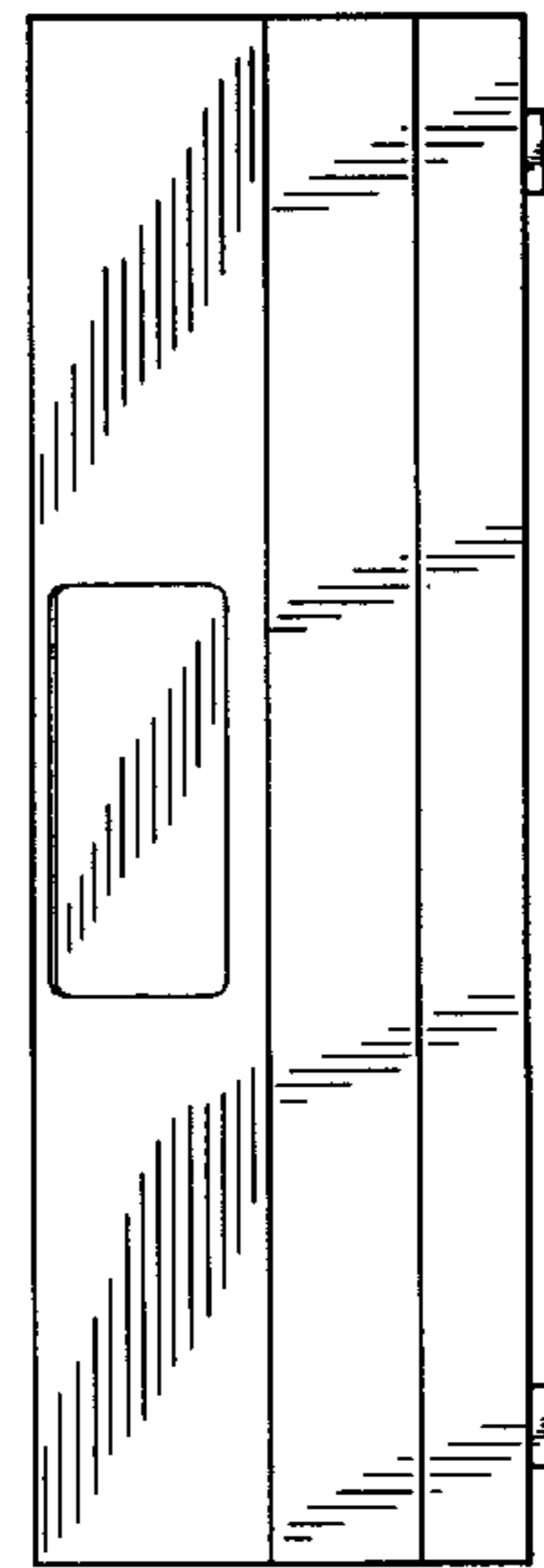


FIG. 4

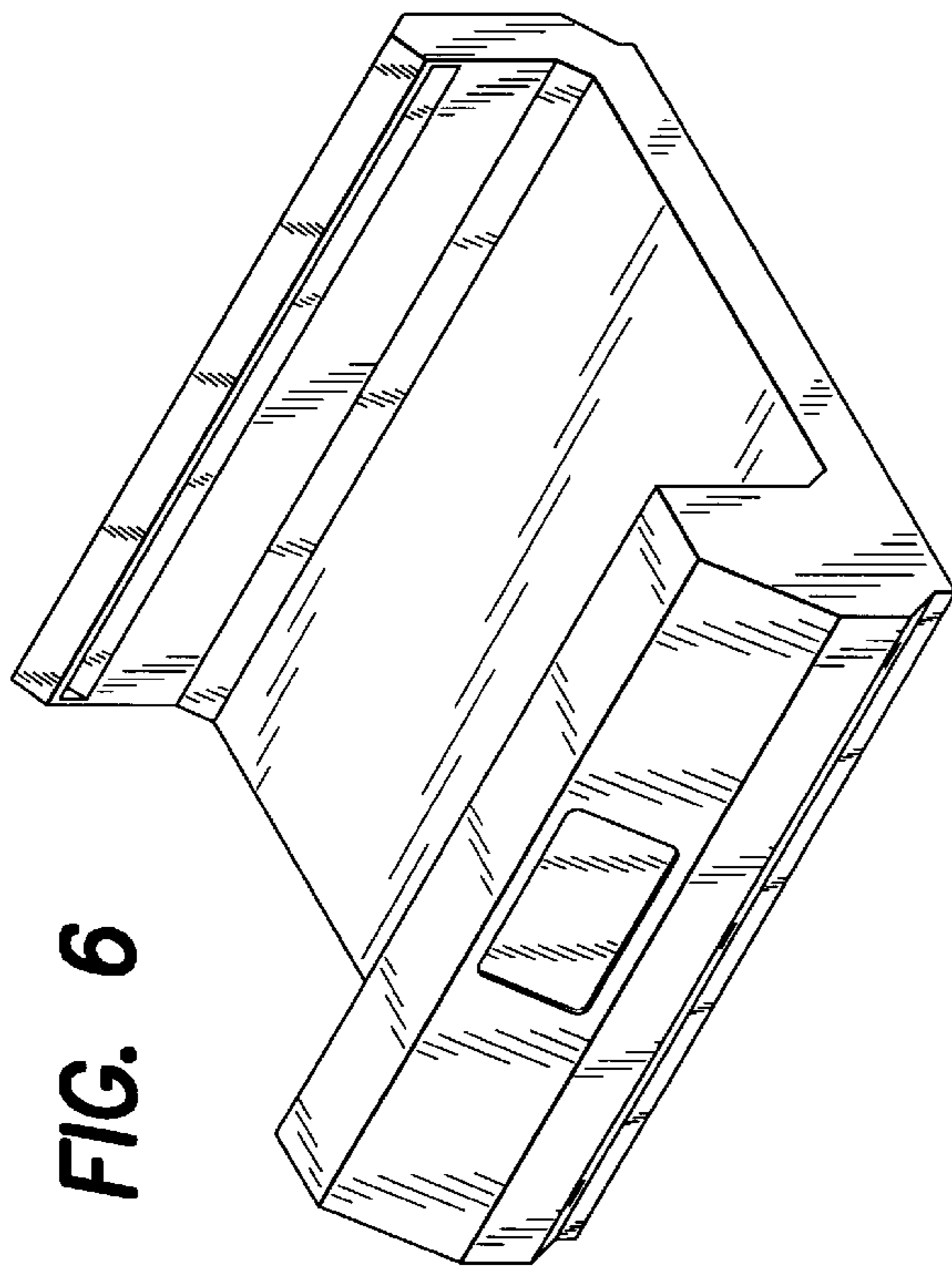


FIG. 6

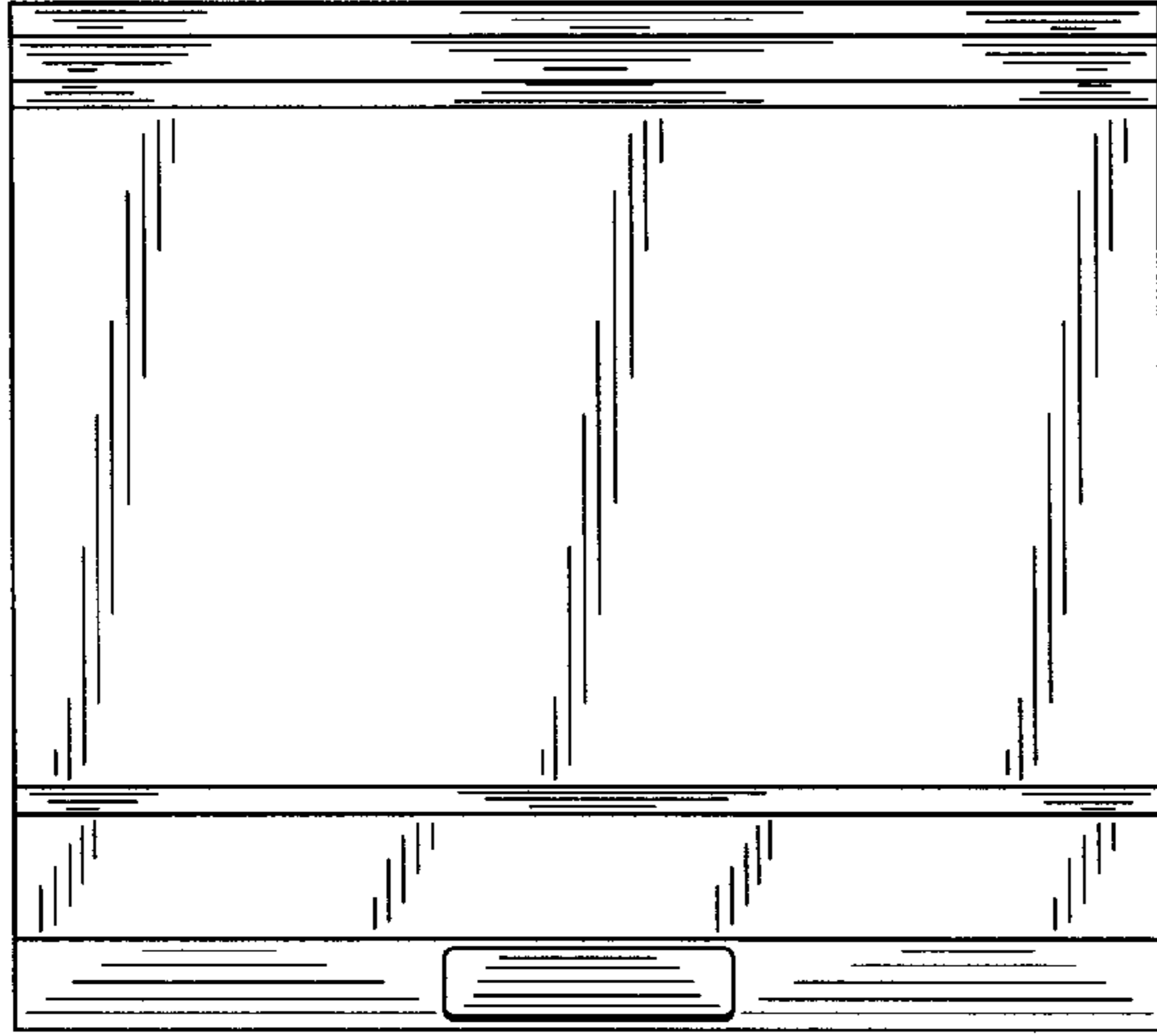


FIG. 7

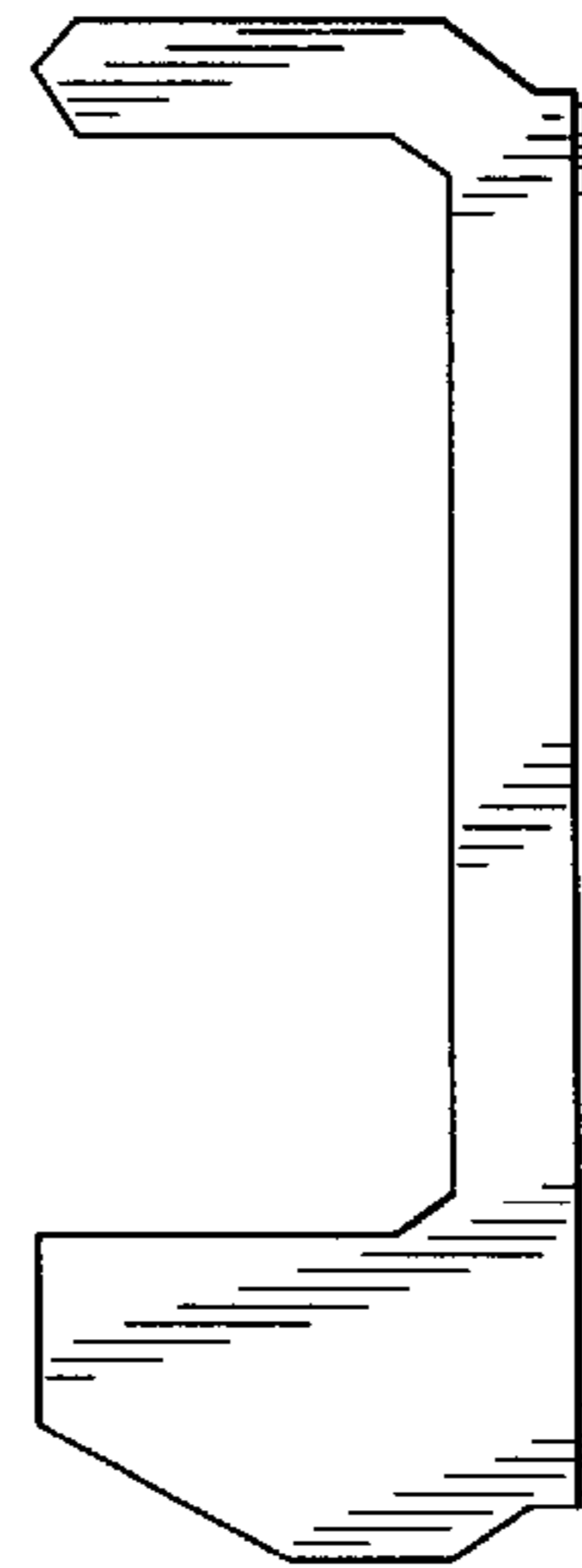


FIG. 8

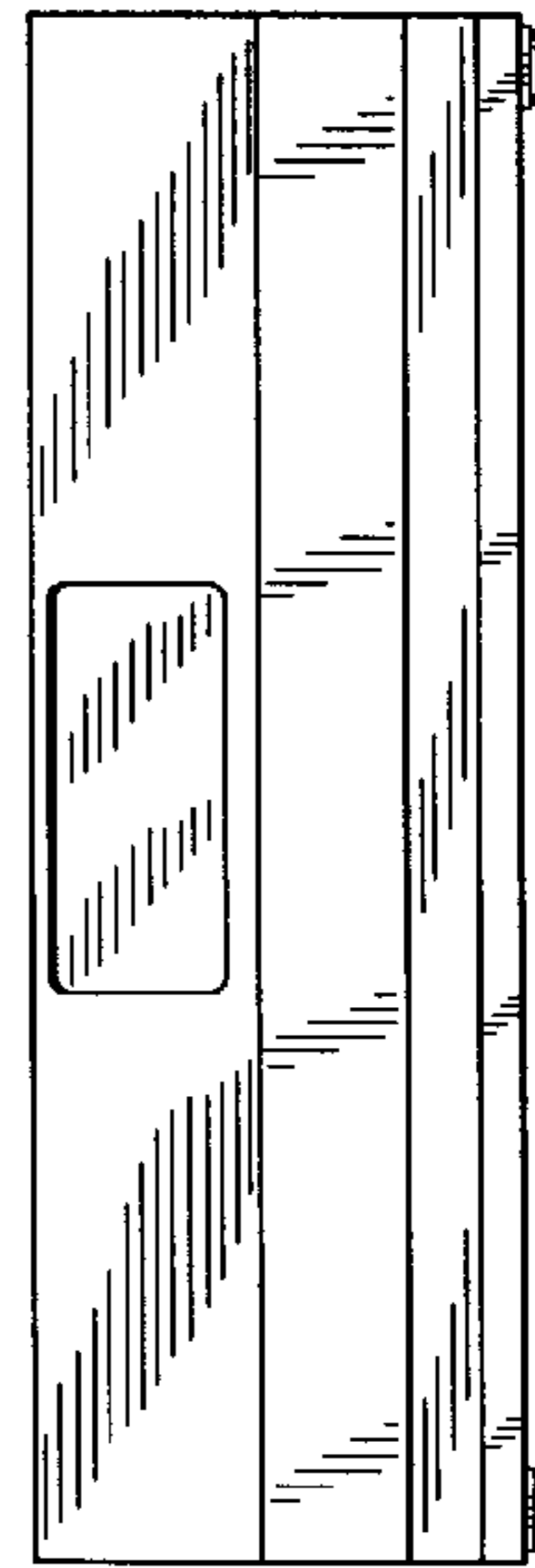


FIG. 9

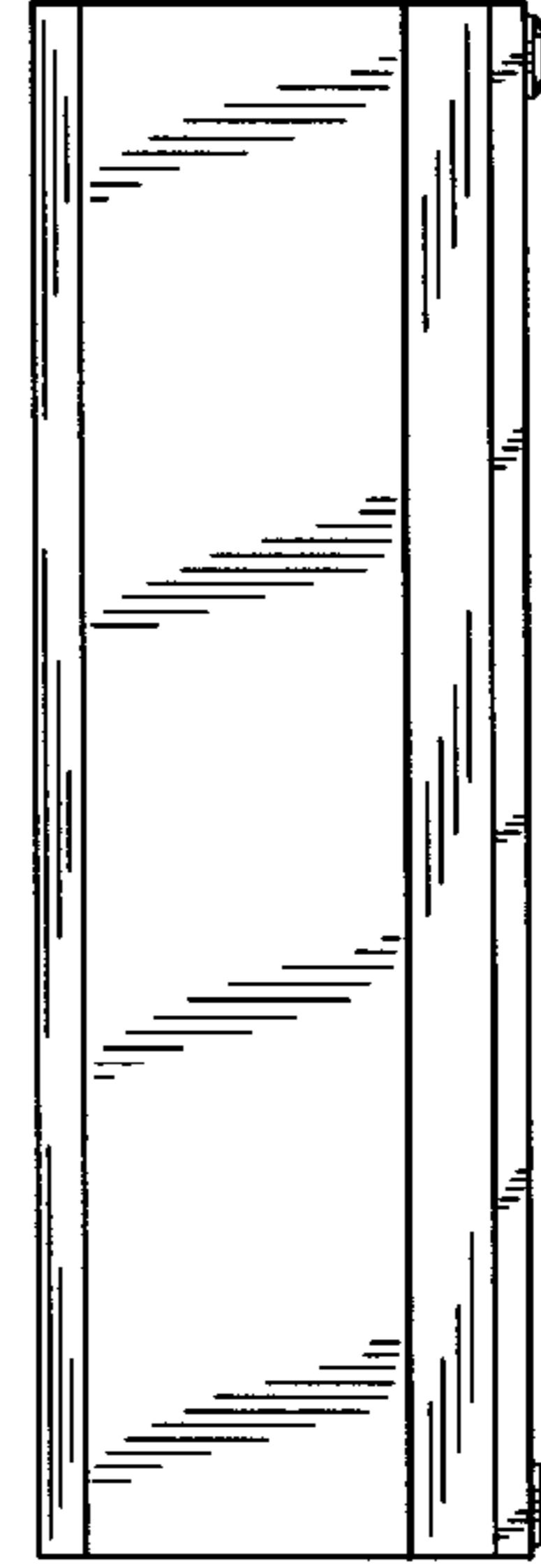


FIG. 10

FIG. 11

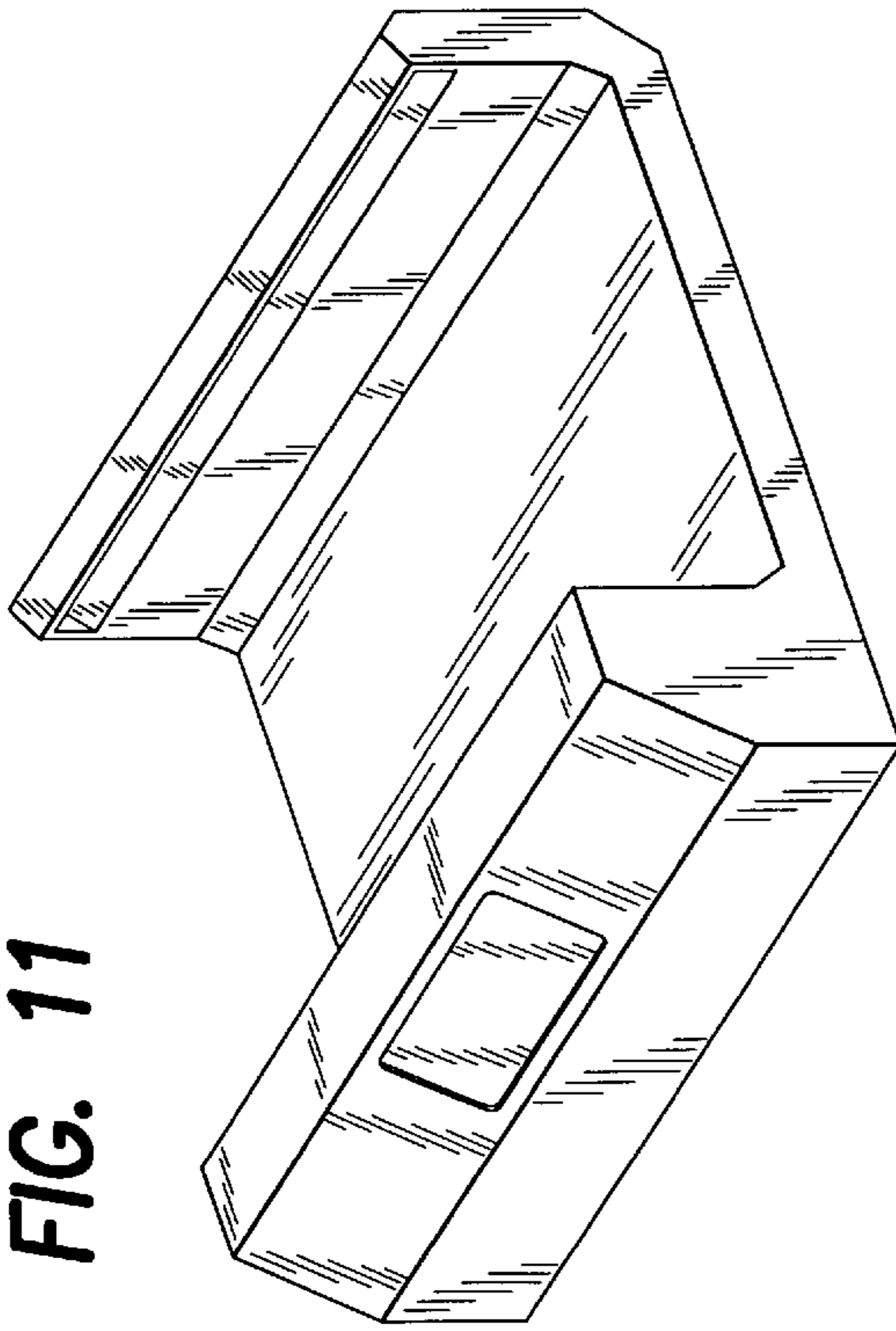


FIG. 13

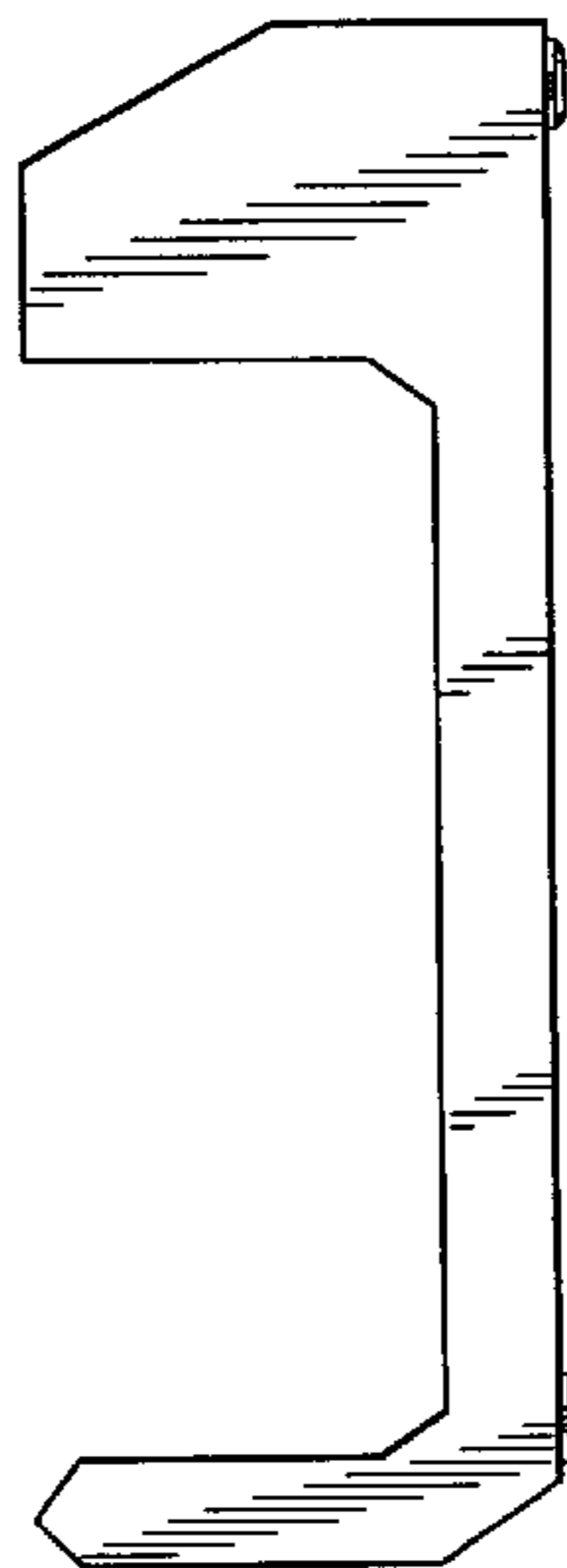


FIG. 12

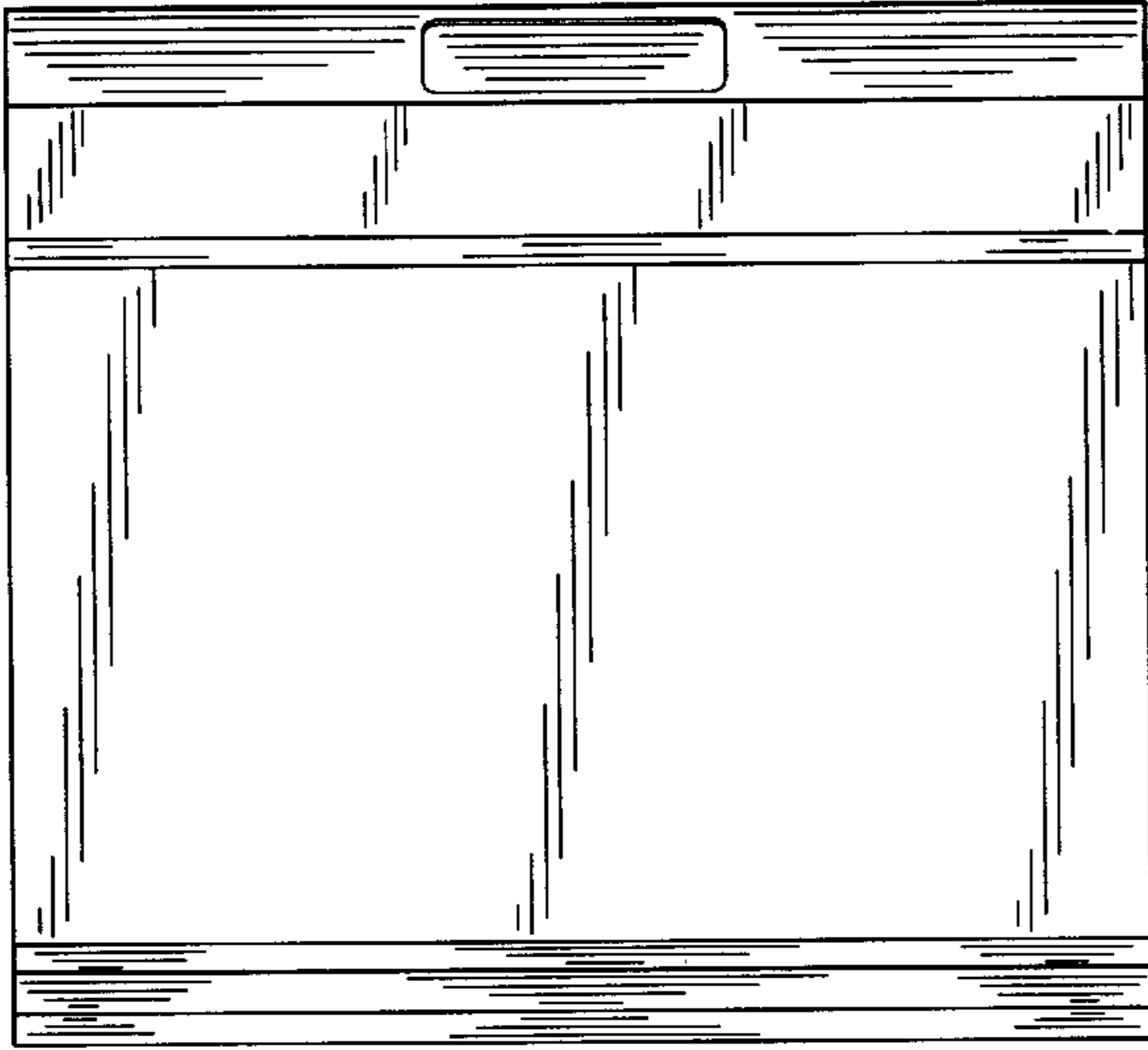


FIG. 14

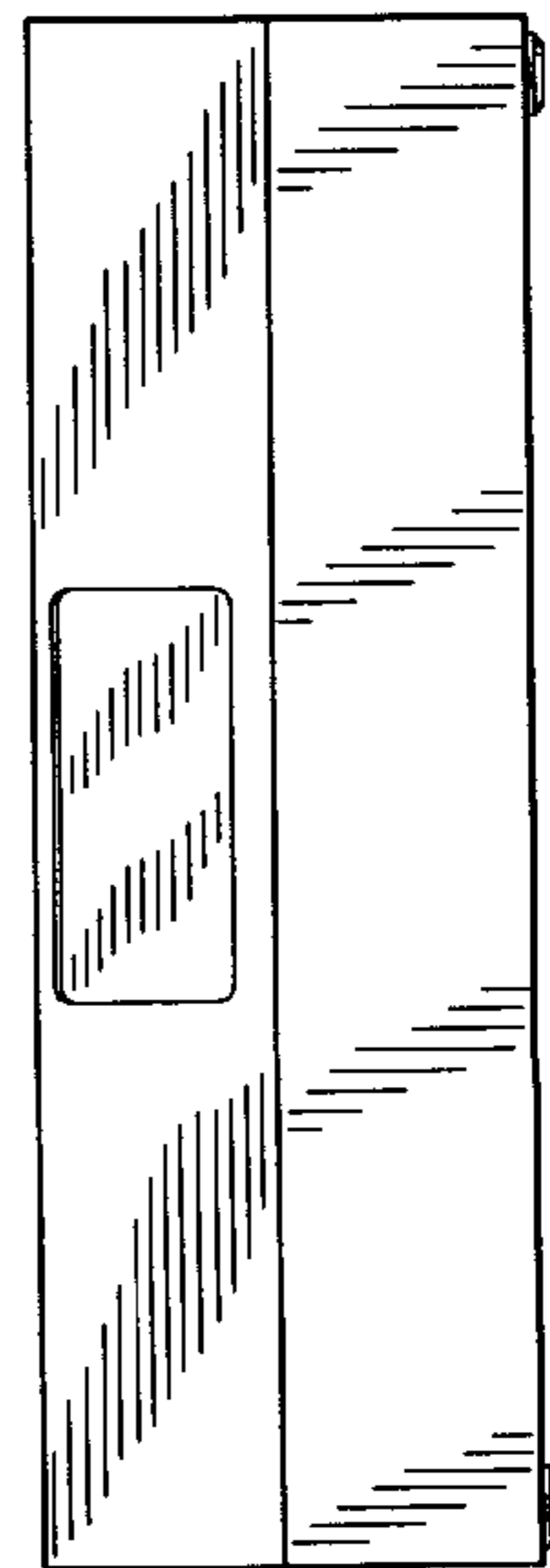
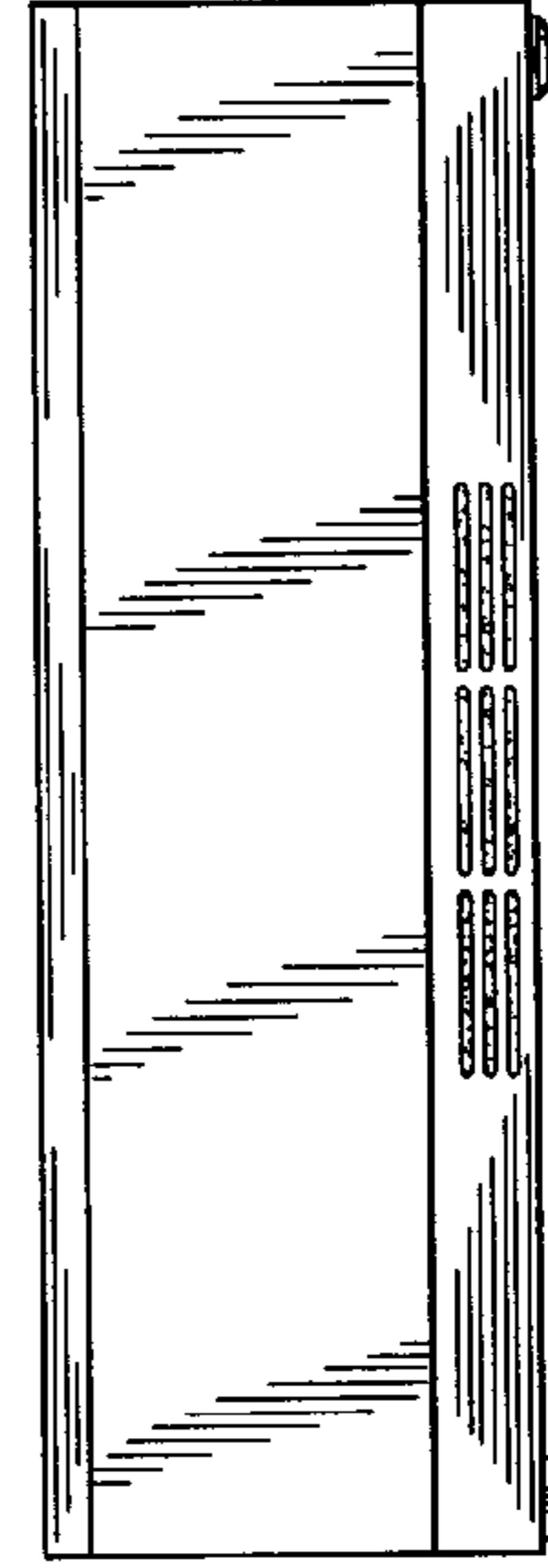


FIG. 15



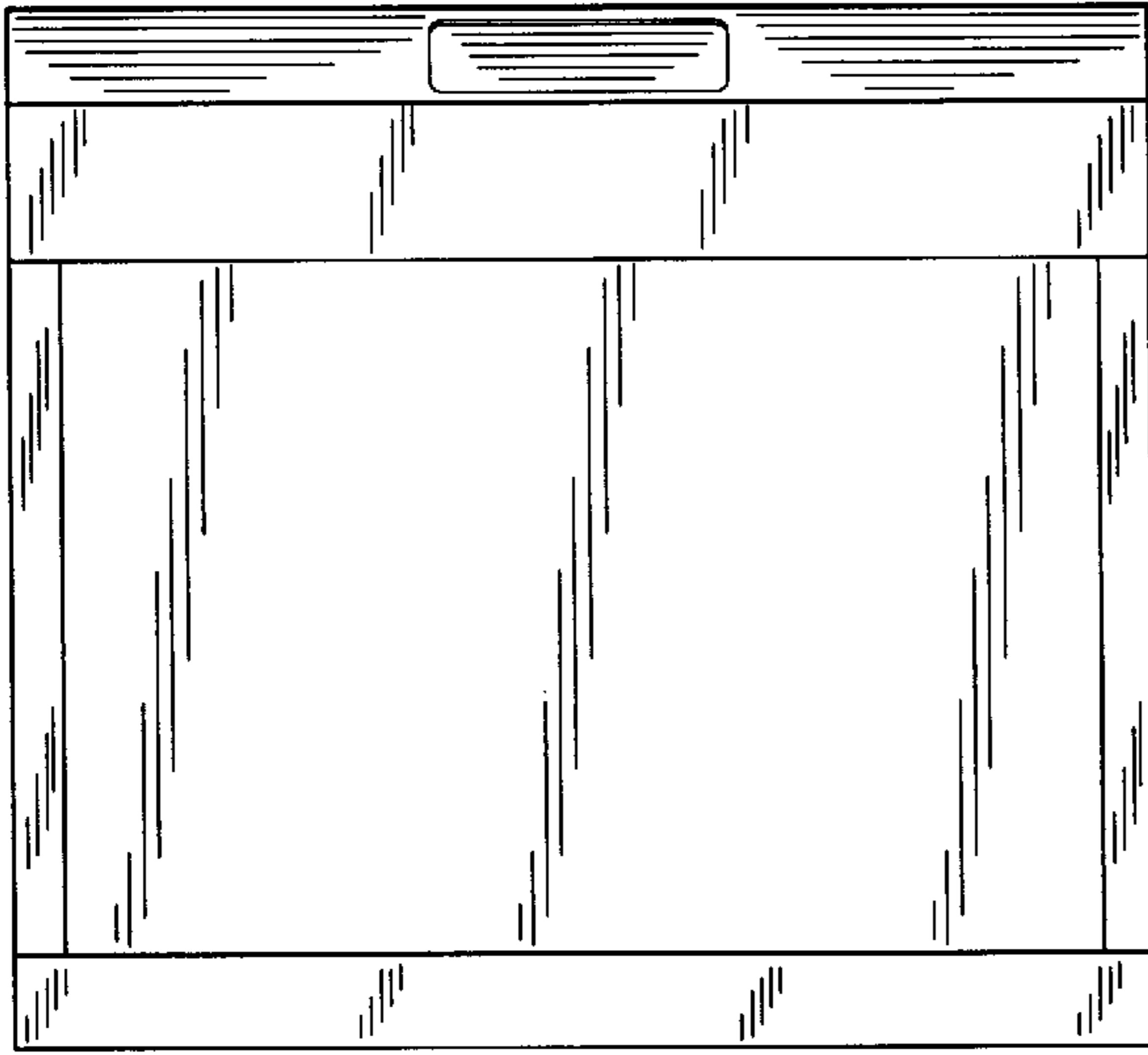


FIG. 17

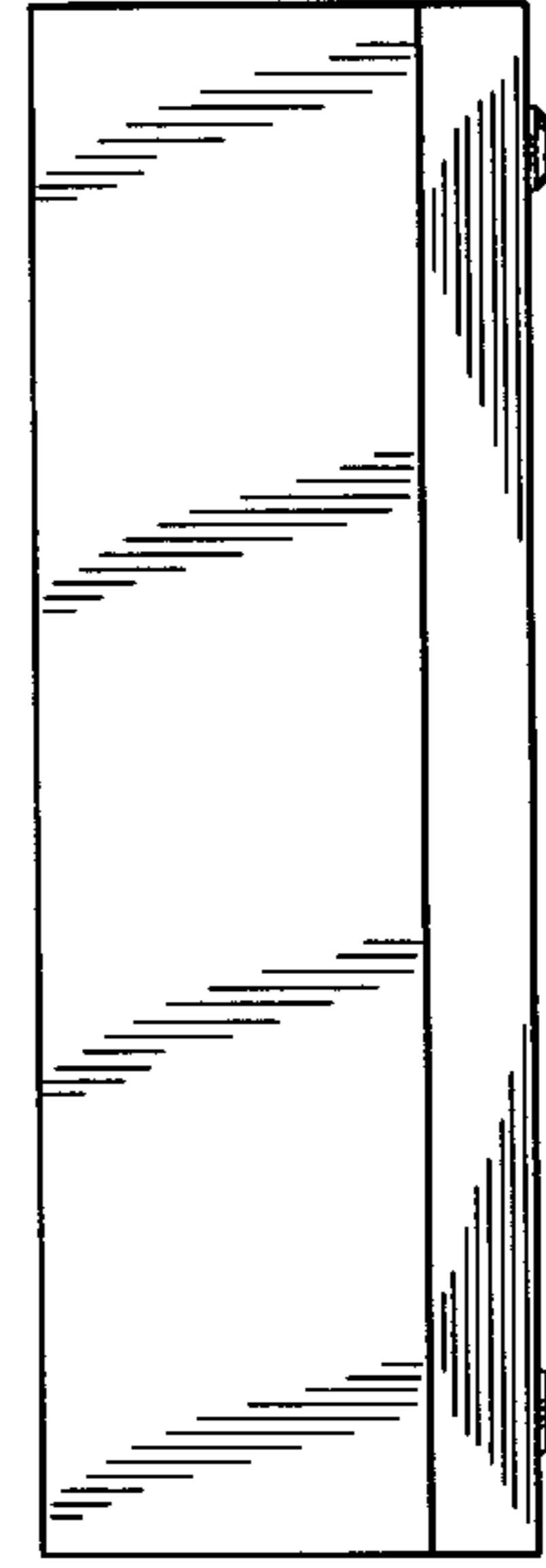


FIG. 20

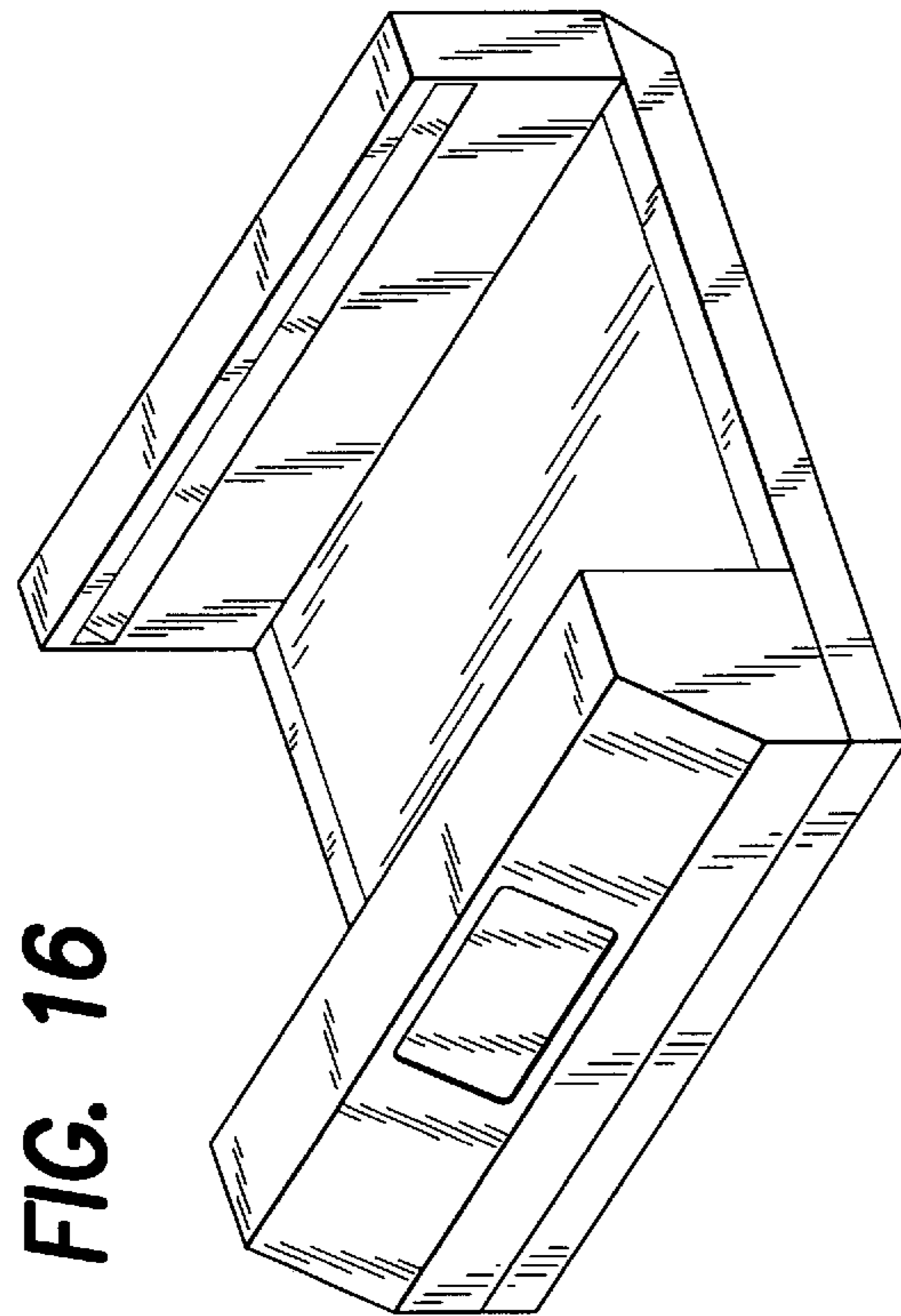


FIG. 16

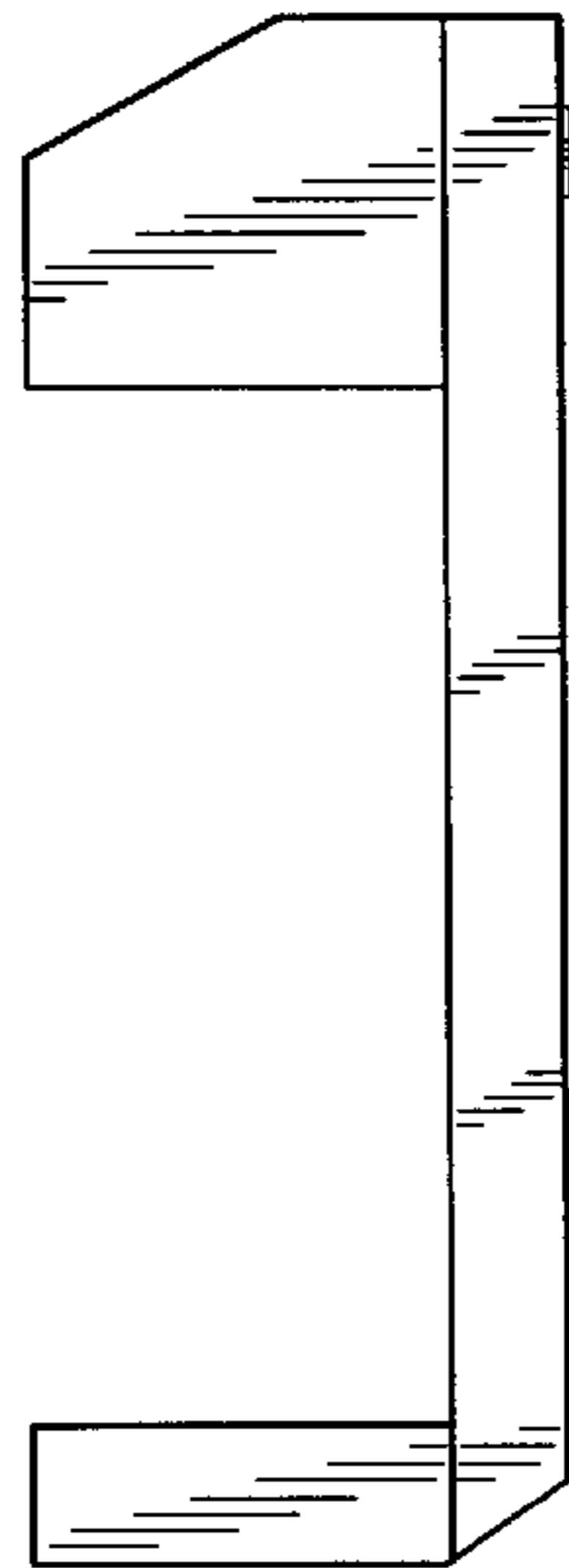


FIG. 18

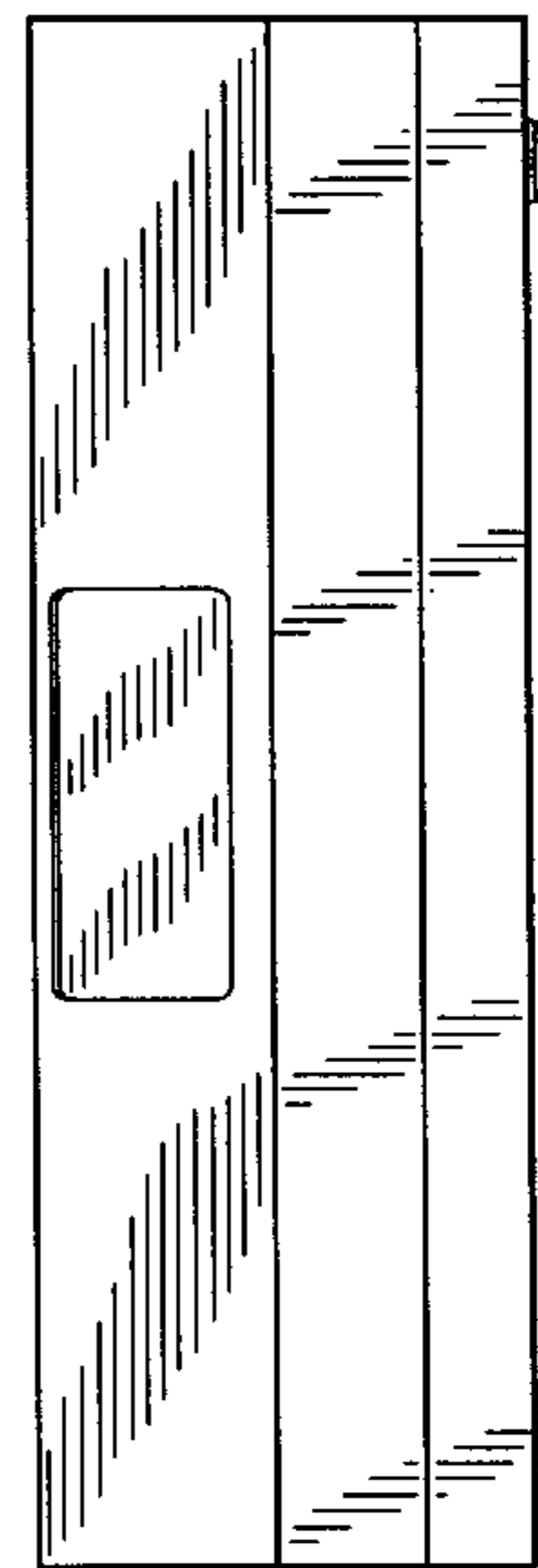


FIG. 19