



US00D427478S

# United States Patent [19]

Littmann et al.

[11] Patent Number: **Des. 427,478**

[45] Date of Patent: **\*\* Jul. 4, 2000**

[54] **WATER KETTLE**

[75] Inventors: **Ludwig Littmann, Kronberg; Jürgen Greubel, Heidenrod, both of Germany**

[73] Assignee: **Braun GmbH, Frankfurt, Germany**

[\*\*] Term: **14 Years**

[21] Appl. No.: **29/098,379**

[22] Filed: **Dec. 28, 1998**

[51] **LOC (7) Cl.** ..... **07-01**

[52] **U.S. Cl.** ..... **D7/318; D7/317; D7/322**

[58] **Field of Search** ..... **D7/300, 305, 312, D7/316, 317, 318, 319, 321, 322, 392, 598, 6.5, 608; 215/13.1; 222/566, 570; 220/380, 293, 756; 99/283, 287**

[56] **References Cited**

**U.S. PATENT DOCUMENTS**

- D. 345,670 4/1994 Piret ..... D7/319
- D. 396,378 7/1998 Hensel ..... D7/319
- D. 398,184 9/1998 Silverberg et al. .... D7/319

- D. 398,474 9/1998 Wagner ..... D7/305
- D. 399,090 10/1998 Green ..... D7/319
- D. 413,481 9/1999 Choi ..... D7/319
- D. 415,922 11/1999 Kawasaki et al. .... D7/317
- D. 416,163 11/1999 Doritty et al. .... D7/319
- D. 418,714 1/2000 Fox et al. .... D7/319

*Primary Examiner*—M. N. Pandozzi  
*Attorney, Agent, or Firm*—Fish & Richardson P.C.

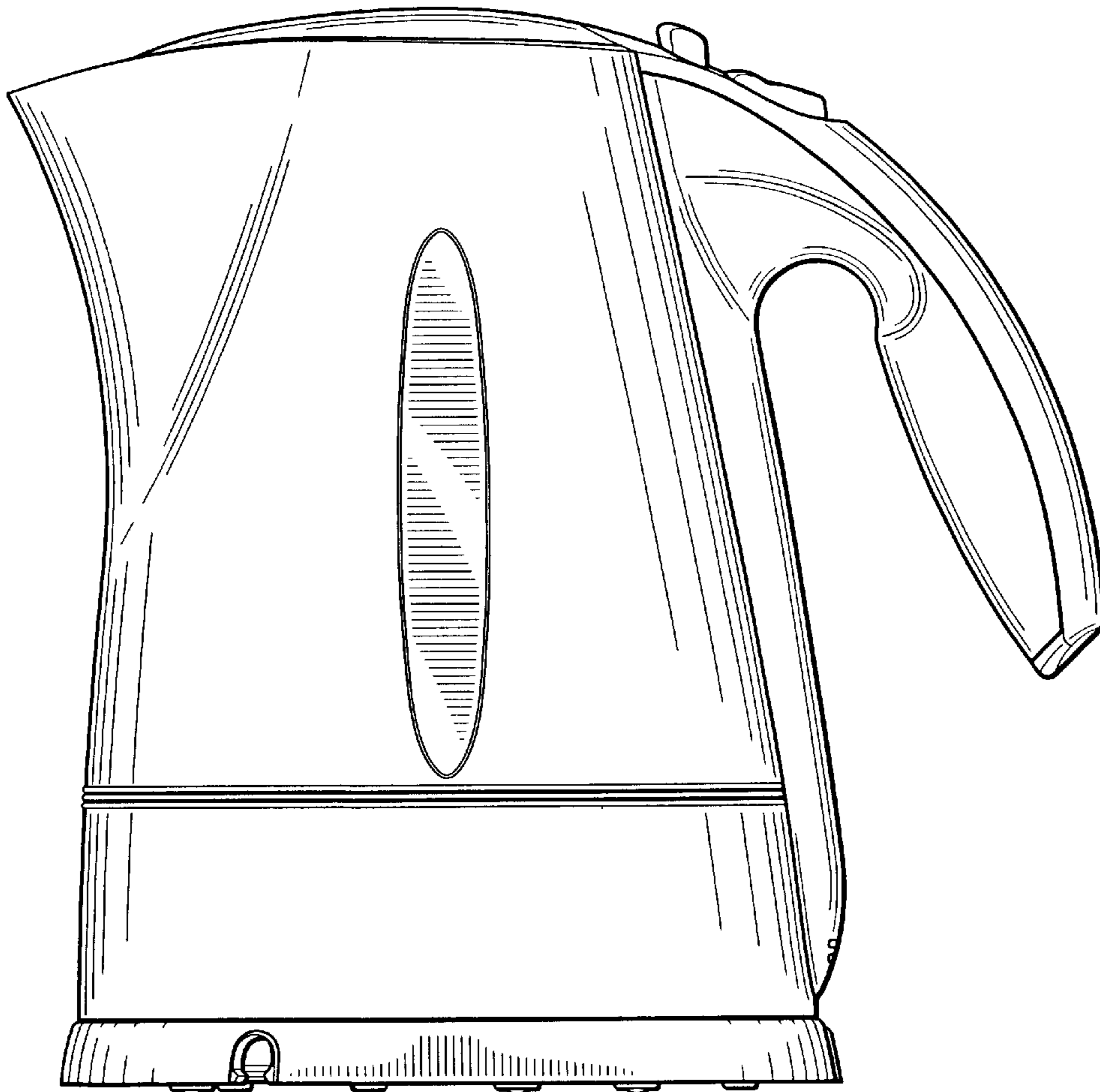
[57] **CLAIM**

The ornamental design for a water kettle, as shown and described.

**DESCRIPTION**

FIG. 1 is a perspective front elevational view of a water kettle from above, showing my design; FIG. 2 is a side view of the appliance; FIG. 3 is a front view thereof; FIG. 4 is a side view thereof; FIG. 5 is a rear view thereof; FIG. 6 is a top plan view thereof; and, FIG. 7 is a bottom plan thereof.

**1 Claim, 4 Drawing Sheets**



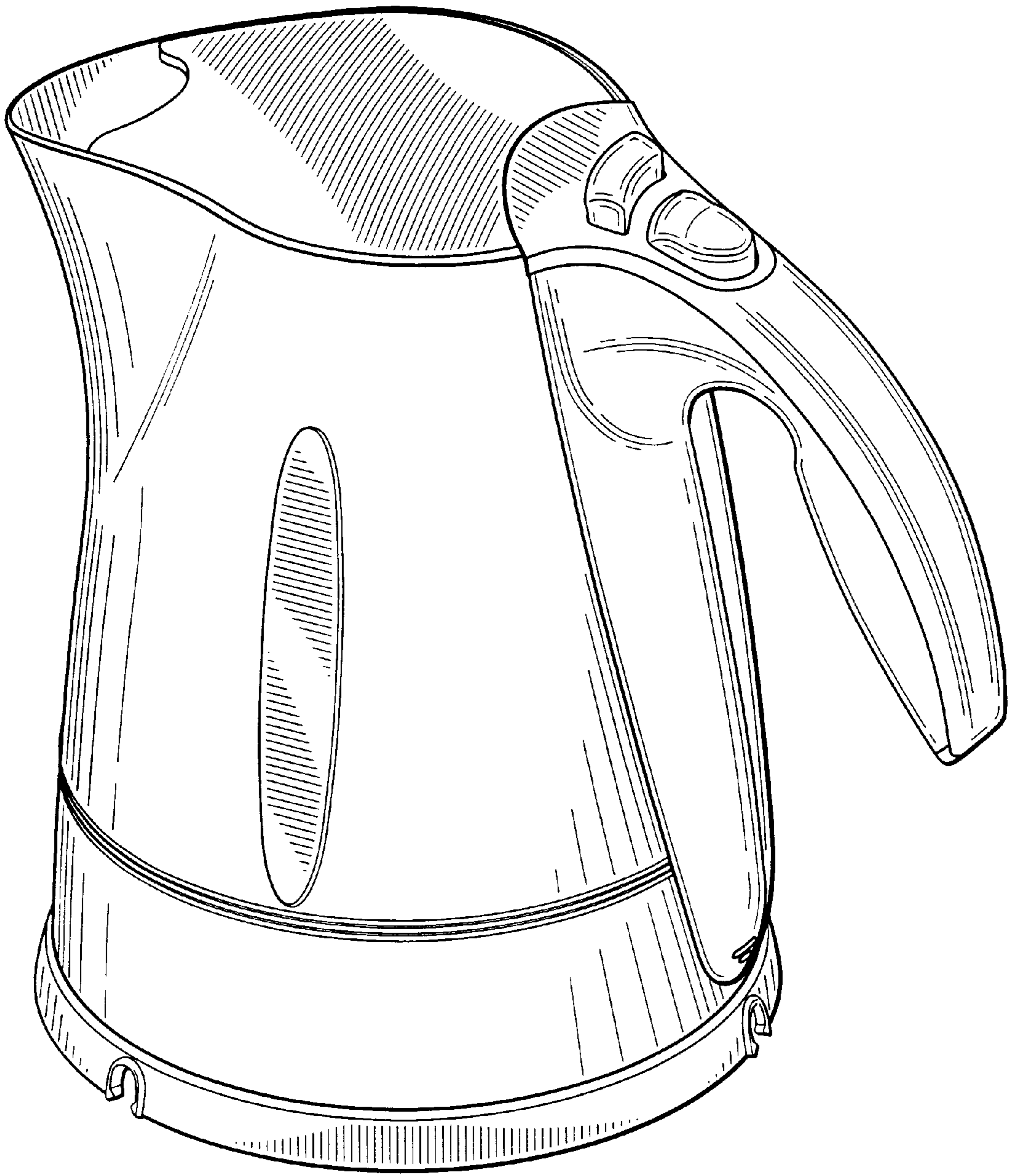


FIG. 1

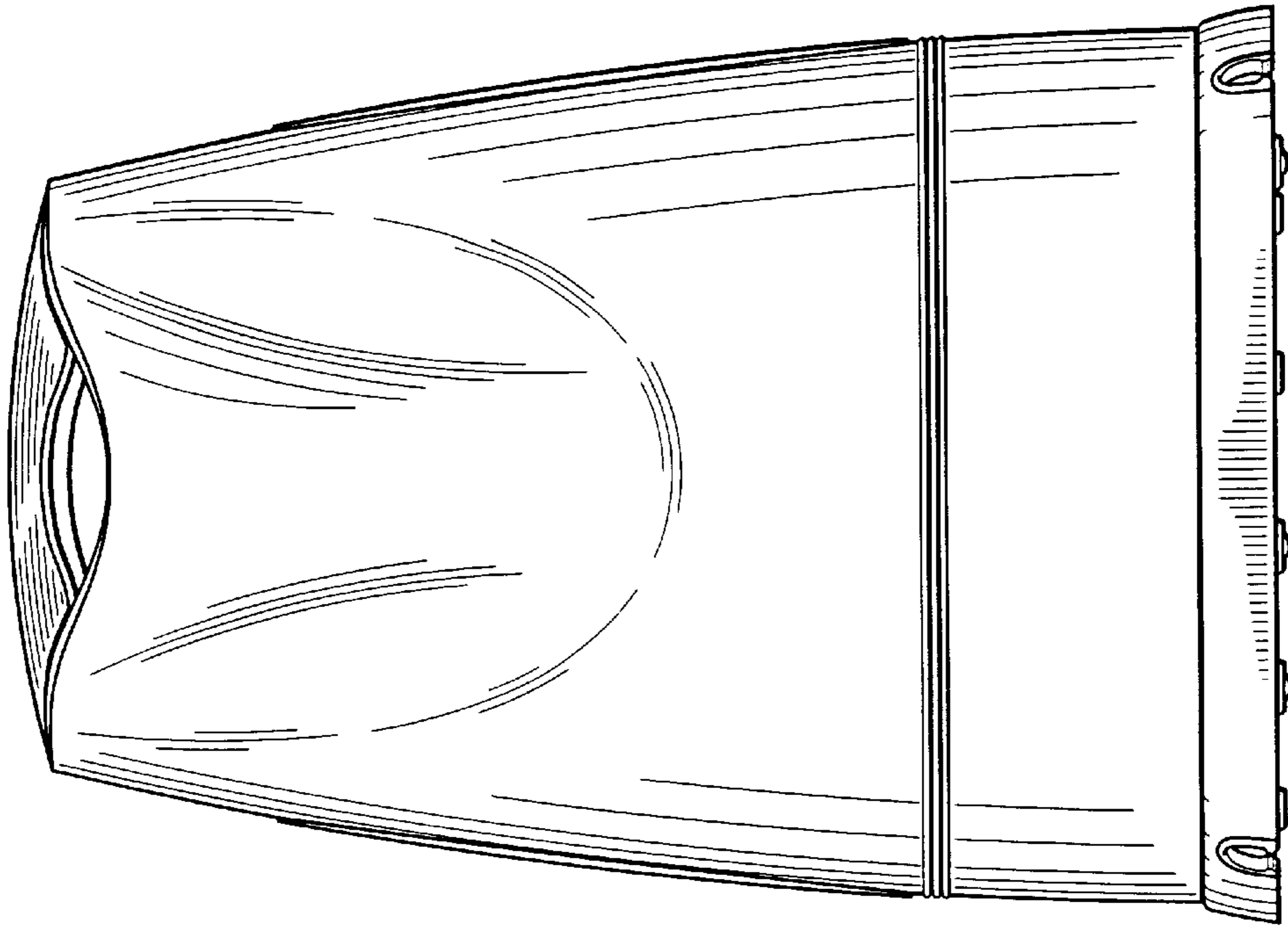


FIG. 3

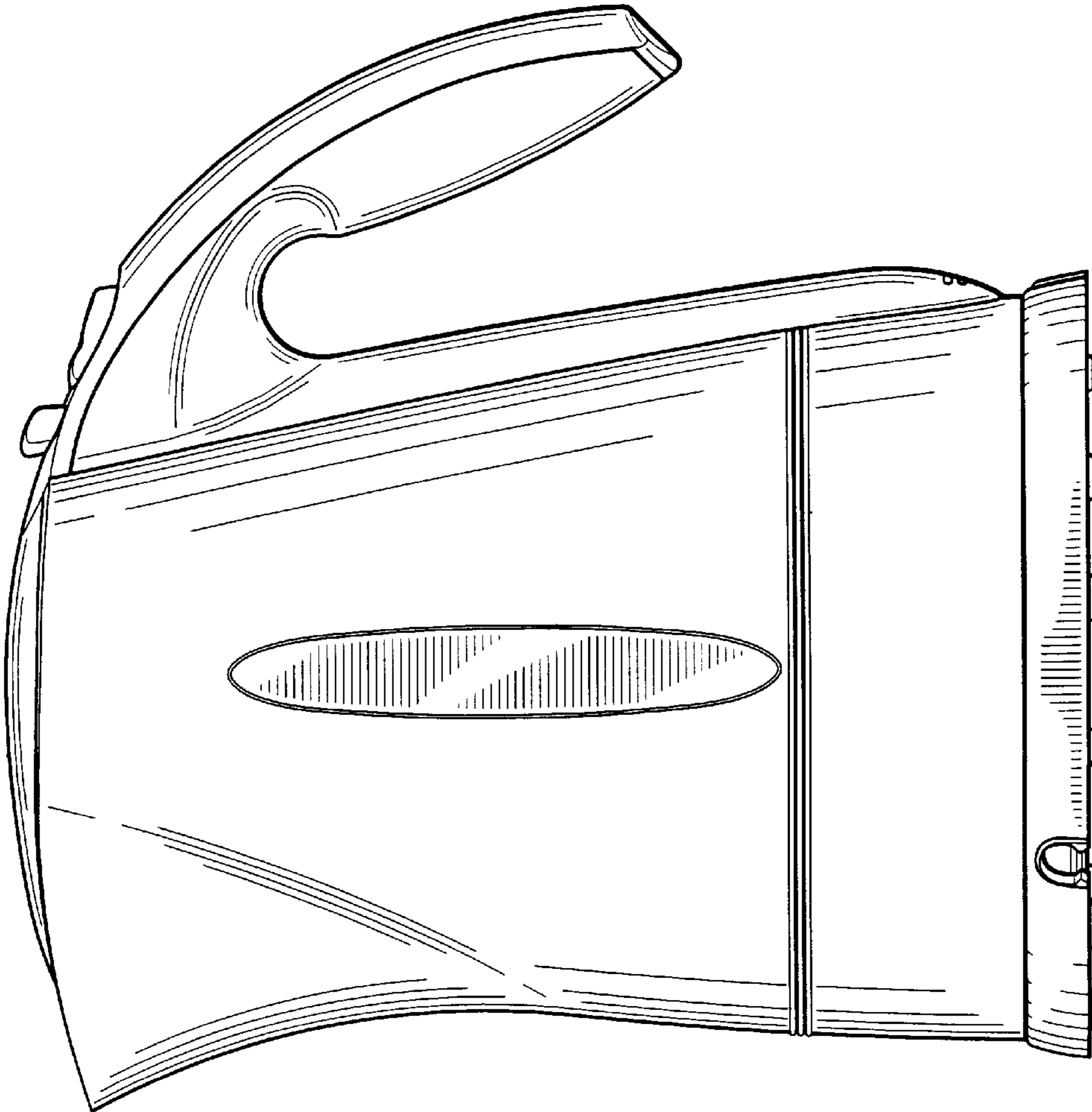


FIG. 2

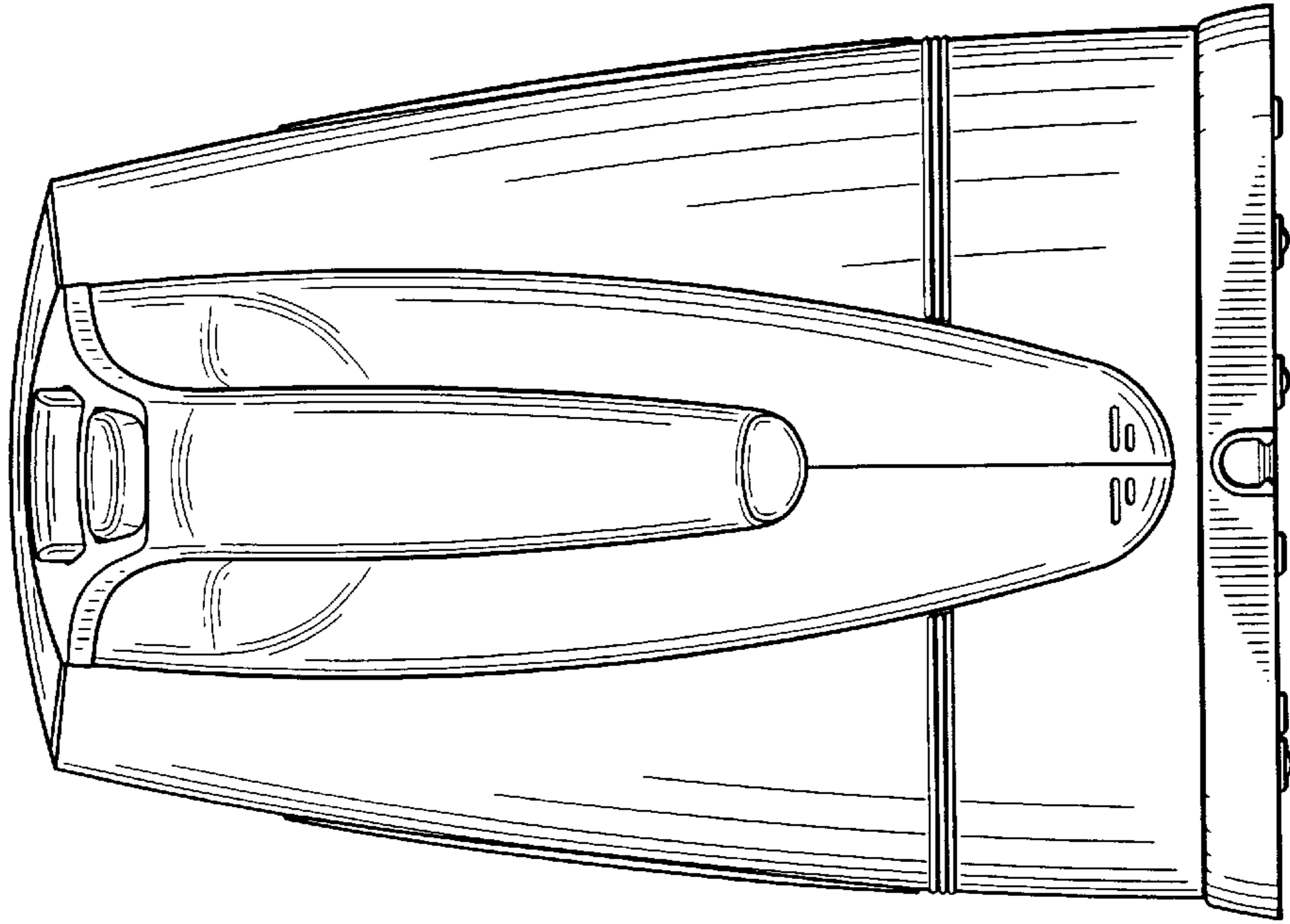


FIG. 5

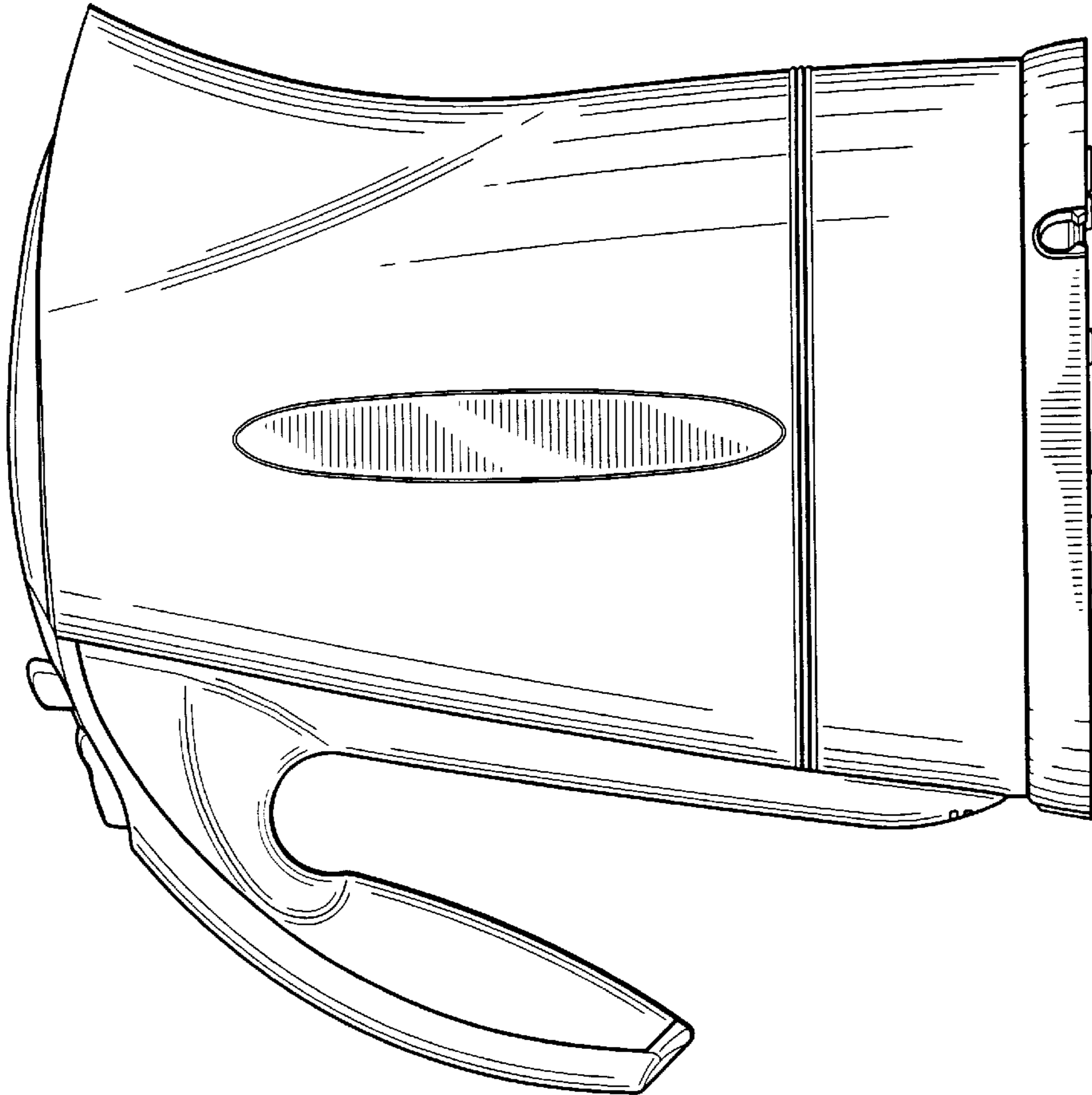


FIG. 4

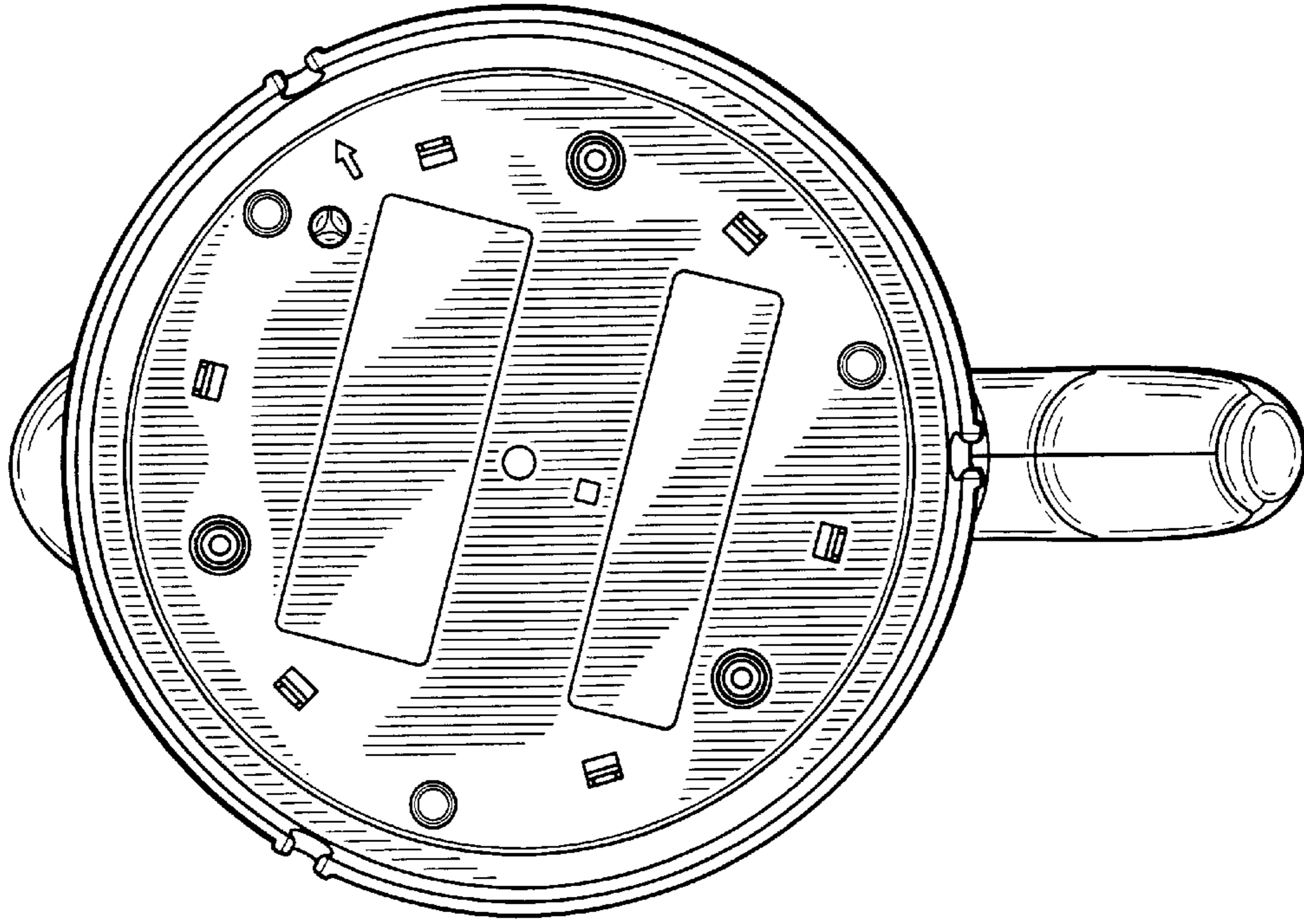


FIG. 6

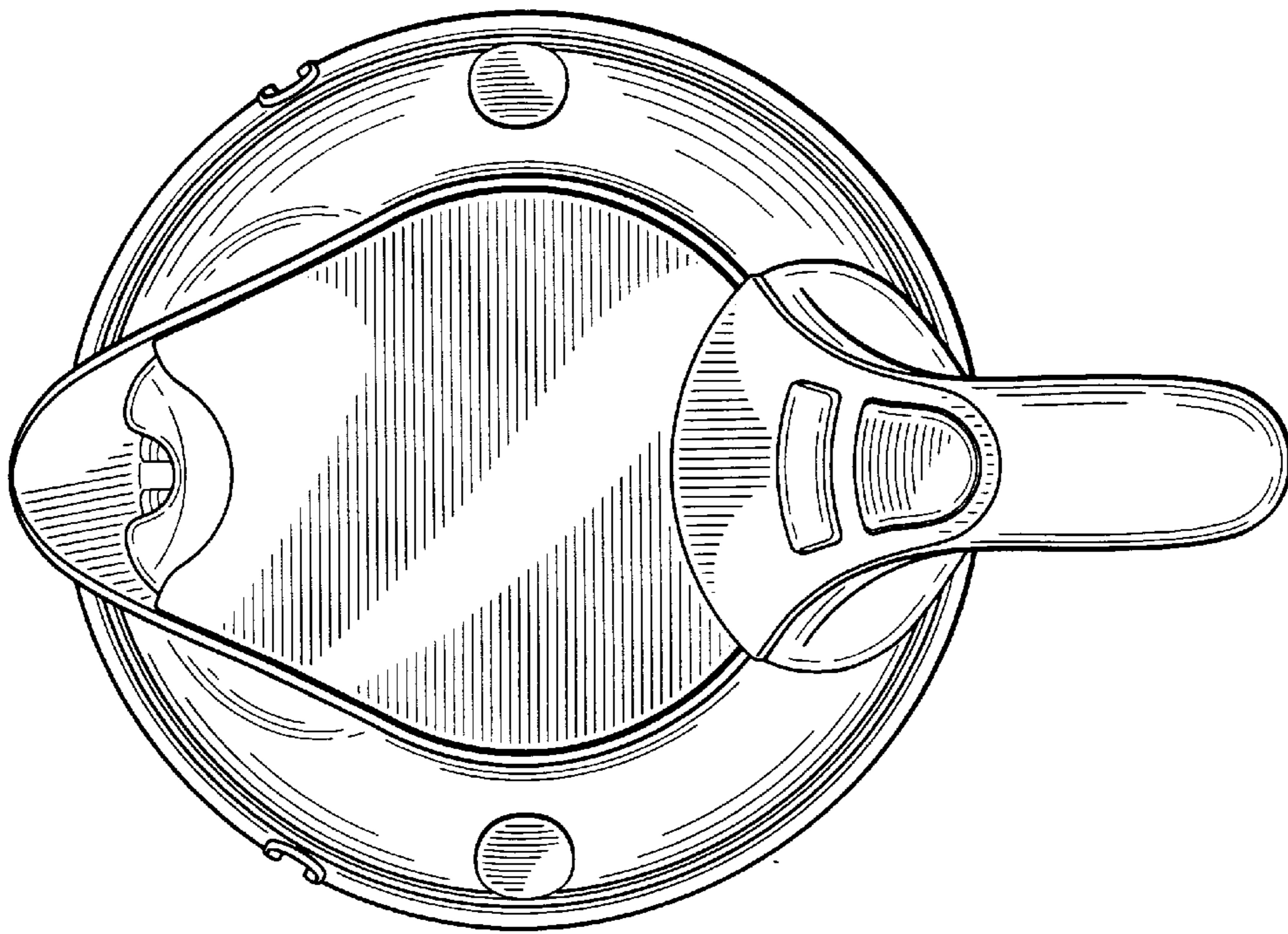


FIG. 7