



US00D427470S

United States Patent [19]

Daansen

[11] Patent Number: Des. 427,470

[45] Date of Patent: ** Jul. 4, 2000

[54] SOAP DISPENSER PUMP TIP

[76] Inventor: Warren S. Daansen, 39 Orange St., Nashua, N.H. 03060

[**] Term: 14 Years

[21] Appl. No.: 29/112,683

[22] Filed: Oct. 21, 1999

[51] LOC (7) Cl. 23-02

[52] U.S. Cl. D6/542; D9/448

[58] Field of Search D6/542-545; D9/448-449, D9/453, 454, 439-442; 222/186-187, 189, 180

D. 385,193	10/1997	Daansen .	
D. 396,411	7/1998	Daansen .	
D. 396,589	8/1998	Daansen .	
3,163,333	12/1964	Boyle et al.	222/180
4,625,896	12/1986	Rocchelli	222/180
4,651,902	3/1987	Hobbs et al.	222/180
5,464,125	11/1995	Daansen .	
5,501,372	3/1996	Daansen .	

Primary Examiner—Brian N. Vinson
Attorney, Agent, or Firm—Scott J. Asmus; Vernon C. Maine

[57] CLAIM

The ornamental design for a soap dispenser pump tip, as shown and described.

DESCRIPTION

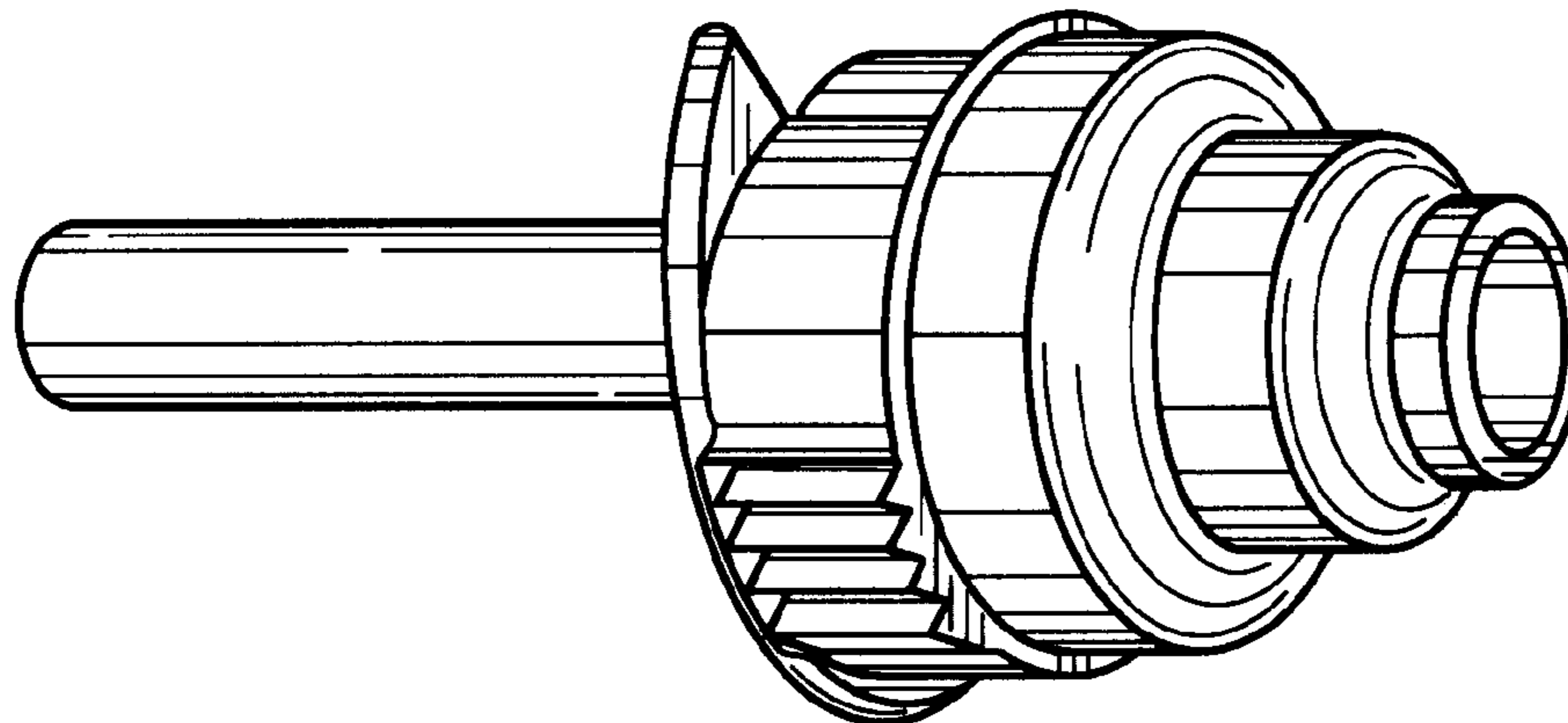
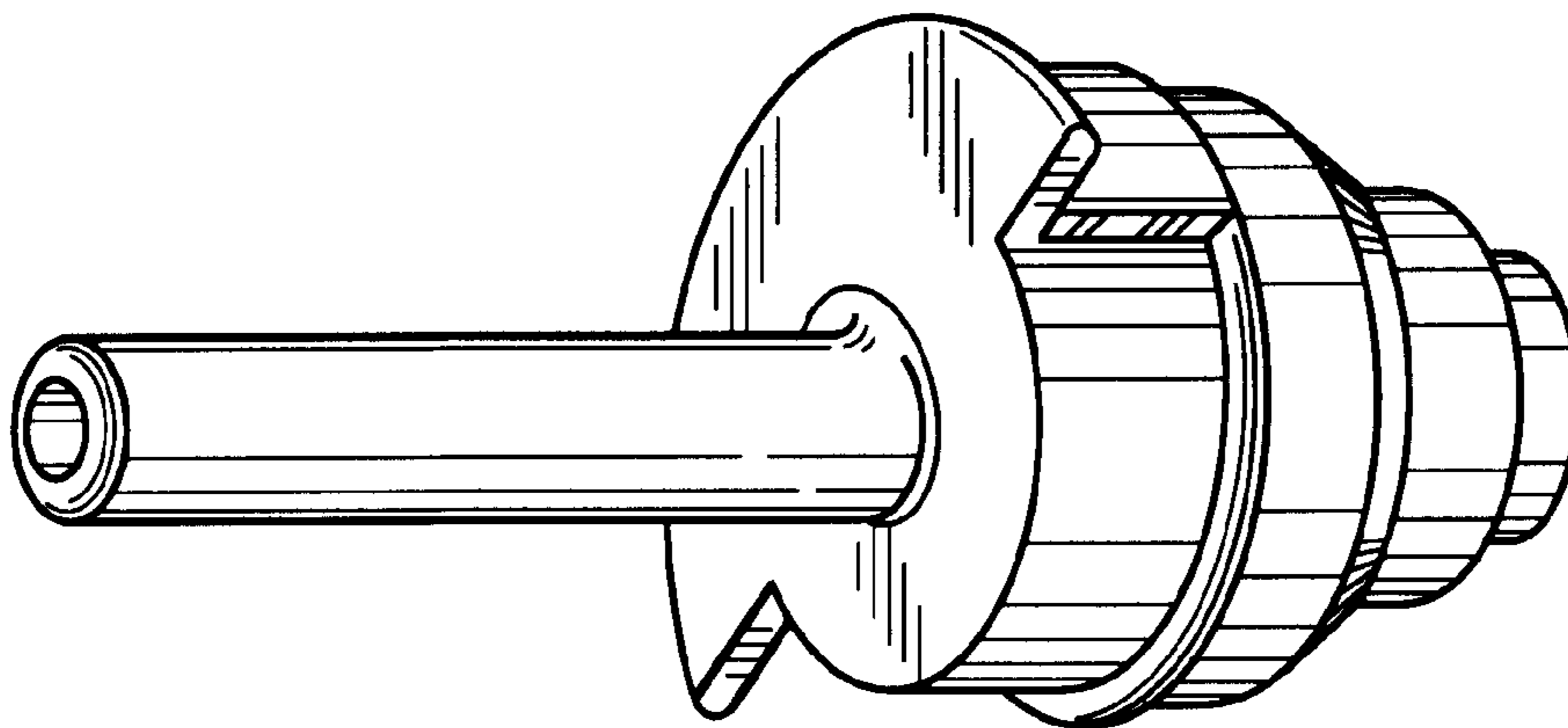
FIG. 1 is a three-dimensional front view of the soap dispenser pump tip showing my new design; FIG. 2 is a three-dimensional rear view thereof; FIG. 3 is a front elevation perspective view thereof; FIG. 4 is a top plan thereof; FIG. 5 is a bottom plan thereof. FIG. 6 is a rear elevation perspective view thereof; and, FIG. 7 is a side plan thereof; all other sides not shown being identical to the side shown.

1 Claim, 3 Drawing Sheets

[56] References Cited

U.S. PATENT DOCUMENTS

D. 366,833	2/1996	Daansen .
D. 370,813	6/1996	Daansen .
D. 370,814	6/1996	Daansen .
D. 371,514	7/1996	Daansen .
D. 378,196	2/1997	Daansen .
D. 378,718	4/1997	Daansen .
D. 383,673	9/1997	Daansen .
D. 383,674	9/1997	Daansen .
D. 383,675	9/1997	Daansen .



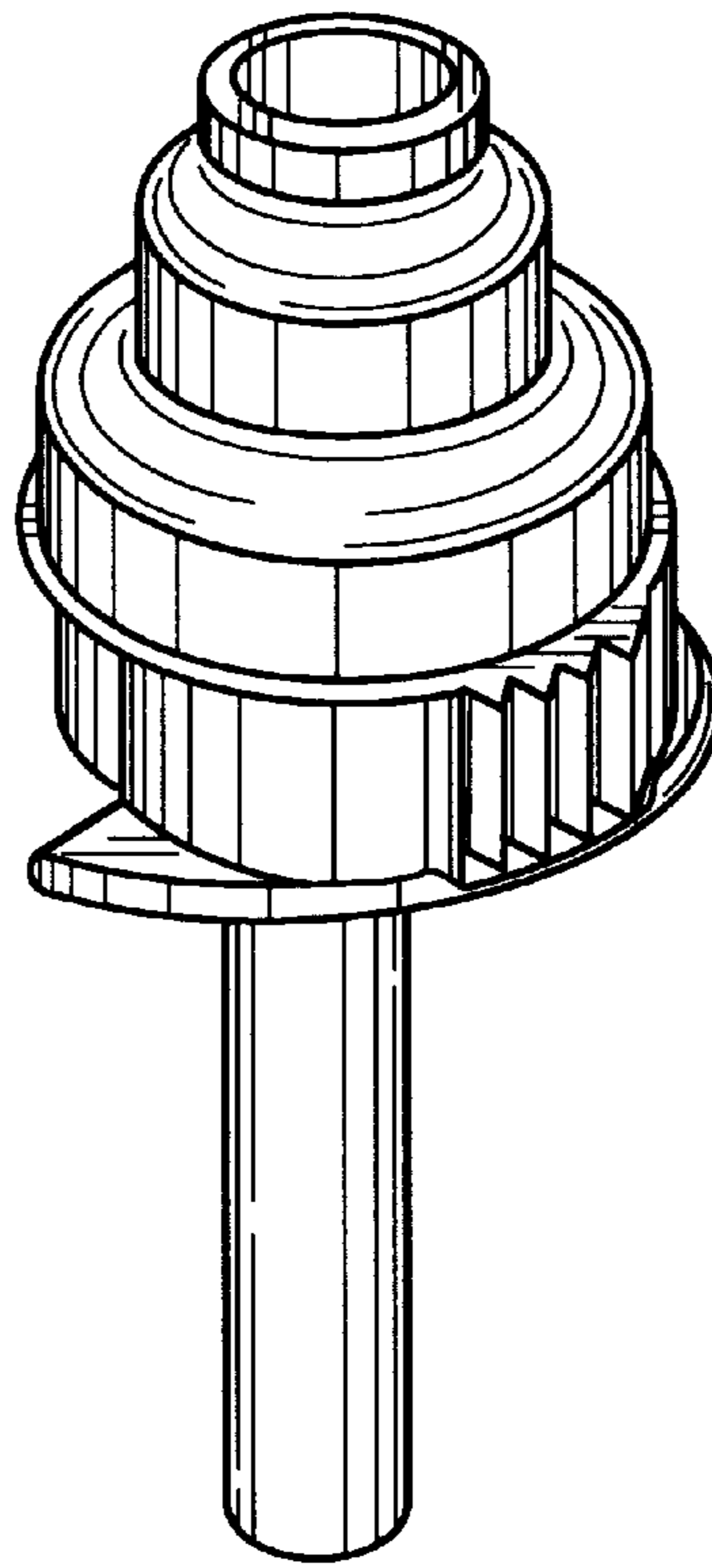


FIG. 2

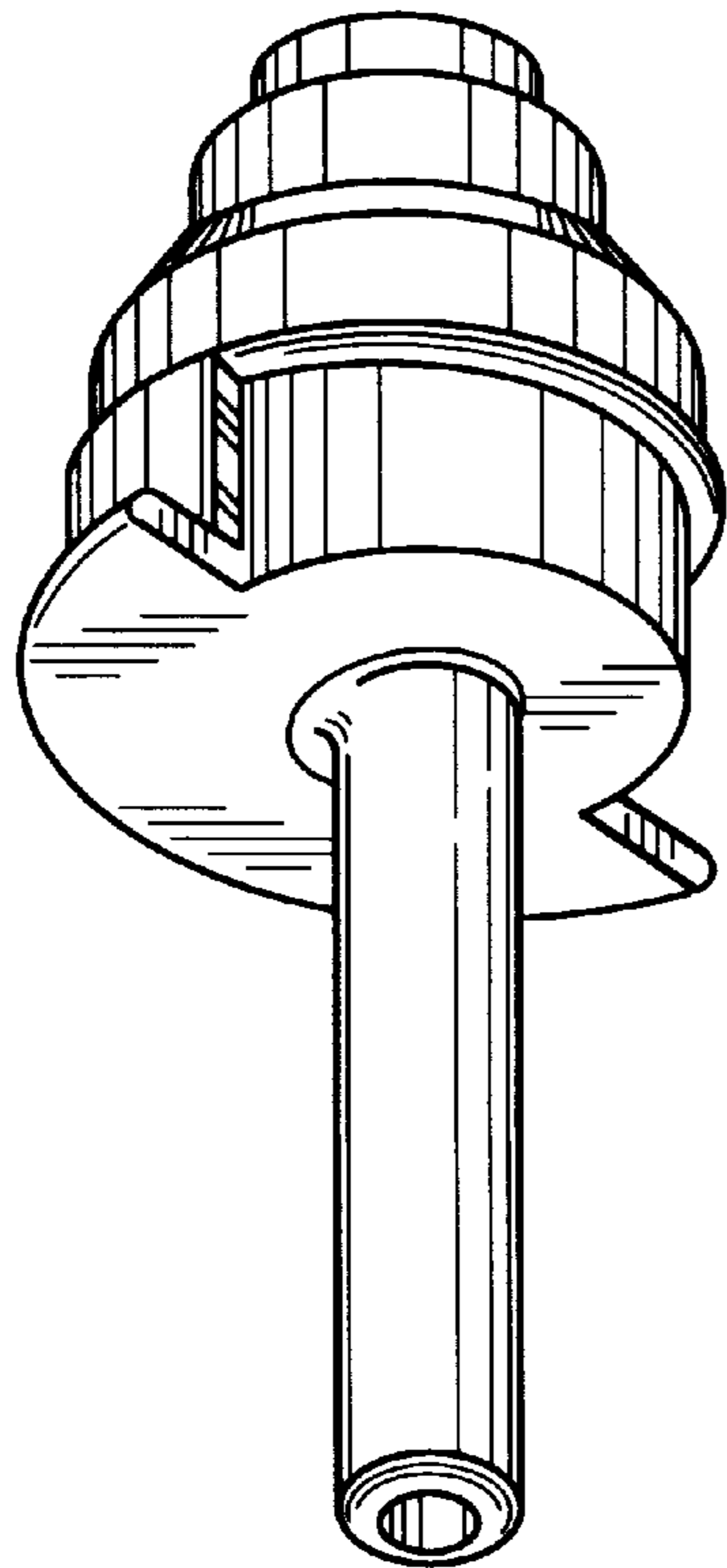


FIG. 1

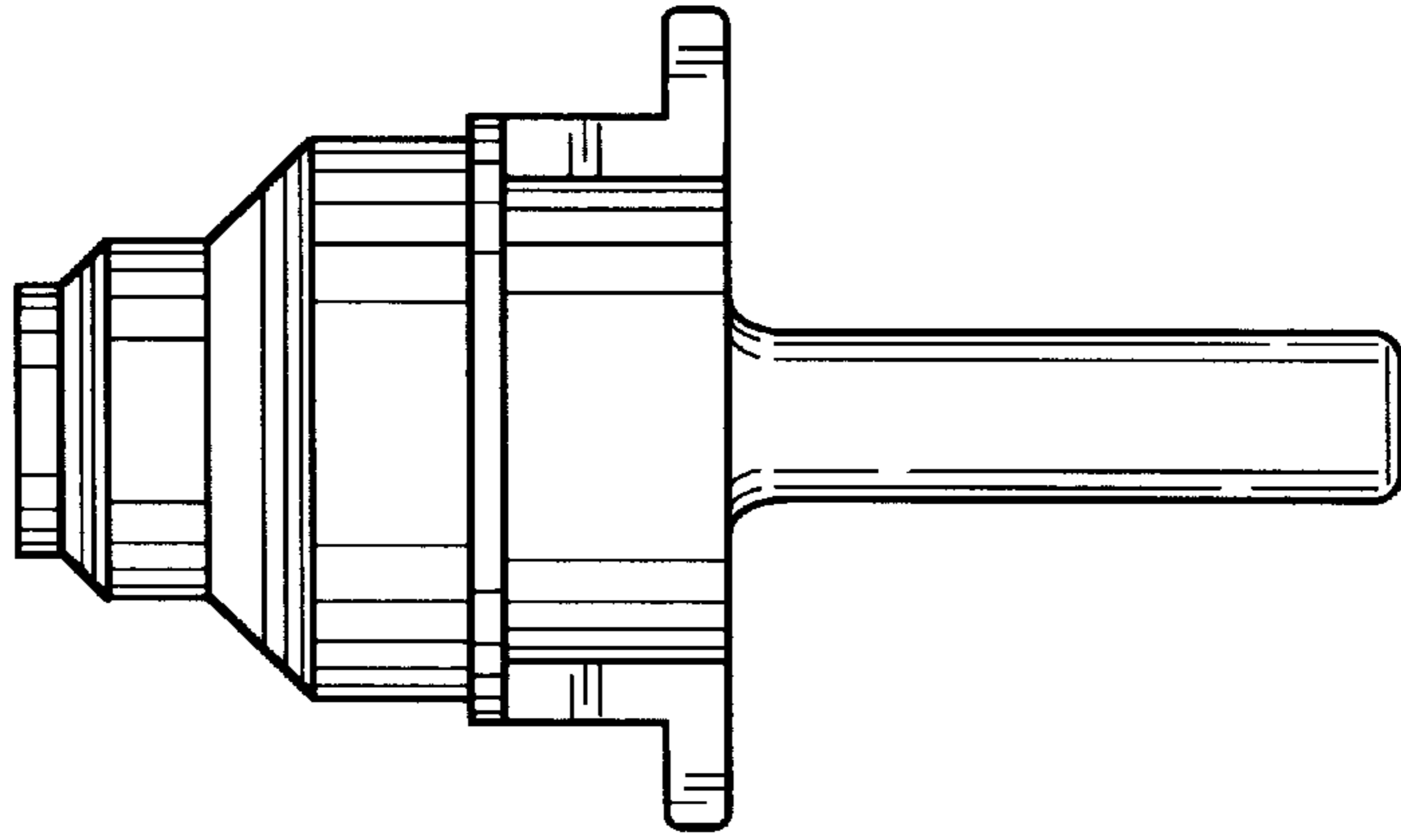


FIG. 5

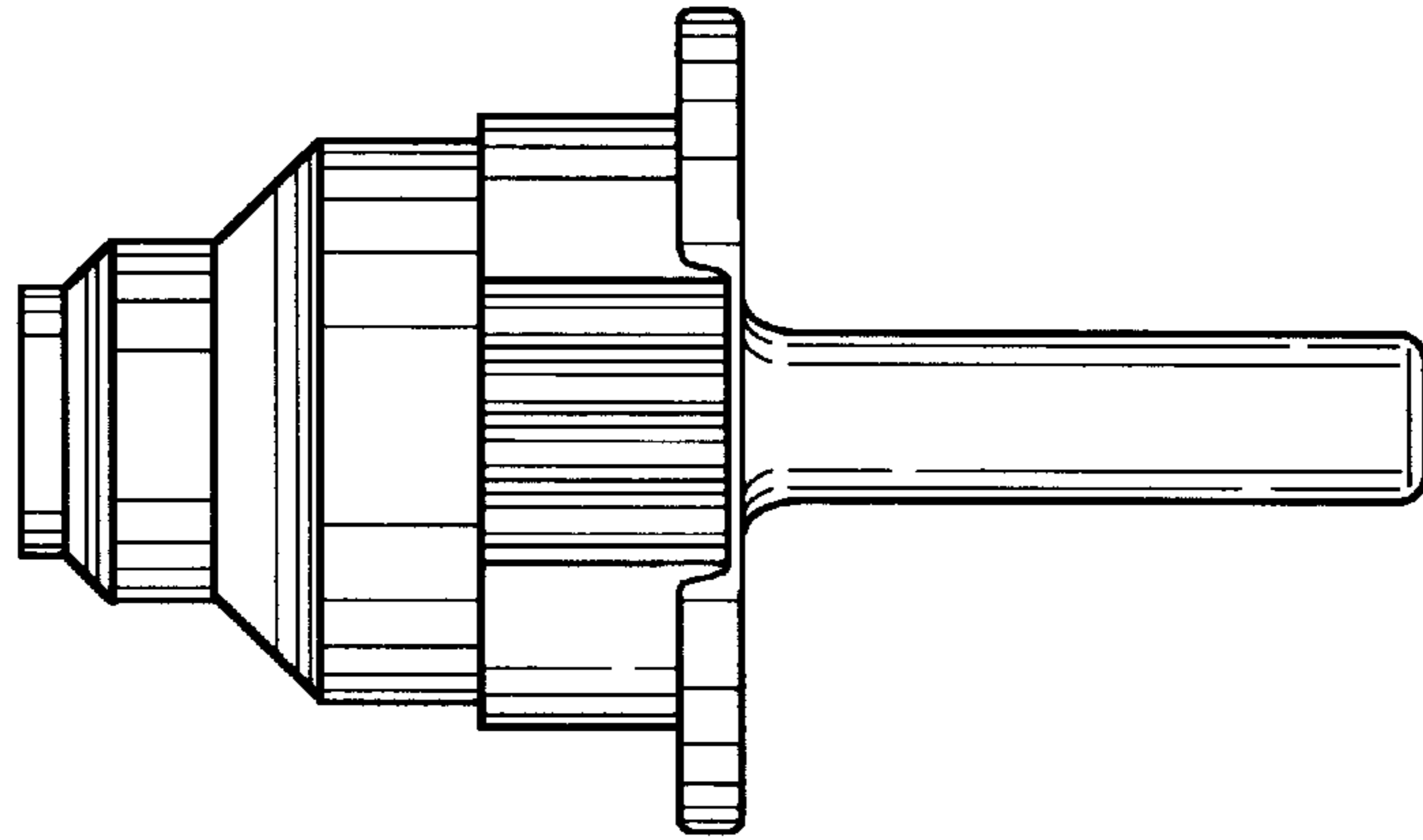


FIG. 4

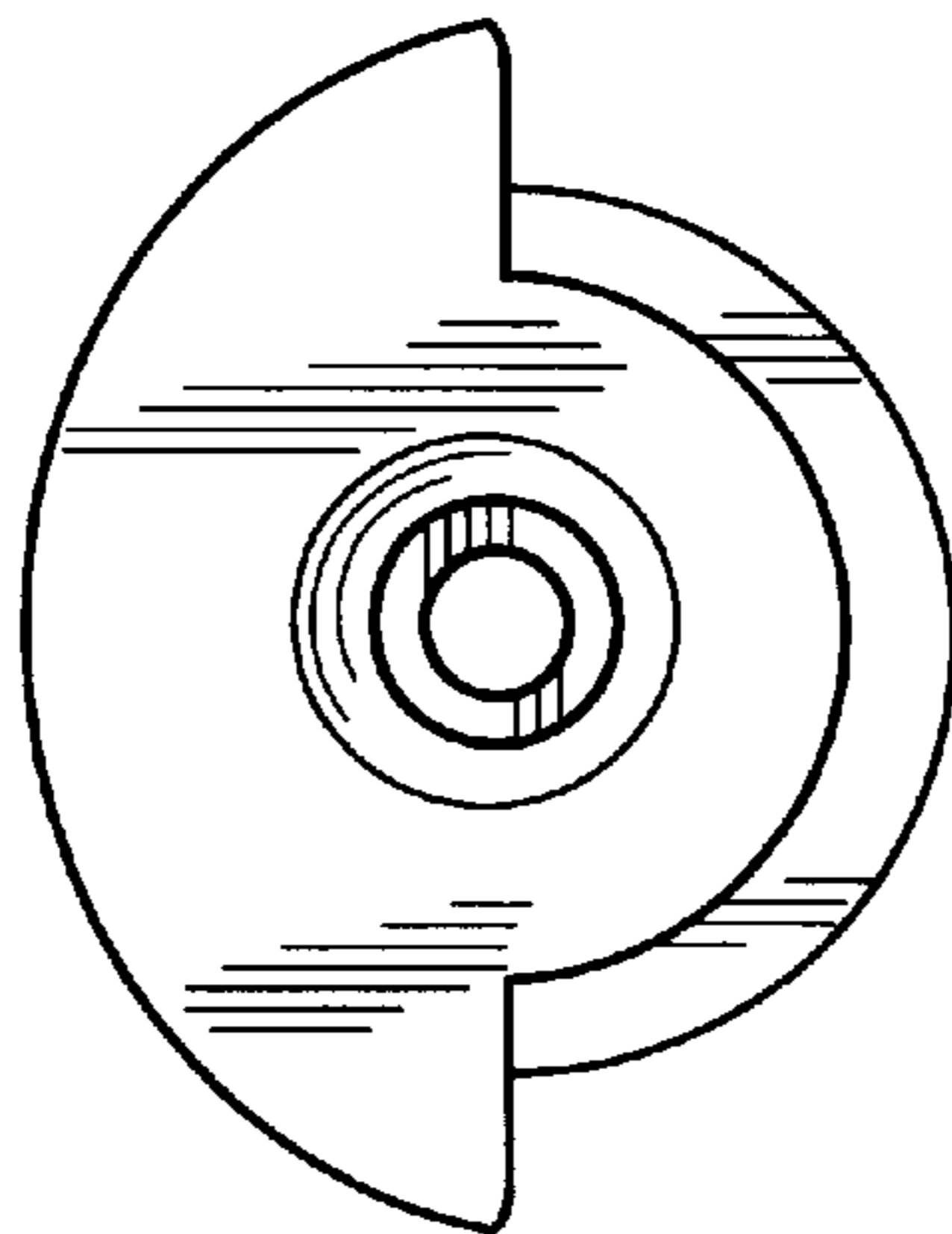


FIG. 3

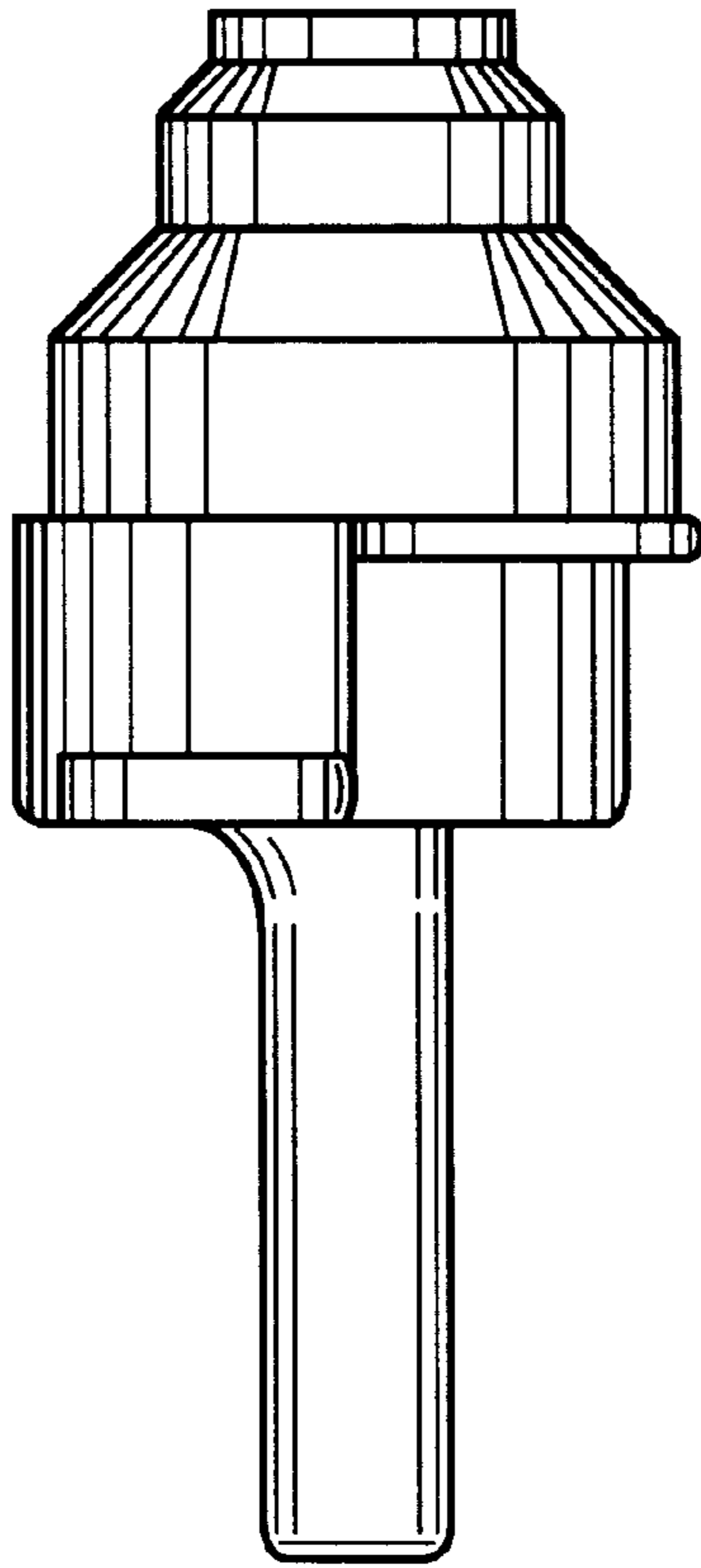


FIG. 7

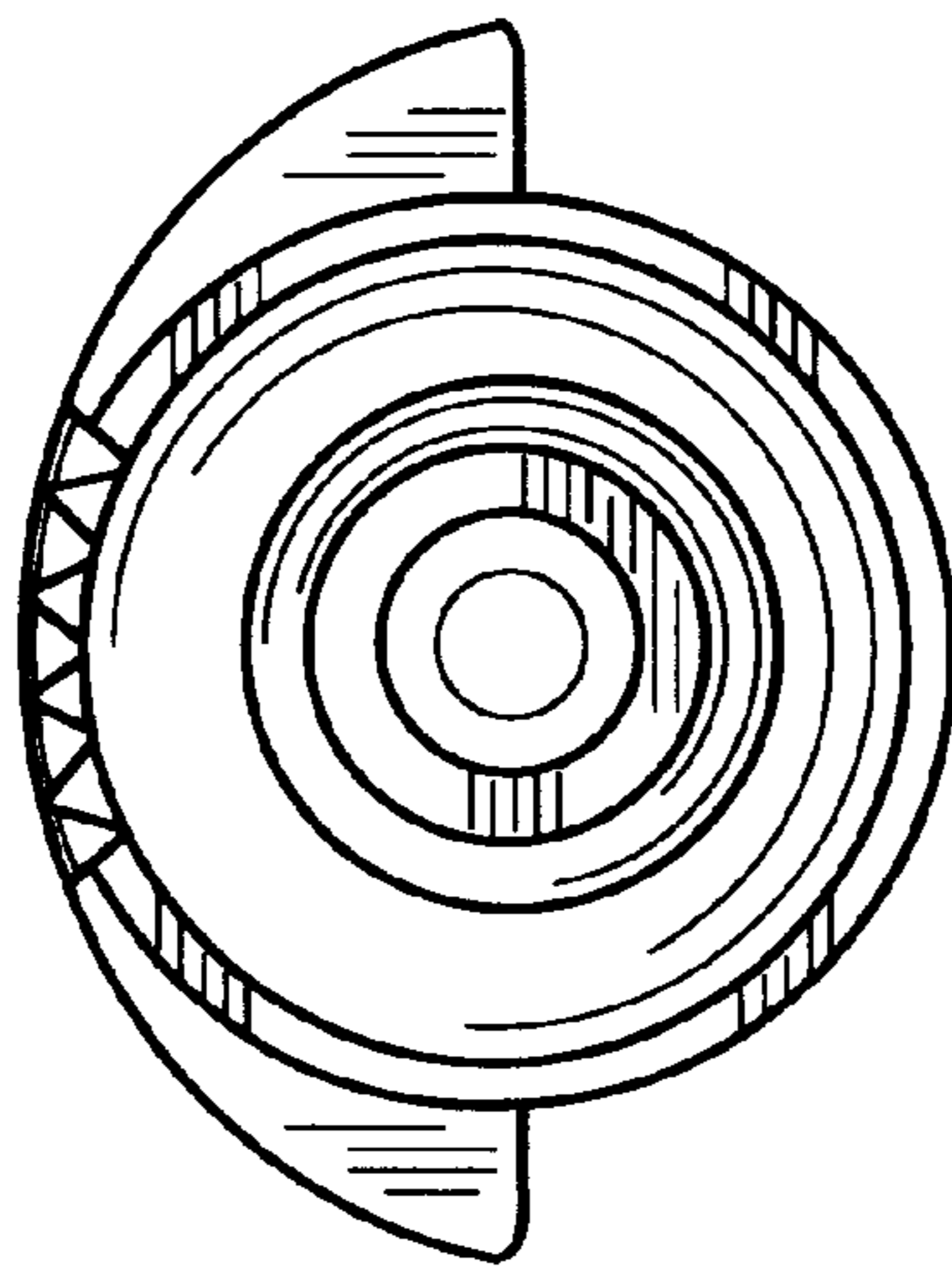


FIG. 6