



US00D427465S

United States Patent [19]

[11] Patent Number: **Des. 427,465**

Thom et al.

[45] Date of Patent: **** Jul. 4, 2000**

[54] **HANDLE STRUCTURE WITH POCKETS THEREIN**

[75] Inventors: **Paul Thom, Montclair; Kurt Landsberger, Verona, both of N.J.**

[73] Assignee: **Bel-Art Products, Inc., Pequannock, N.J.**

[**] Term: **14 Years**

[21] Appl. No.: **29/102,109**

[22] Filed: **Mar. 17, 1999**

[51] **LOC (7) Cl.** **06-06**

[52] **U.S. Cl.** **D6/503**

[58] **Field of Search** D6/491, 503, 382-384, D6/393; 5/662, 503.1, 425, 663; D24/183, 184

[56] References Cited

U.S. PATENT DOCUMENTS

D. 336,577	6/1993	Celestina et al.	D6/503
3,029,447	4/1962	Maertins .	
3,739,793	6/1973	Wilson .	
4,432,522	2/1984	Pruente et al. .	
4,484,367	11/1984	Jenkins	5/425
4,504,992	3/1985	Herron et al. .	
5,257,426	11/1993	Leoutsakos .	
5,279,010	1/1994	Ferrand et al.	5/662
5,335,385	8/1994	Brown .	

5,384,927	1/1995	Mardero et al. .	
5,388,294	2/1995	Reeder .	
5,400,450	3/1995	Leoutsakos .	
5,435,028	7/1995	Frala .	
5,471,689	12/1995	Shaw et al. .	
5,581,829	12/1996	Lee .	
5,651,152	7/1997	Ritchie et al.	5/503.1
5,787,530	8/1998	Brix .	

OTHER PUBLICATIONS

Bed Mobility Leaflet, no date.
Bedside Assistant Publication, no date.

Primary Examiner—Janice E. Seeger
Attorney, Agent, or Firm—Lawrence G. Fridman

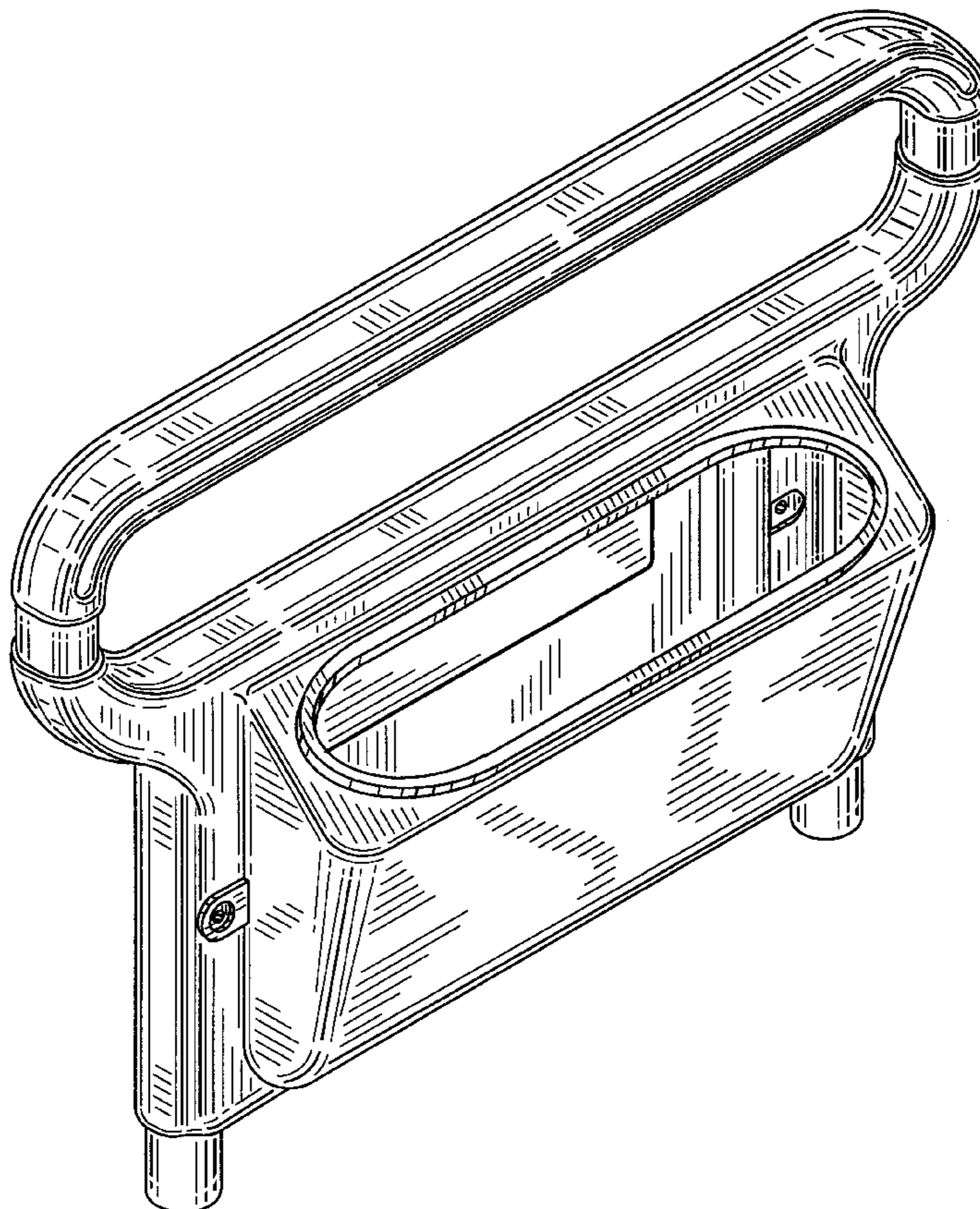
[57] CLAIM

The ornamental design for handle structure with pockets therein, as shown and described.

DESCRIPTION

FIG. 1 is a perspective view of a handle structure with pockets therein of the invention;
FIG. 2 is a front elevational view thereof;
FIG. 3 is a rear elevational view thereof;
FIG. 4 is a right hand side elevational view thereof; (left hand side elevational view is a mirror image of FIG. 4).
FIG. 5 is a top plan view thereof; and,
FIG. 6 is a bottom plan view thereof.

1 Claim, 4 Drawing Sheets



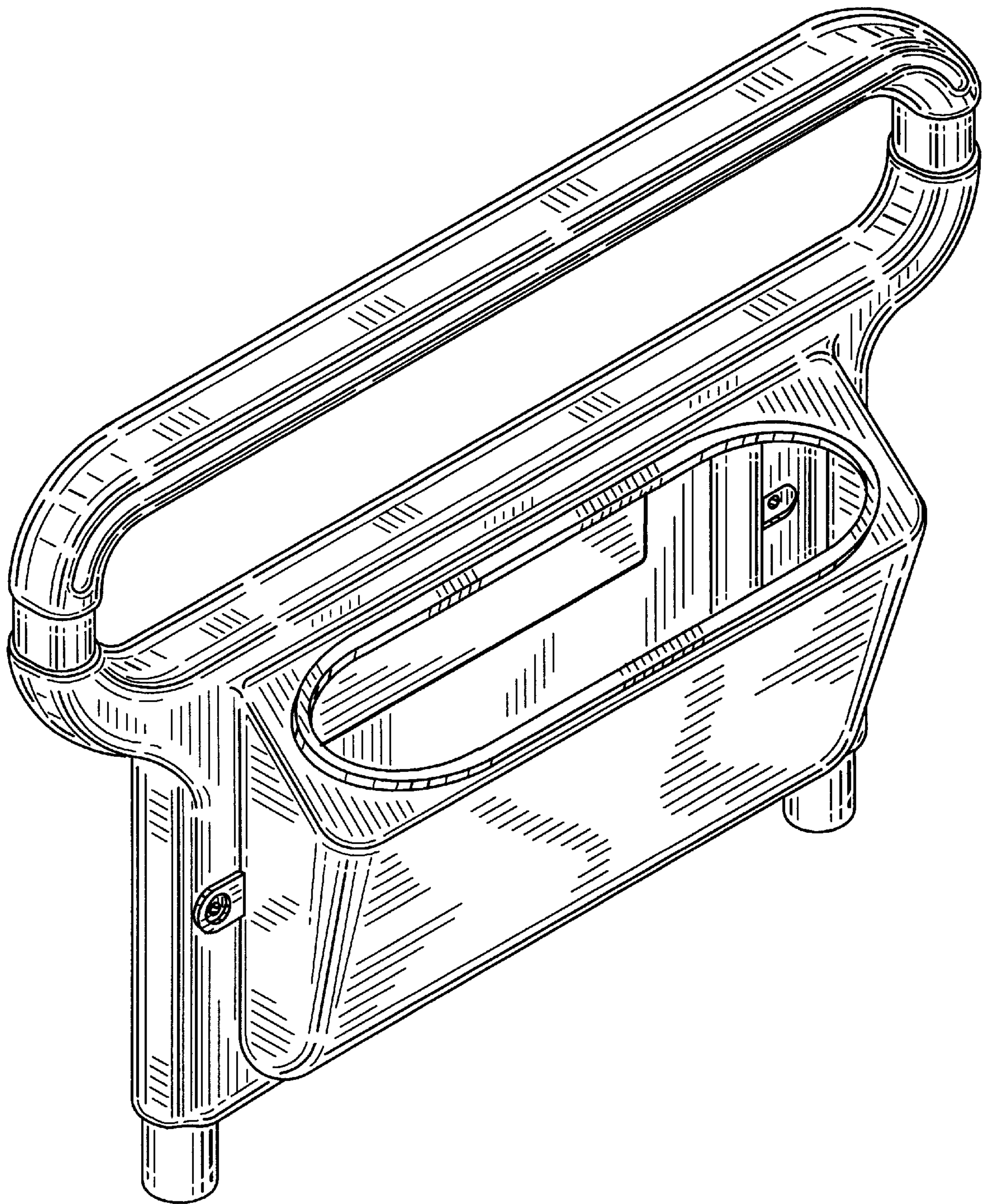


FIG. 1

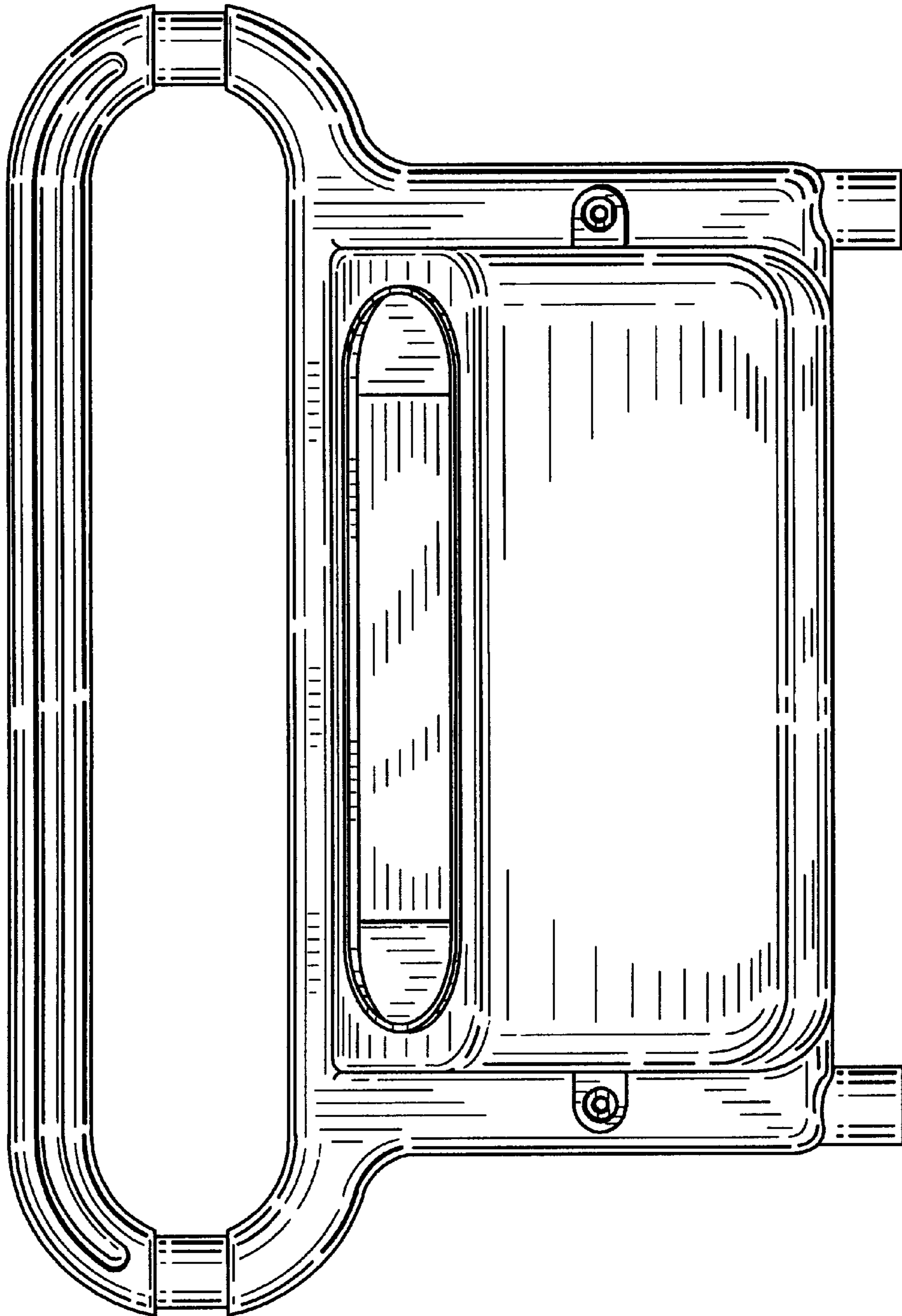


FIG. 2

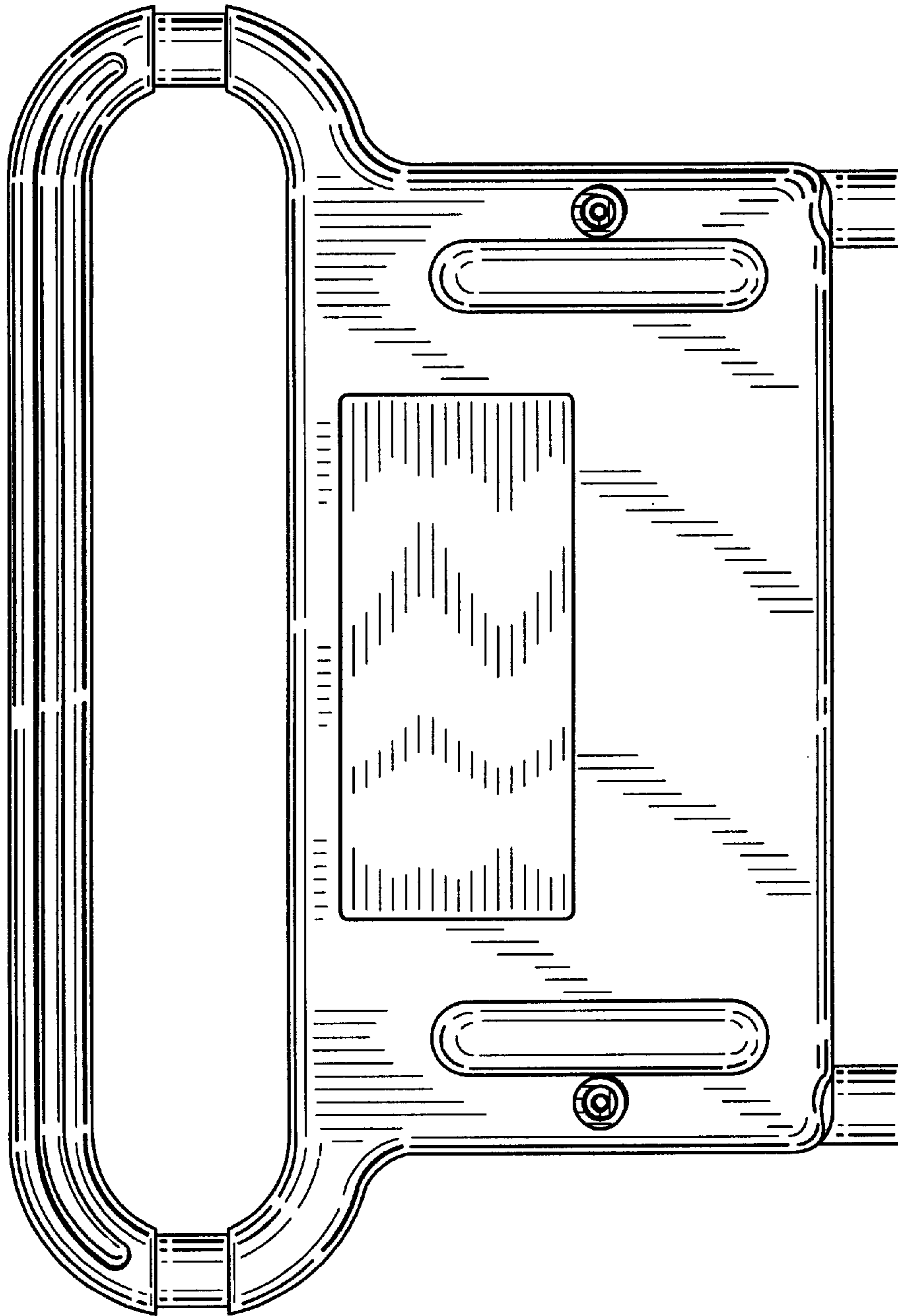


FIG. 3

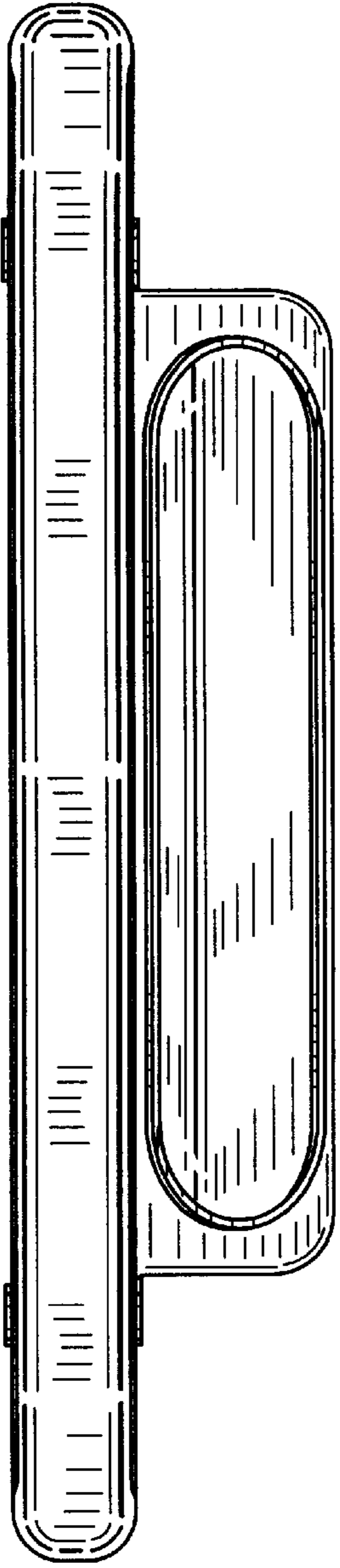


FIG. 5

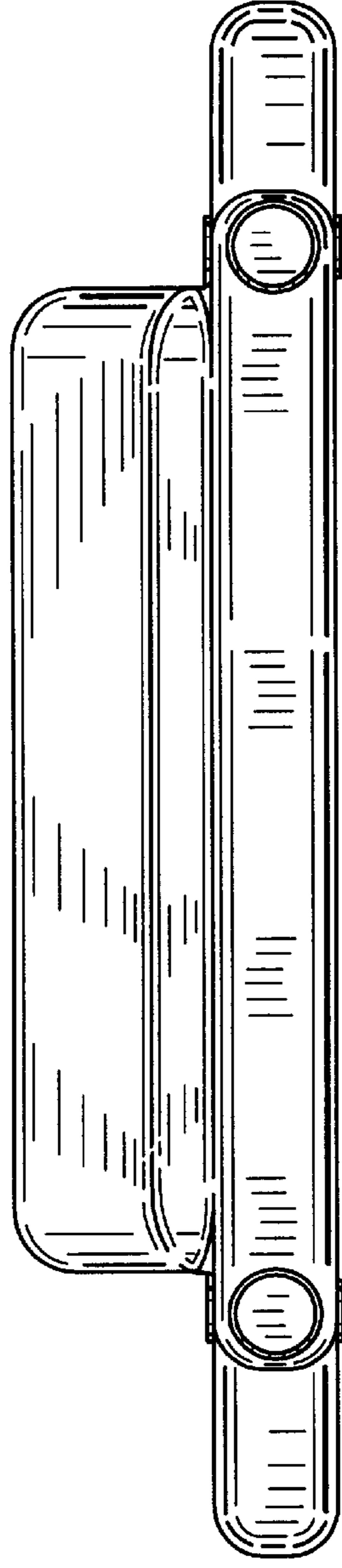


FIG. 6

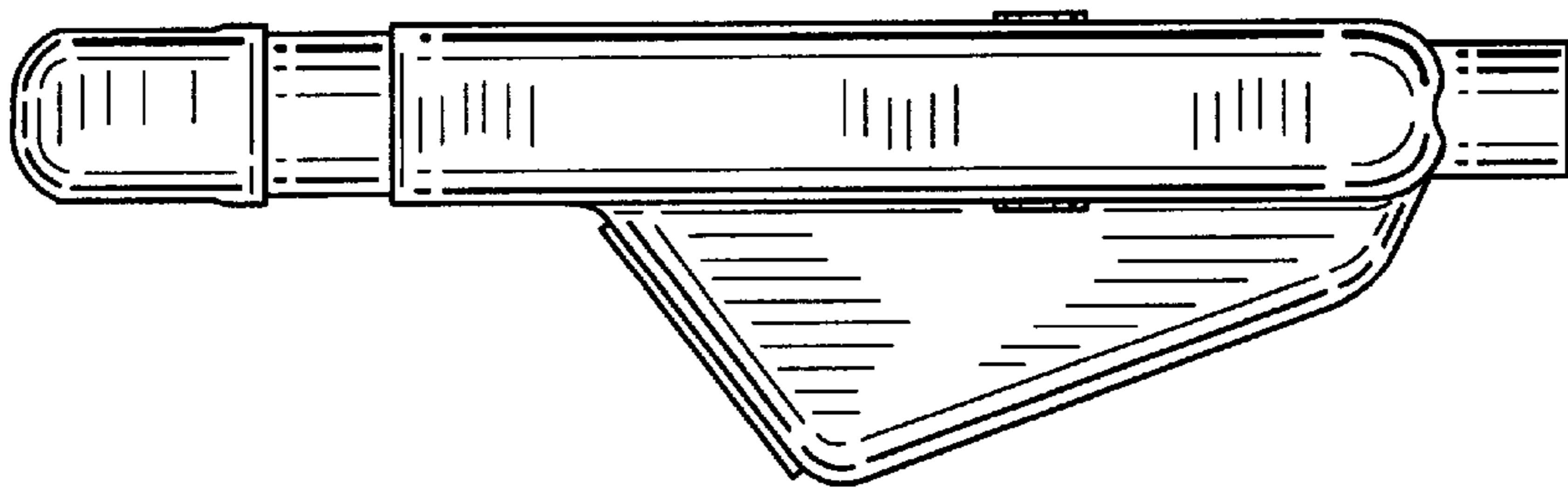


FIG. 4