



US00D427461S

United States Patent [19]

[11] Patent Number: Des. 427,461

Burns et al.

[45] Date of Patent: ** Jul. 4, 2000

[54] ADJUSTABLE BULLET FOOT INSERT

[75] Inventors: **Martin P. Burns**, Wilbraham; **Charles W. Wainwright**, West Springfield, both of Mass.

[73] Assignee: **Standex International Corporation**, Salem, N.H.

[**] Term: **14 Years**

[21] Appl. No.: **29/100,013**

[22] Filed: **Feb. 2, 1999**

[51] **LOC (7) Cl.** **06-06**

[52] **U.S. Cl.** **D6/495; D6/496**

[58] **Field of Search** D6/480, 495, 496, D6/499; 248/188.2, 188.5, 188.8, 188.9

[56] References Cited

U.S. PATENT DOCUMENTS

D. 376,713	12/1996	Kelso	D6/496
2,852,883	9/1958	Walsh	248/188.9
2,935,813	5/1960	Berman et al.	248/188.2
4,903,930	2/1990	Jann	248/188.2 X
5,267,713	12/1993	Lewis	248/188.2
5,647,286	7/1997	Dunn	248/188.2 X
5,826,850	10/1998	Goldsmith	248/188.8 X

Primary Examiner—Louis S. Zarfes
Assistant Examiner—Monica A. Weingart
Attorney, Agent, or Firm—William B Ritchie

[57] CLAIM

The ornamental design for the adjustable bullet foot insert, as shown and described.

DESCRIPTION

FIG. 1 is an isometric view of the first embodiment of the adjustable bullet foot insert in accordance with the invention.

FIG. 2 is a side view of the embodiment of FIG. 1 showing the foot fully extended.

FIG. 3 is a side view of the embodiment of FIG. 1 showing the foot fully retracted.

FIG. 4 is a bottom view of the embodiment of FIG. 1.

FIG. 5 is a top view of the embodiment of FIG. 1.

FIG. 6 is an isometric view of a second alternative embodiment of the adjustable bullet foot insert in accordance with the invention.

FIG. 7 is a side view of the embodiment of FIG. 6 showing the foot fully extended.

FIG. 8 is a side view of the embodiment of FIG. 6 showing the foot fully retracted.

FIG. 9 is a bottom view of the embodiment of FIG. 6.

FIG. 10 is a top view of the embodiment of FIG. 6.

FIG. 11 is an isometric view of a third alternative embodiment of the adjustable bullet foot insert in accordance with the invention.

FIG. 12 is a side view of the embodiment of FIG. 11 showing the foot fully extended.

FIG. 13 is a side view of the embodiment of FIG. 11 showing the foot fully retracted.

FIG. 14 is a bottom view of the embodiment of FIG. 11.

FIG. 15 is a top view of the embodiment of FIG. 11.

FIG. 16 is an isometric view of a fourth alternative embodiment of the adjustable bullet foot insert in accordance with the invention.

FIG. 17 is a side view of the embodiment of FIG. 16 showing the foot fully extended.

FIG. 18 is a side view of the embodiment of FIG. 16 showing the foot fully retracted.

FIG. 19 is a bottom view of the embodiment of FIG. 16.

FIG. 20 is a top view of the embodiment of FIG. 16.

FIG. 21 is an isometric view of the preferred embodiment of the adjustable bullet foot insert in accordance with the invention.

FIG. 22 is a side view of the embodiment of FIG. 21 showing the foot fully extended.

FIG. 23 is a side view of the embodiment of FIG. 21 showing the foot fully retracted.

FIG. 24 is a bottom view of the embodiment of FIG. 21; and,

FIG. 25 is a top view of the embodiment of FIG. 21.

1 Claim, 15 Drawing Sheets

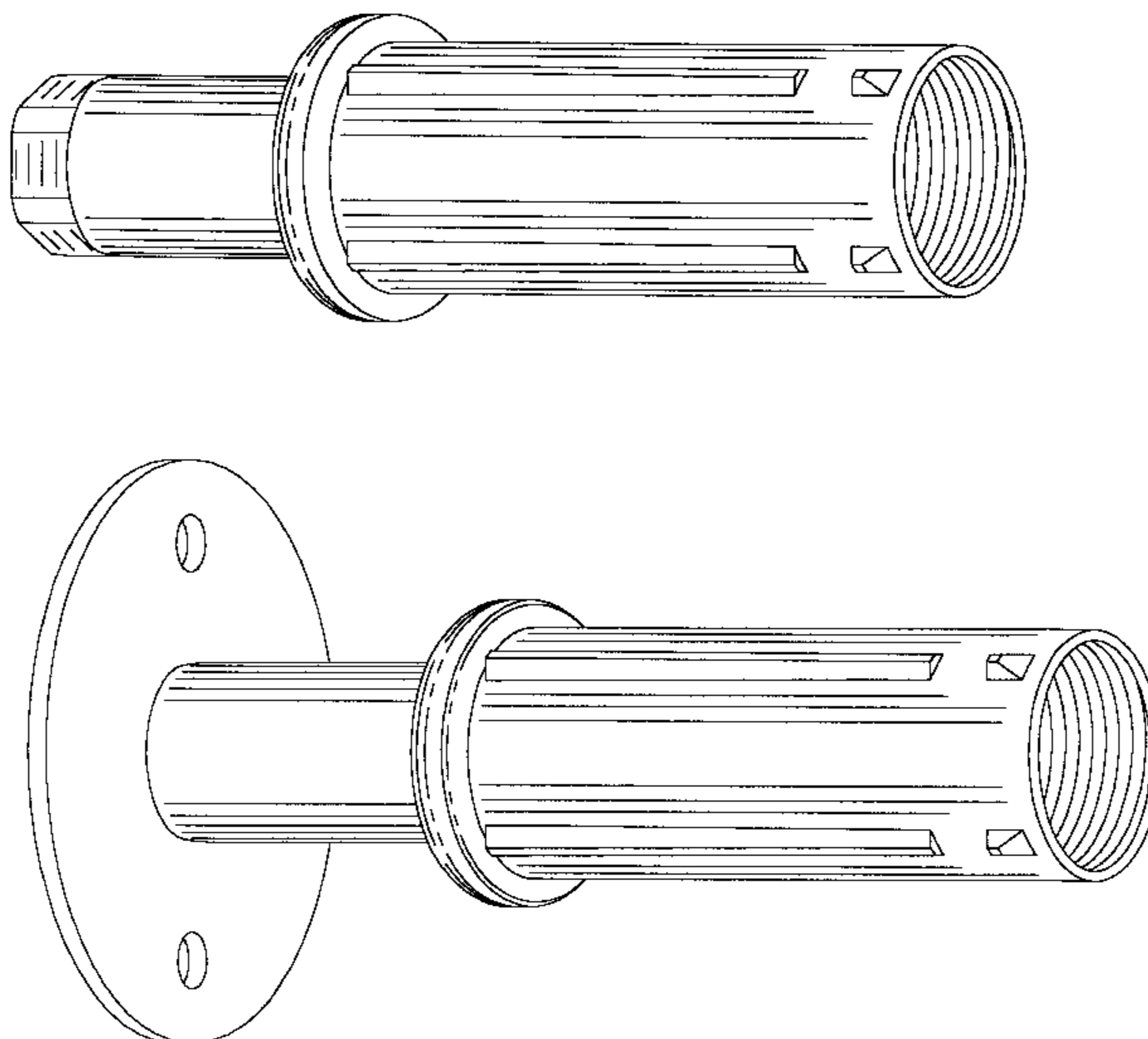


FIG. 1

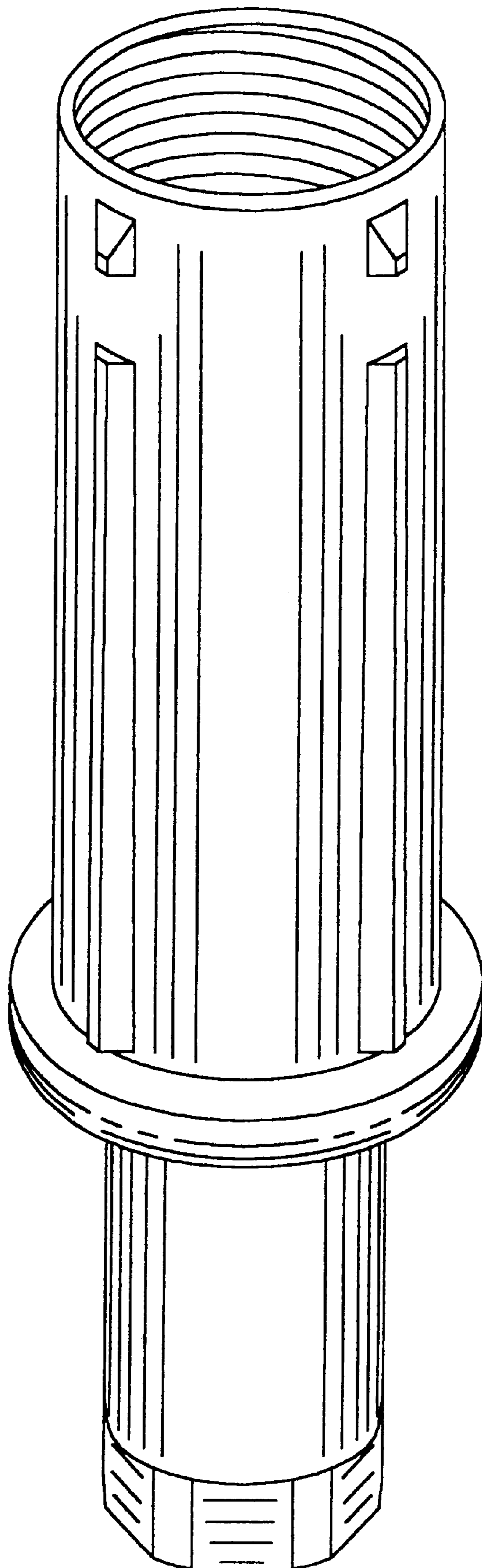


FIG. 2

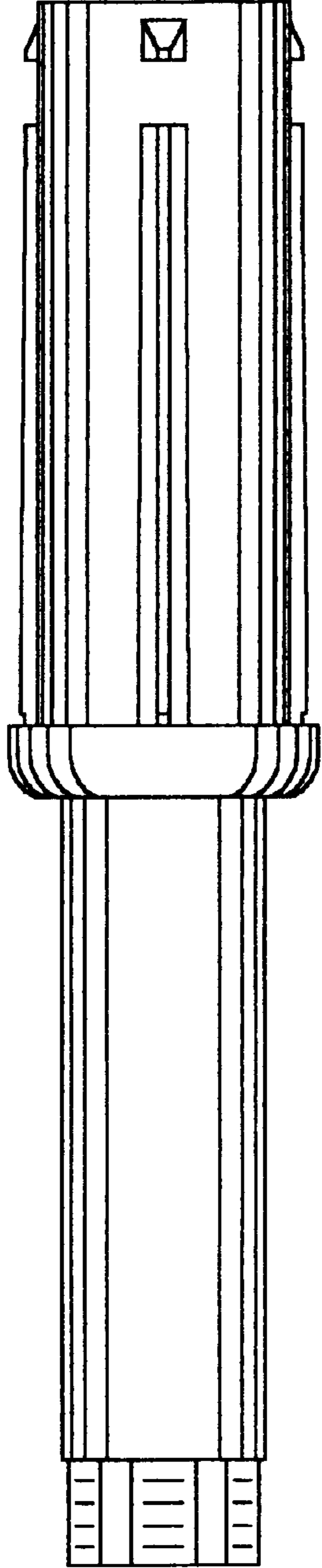


FIG. 3

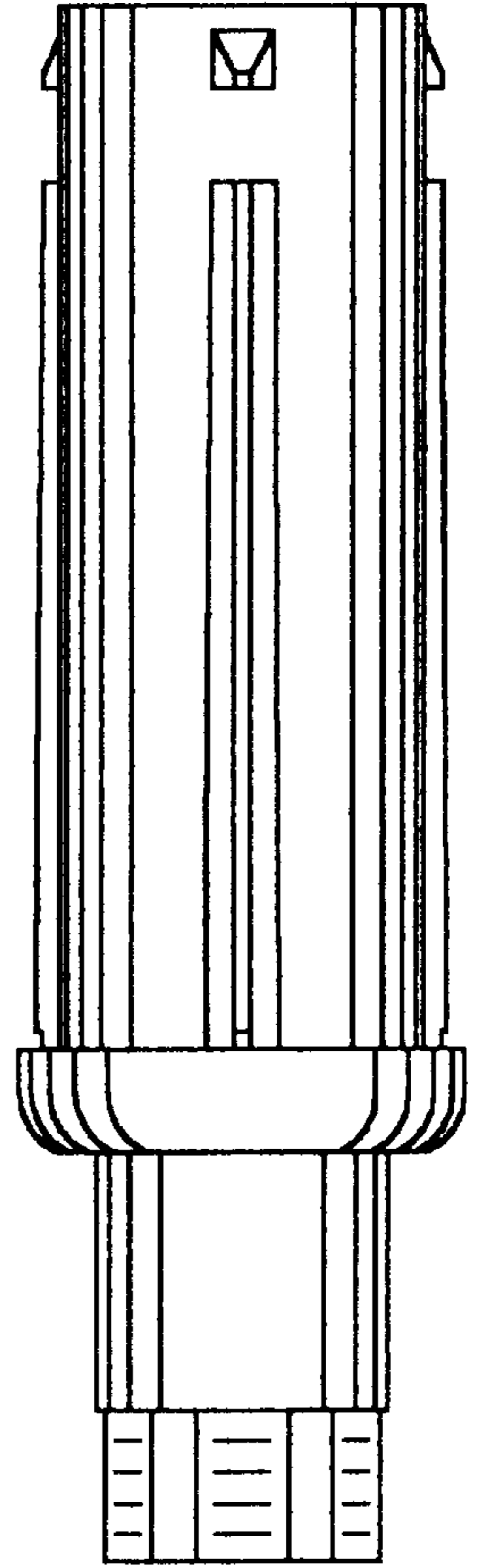


FIG. 4

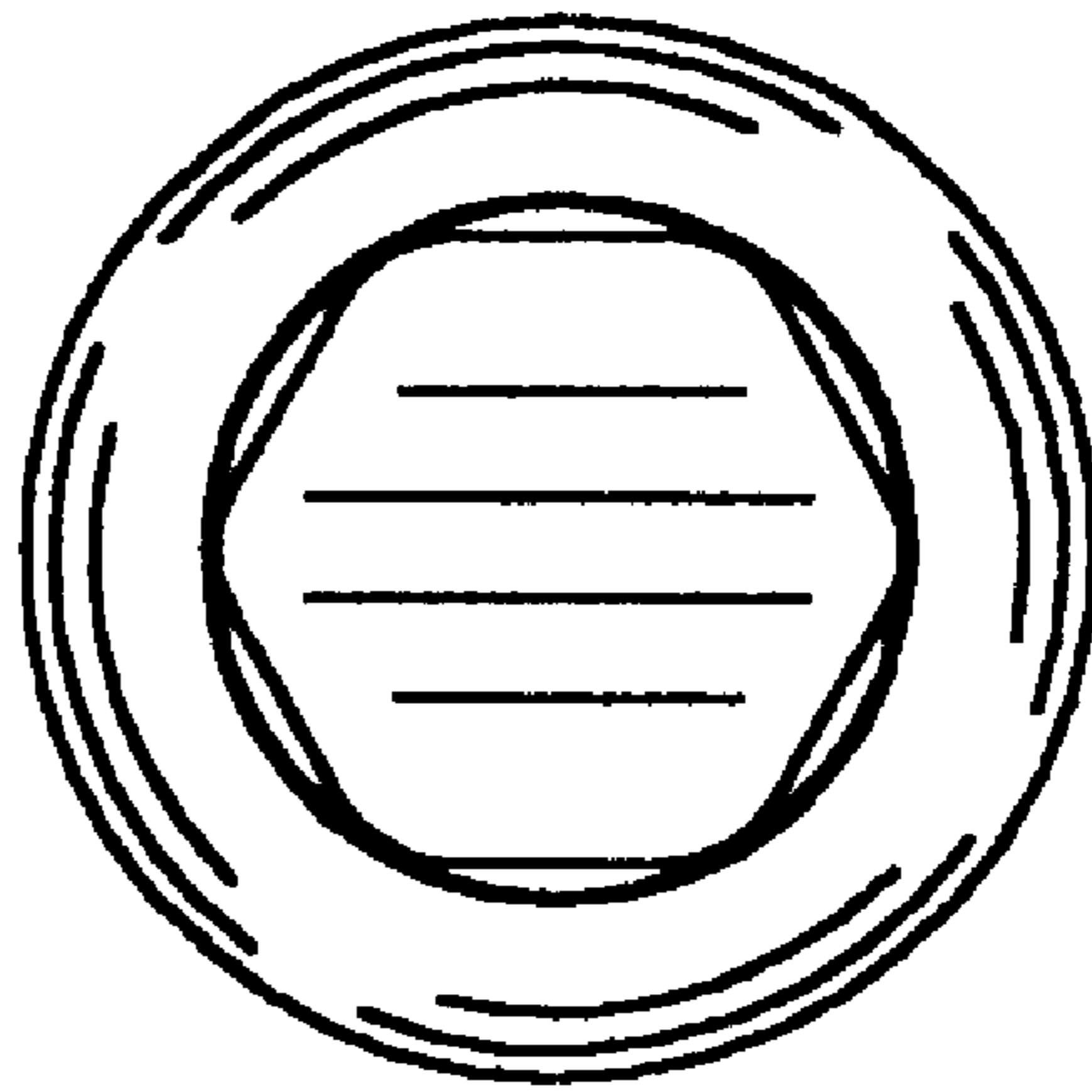


FIG. 5

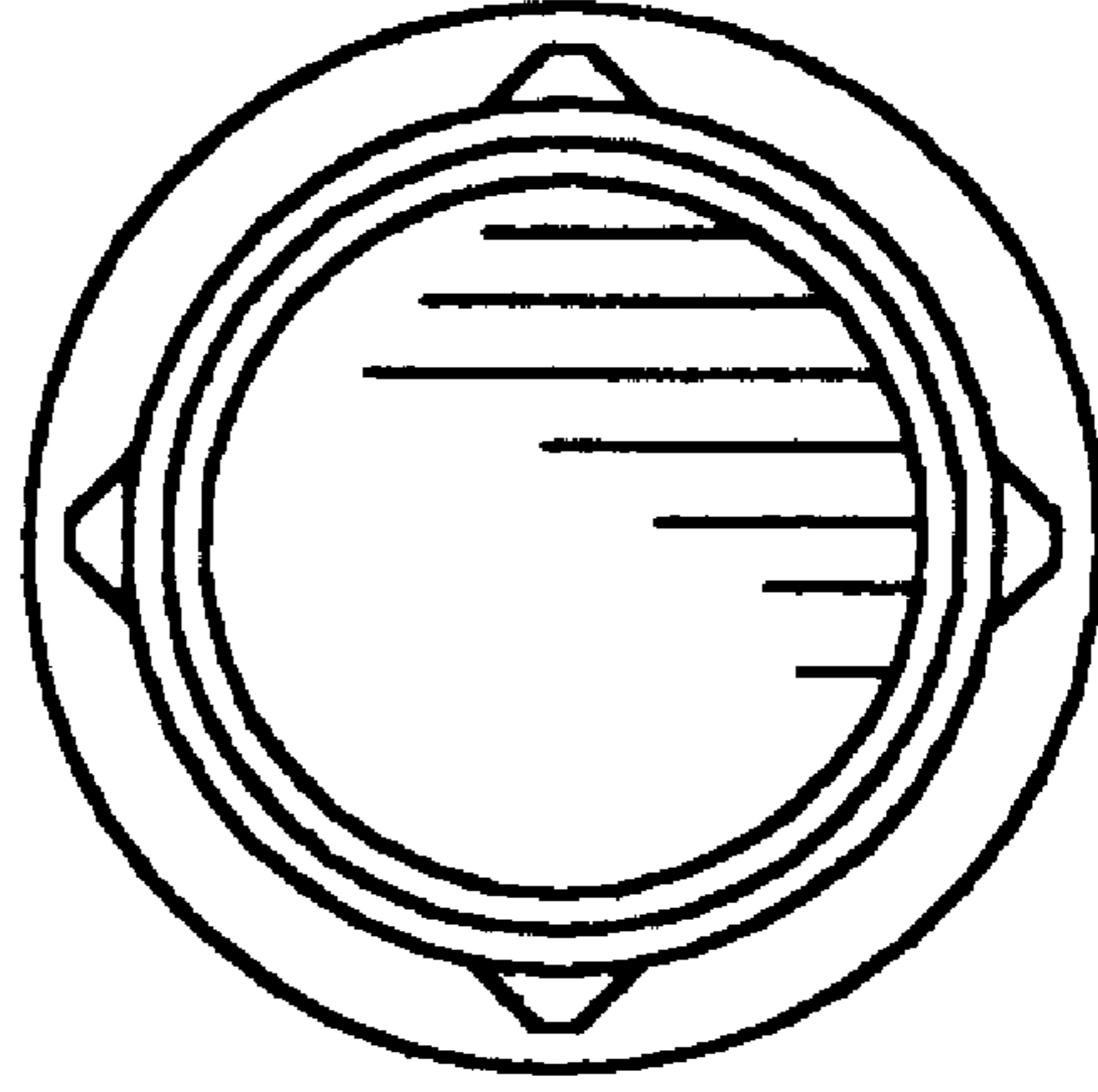


FIG. 6

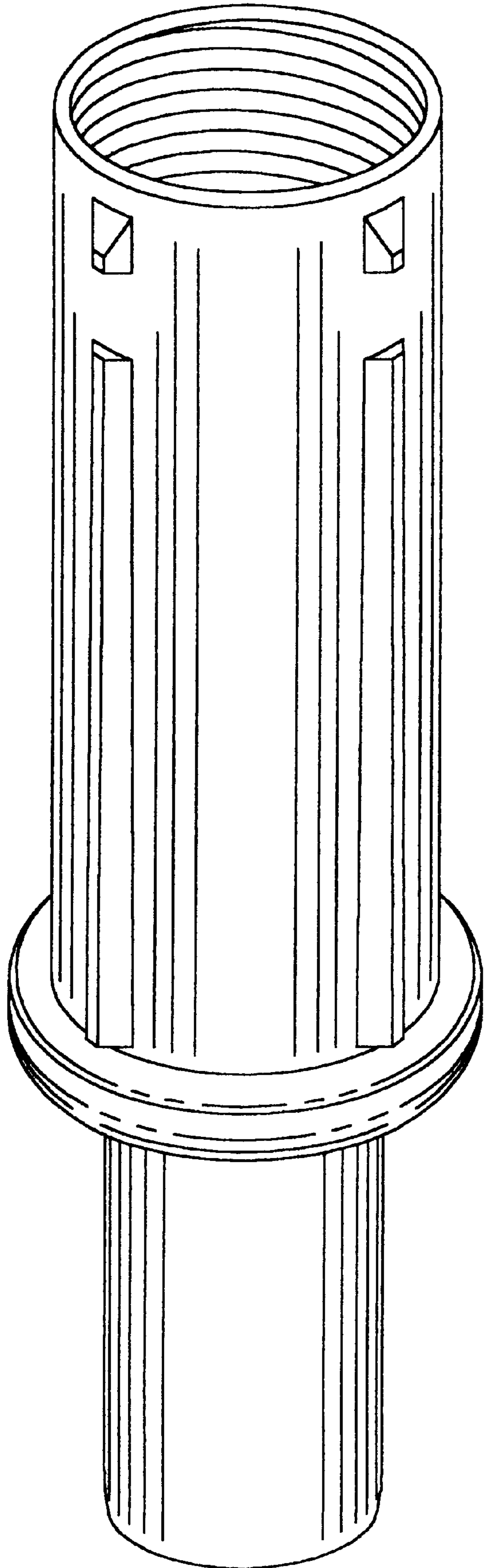


FIG. 7

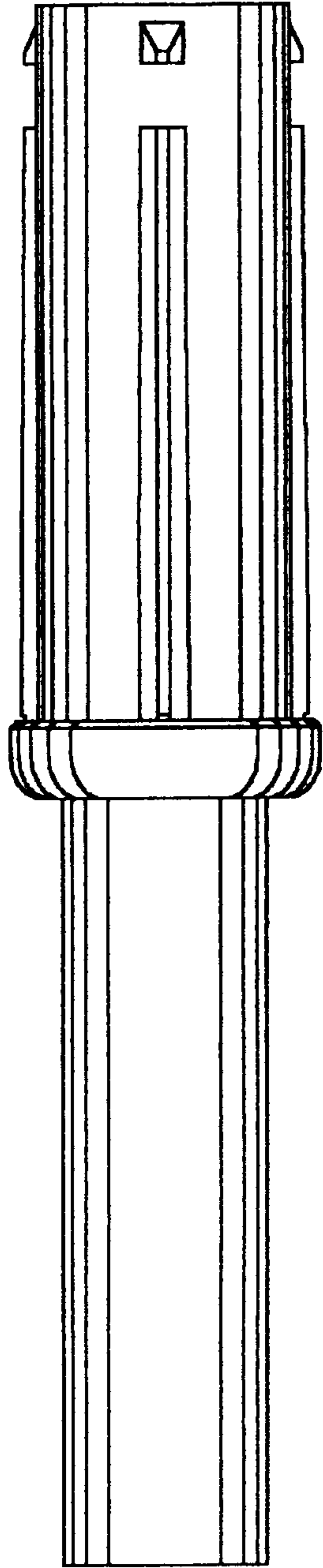


FIG. 8

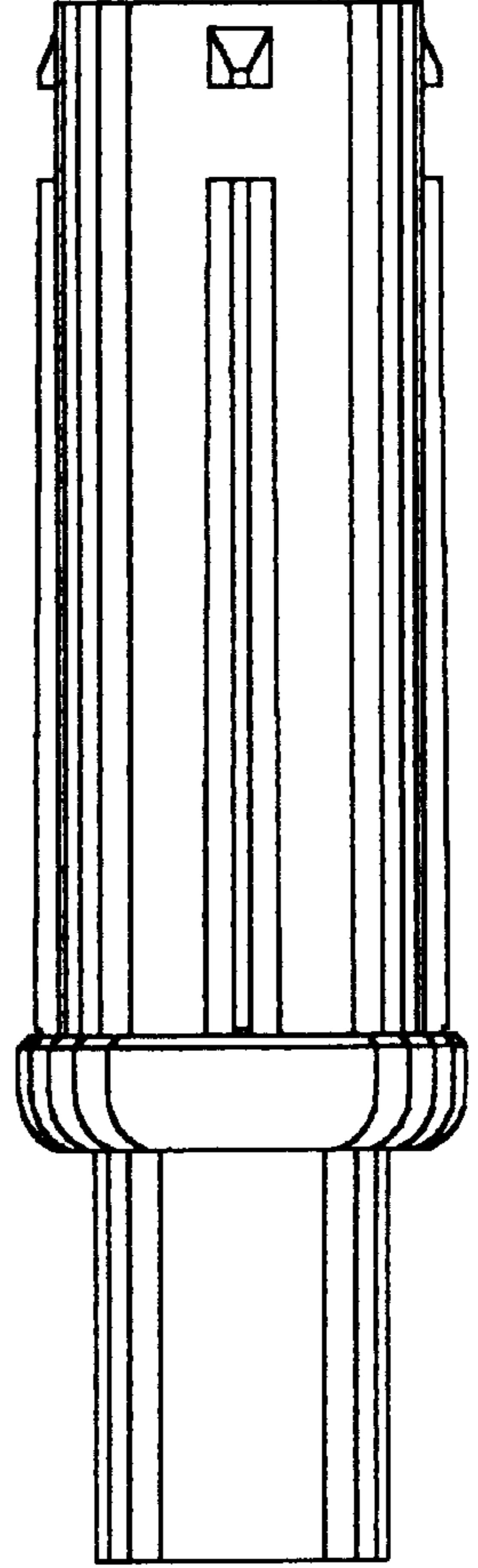


FIG. 10

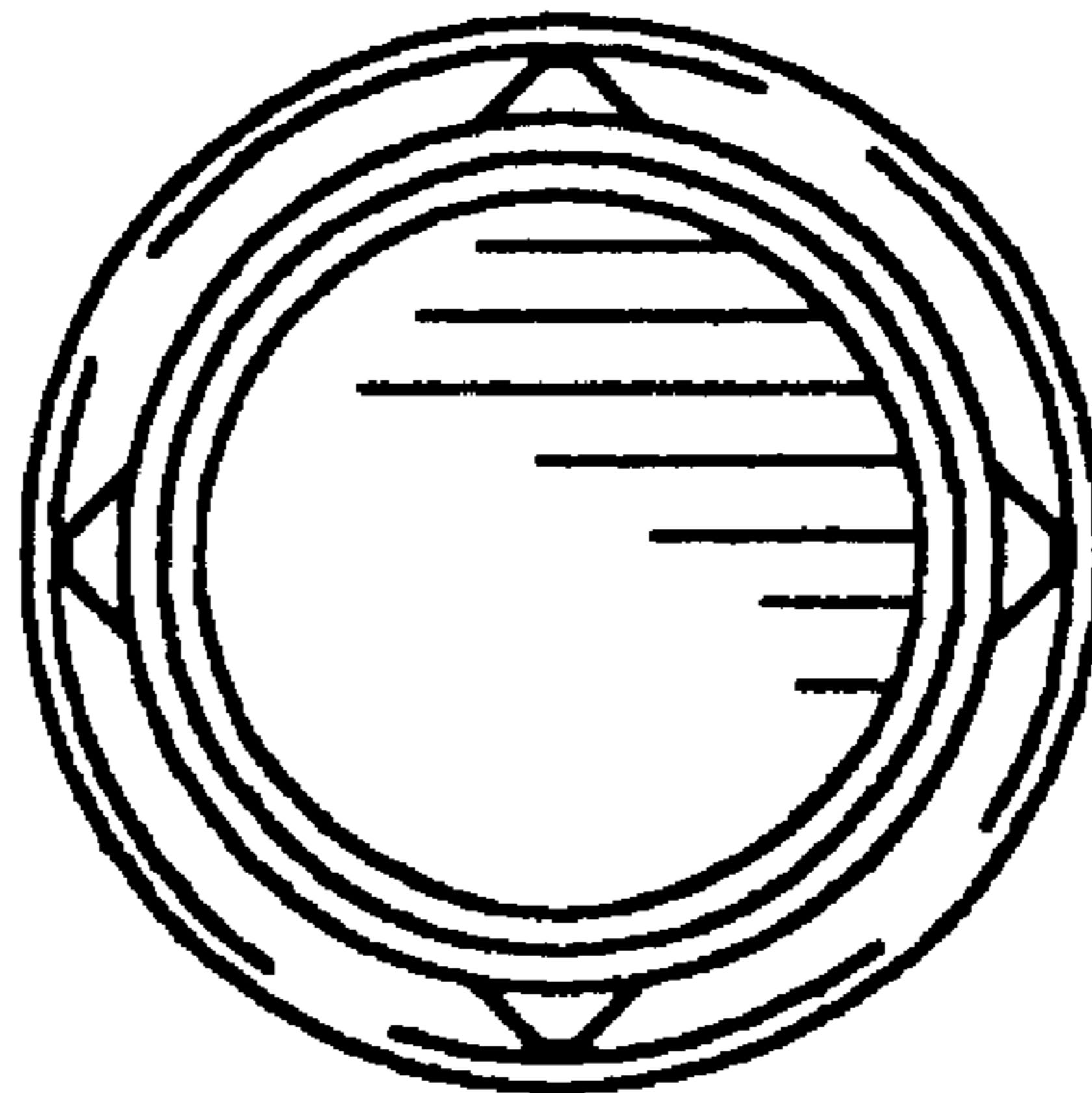


FIG. 9

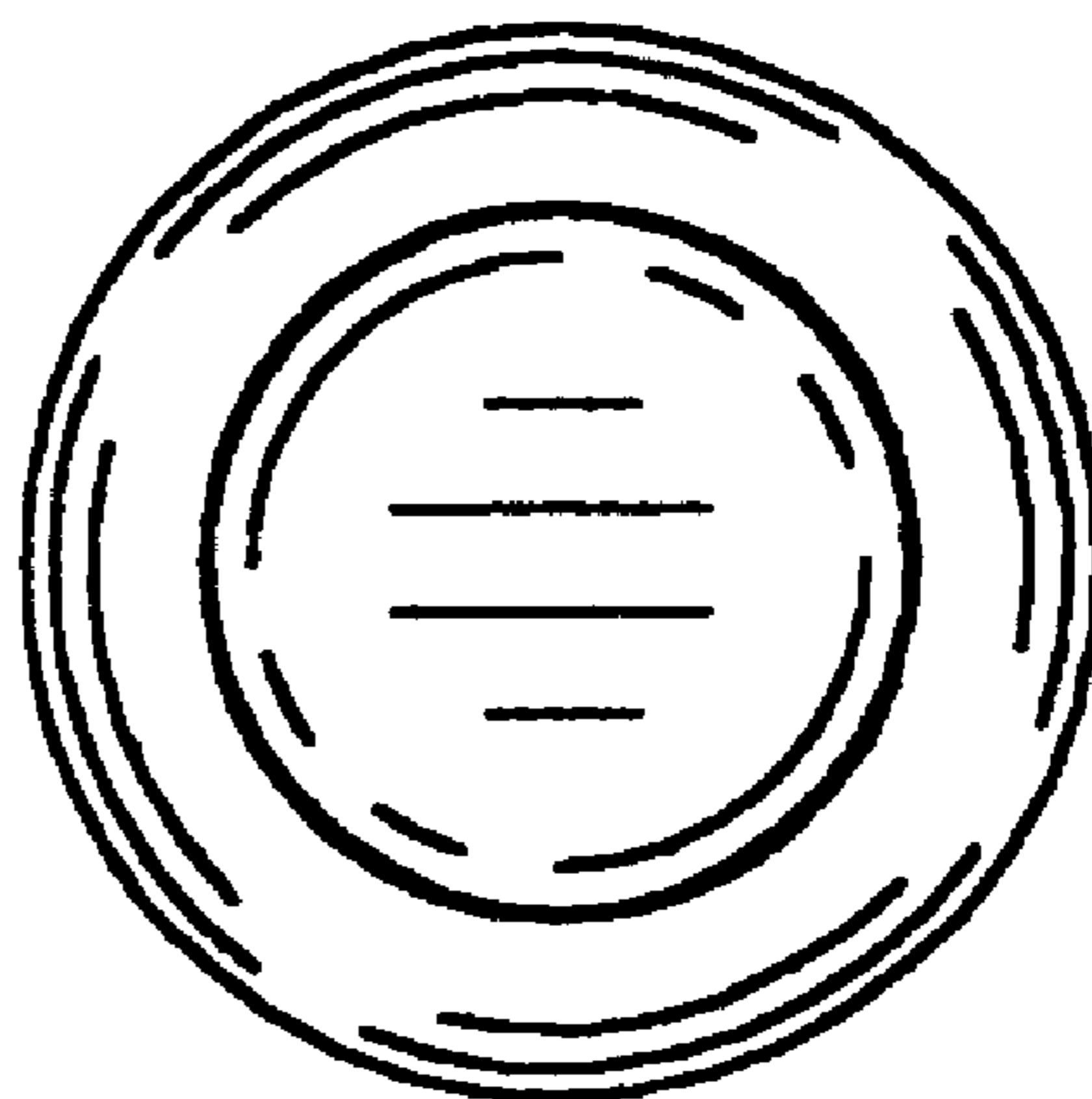


FIG. 11

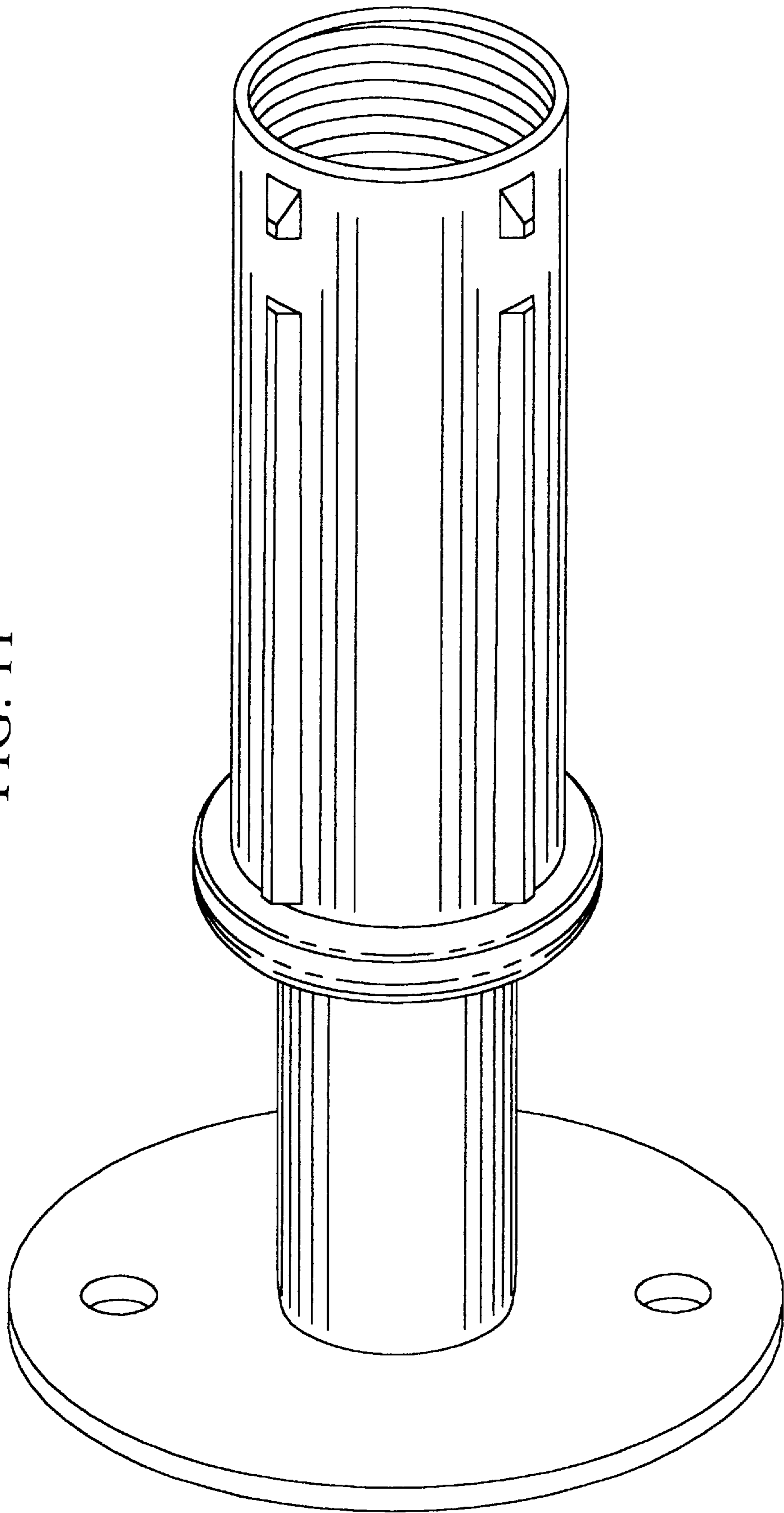


FIG. 12

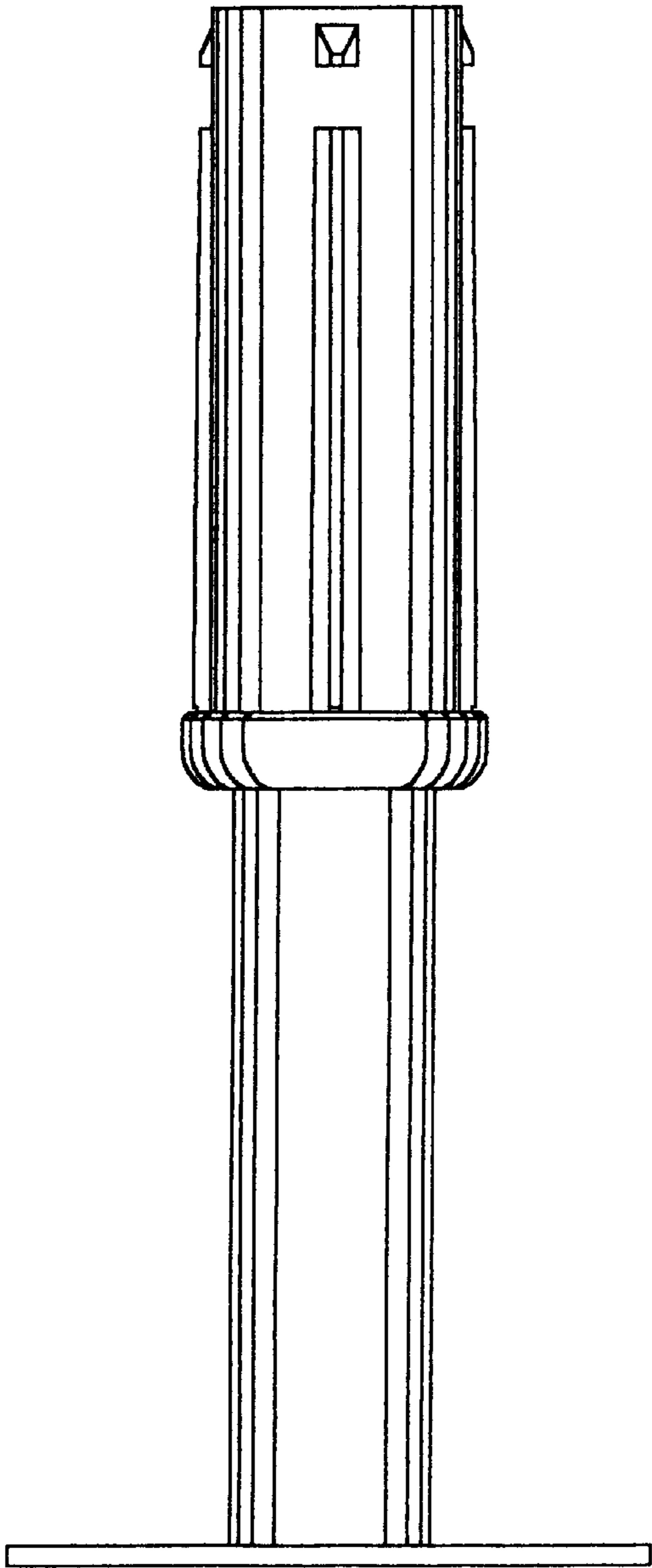


FIG. 13

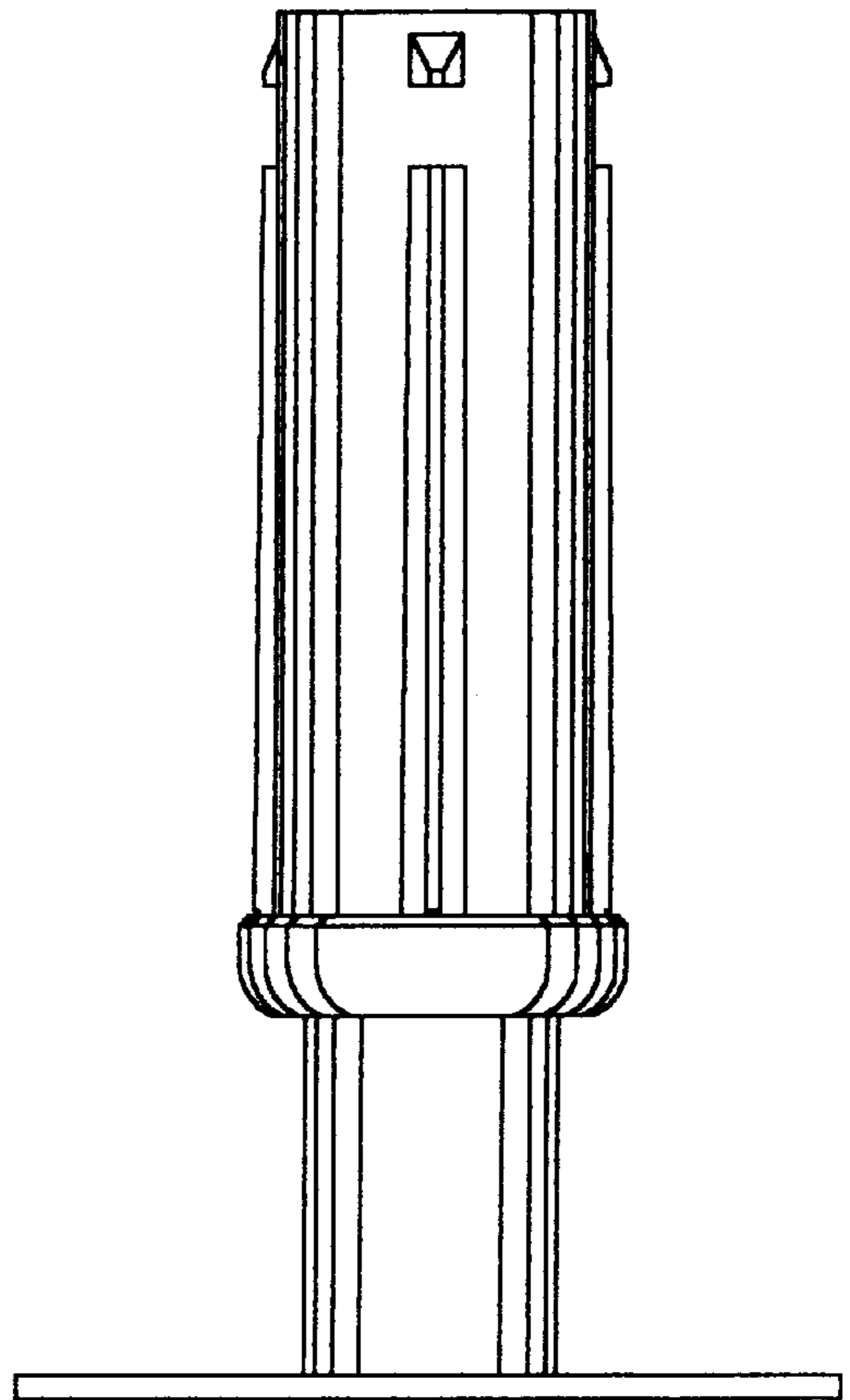


FIG. 15

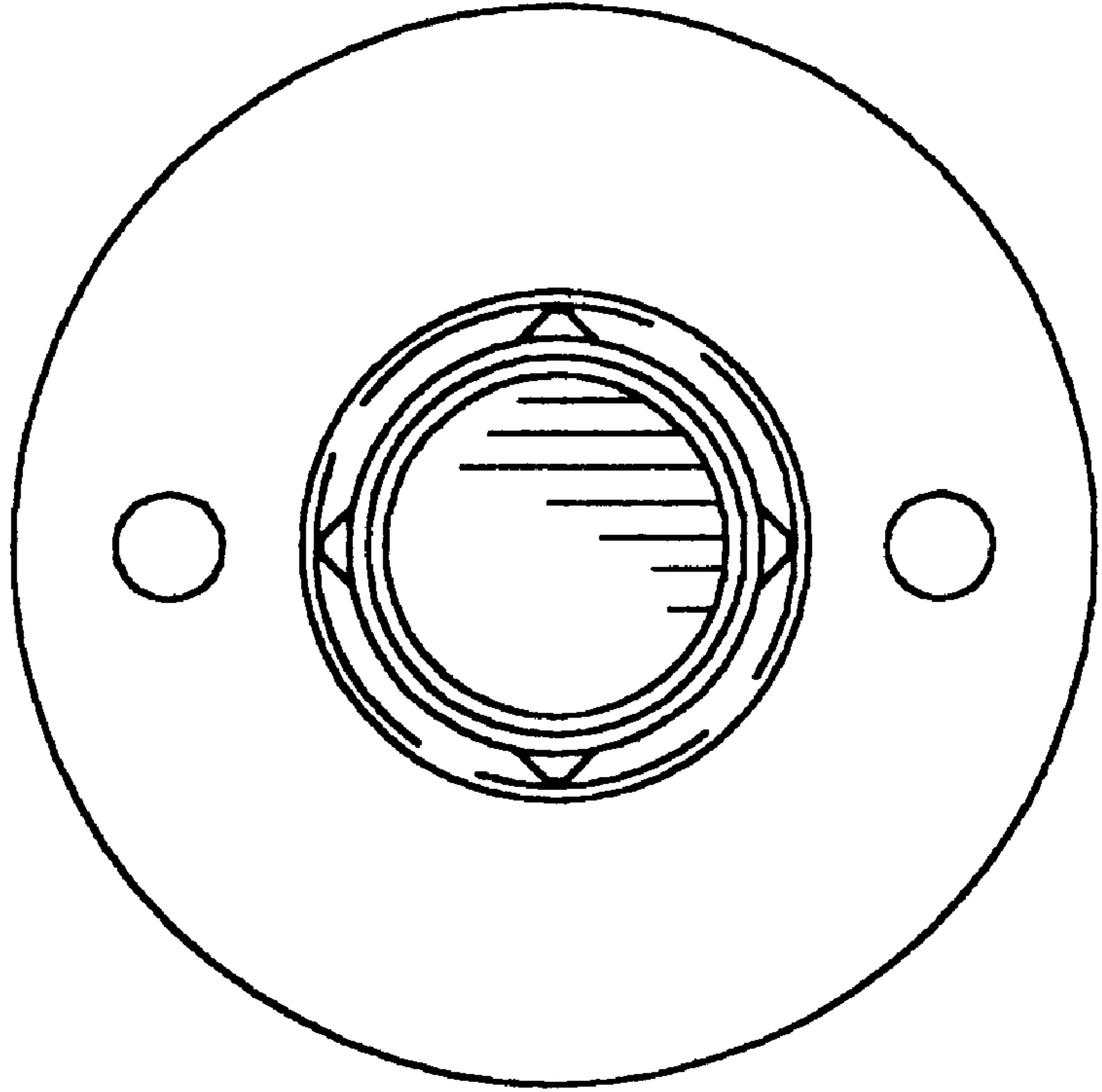


FIG. 14

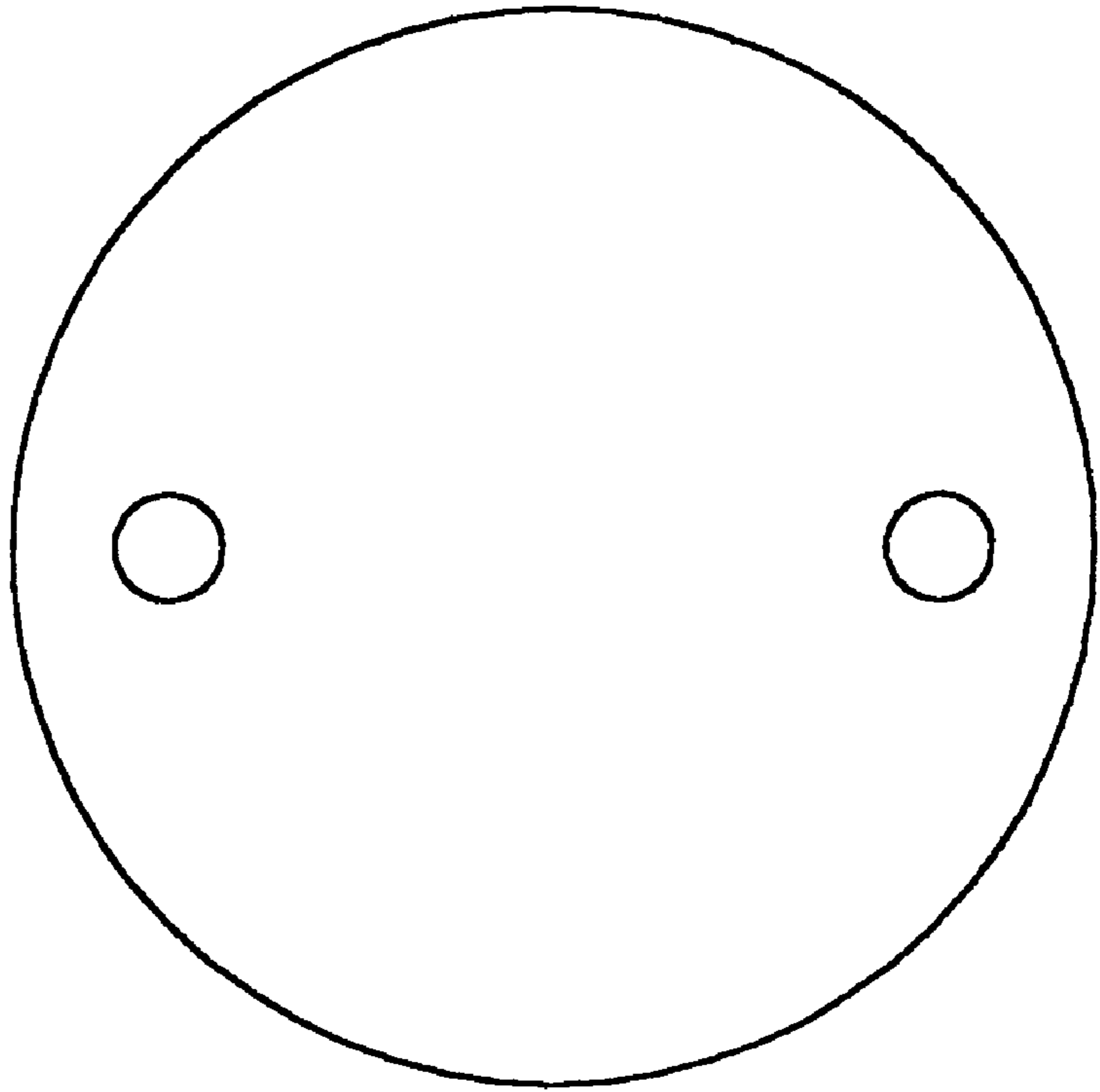


FIG. 16

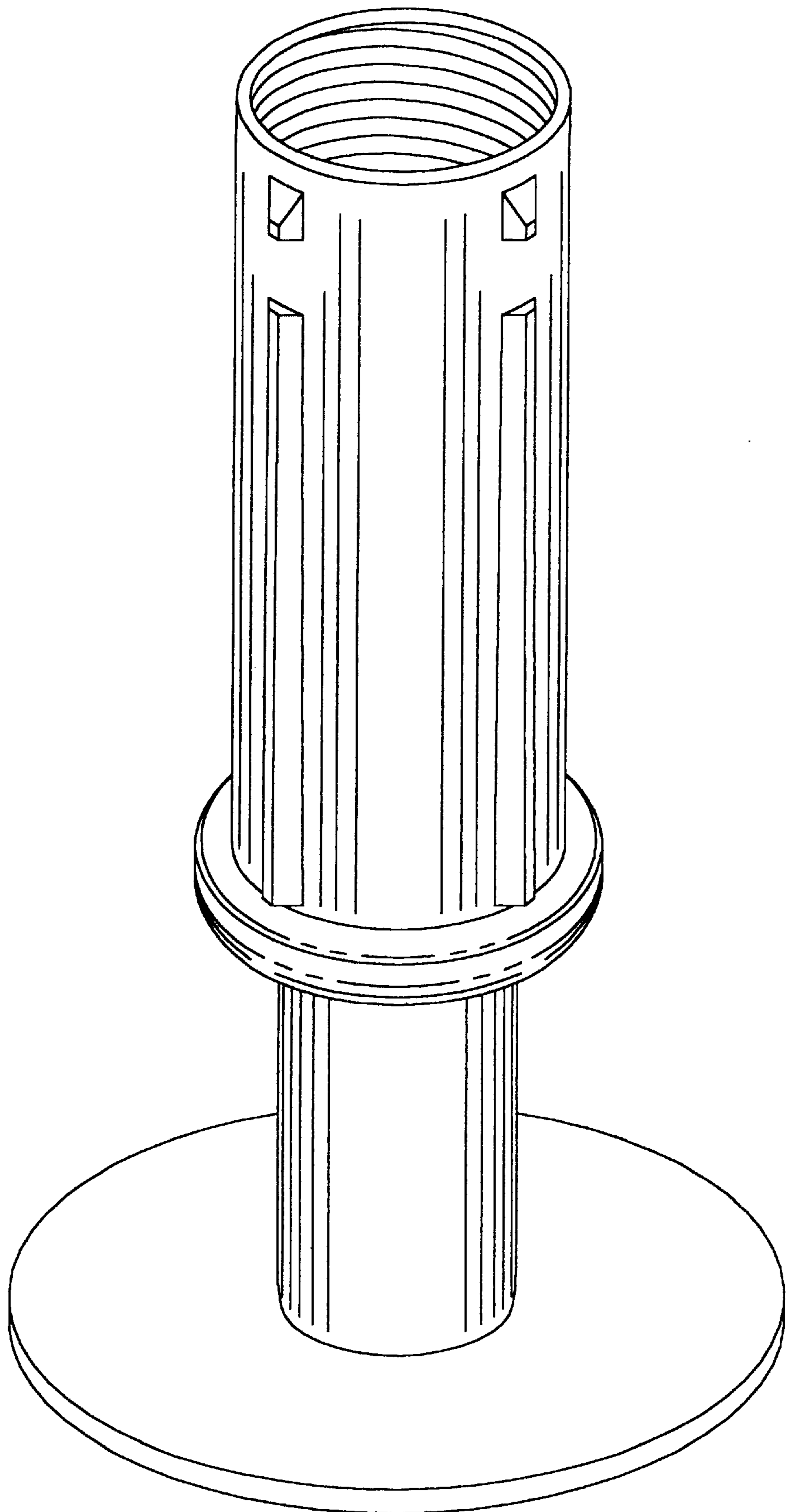


FIG. 17

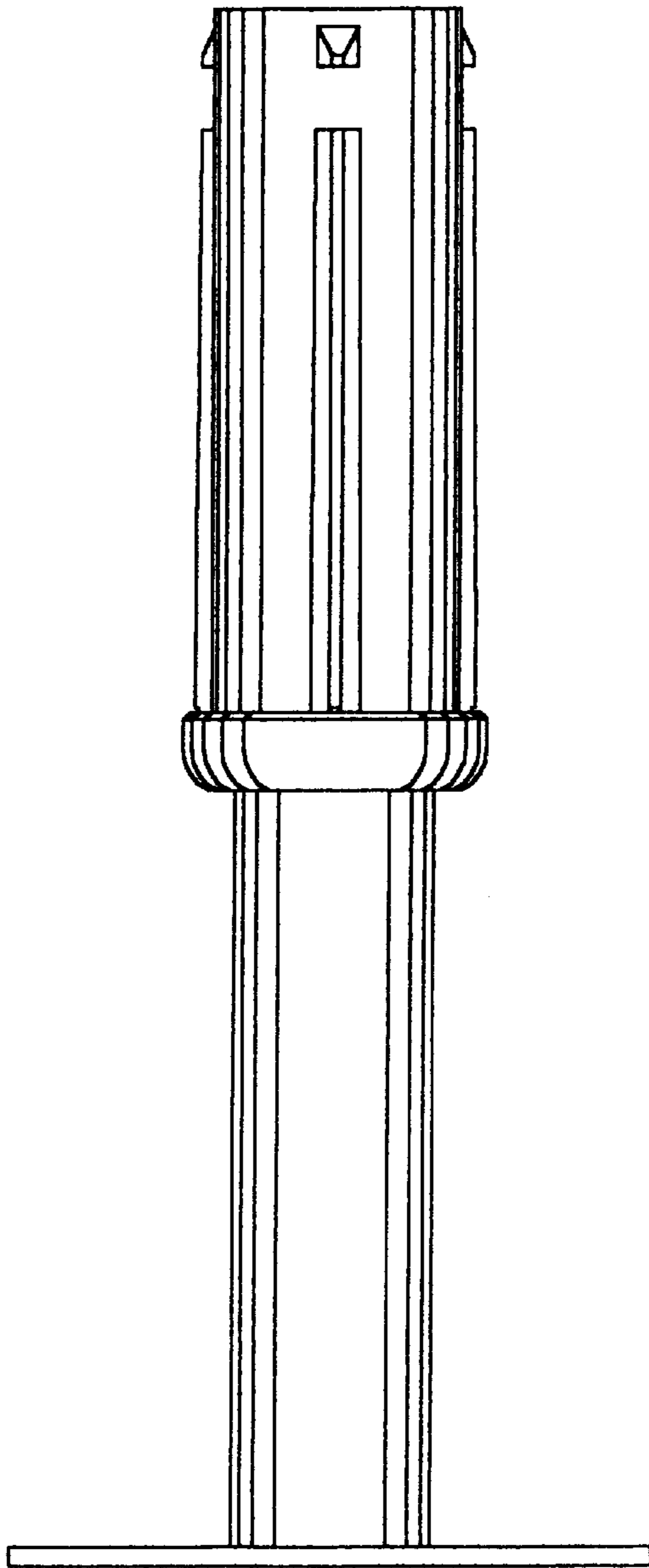


FIG. 18

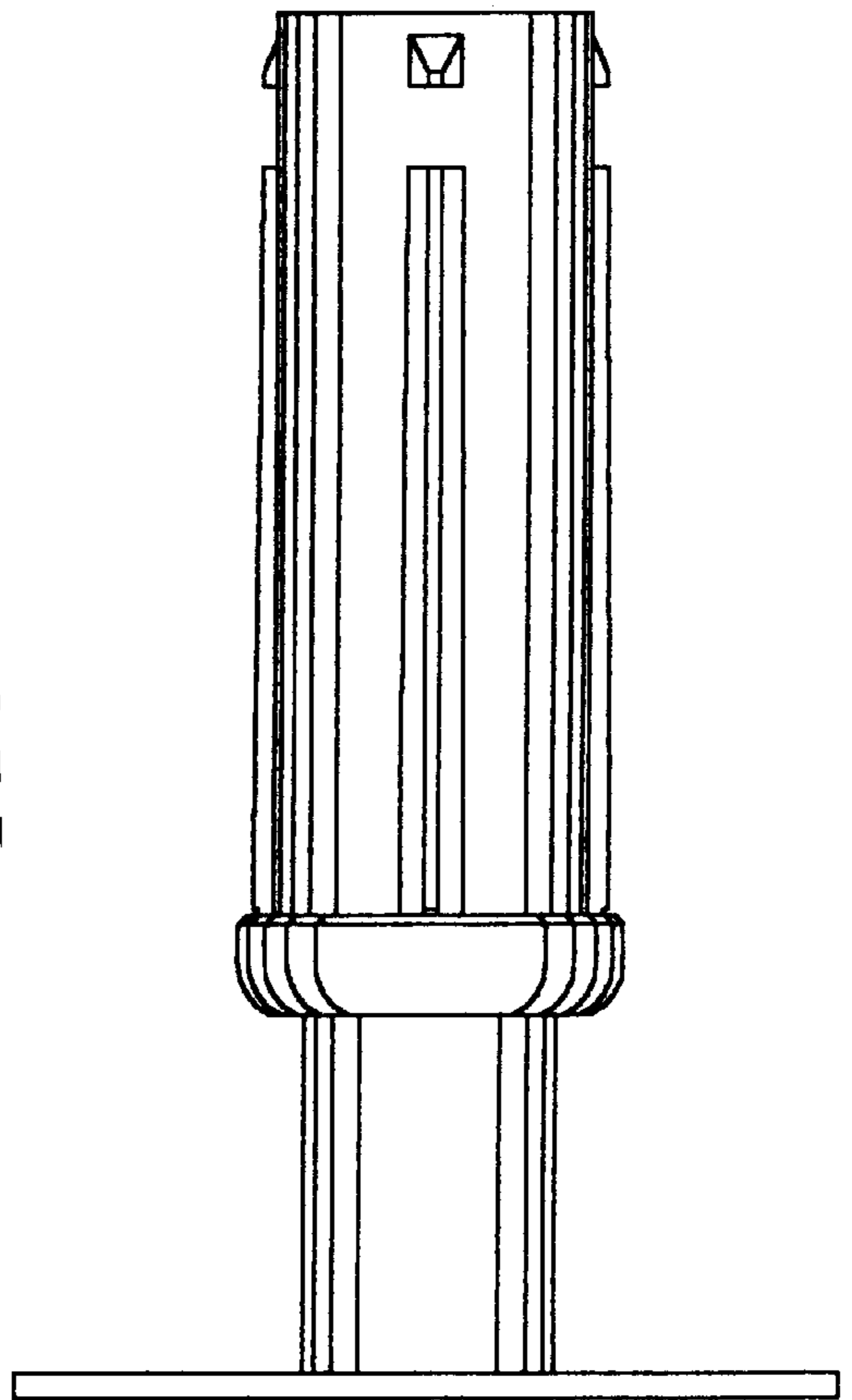


FIG. 20

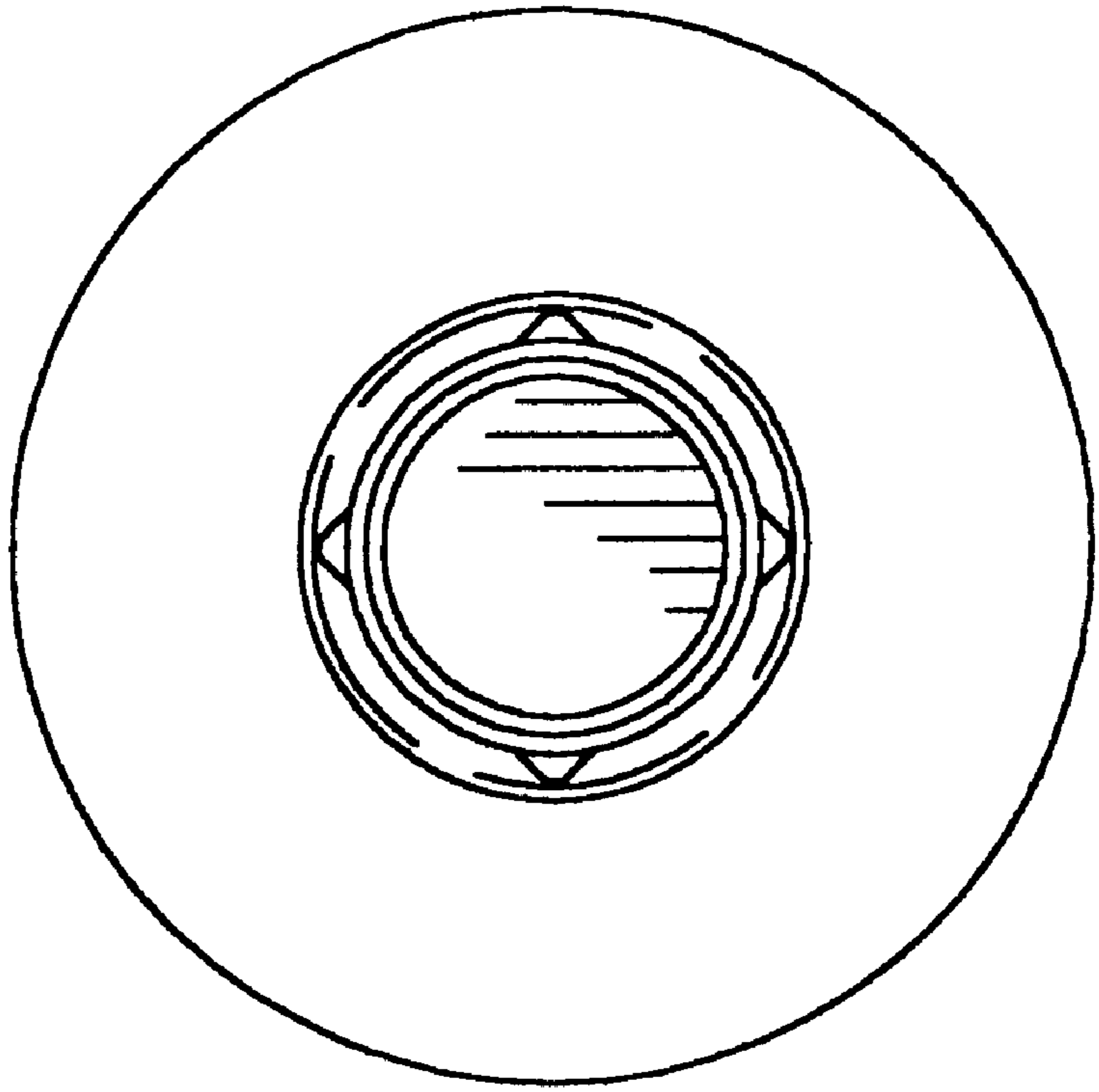


FIG. 19

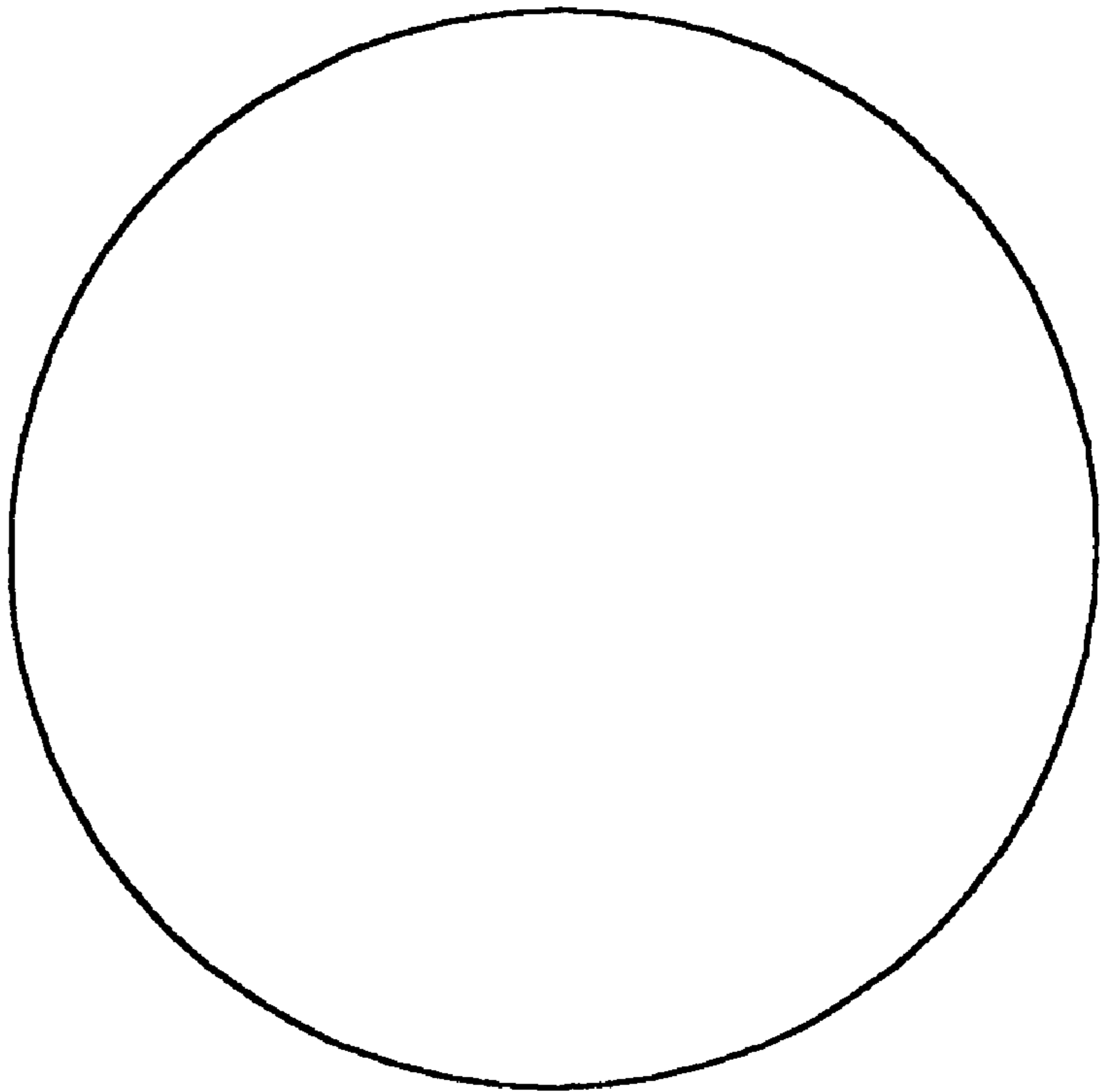
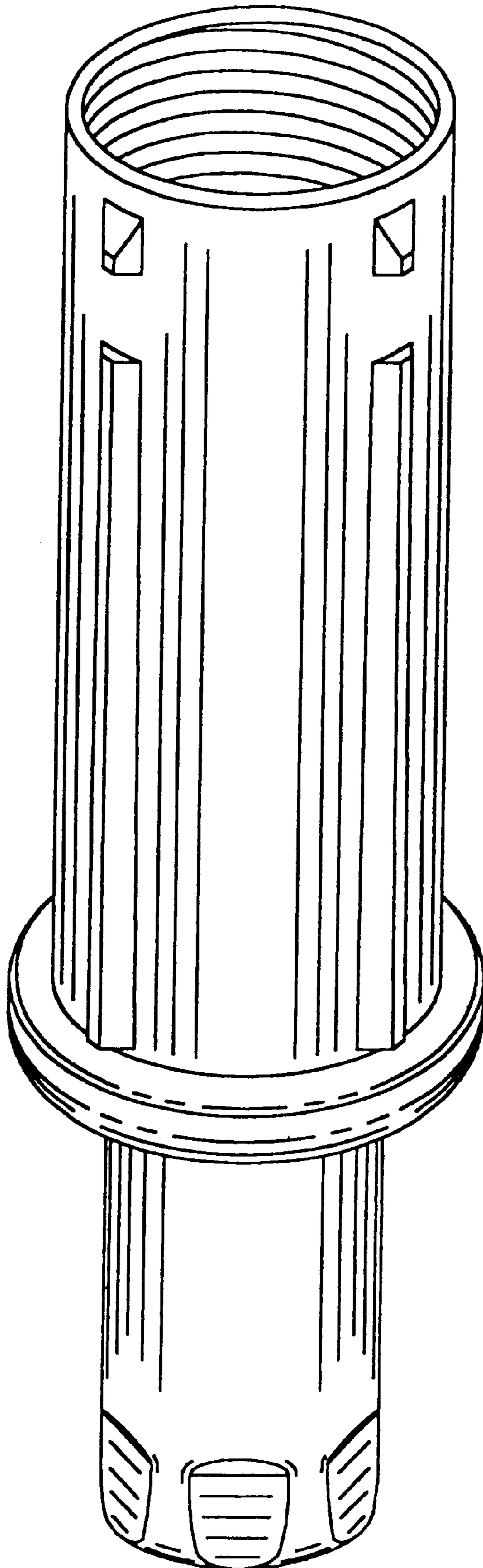


FIG. 21



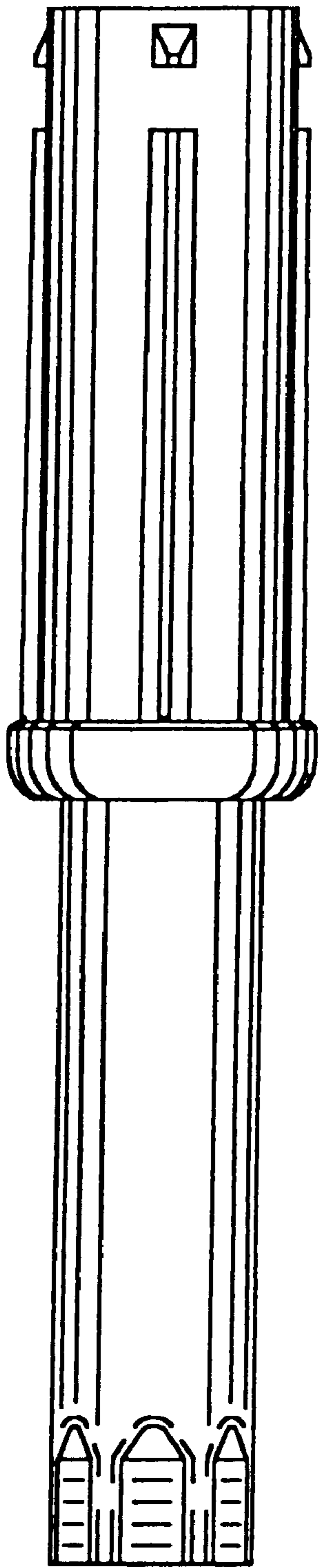


FIG. 22

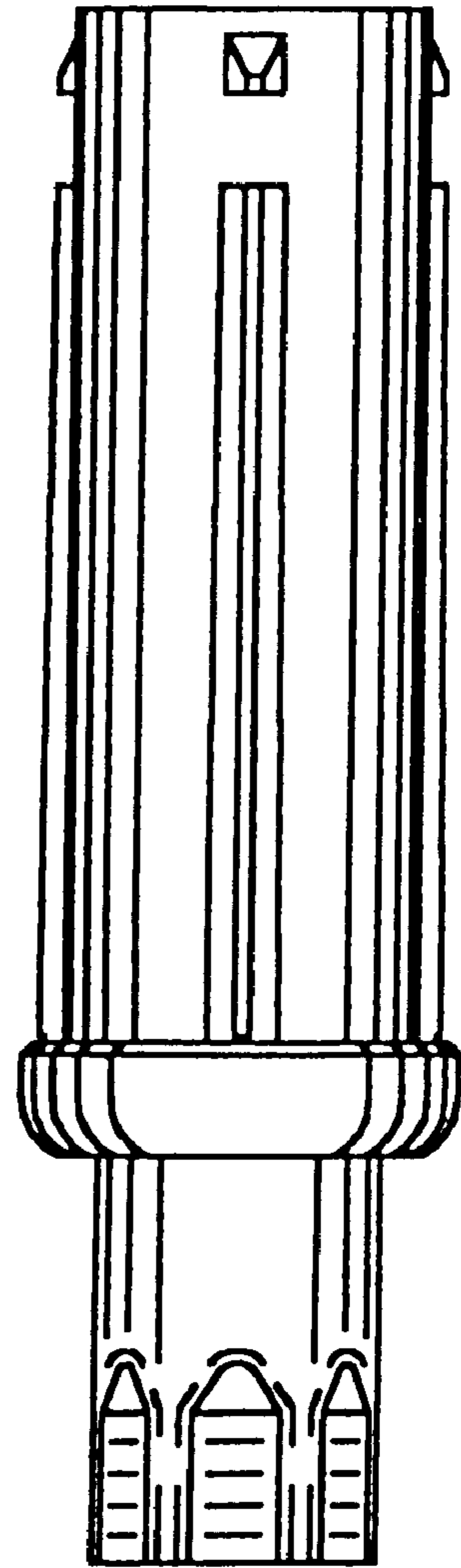


FIG. 23

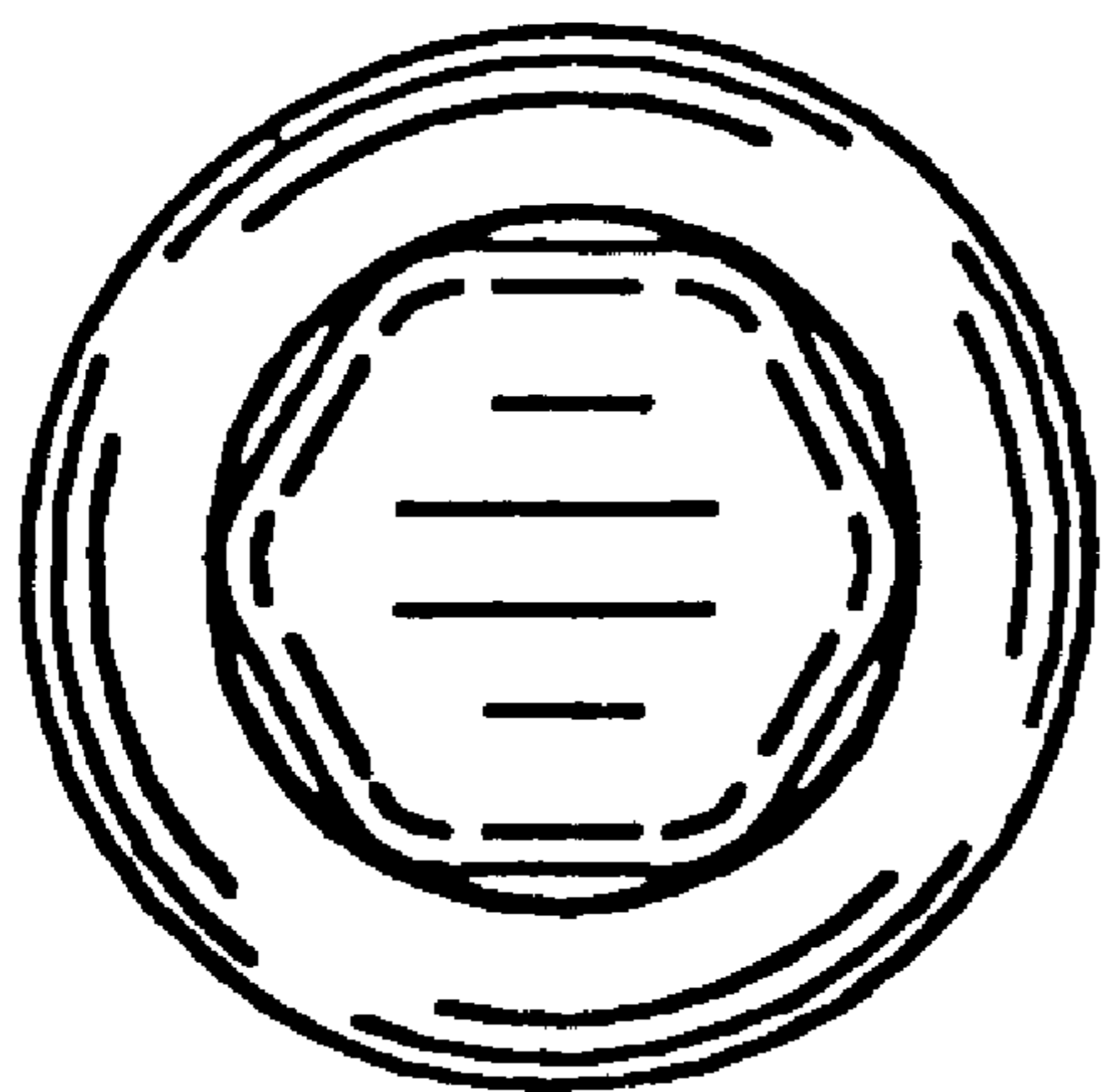


FIG. 24

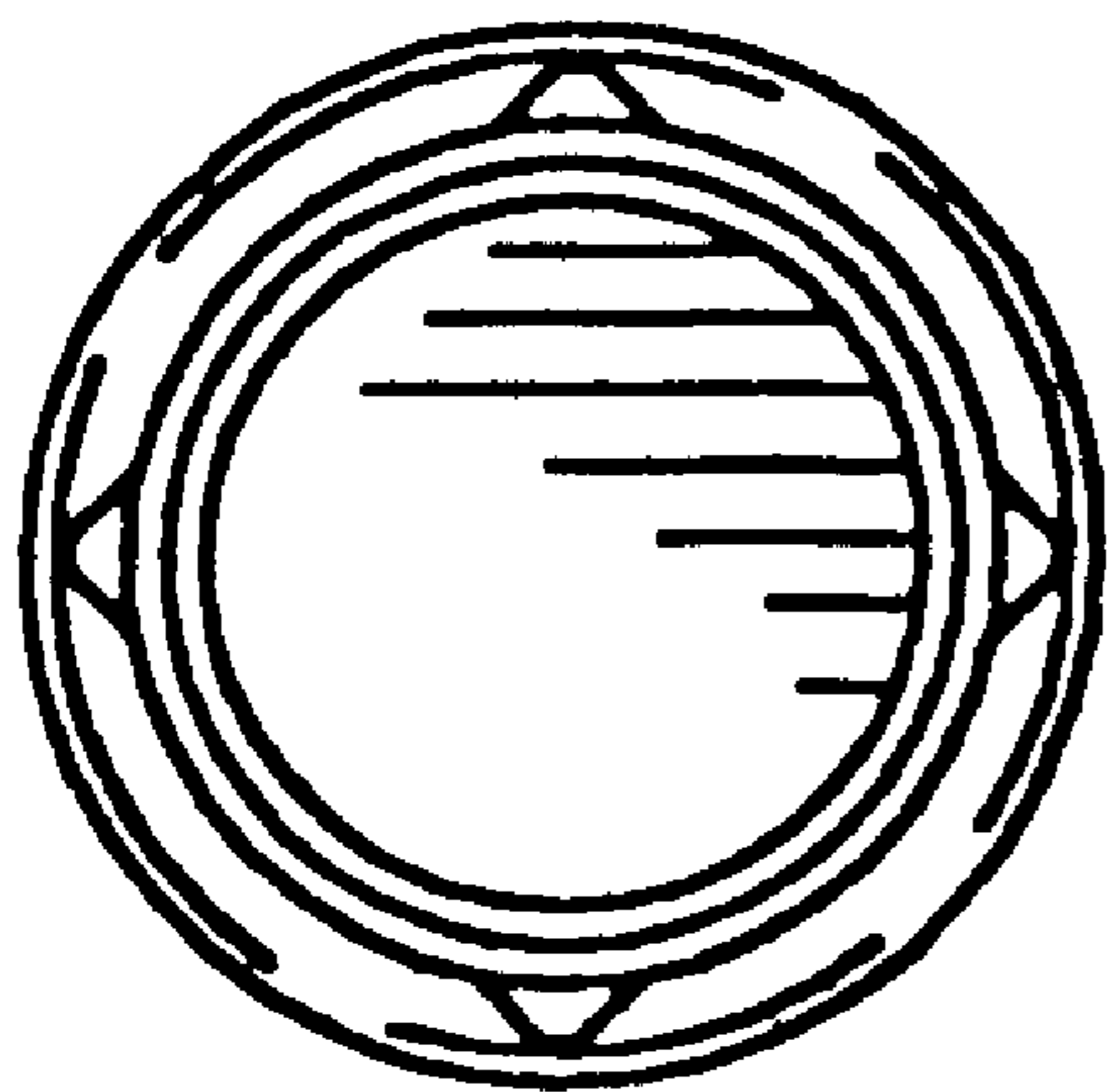


FIG. 25