



US00D427460S

United States Patent [19]
McGrath

[11] **Patent Number: Des. 427,460**

[45] **Date of Patent: ** Jul. 4, 2000**

[54] **SUPPORT FOR SNEEZEGUARD PANEL**

[75] Inventor: **Andrew H. McGrath**, 1509 Ortega Dr.,
Martinez, Calif. 94553

[73] Assignees: **Andrew H. McGrath; David Murry**,
both of Concord, Calif.

[**] Term: **14 Years**

[21] Appl. No.: **29/100,536**

[22] Filed: **Feb. 11, 1999**

[51] **LOC (7) Cl.** **06-06**

[52] **U.S. Cl.** **D6/491**

[58] **Field of Search** D6/491, 481, 396,
D6/397; 312/140.1, 140.4, 284, 116, 117

[56] **References Cited**

U.S. PATENT DOCUMENTS

D. 300,591	4/1989	Marchais	D6/481
D. 348,367	7/1994	Geisen et al.	D6/481
D. 368,606	4/1996	Sargent, III	D6/481
5,584,545	12/1996	LaVaute et al.	312/104.4

Primary Examiner—Janice E. Seeger
Attorney, Agent, or Firm—Thomas R. Lampe

[57] **CLAIM**

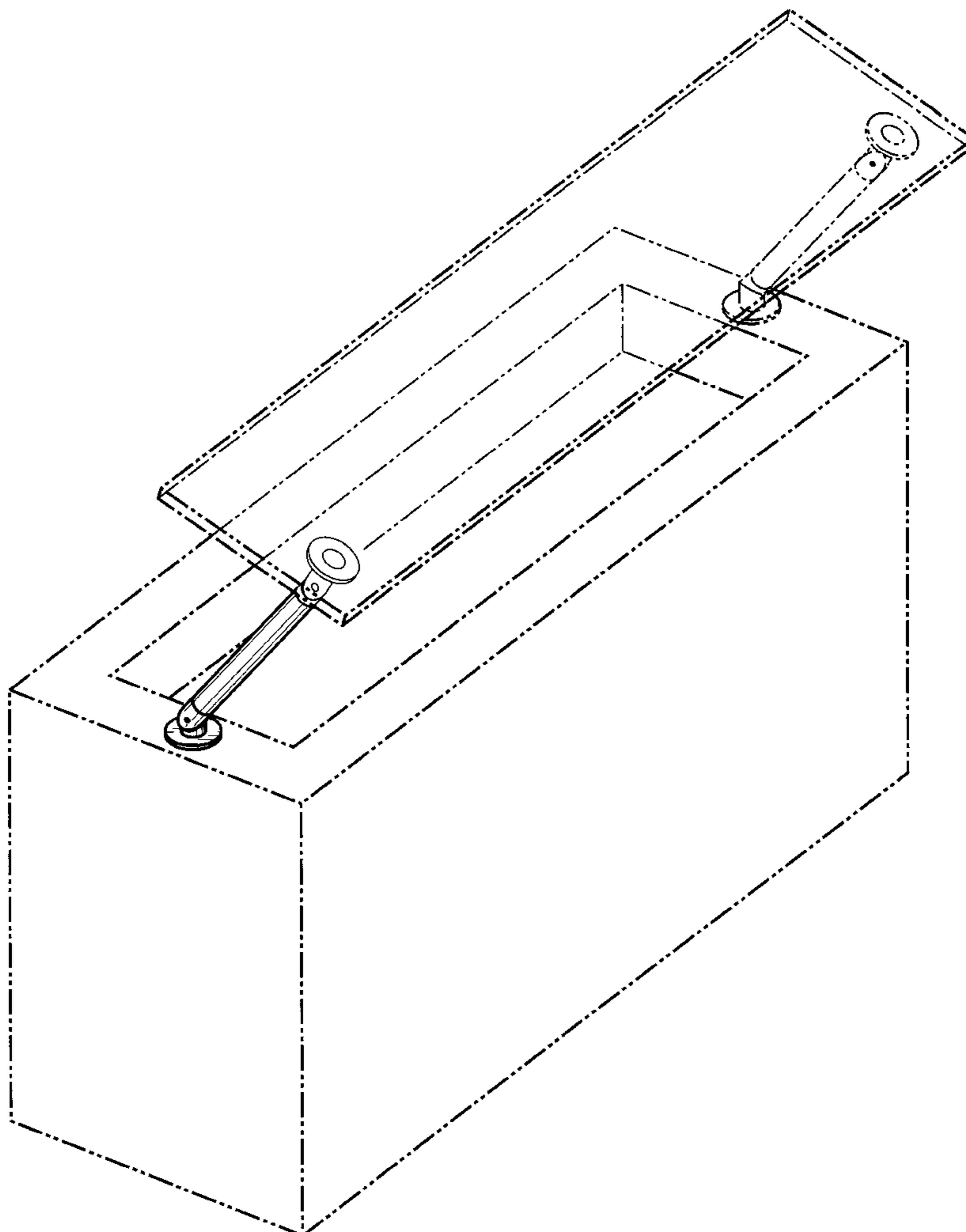
The ornamental design for support for sneezeguard panel, as shown and described.

DESCRIPTION

FIG. 1 is a perspective view of support for sneezeguard panel showing my design in association with a salad bar cabinet, a sneezeguard and another support of like design; FIG. 2 is an enlarged perspective view thereof; FIG. 3 is a left side elevation view thereof; FIG. 4 is a front elevation view thereof; FIG. 5 is a right side elevation view thereof; FIG. 6 is a rear elevation view thereof; FIG. 7 is a bottom plan view thereof; and, FIG. 8 is a top plan view thereof.

The broken line showing of a salad bar cabinet and sneezeguard panel in FIG. 1 of the drawing is for illustrative purposes only and forms no part of the claimed design.

1 Claim, 6 Drawing Sheets



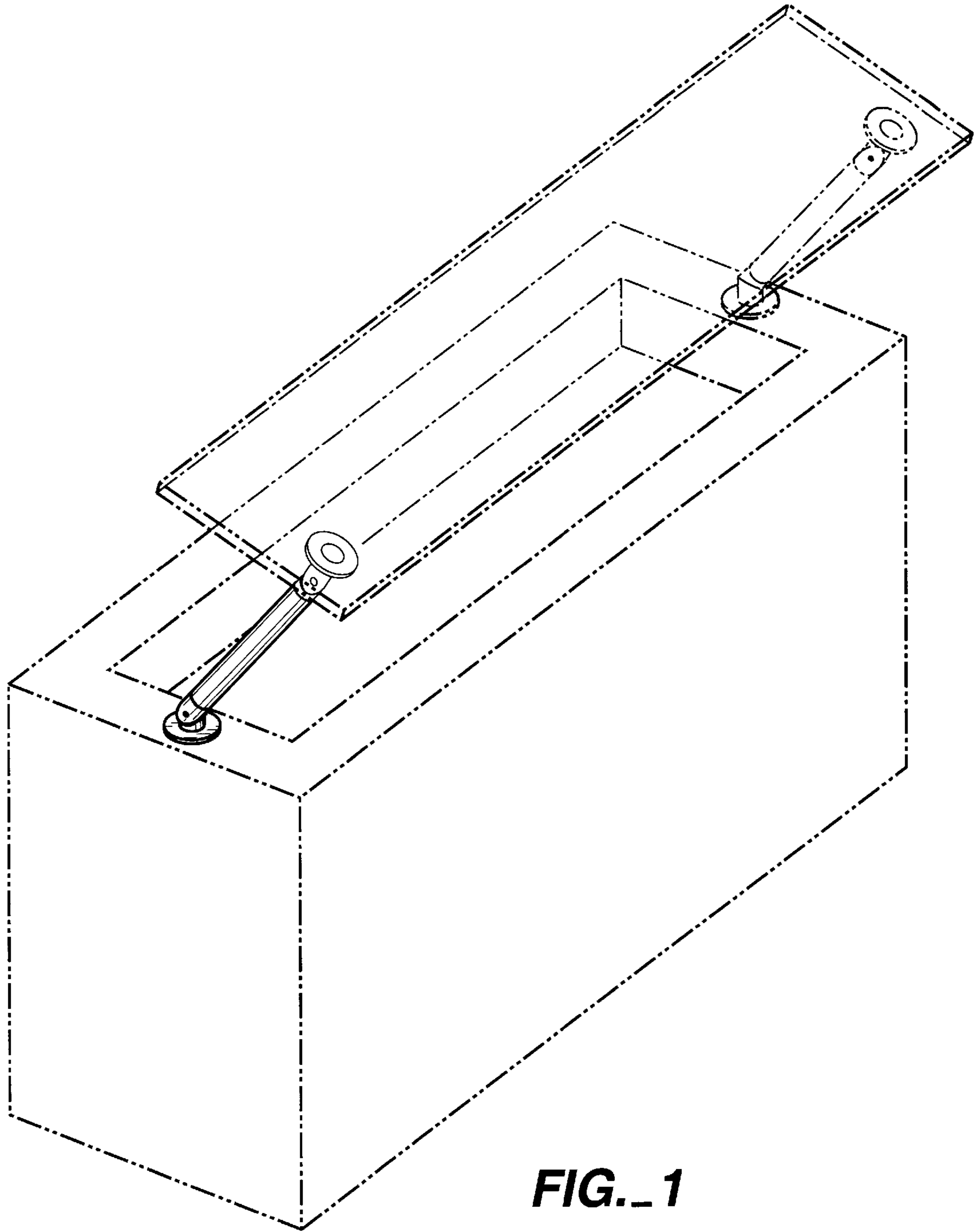


FIG. 1

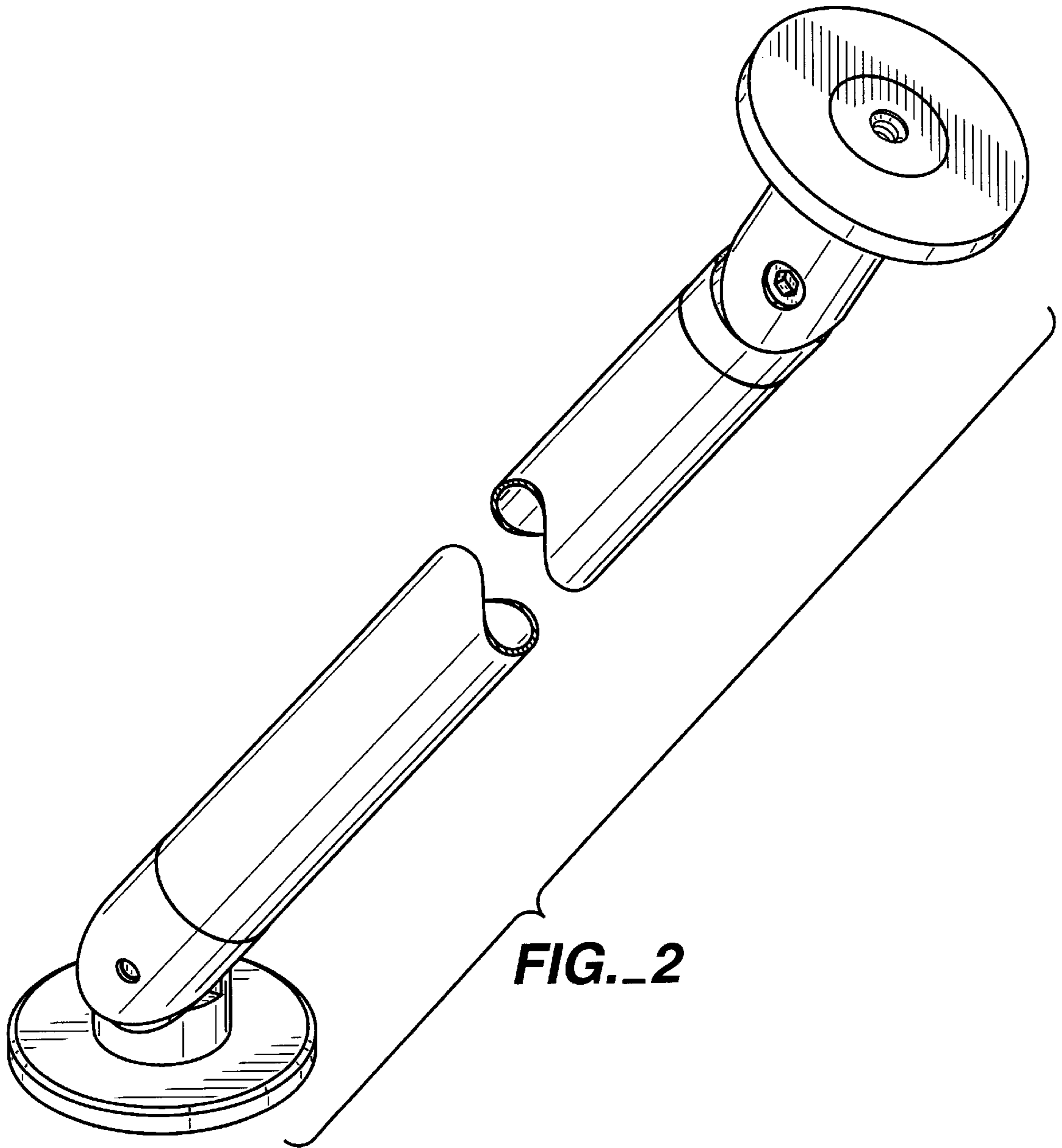


FIG. 2

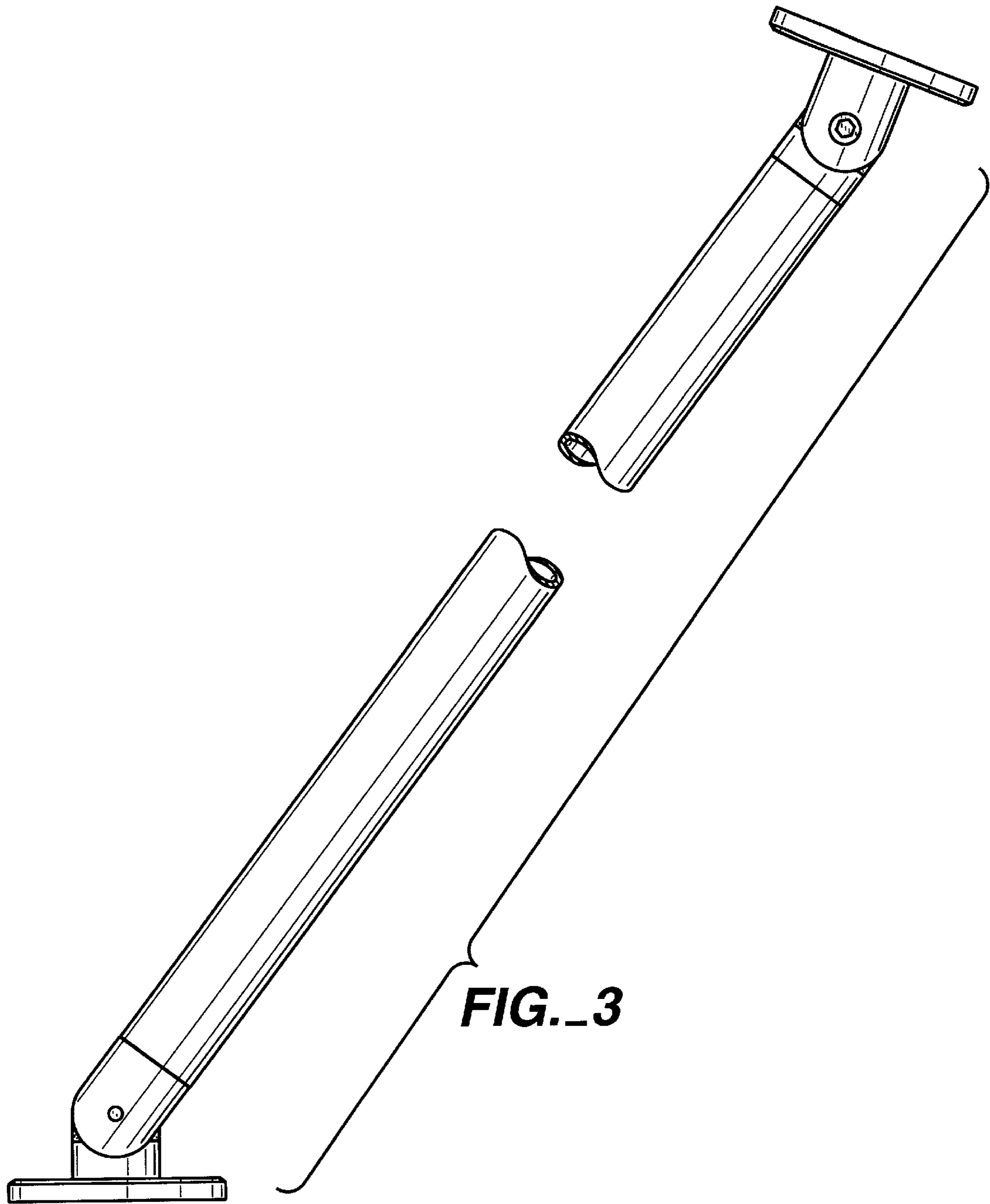
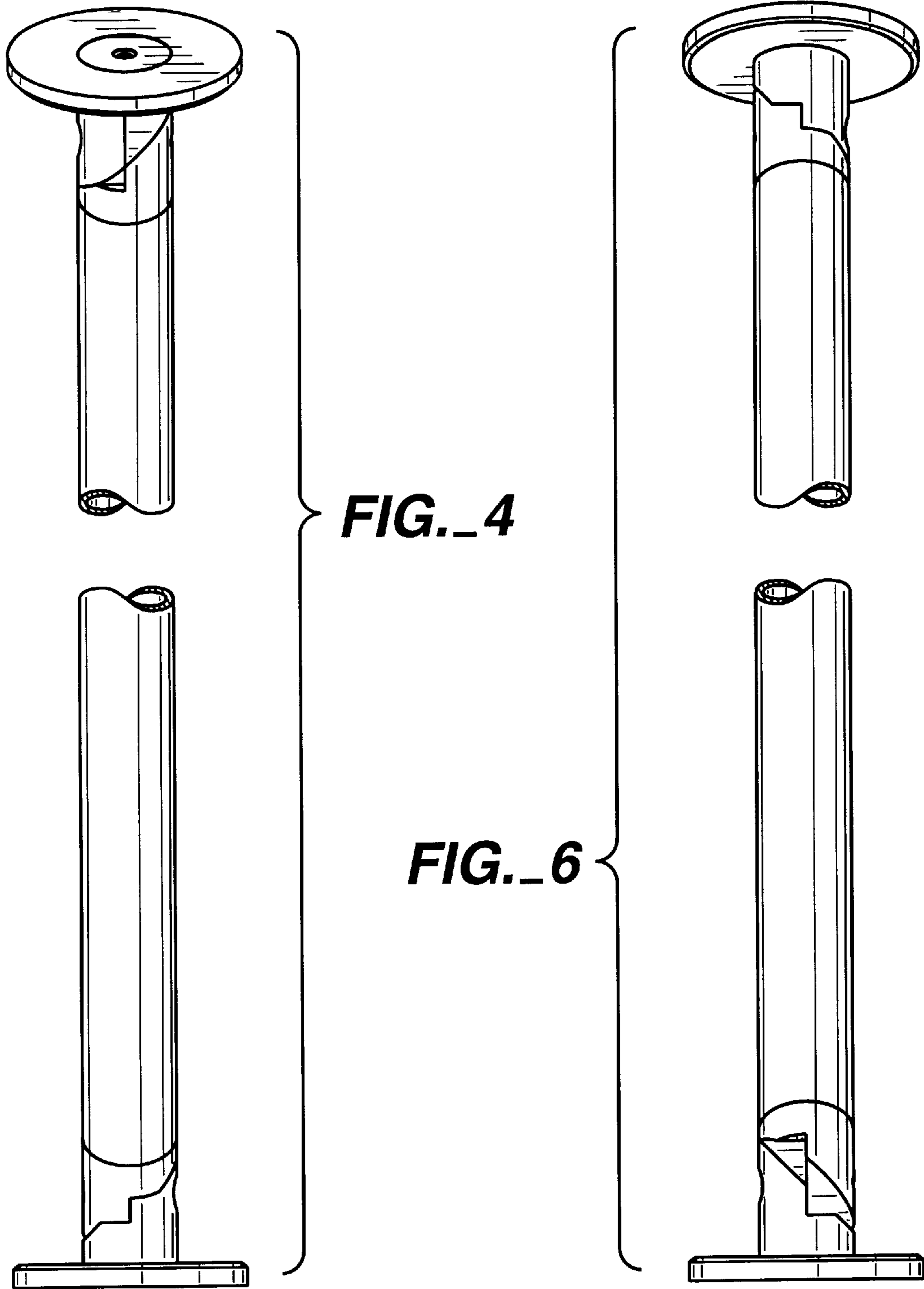


FIG. 3



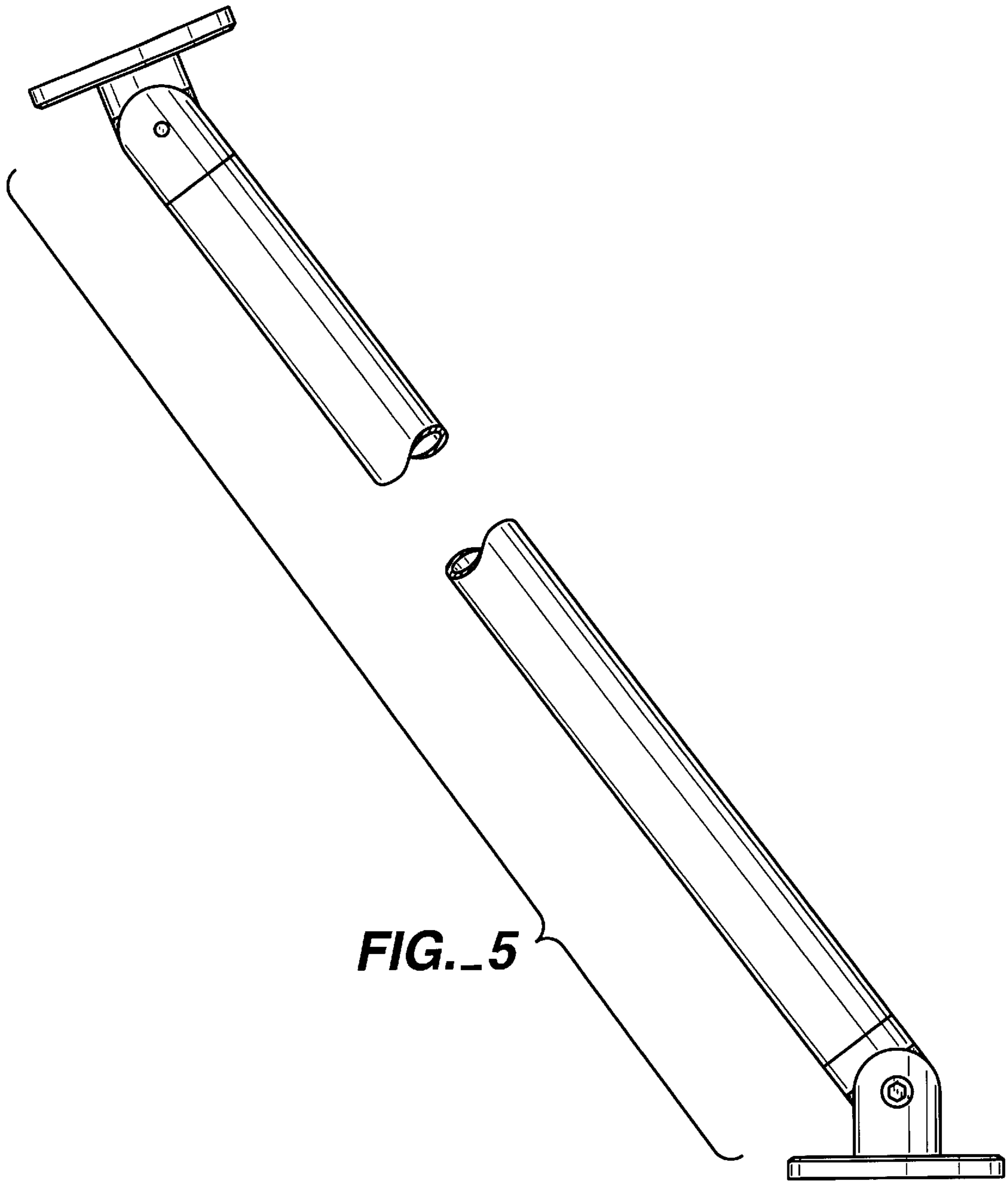


FIG. 5

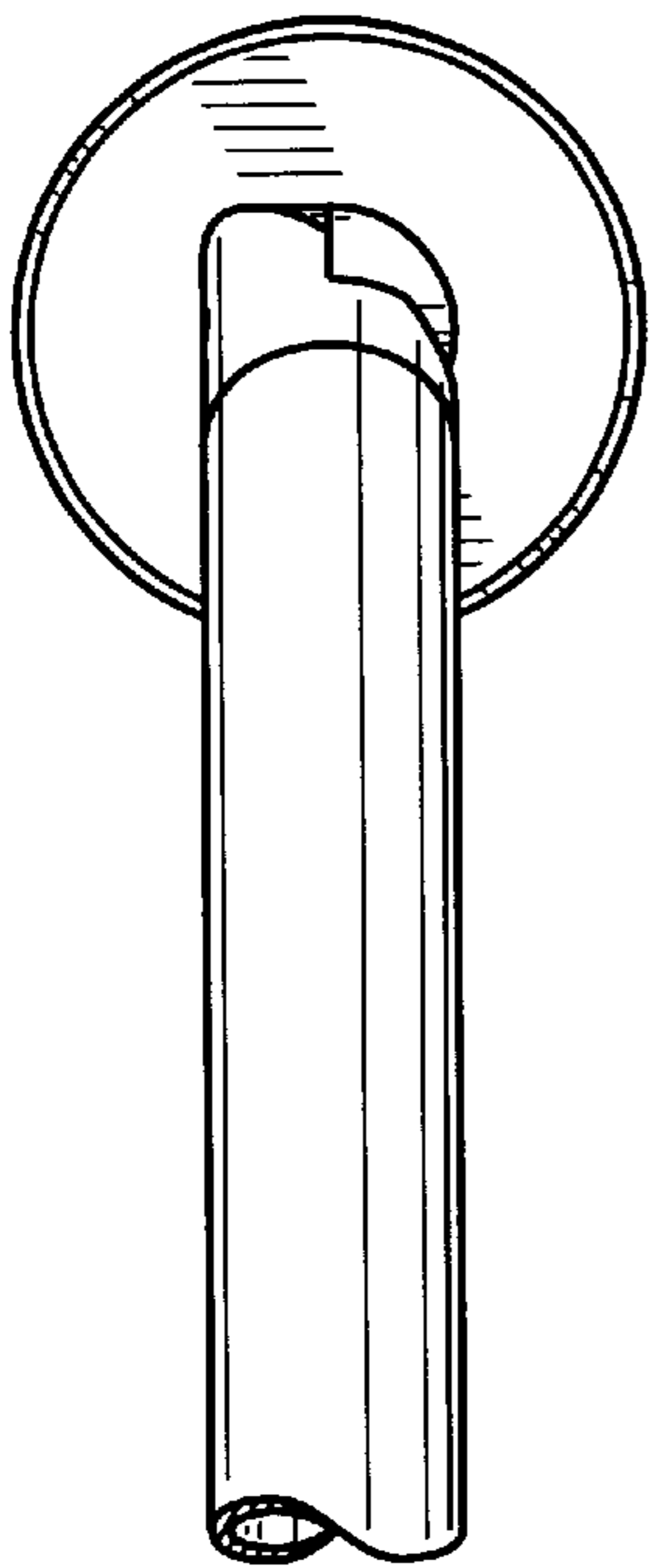


FIG._7

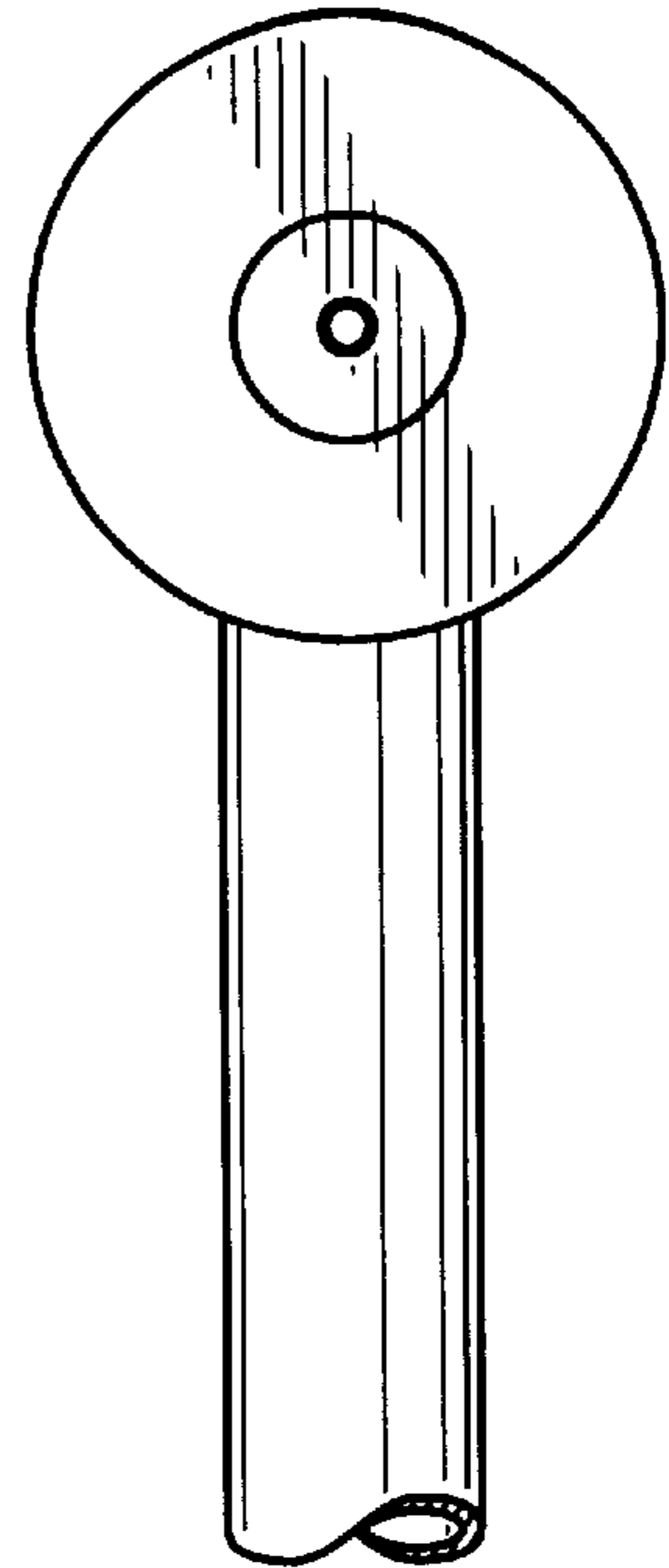


FIG._8

