



US00D427459S

United States Patent [19] Druebbisch

[11] **Patent Number: Des. 427,459**
[45] **Date of Patent: ** Jul. 4, 2000**

[54] **SOUND-PLATFORM FOR ELECTRONIC EQUIPMENT**

[75] Inventor: **Volkmar Druebbisch**, 1888 Golden Gate Ave. #36, San Francisco, Calif. 94115

[73] Assignee: **Volkmar Druebbisch**, San Francisco, Calif.

[**] Term: **14 Years**

[21] Appl. No.: **29/064,585**

[22] Filed: **Jan. 6, 1997**

[51] **LOC (7) Cl.** **06-04**

[52] **U.S. Cl.** **D6/479**

[58] **Field of Search** D6/477-479, 407, D6/462-465, 429; 211/26, 27, 90, 135, 186-188, 153, 191, 194; 108/59, 91, 193, 157, 149, 161, 186

[56] **References Cited**

U.S. PATENT DOCUMENTS

D. 152,330 1/1949 Dillon D6/479

D. 363,626 10/1995 Herbst D6/479
D. 371,259 7/1996 Herbst D6/479
D. 378,175 2/1997 Hamami D6/479
D. 381,841 8/1997 Herbst D6/479
D. 382,143 8/1997 Herbst D6/479

FOREIGN PATENT DOCUMENTS

WO 93/19639 10/1993 WIPO 108/150

Primary Examiner—James Gandy
Assistant Examiner—Linda Brooks

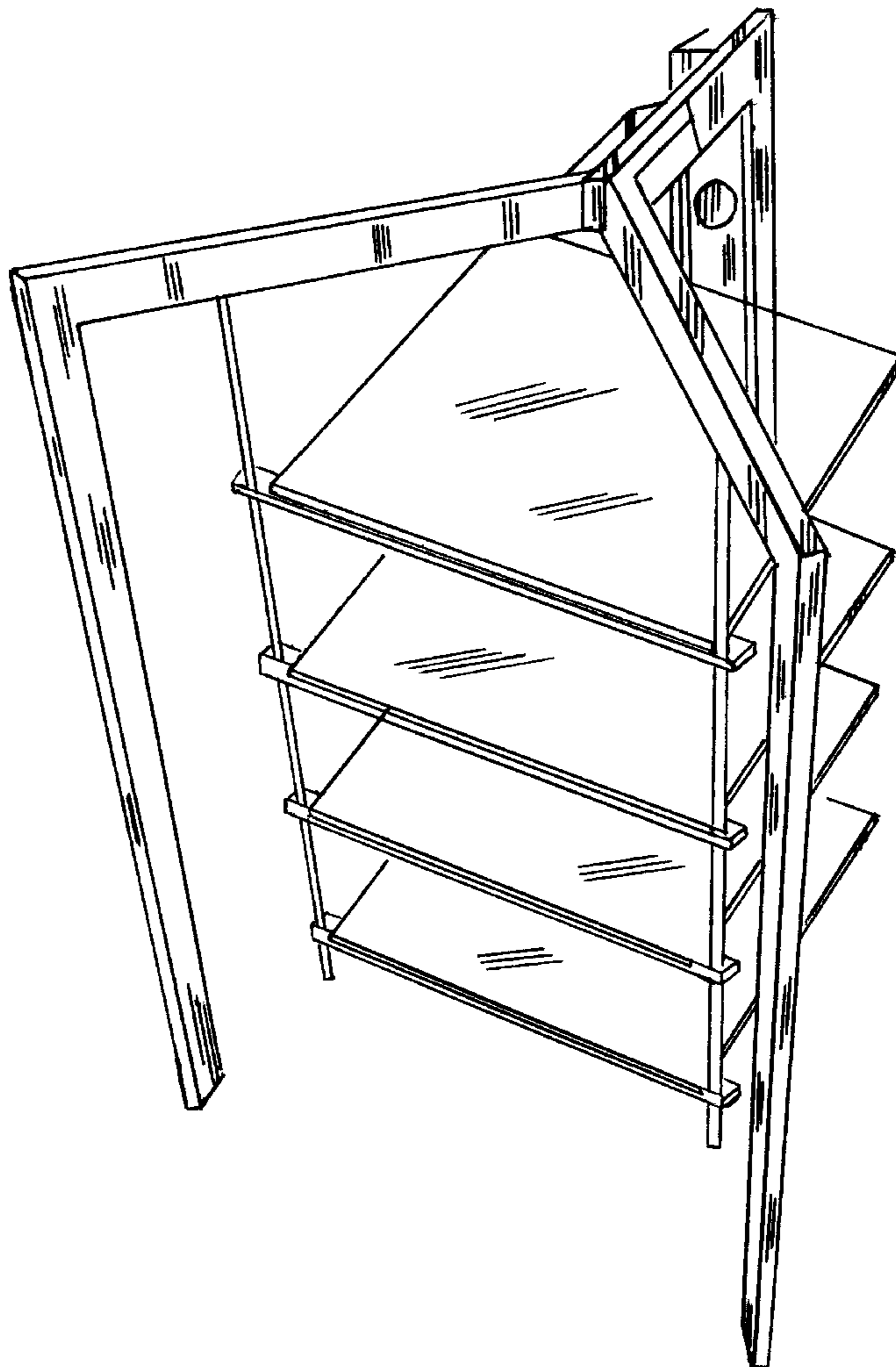
[57] **CLAIM**

The ornamental design for a sound-platform for electronic equipment, as shown.

DESCRIPTION

FIG. 1 is a perspective view.
FIG. 2 is a front view.
FIG. 3 is a top view; and,
FIG. 4 is a side view from the left, the side view from the right being a mirror image.

1 Claim, 4 Drawing Sheets



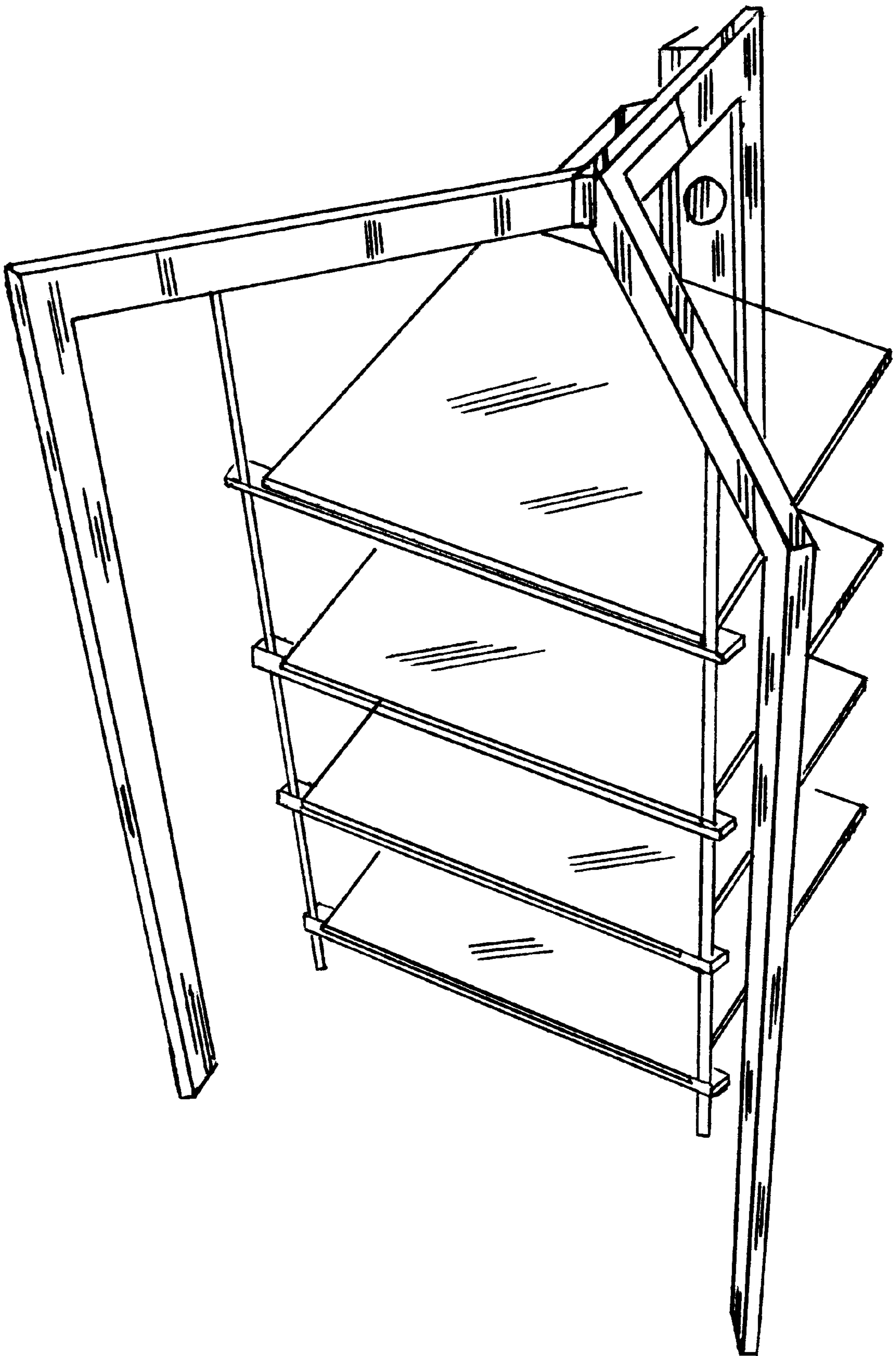


FIGURE: 1

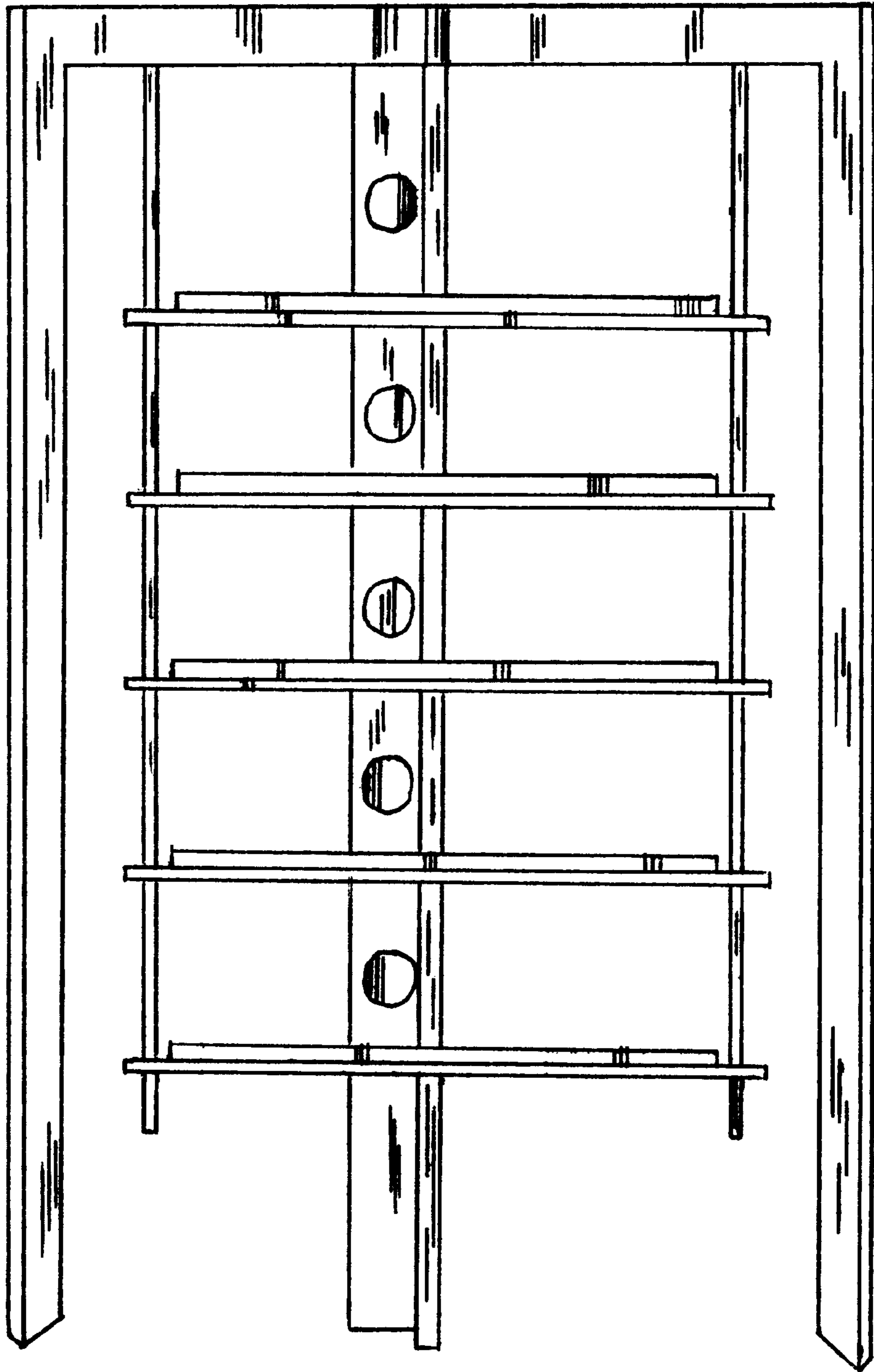


FIGURE: 2

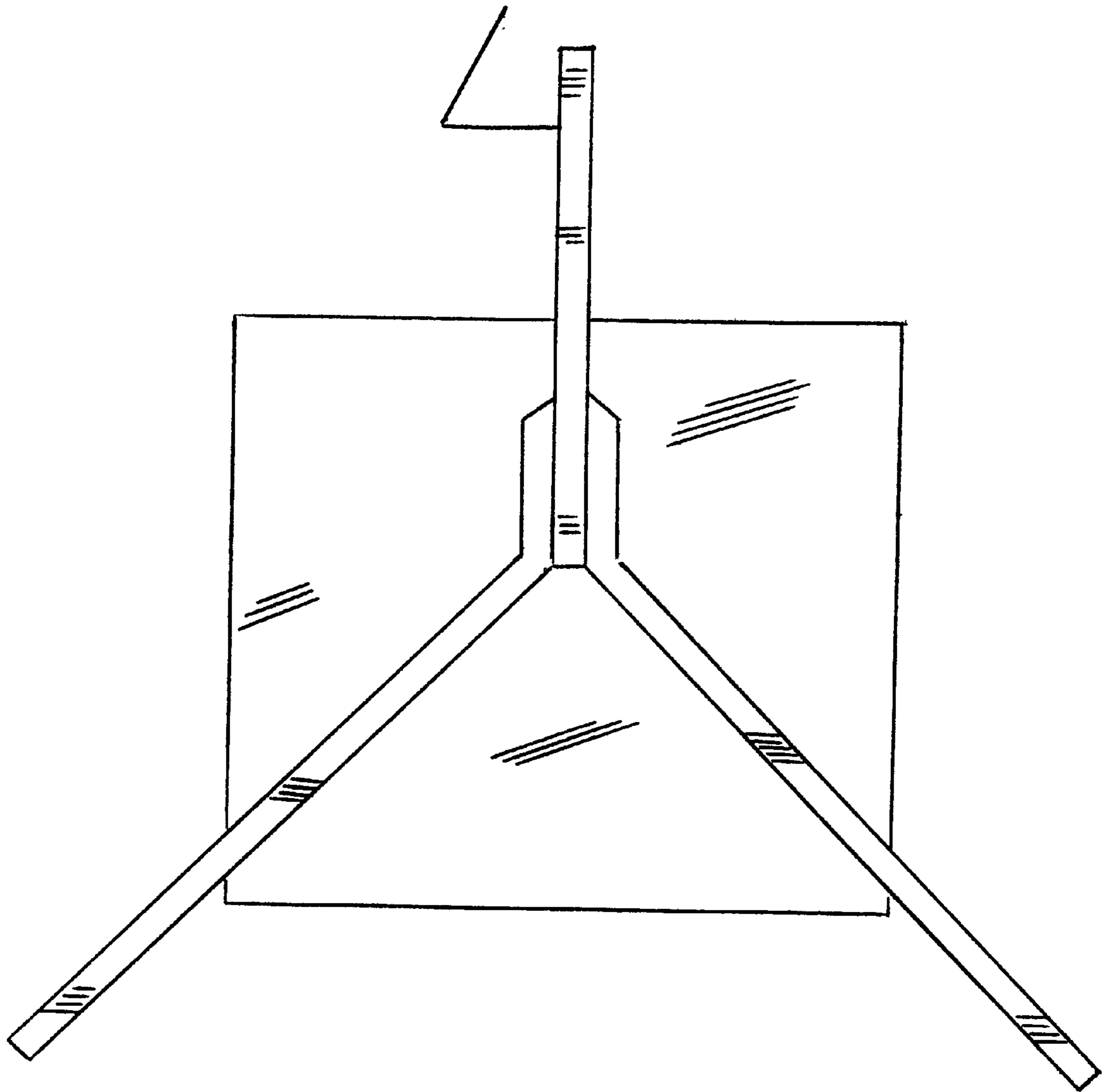


FIGURE: 3

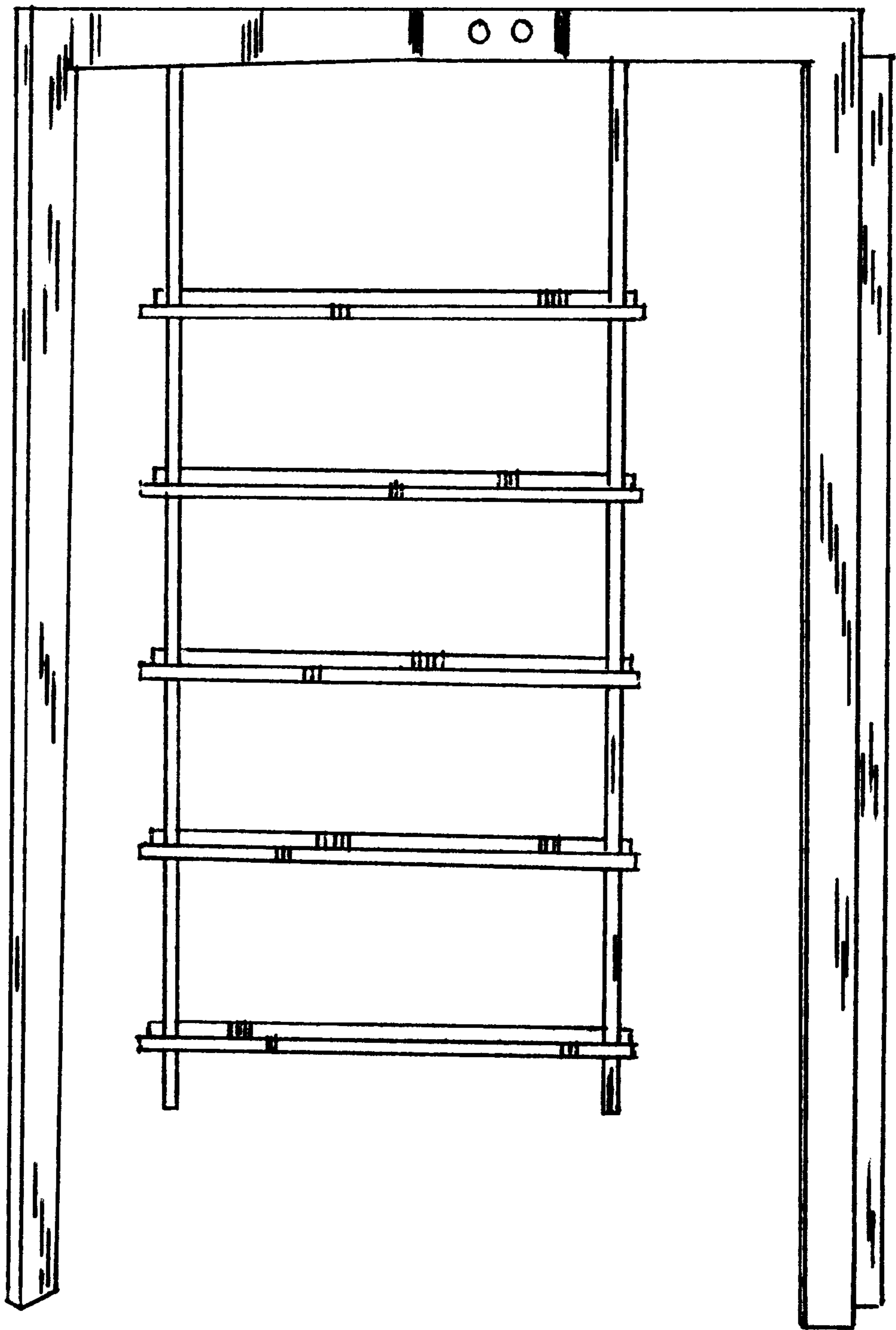


FIGURE: 4