



US00D427458S

United States Patent [19]

McColskey et al.

[11] Patent Number: **Des. 427,458**

[45] Date of Patent: **** Jul. 4, 2000**

[54] **RACK FOR READING MATERIALS**

[75] Inventors: **Laura McColskey**, West Palm Beach;
Ryan Mimick, Coral Springs; **Denise Tedaldi**, Jupiter, all of Fla.

[73] Assignee: **Levenger Company**, Delray Beach, Fla.

[**] Term: **14 Years**

[21] Appl. No.: **29/102,928**

[22] Filed: **Apr. 5, 1999**

[51] **LOC (7) Cl.** **06-04**

[52] **U.S. Cl.** **D6/477**

[58] **Field of Search** D6/396, 407, 419,
D6/449, 463, 473, 477-479; D34/17, 21;
108/59; 211/42, 134

[56] **References Cited**

U.S. PATENT DOCUMENTS

- D. 190,587 6/1961 Magers .
- D. 280,771 9/1985 Barnett .
- D. 284,049 6/1986 Nathan et al. .

- D. 306,942 4/1990 Patke D6/463
- D. 337,673 7/1993 Goetz .
- D. 386,870 11/1997 Halvorson et al. D6/479 X
- D. 386,871 11/1997 Halvorson et al. .
- D. 418,694 1/2000 McColskey D6/473
- 3,146,724 9/1964 Magers .
- 3,149,726 9/1964 Magers .
- 3,149,727 9/1964 Magers .

Primary Examiner—Cathron B. Matta
Attorney, Agent, or Firm—Quarles & Brady LLP

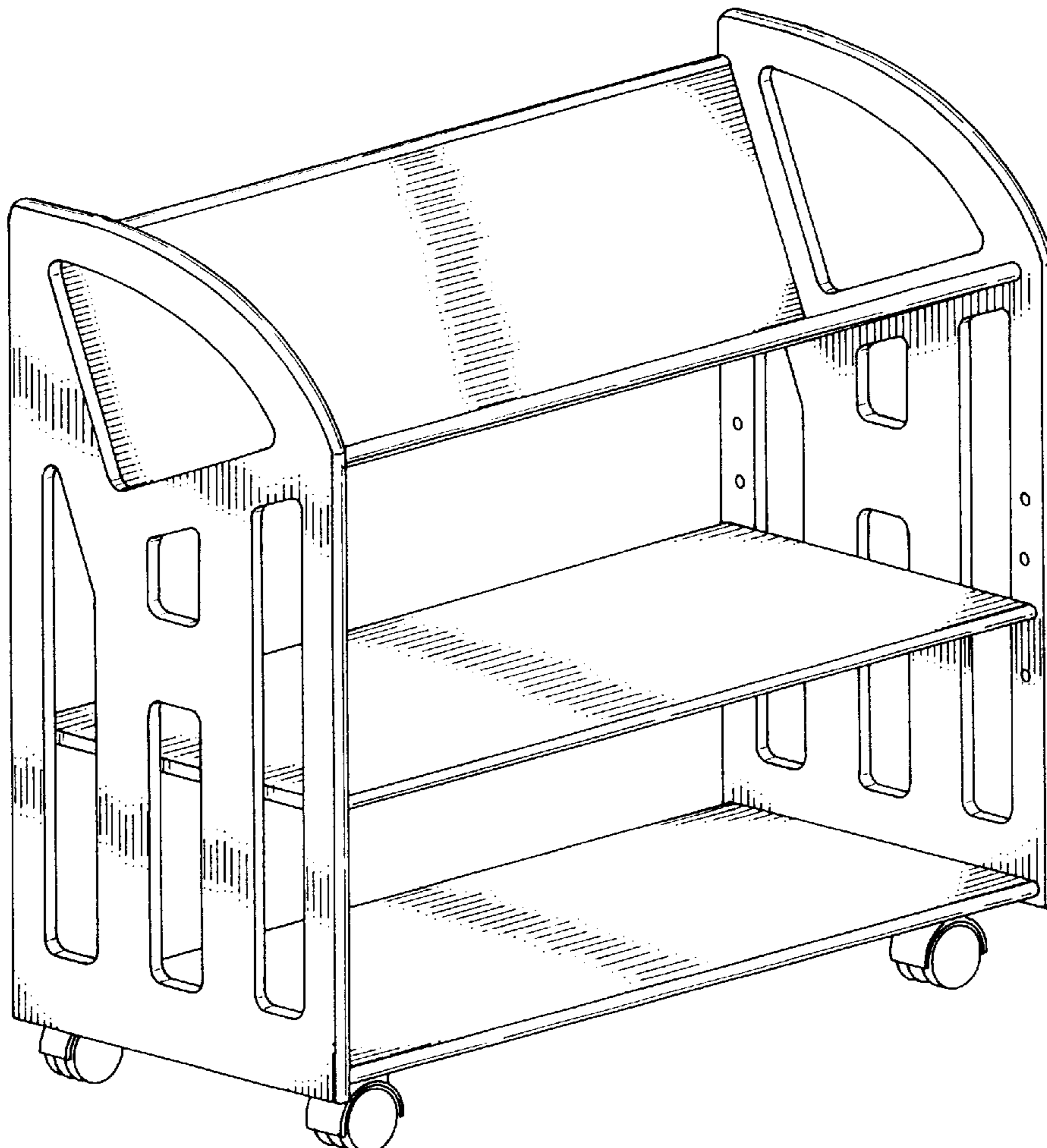
[57] **CLAIM**

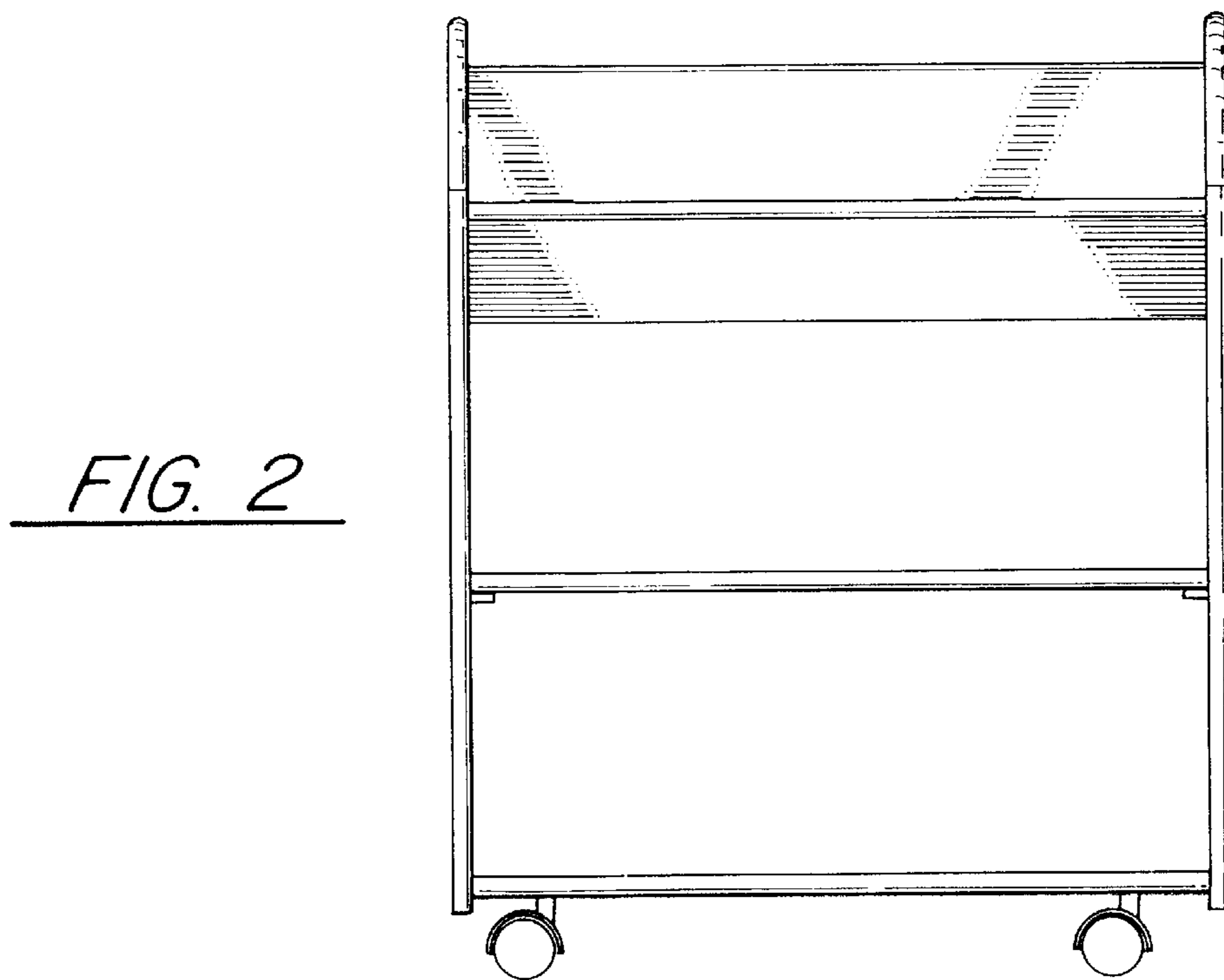
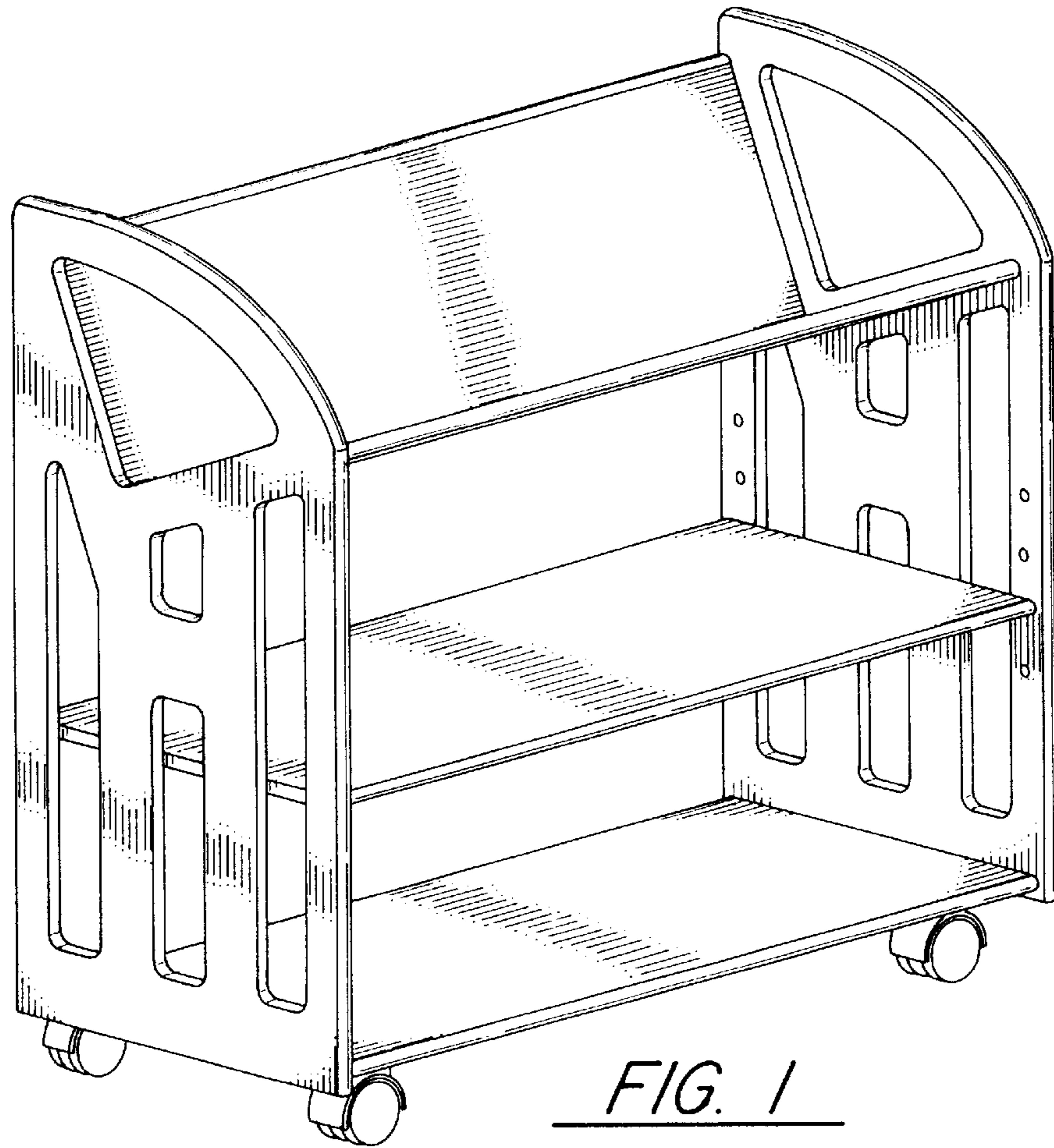
The design for a rack for reading materials, as shown and described.

DESCRIPTION

FIG. 1 is a perspective view.
FIG. 2 is a front elevation view.
FIG. 3 is a rear elevation view.
FIG. 4 is a left side elevation view, the opposite side elevation view being substantially a mirror image thereof.
FIG. 5 is a top plan view; and,
FIG. 6 is a bottom plan view.

1 Claim, 2 Drawing Sheets





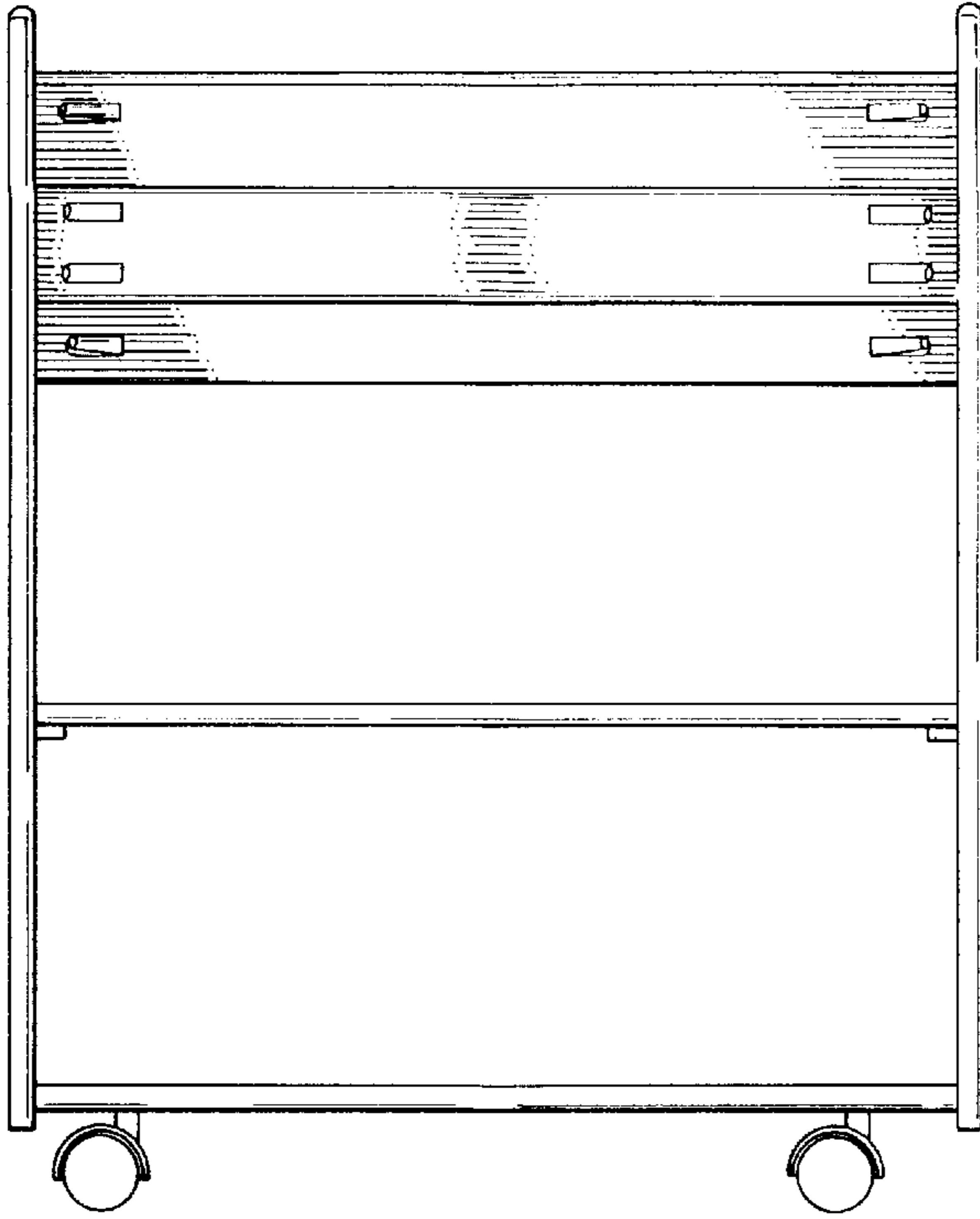


FIG. 3

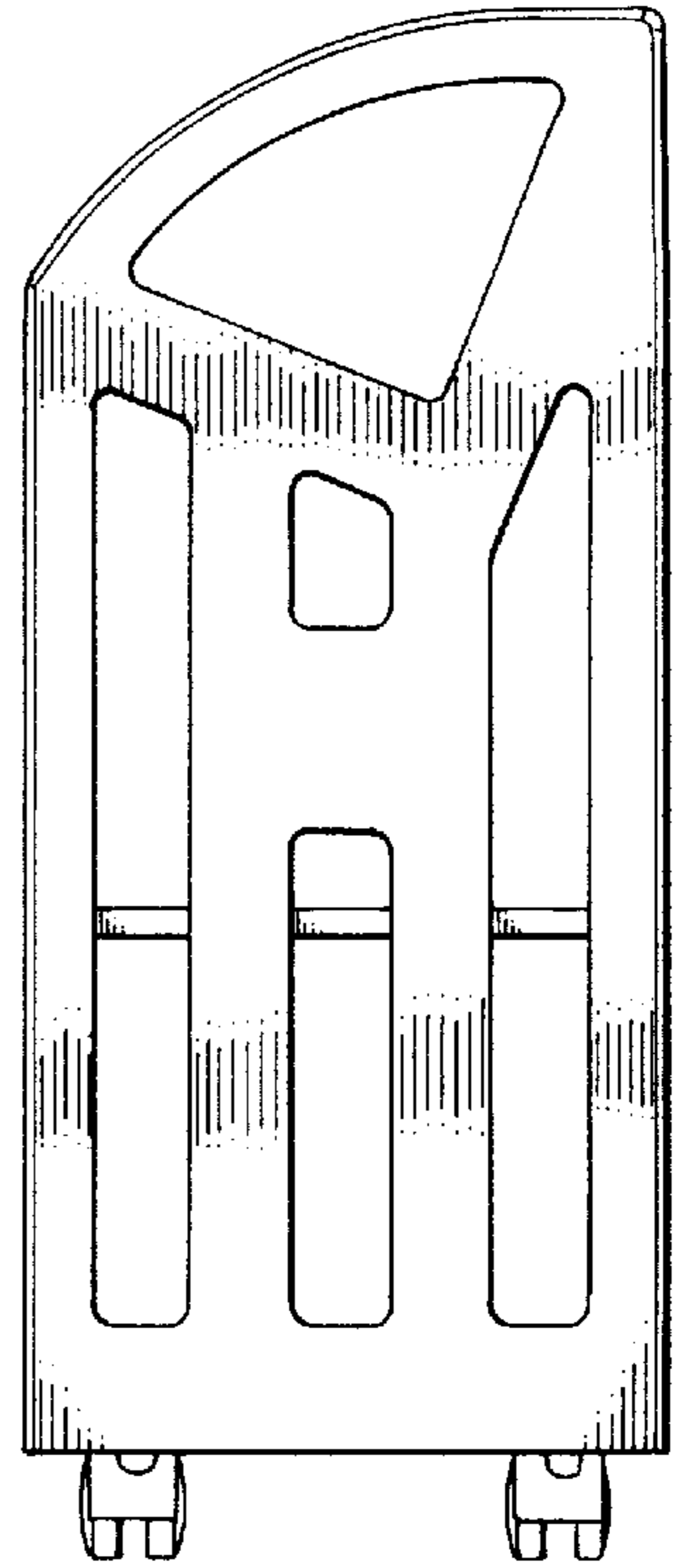


FIG. 4

FIG. 5

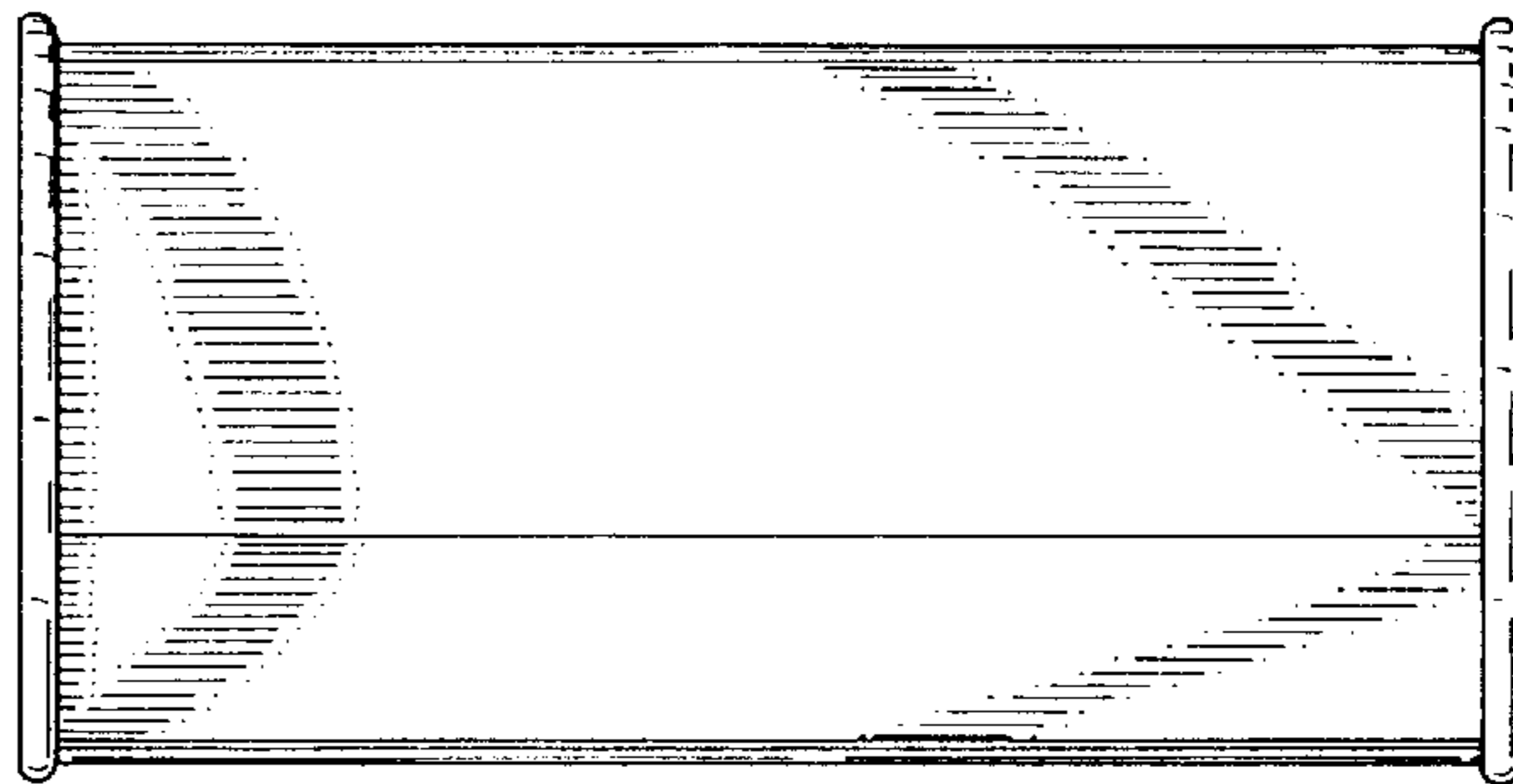


FIG. 6

