



US00D427451S

United States Patent [19]

Cary, Jr. et al.

[11] Patent Number: **Des. 427,451**

[45] Date of Patent: **** Jul. 4, 2000**

[54] **PHARMACY INTAKE COUNTER**

[75] Inventors: **William Eugene Cary, Jr.; Ryan Andrew Lewis**, both of Birmingham, Ala.

[73] Assignee: **Southern Store Fixtures, Inc.**, Birmingham, Ala.

[**] Term: **14 Years**

[21] Appl. No.: **29/092,273**

[22] Filed: **Aug. 14, 1998**

[51] **LOC (7) Cl.** **06-04**

[52] **U.S. Cl.** **D6/396; D6/436; D6/437; D24/234**

[58] **Field of Search** D6/396, 397, 474, D6/478, 479, 481, 436-439, 449; 312/140, 140.1, 249.8, 249.11-249.13; D25/1, 16; 52/36.1, 36.4; 211/85.13; D24/234

[56] **References Cited**

U.S. PATENT DOCUMENTS

- D. 349,823 8/1994 Gregg D6/436
- D. 369,033 4/1996 Lechleiter et al. D6/449

- D. 374,214 10/1996 Dittmer D24/234 X
- D. 403,886 1/1999 Geier et al. D6/436
- D. 403,889 1/1999 Geier et al. D6/437
- D. 403,890 1/1999 Geier et al. D6/437
- 3,027,212 3/1962 Pearson 312/140.1
- 5,622,010 4/1997 Weber 52/36.4

Primary Examiner—Cathron B. Matta
Attorney, Agent, or Firm—Veal & Associates

[57] **CLAIM**

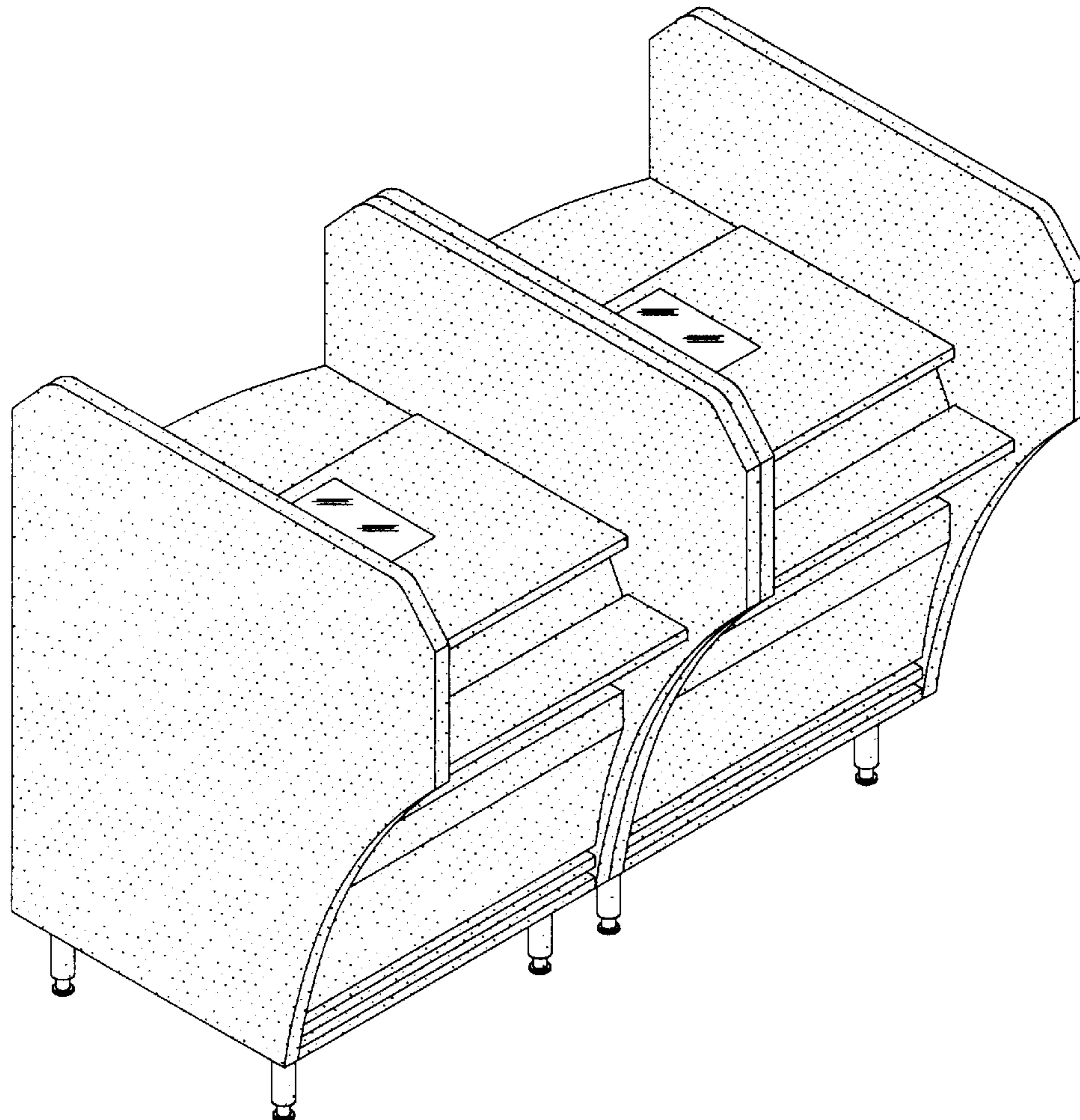
The ornamental design for a pharmacy intake counter, as shown and described.

DESCRIPTION

FIG. 1 is a front perspective view of a pharmacy intake counter showing my new design; FIG. 2 is a rear perspective view thereof; FIG. 3 is a front elevational view thereof; FIG. 4 is a rear elevational view thereof; FIG. 5 is a left side elevational view thereof; FIG. 6 is a right side elevational view thereof; and, FIG. 7 is a top plan view thereof.

The surface(s) or portion(s) of the article not shown in the drawing or described in the specification form(s) no part of the claimed design.

1 Claim, 6 Drawing Sheets



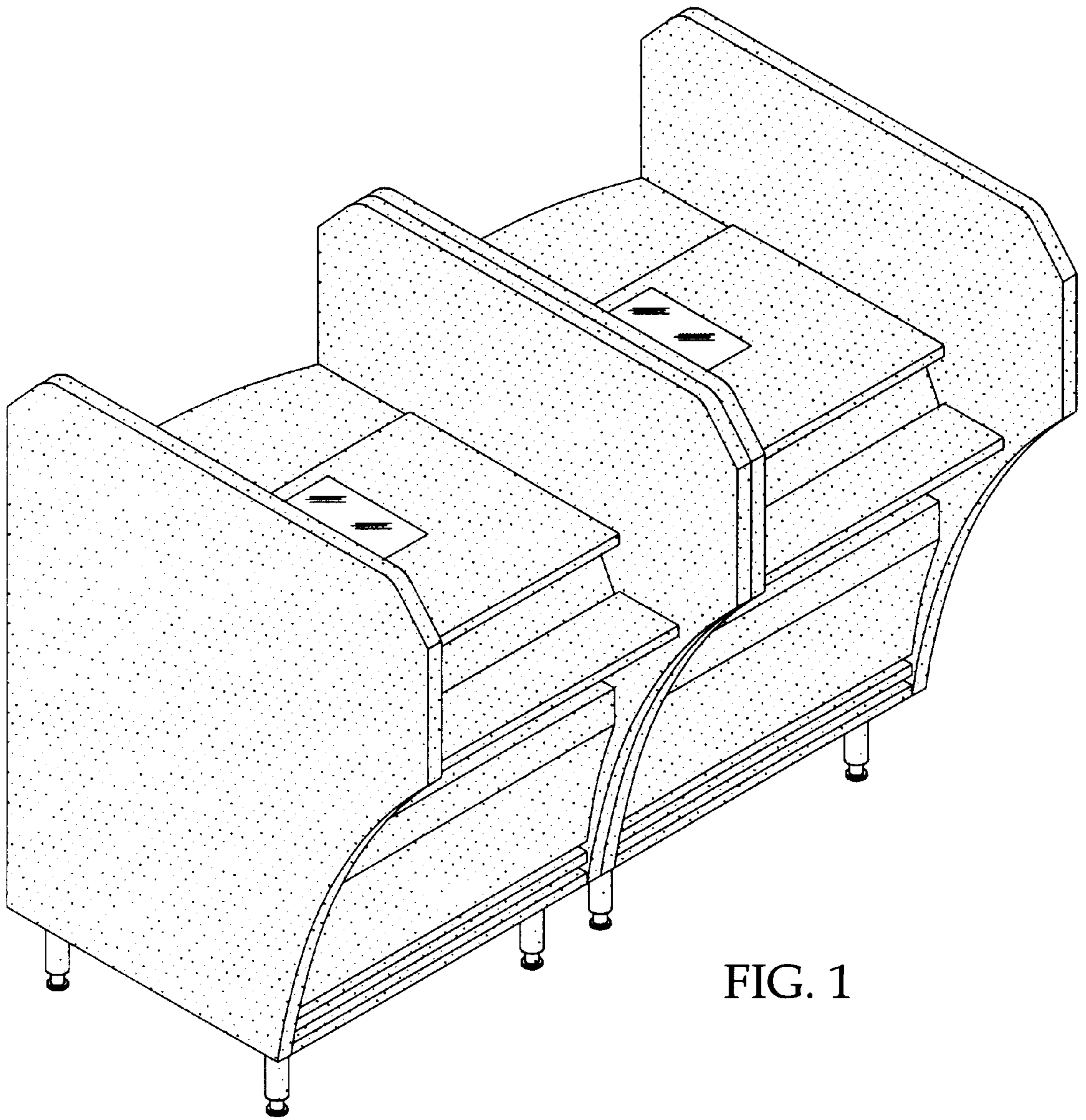


FIG. 1

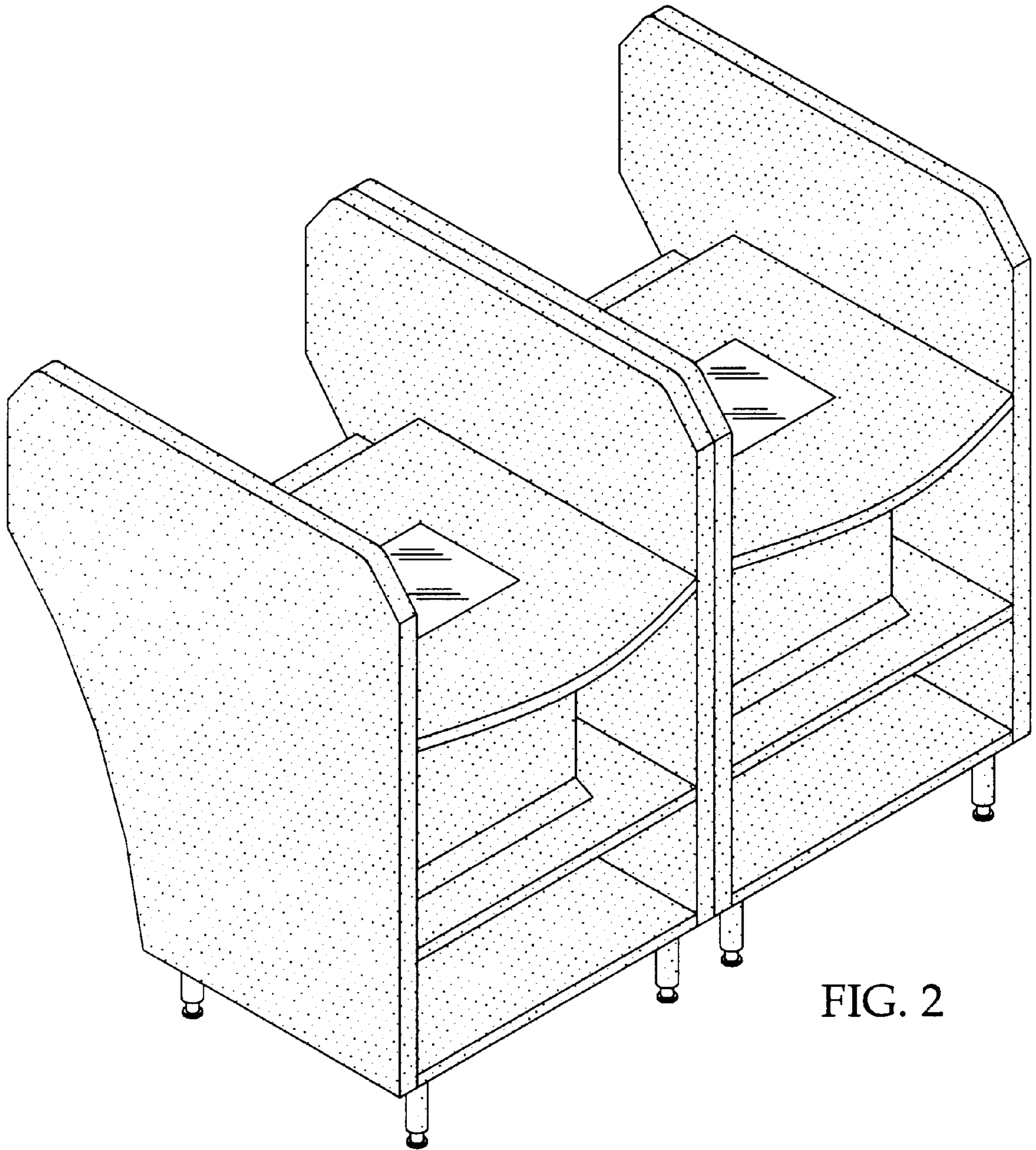


FIG. 2

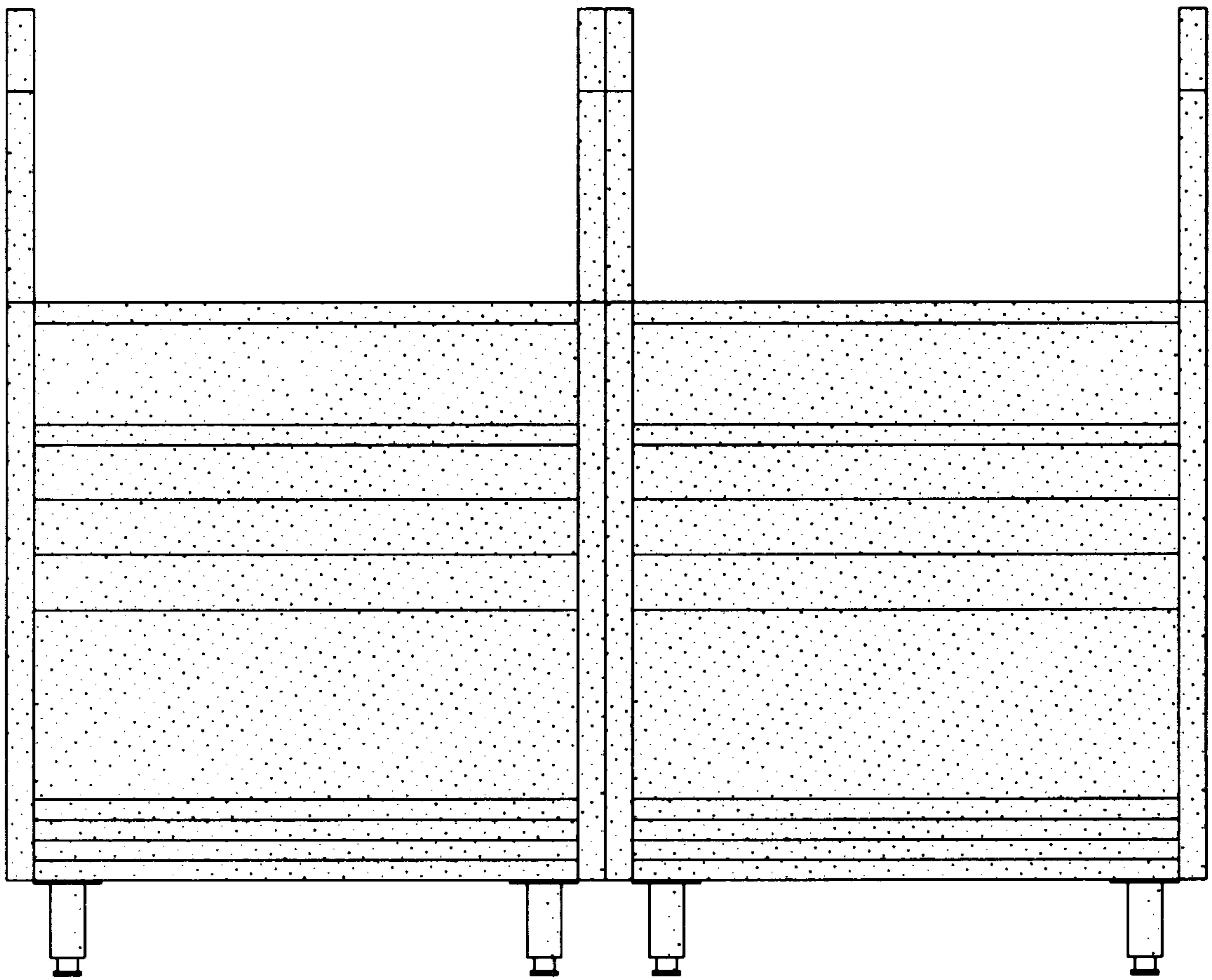


FIG. 3

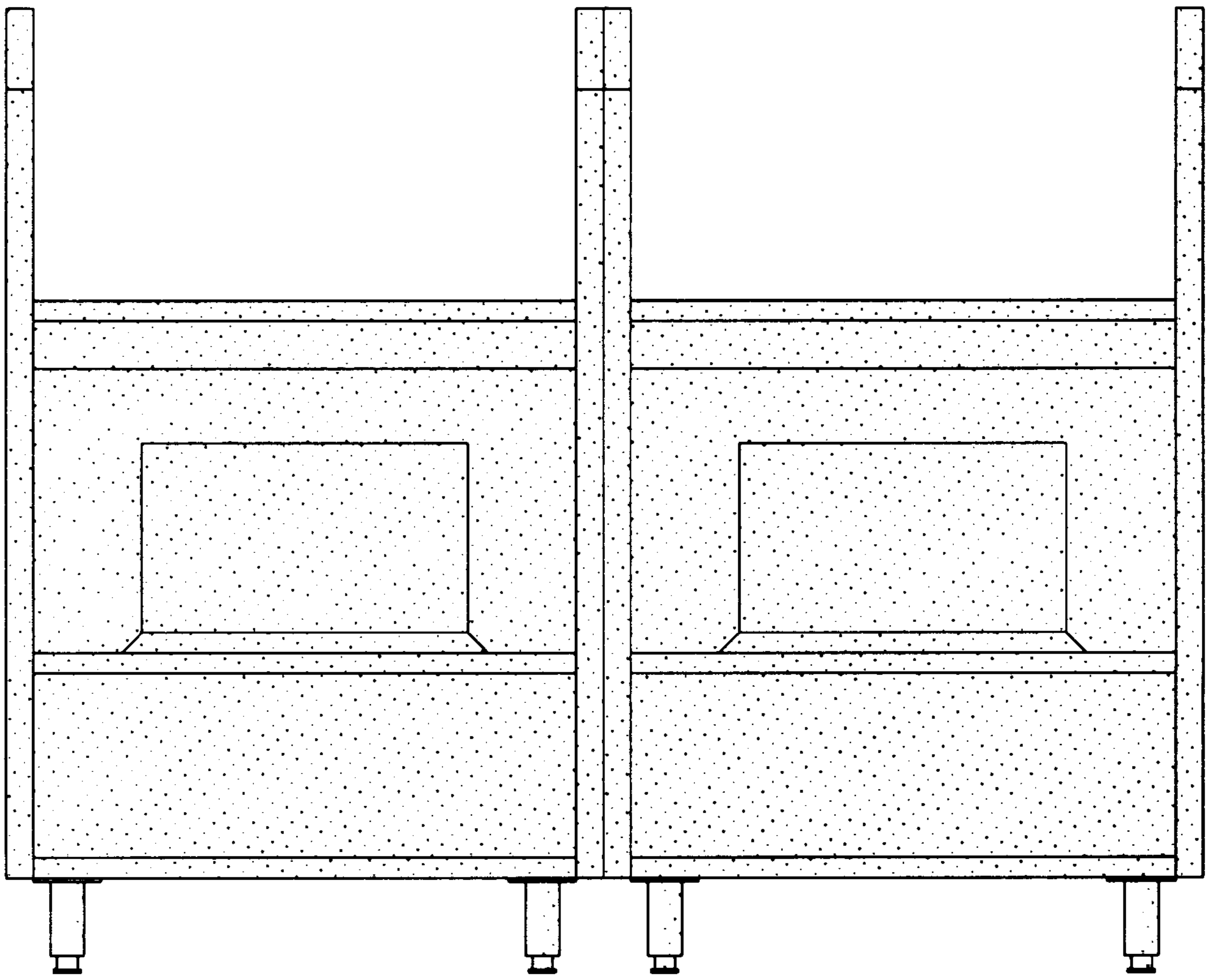


FIG. 4

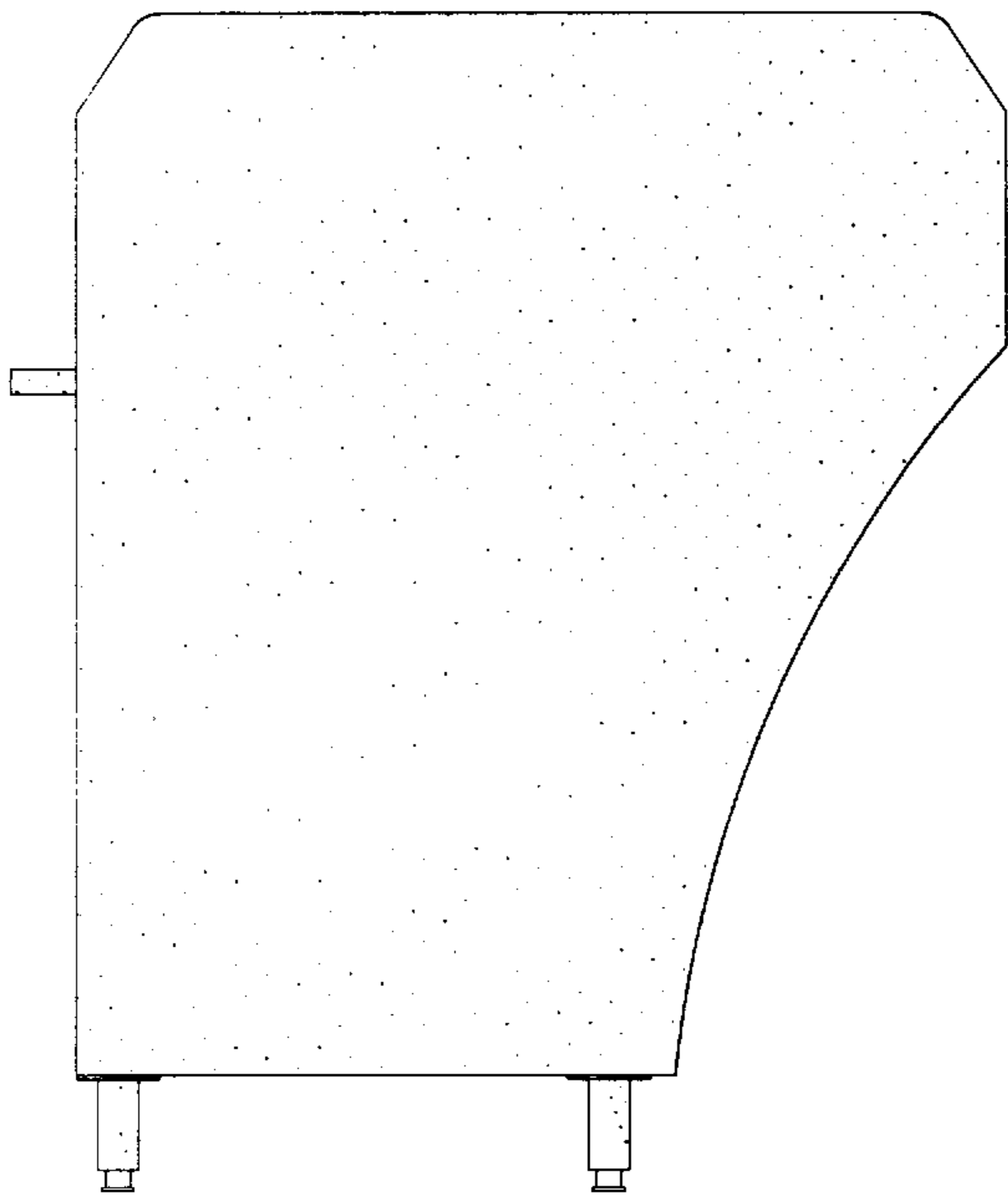


FIG. 5

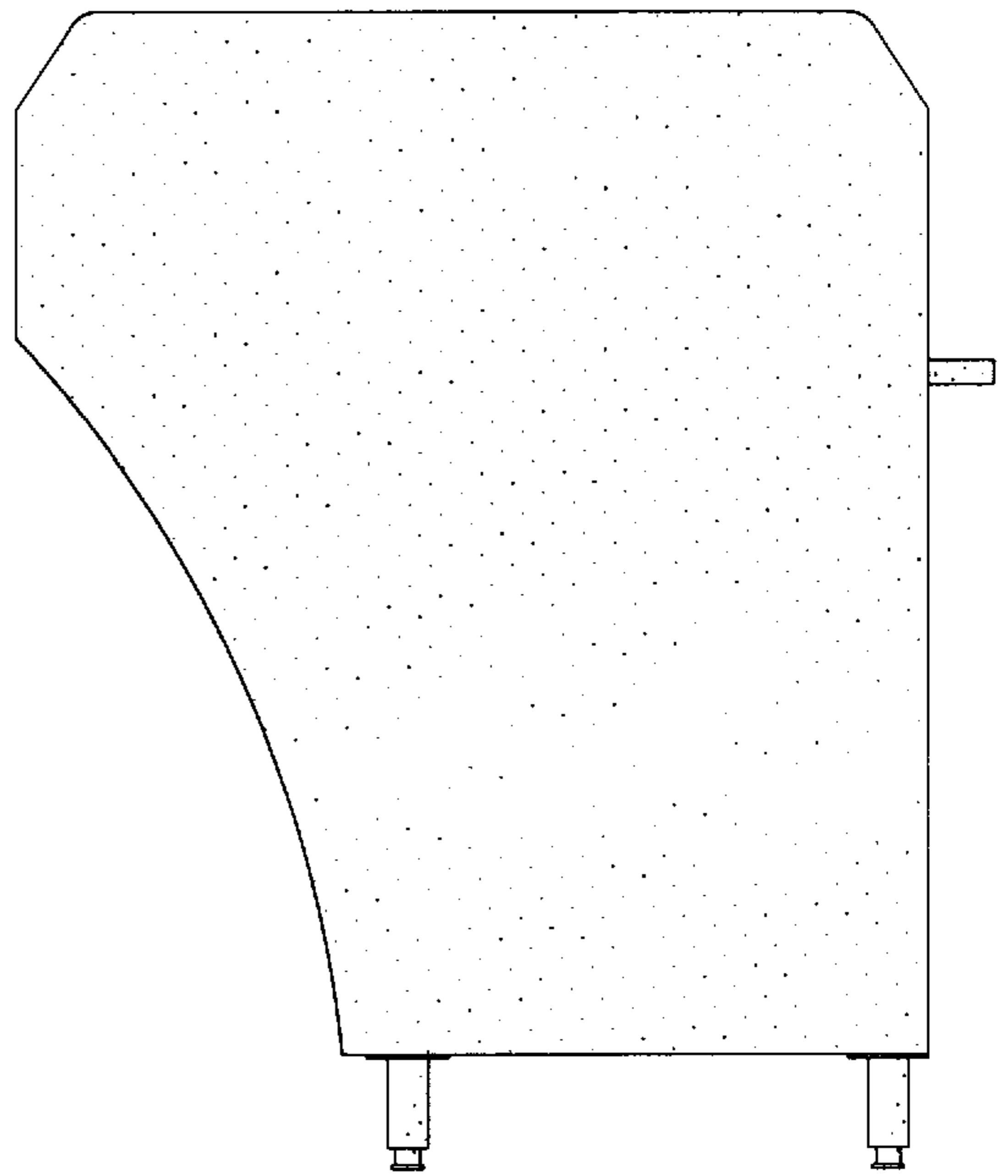


FIG. 6

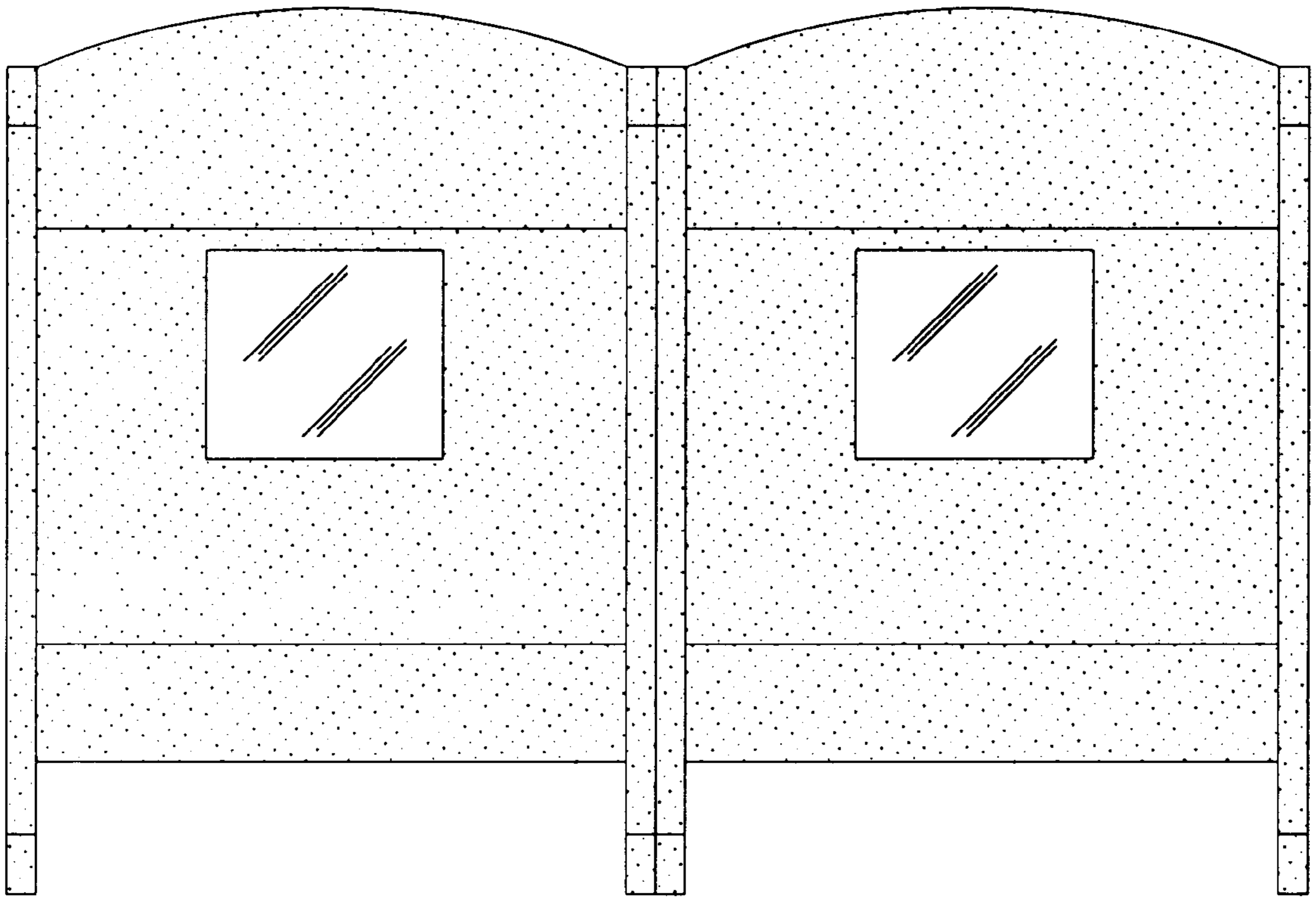


FIG. 7