



US00D427446S

United States Patent [19] Tseng

[11] **Patent Number: Des. 427,446**
[45] **Date of Patent: ** Jul. 4, 2000**

[54] **CHAIR**
[75] **Inventor: Chuen-Jong Tseng, Chiayi Hsien, Taiwan**
[73] **Assignee: Shin Yen Enterprise Co., Ltd., Chiayi Hsien, Taiwan**
[**] **Term: 14 Years**
[21] **Appl. No.: 29/079,934**
[22] **Filed: Nov. 13, 1997**
[51] **LOC (7) Cl. 06-01**
[52] **U.S. Cl. D6/380; D6/370**
[58] **Field of Search D6/334, 370, 374, D6/376, 379, 380, 500, 501, 502; 297/446.1**

D. 183,240 7/1958 Cohen D6/380
D. 196,575 10/1963 Ritts D6/380
D. 208,465 9/1967 Parker D6/380
D. 370,359 6/1996 Tseng D6/370
D. 374,995 10/1996 Graham et al. D6/380

Primary Examiner—Gary D. Watson
Attorney, Agent, or Firm—Skjerven Morrill MacPherson Franklin & Friel LLP

[57] CLAIM

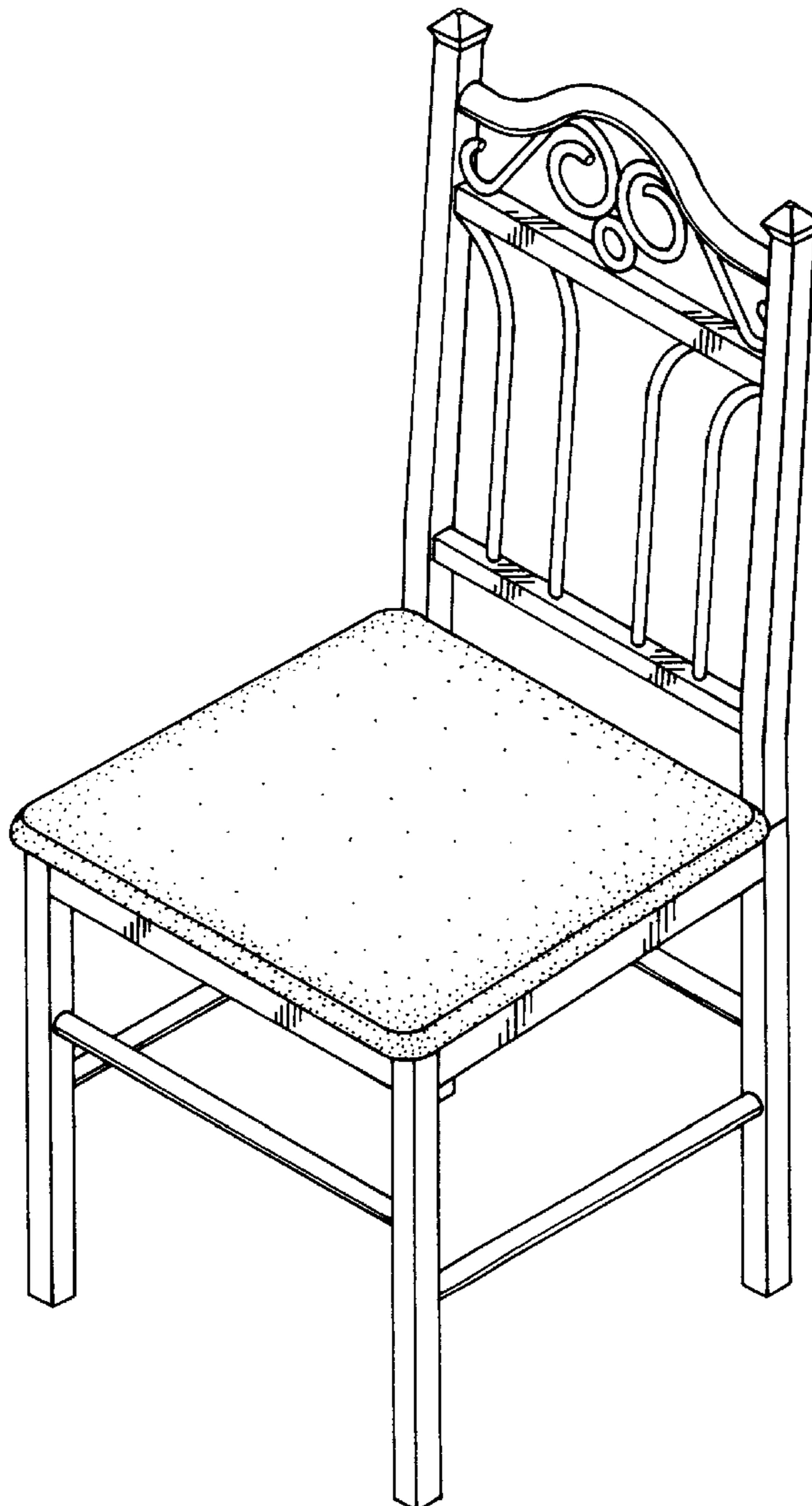
The ornamental design for a chair, as shown and described.

DESCRIPTION

FIG. 1 is a perspective view of a chair showing my new design;
FIG. 2 is a front elevational view thereof;
FIG. 3 is a rear elevational view thereof;
FIG. 4 is a side elevational view thereof;
FIG. 5 is a right side elevational view thereof;
FIG. 6 is a top plan view thereof; and,
FIG. 7 is a bottom plan view thereof.

[56] **References Cited**
U.S. PATENT DOCUMENTS
D. 156,835 1/1950 McNeill D6/380
D. 180,358 5/1957 Cohen D6/380

1 Claim, 4 Drawing Sheets



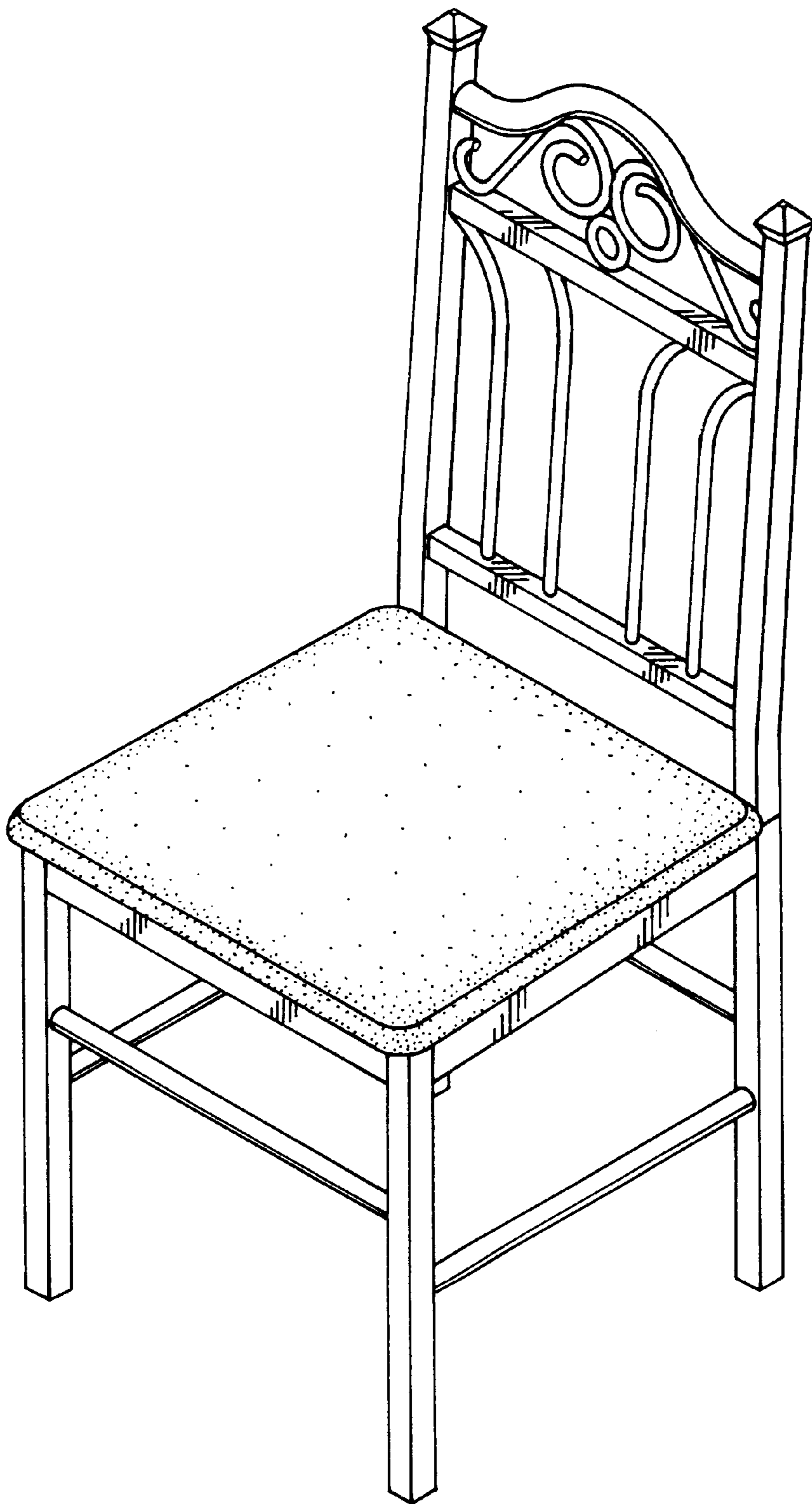


FIG.1

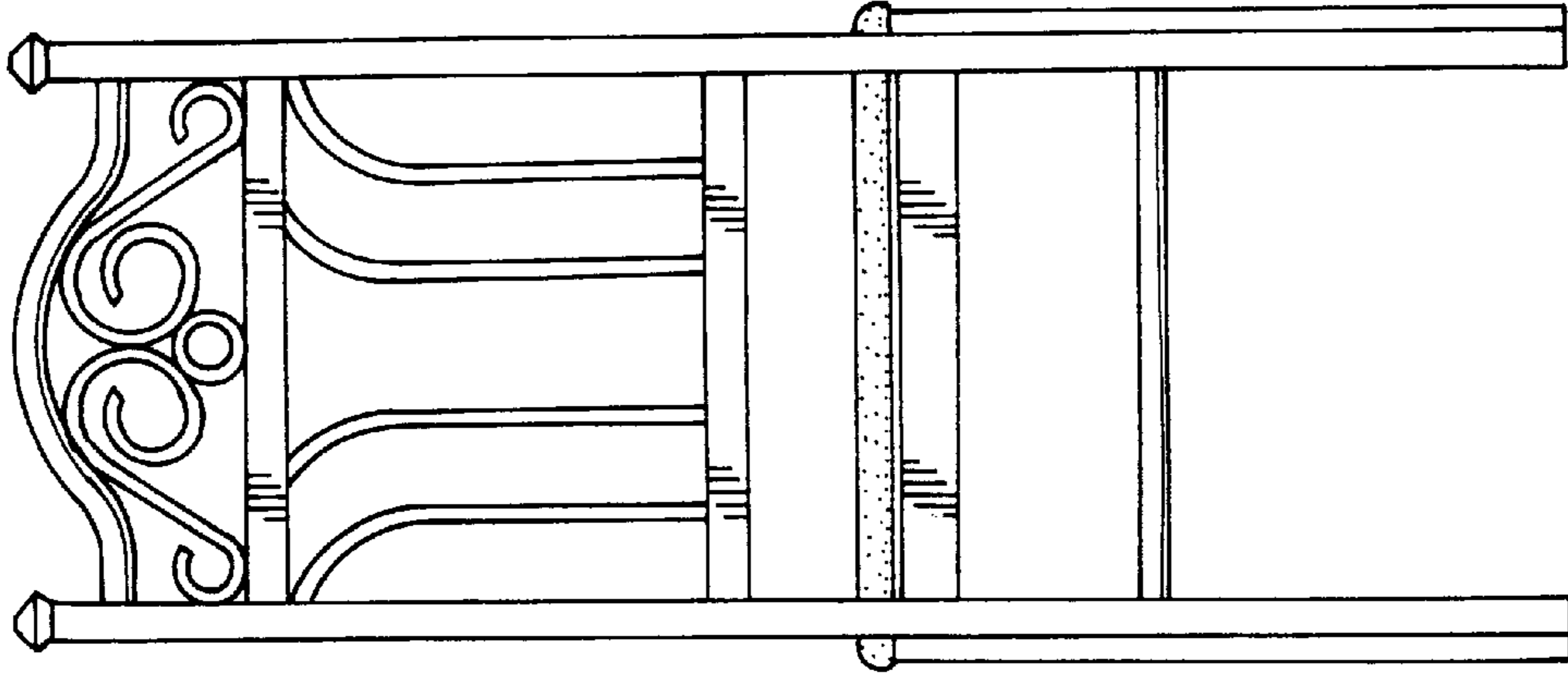


FIG. 3

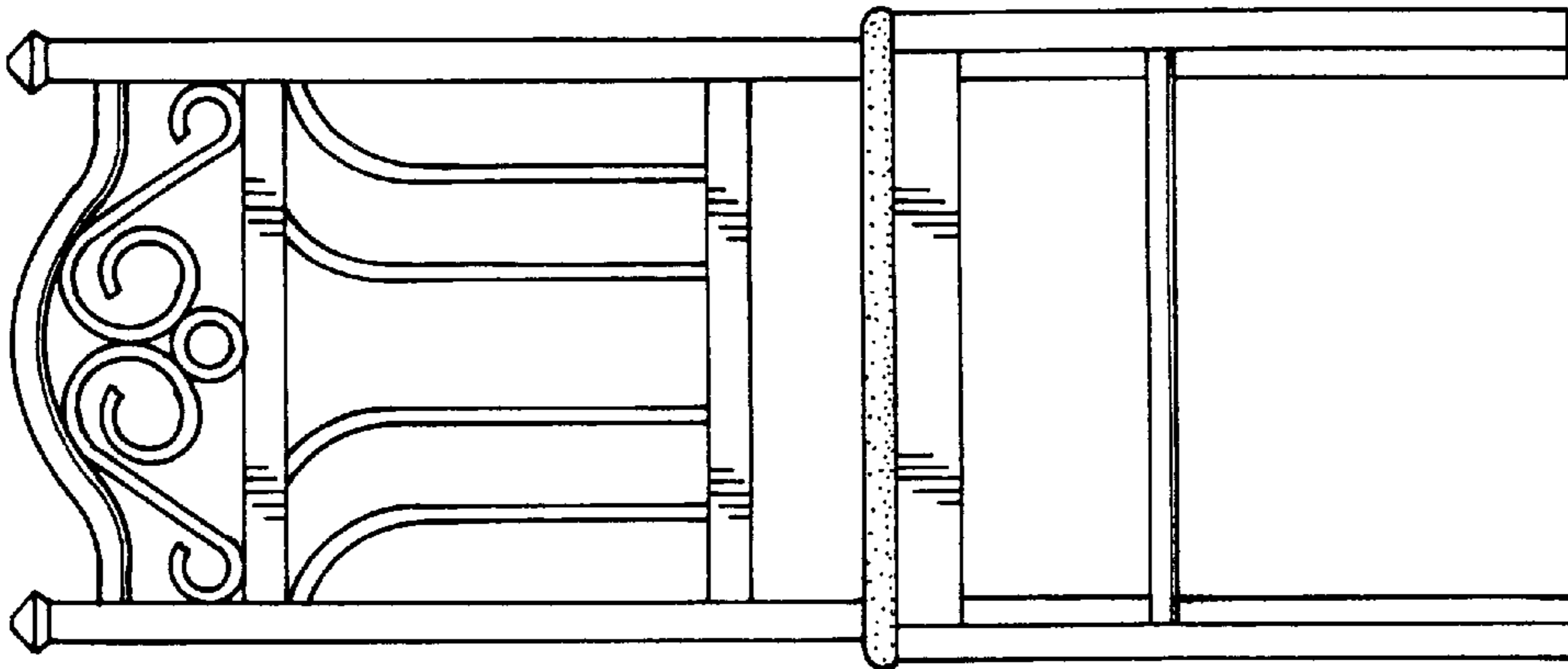


FIG. 2

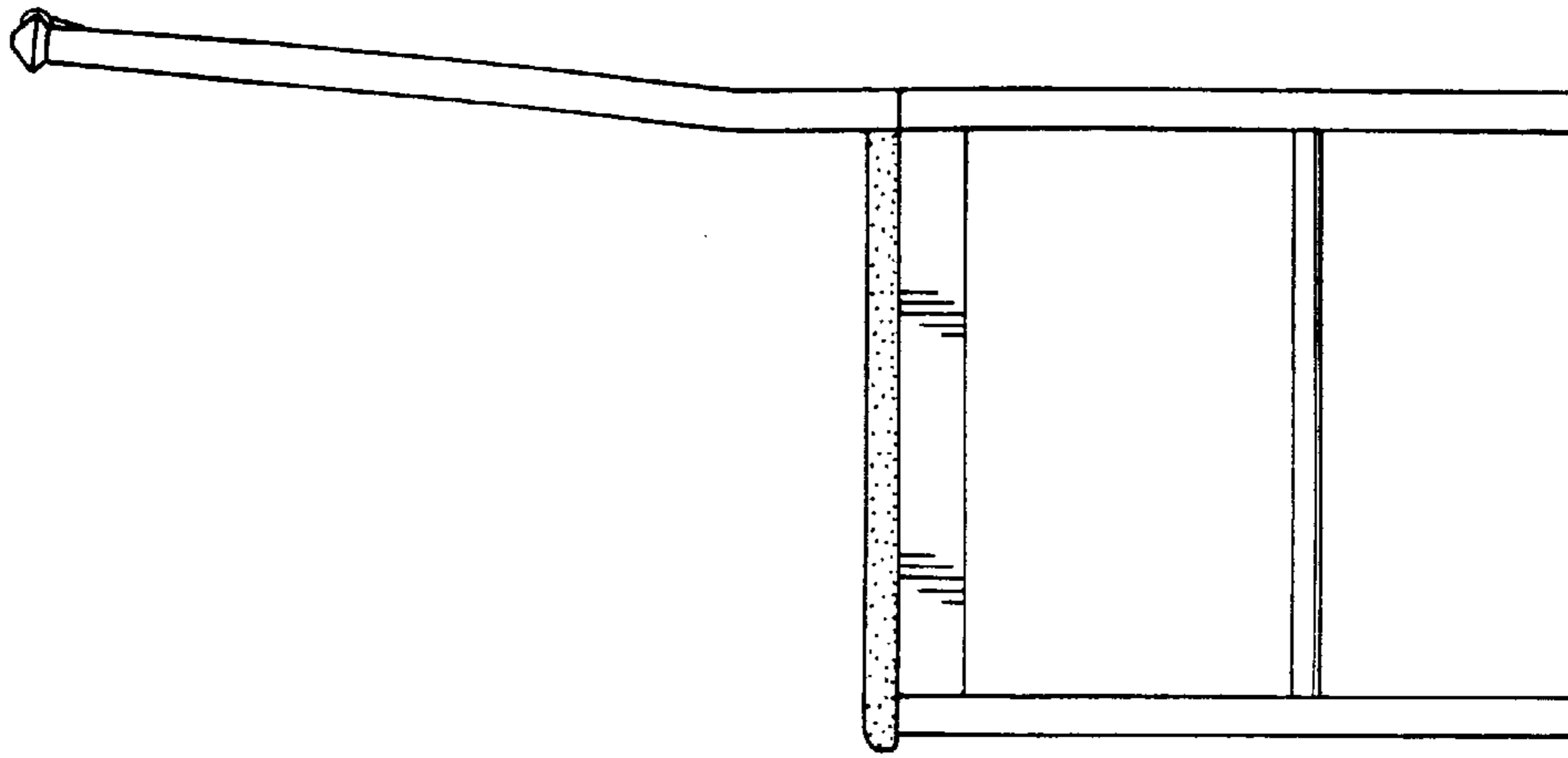


FIG. 5

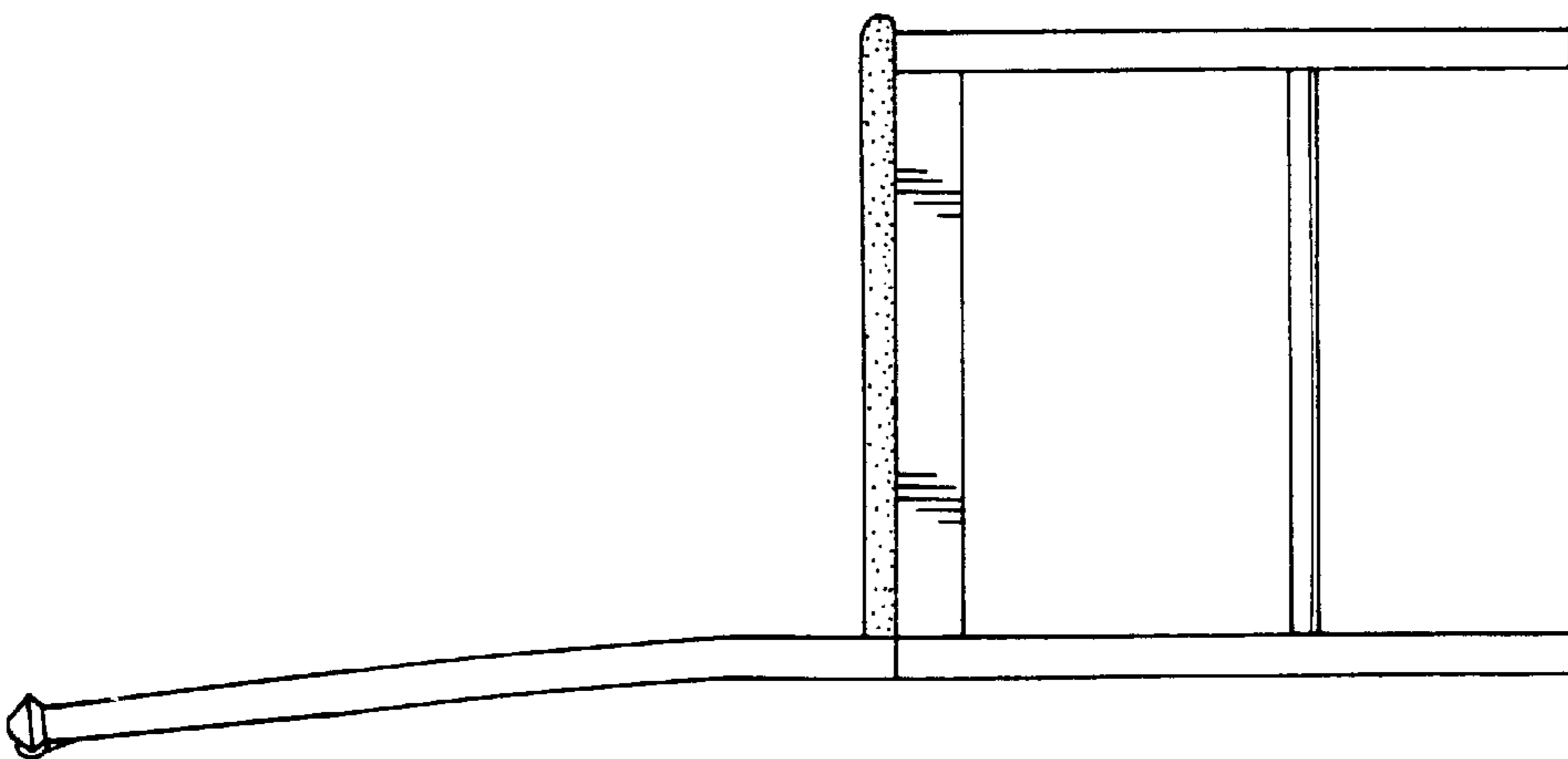


FIG. 4

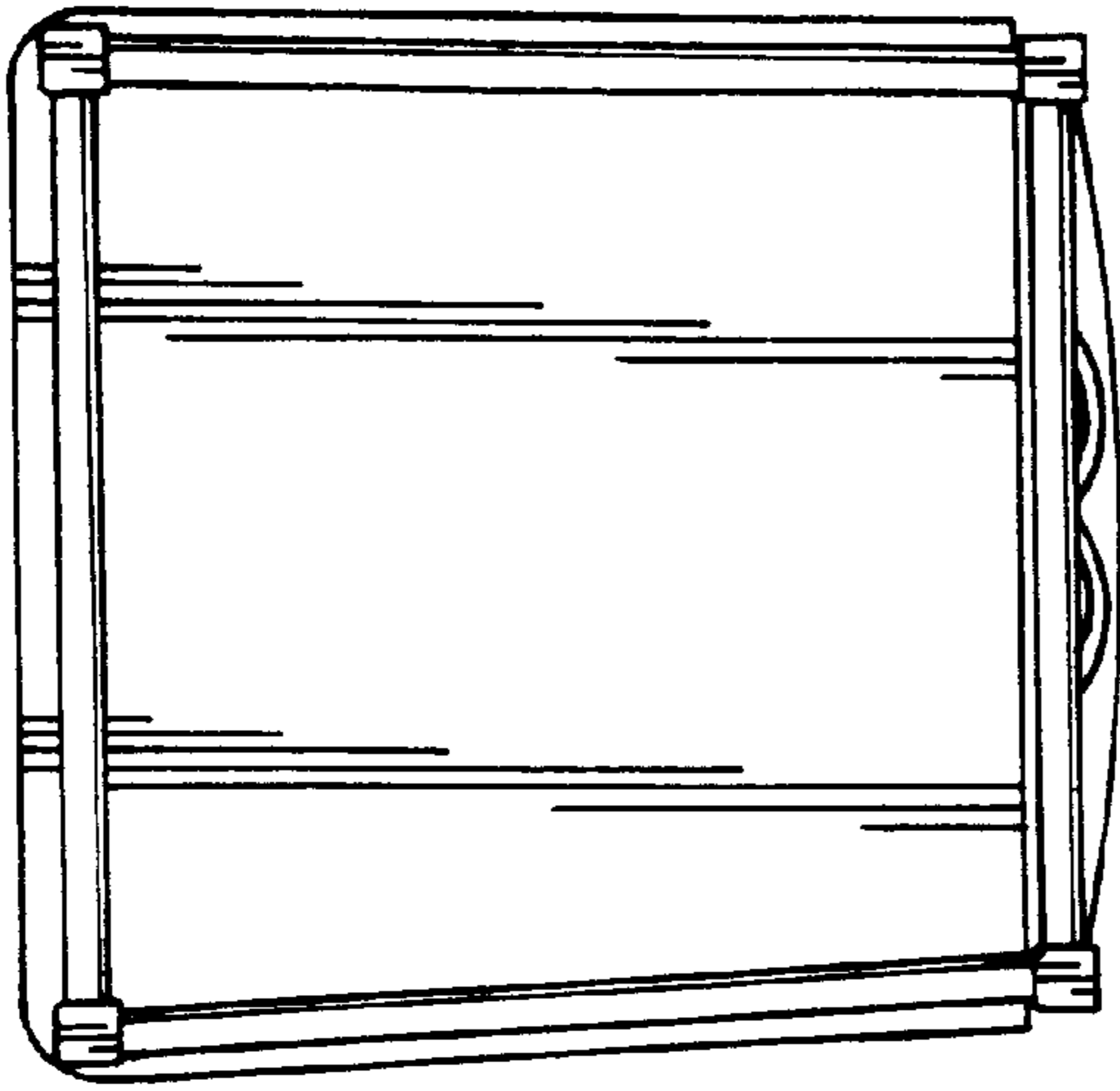


FIG. 7

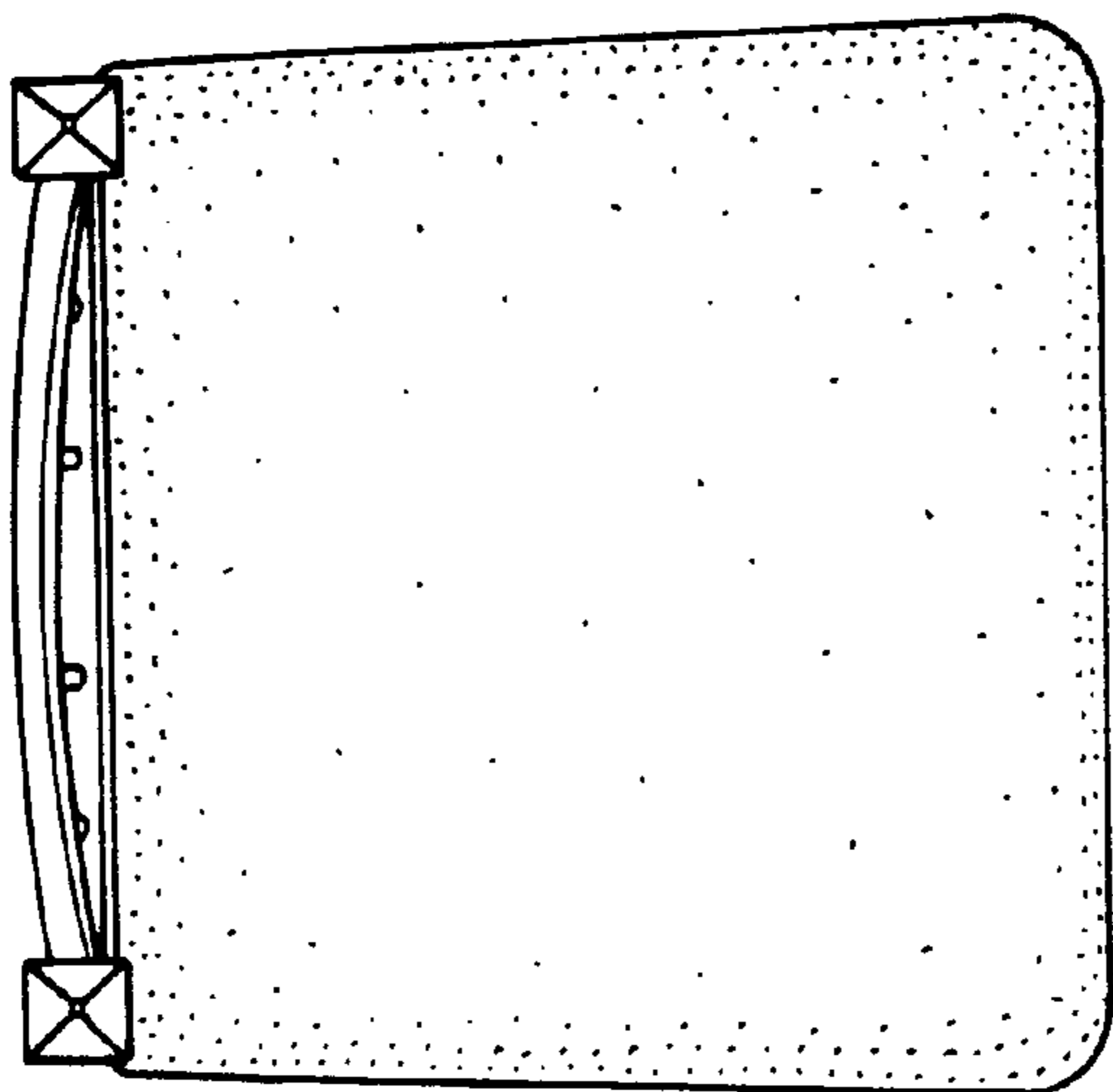


FIG. 6