



US00D427442S

United States Patent [19] Shieh

[11] **Patent Number: Des. 427,442**
[45] **Date of Patent: ** Jul. 4, 2000**

[54] **TABLE AND CHAIR ASSEMBLY**
[75] Inventor: **Miko Shieh**, Taichung Hsien, Taiwan
[73] Assignee: **Wilshine Corp.**, Taichung Hsien, Taiwan
[**] Term: **14 Years**
[21] Appl. No.: **29/099,910**
[22] Filed: **Jan. 29, 1999**
[51] **LOC (7) Cl.** **06-01**
[52] **U.S. Cl.** **D6/337**
[58] **Field of Search** D6/334-336, 337, D6/369, 370, 371, 376, 381, 494, 495, 500, 501, 502; 297/158.1, 158.2, 158.3, 158.4, 158.5, 159.1; 248/188, 188.1

D. 369,912 5/1996 Noll D6/337
2,568,622 9/1951 Hagan 297/158.4
2,746,525 5/1956 Cooper 297/158.5
2,805,708 9/1957 Bohn 297/158.5
2,849,053 8/1958 Beller et al. 297/158.4

Primary Examiner—Doris V. Coles
Assistant Examiner—Mimosa De
Attorney, Agent, or Firm—Irah H. Donner; Gilberto M. Villacorta; Pepper Hamilton LLP

[57] CLAIM

The ornamental design for table and chair assembly, as shown and described.

DESCRIPTION

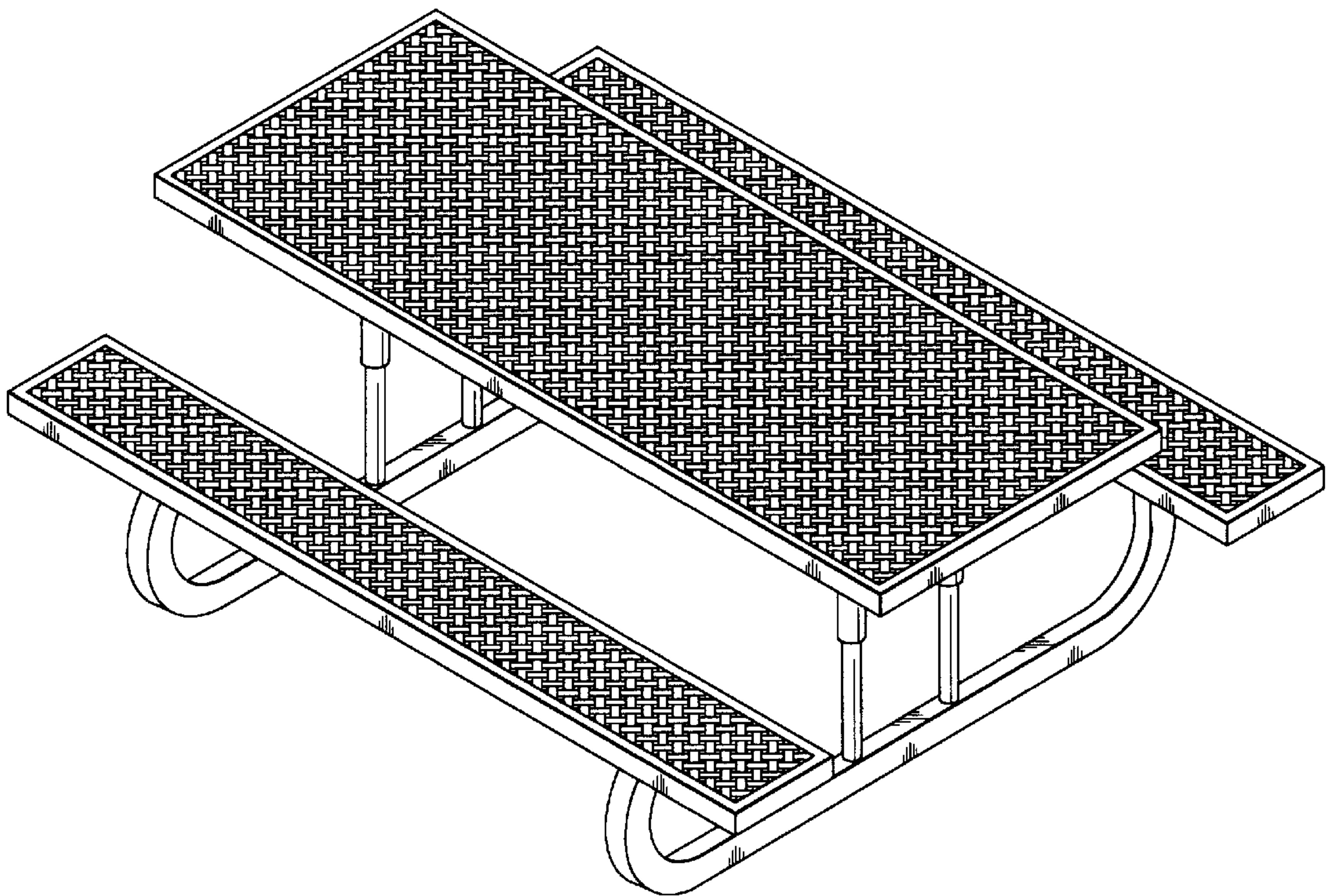
FIG. 1 is a perspective view of table and chair assembly showing my new design;
FIG. 2 is a front elevational view thereof;
FIG. 3 is a rear elevational view thereof;
FIG. 4 is a left side elevational view thereof;
FIG. 5 is a right side elevational view thereof;
FIG. 6 is a top plan view thereof; and,
FIG. 7 is a bottom plan view thereof.

[56] References Cited

U.S. PATENT DOCUMENTS

D. 165,777 1/1952 Offut et al. D6/337
D. 178,535 8/1956 Oglesby D6/337
D. 314,298 2/1991 Pomeroy et al. D6/337
D. 323,947 2/1992 Pomeroy et al. D6/495
D. 357,590 4/1995 Noll D6/337

1 Claim, 5 Drawing Sheets



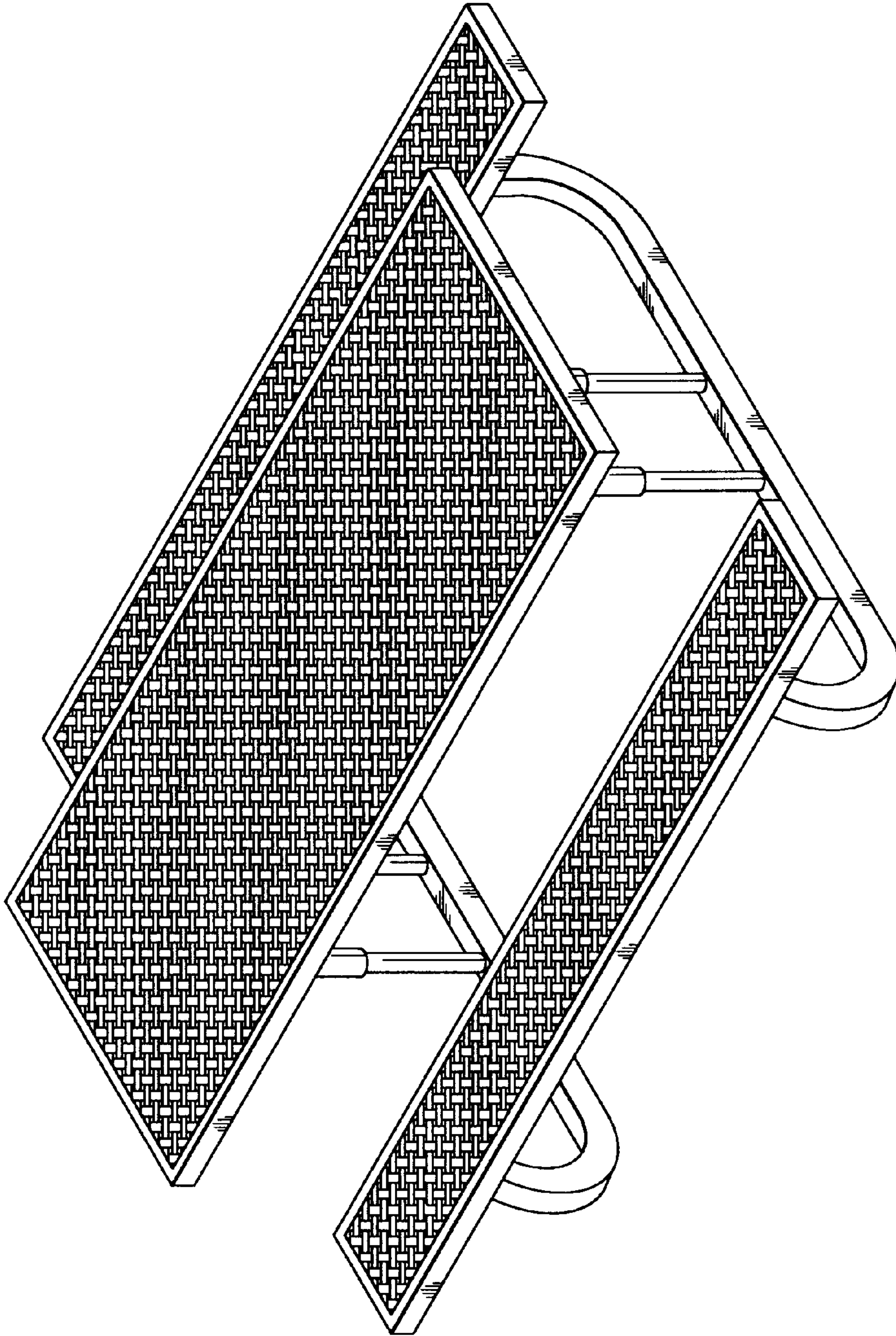


FIG. 1

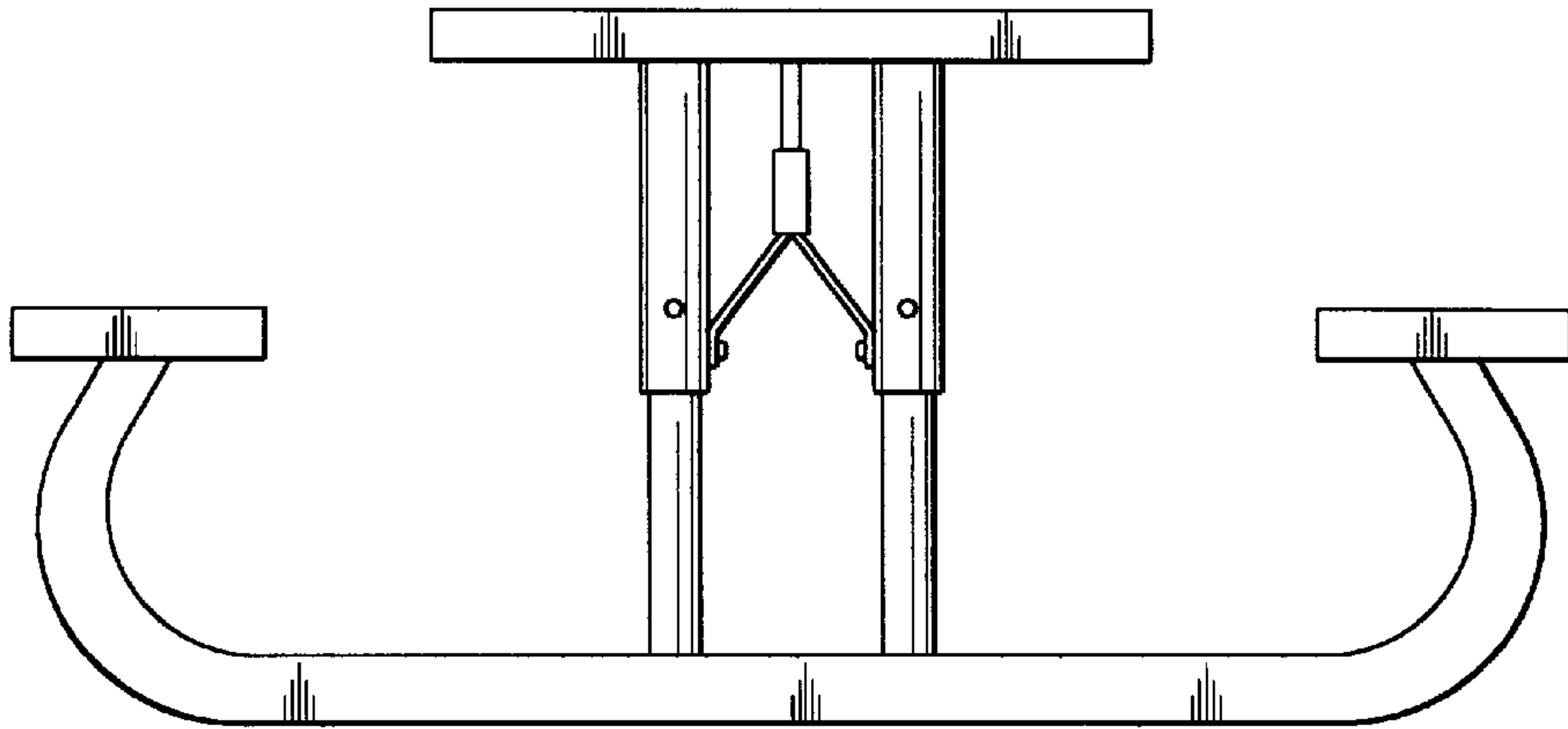


FIG. 2

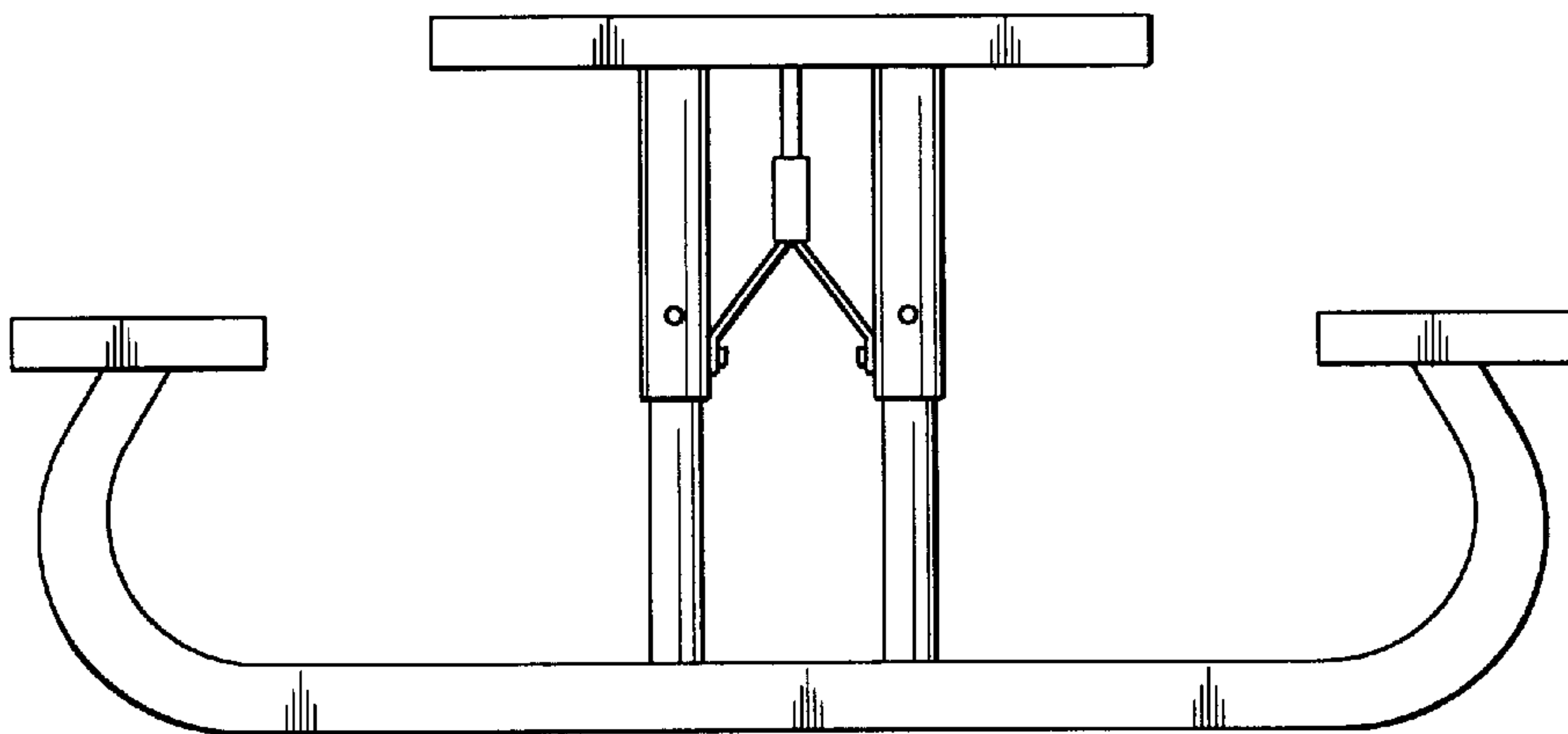


FIG. 3

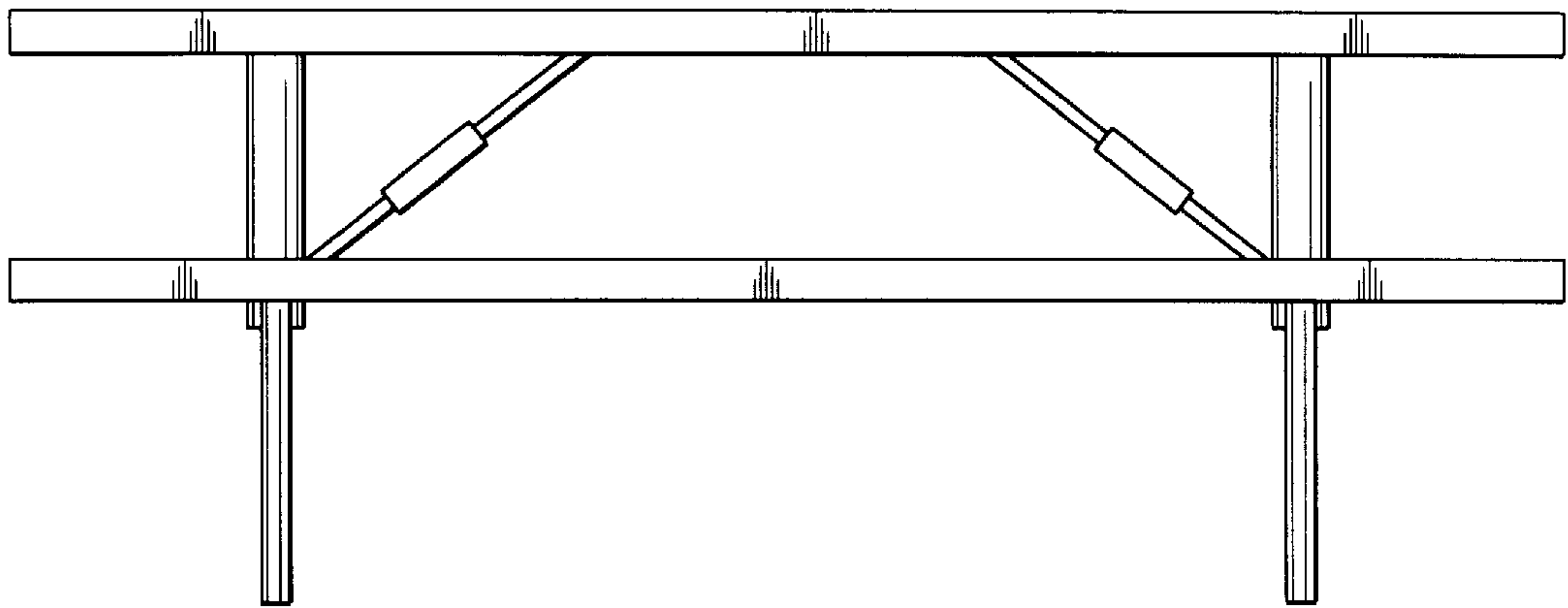


FIG. 4

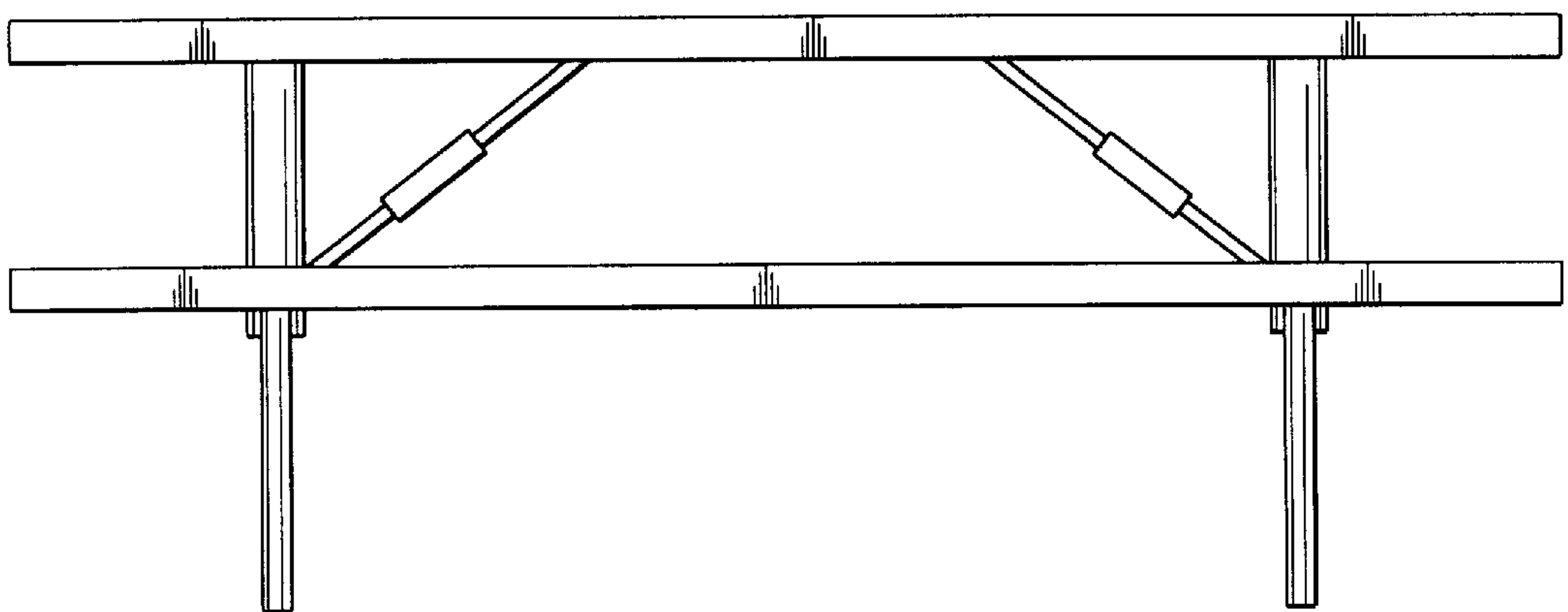


FIG. 5

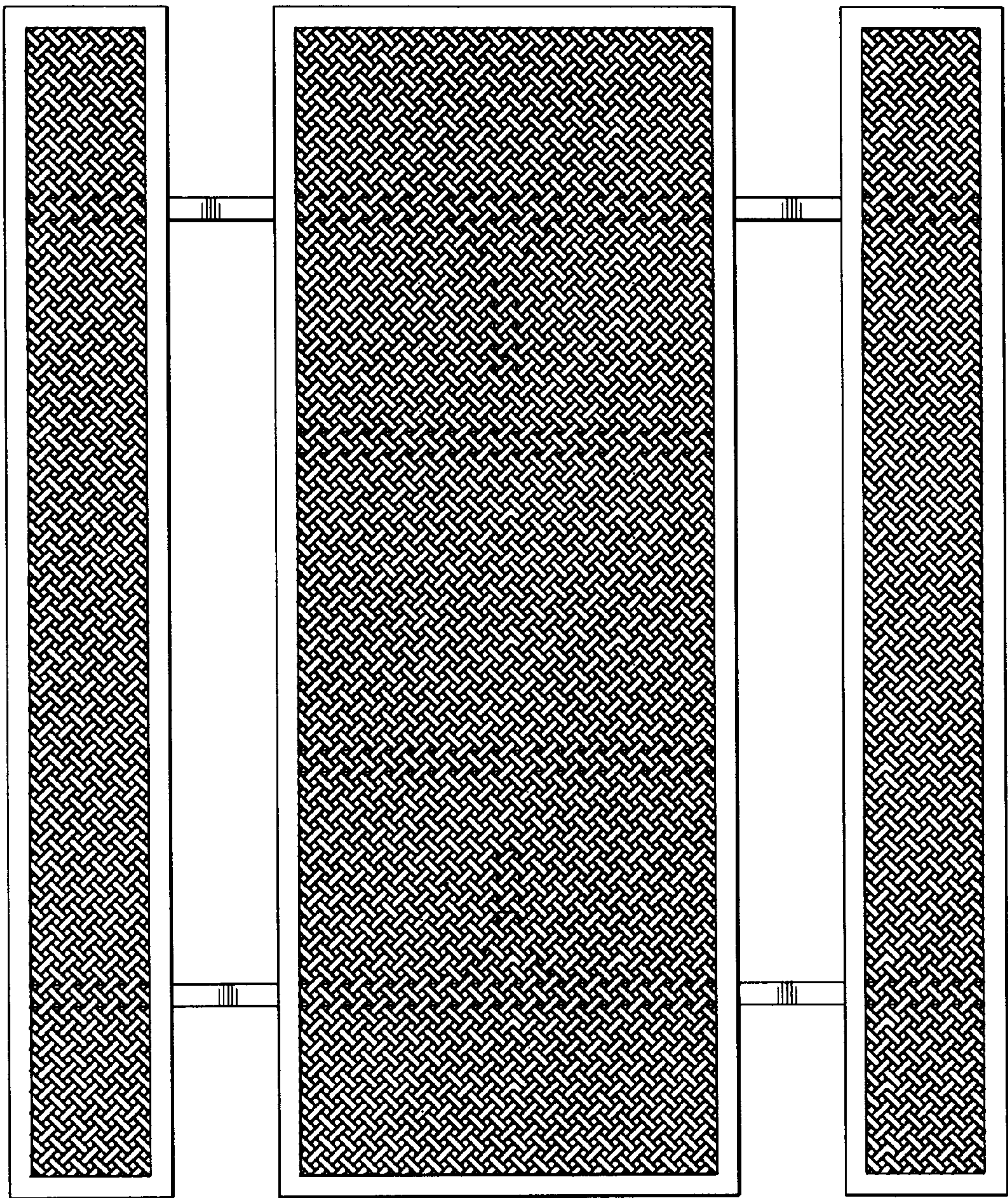


FIG. 6

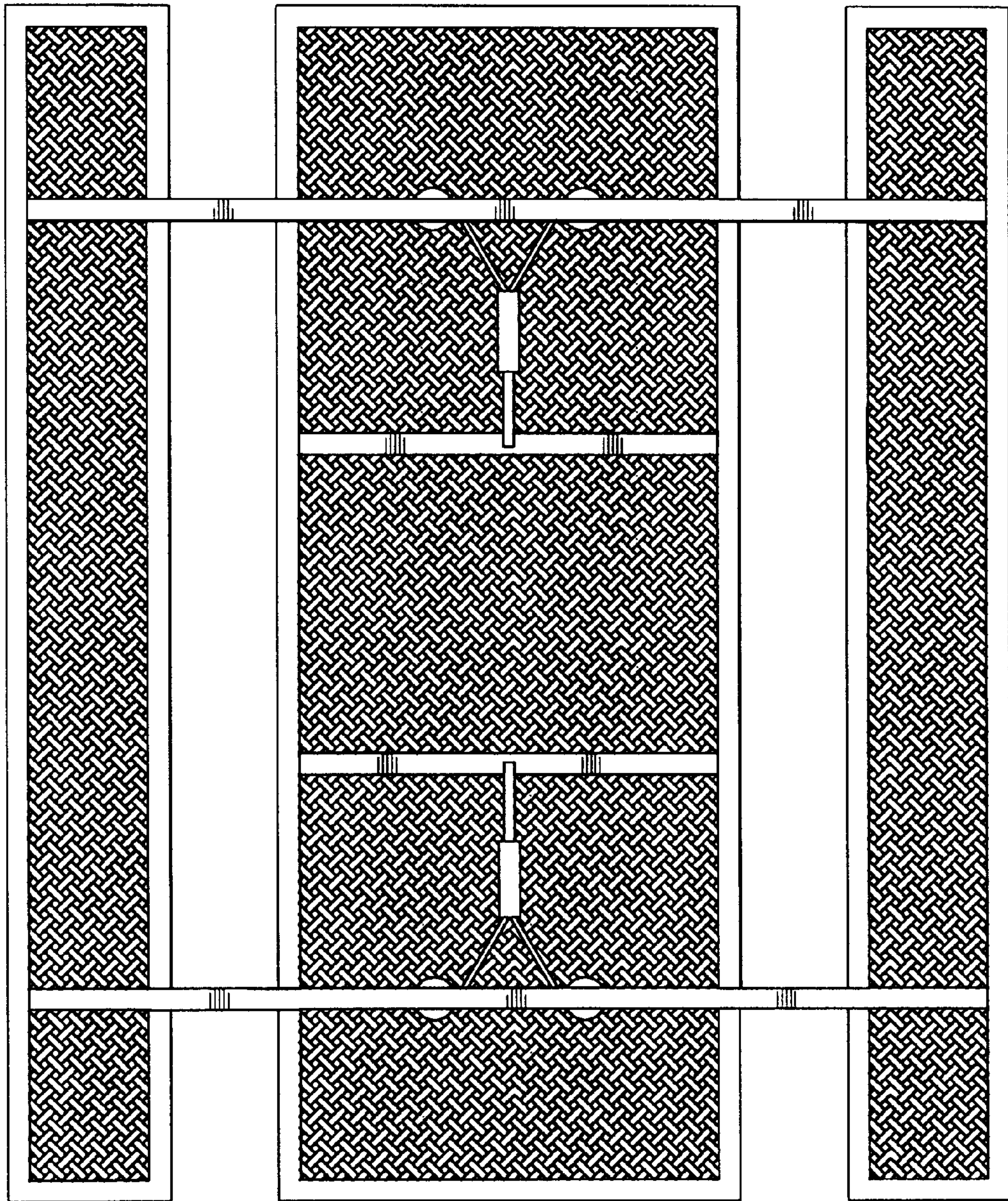


FIG. 7