



US00D427440S

# United States Patent [19] Rowan

[11] **Patent Number: Des. 427,440**  
[45] **Date of Patent: \*\* Jul. 4, 2000**

[54] **PICTURE FRAME**

[76] Inventor: **Paul Rowan**, 40 Emblem Court,  
Toronto, Ontario, Canada, M1S 1B1

[\*\*] Term: **14 Years**

[21] Appl. No.: **29/116,907**

[22] Filed: **Jan. 11, 2000**

[51] **LOC (7) Cl.** ..... **06-07**

[52] **U.S. Cl.** ..... **D6/300**

[58] **Field of Search** ..... D6/300-314, 332;  
40/700, 711, 714, 716, 720, 735, 745, 765,  
766, 780, 790

[56] **References Cited**

**U.S. PATENT DOCUMENTS**

- D. 271,358 11/1983 Le .
- D. 332,528 1/1993 Neal .
- D. 339,238 9/1993 Hamilton .
- D. 383,794 9/1997 Mullen .
- D. 387,566 12/1997 Celentano et al. .
- D. 396,559 8/1998 Mullen .
- 3,774,332 11/1973 Schneider .
- 5,575,094 11/1996 Leake et al. .... 40/124.09
- 5,845,425 12/1998 Leake et al. .... 40/725

**OTHER PUBLICATIONS**

Burnes of Boston, 1983, p. 13, frame #8180 at left and center.

Burnes of Boston, p. 14, 1984, 5051 Series, top left of page.  
Gifts and Decorative Accessories publication, p. 11, Feb. 1985.

Hong Kong Enterprise, Mar. 1989, p. 536, top left of page.

*Primary Examiner*—Janice E. Seeger

[57] **CLAIM**

The ornamental design for a picture frame, as shown and described.

**DESCRIPTION**

FIG. 1 is a perspective view of a picture frame showing my new design;

FIG. 2 is a front view thereof;

FIG. 3 is a top view thereof, the bottom view being identical;

FIG. 4 is a left side view thereof;

FIG. 5 is a right side view thereof;

FIG. 6 is a perspective view of a second embodiment of my design; and,

FIG. 7 is a perspective view of a third embodiment of my design.

The broken lines shown in the FIGURES represent environmental subject matter and form no part of the claimed design.

**1 Claim, 3 Drawing Sheets**

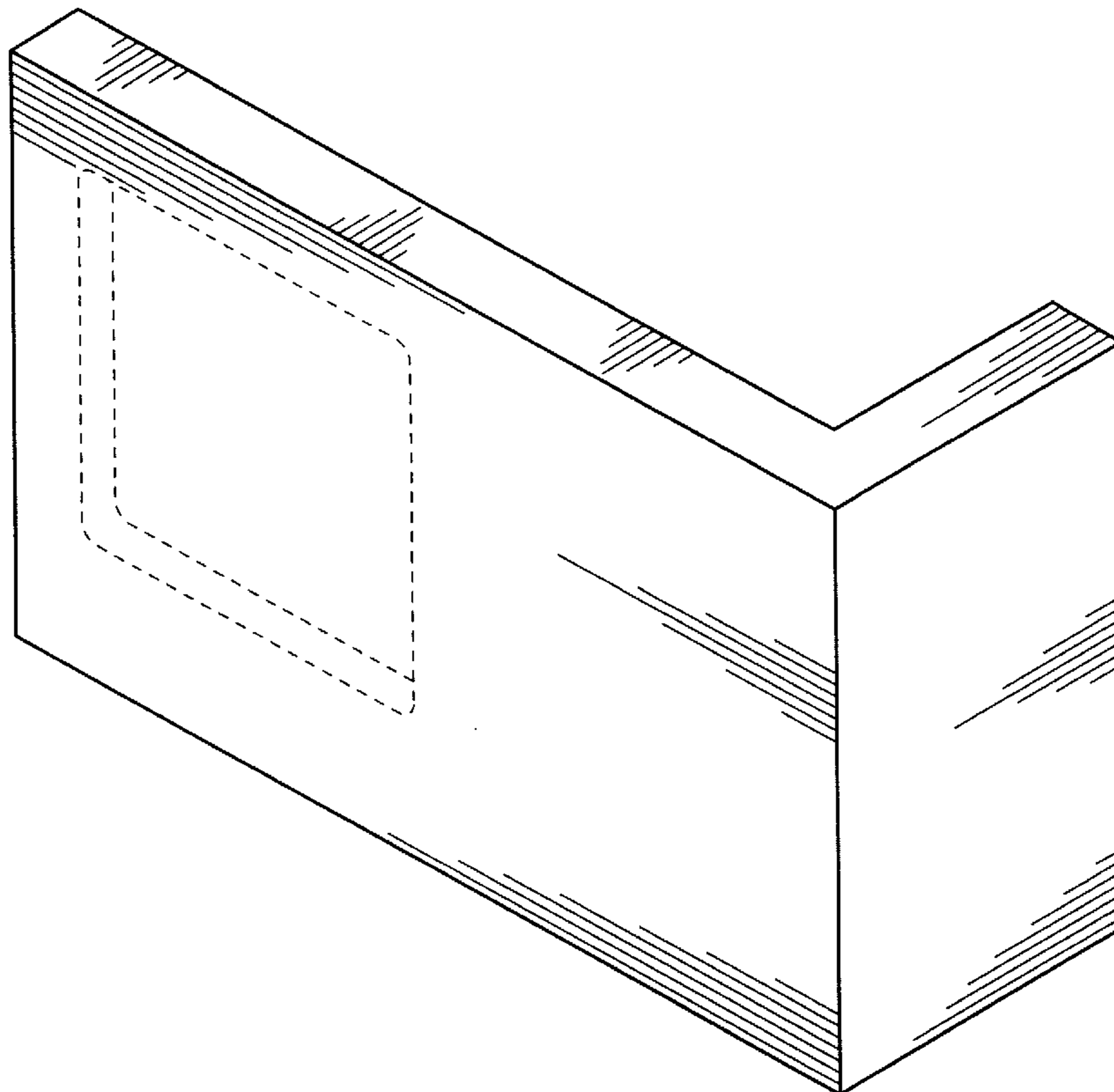


FIG. 1

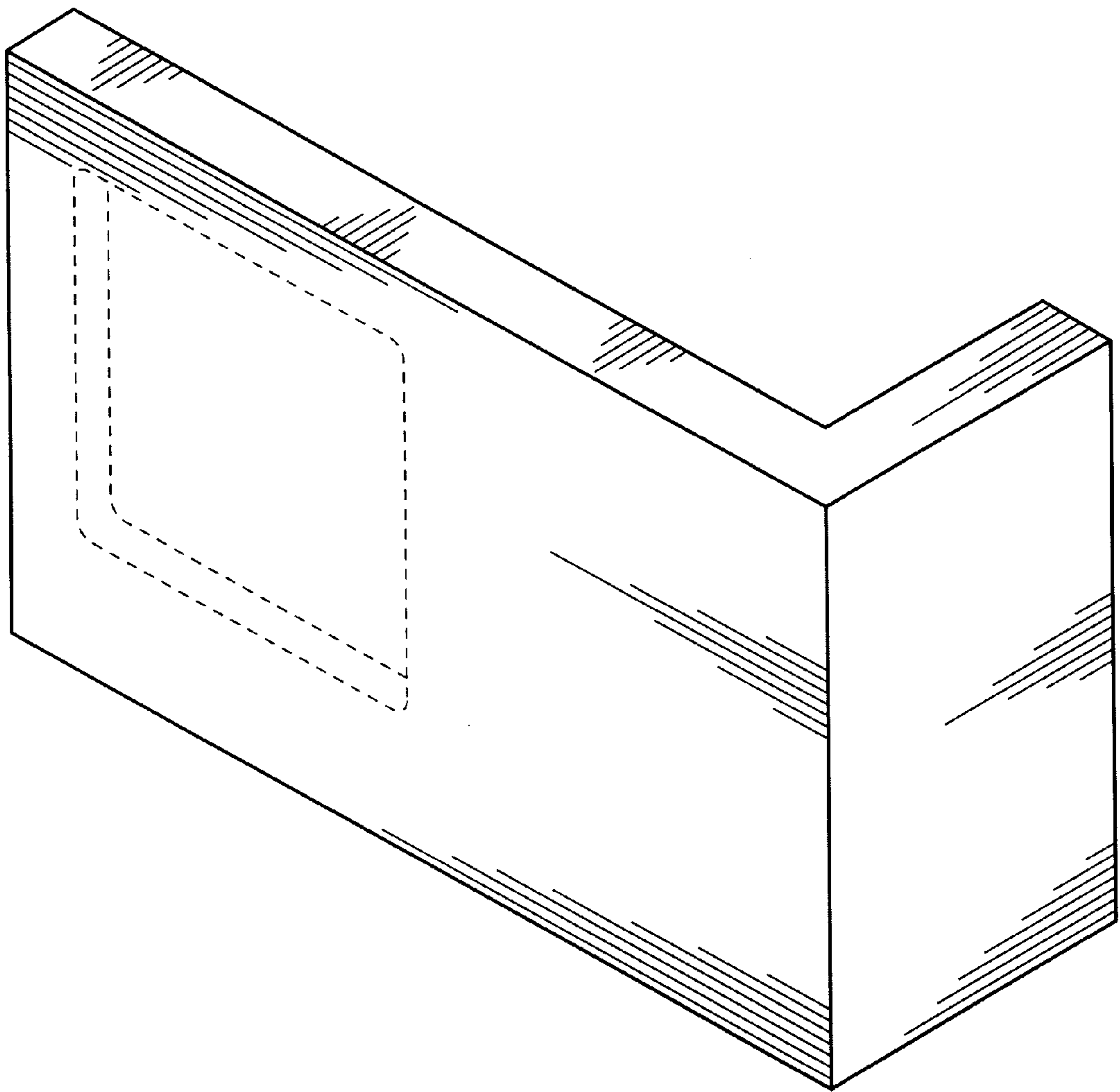


FIG. 2

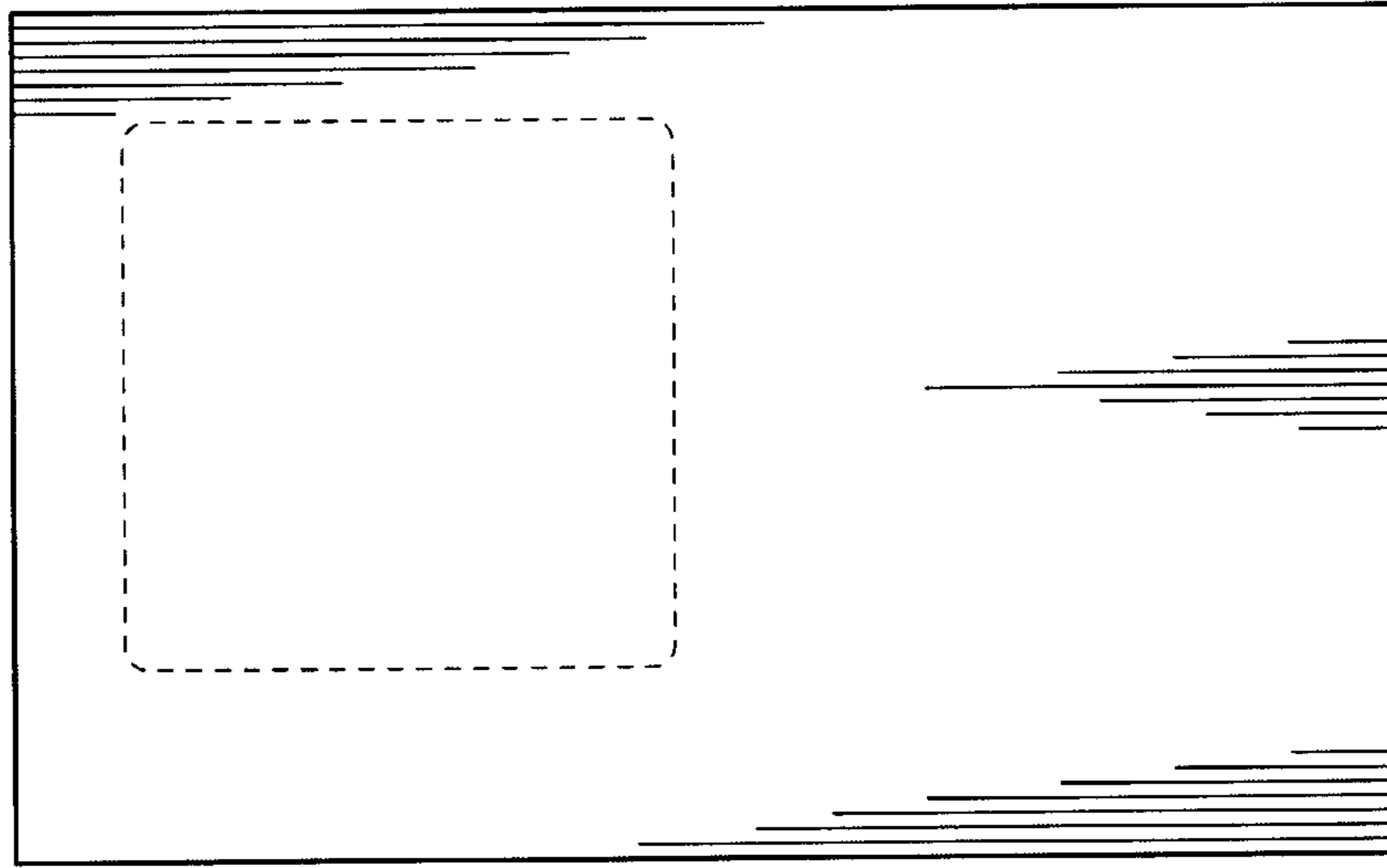


FIG. 3

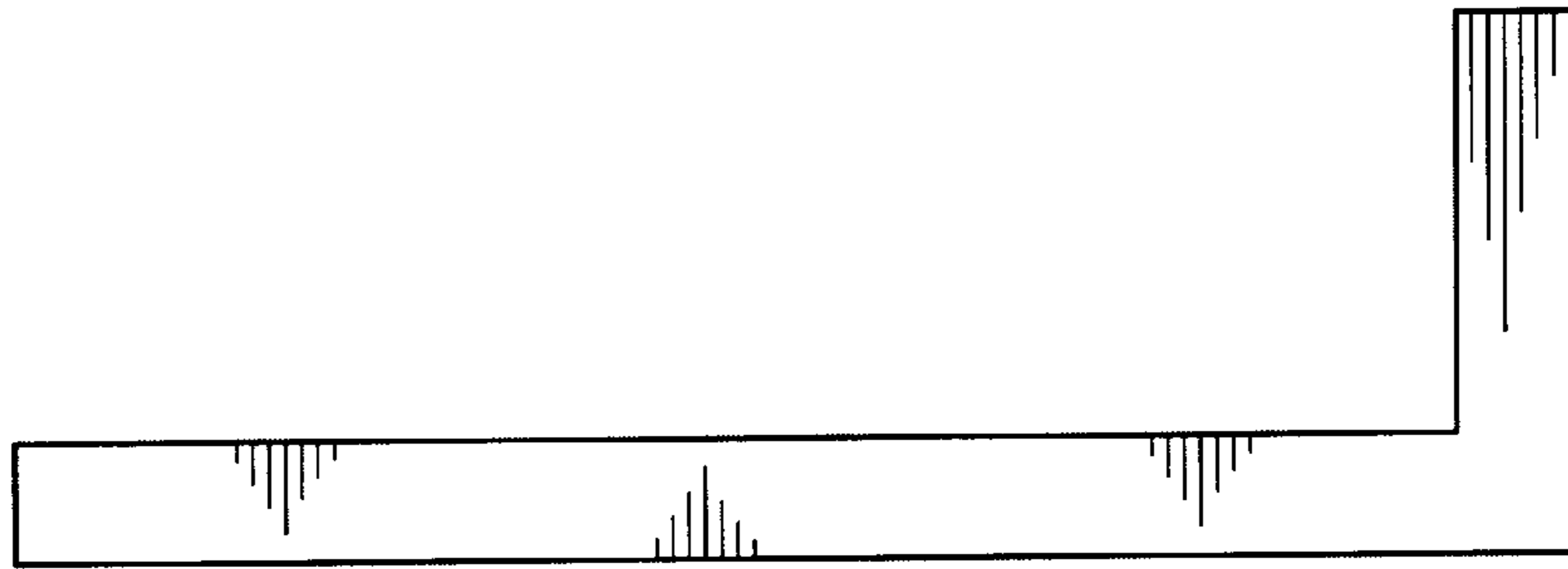


FIG. 4

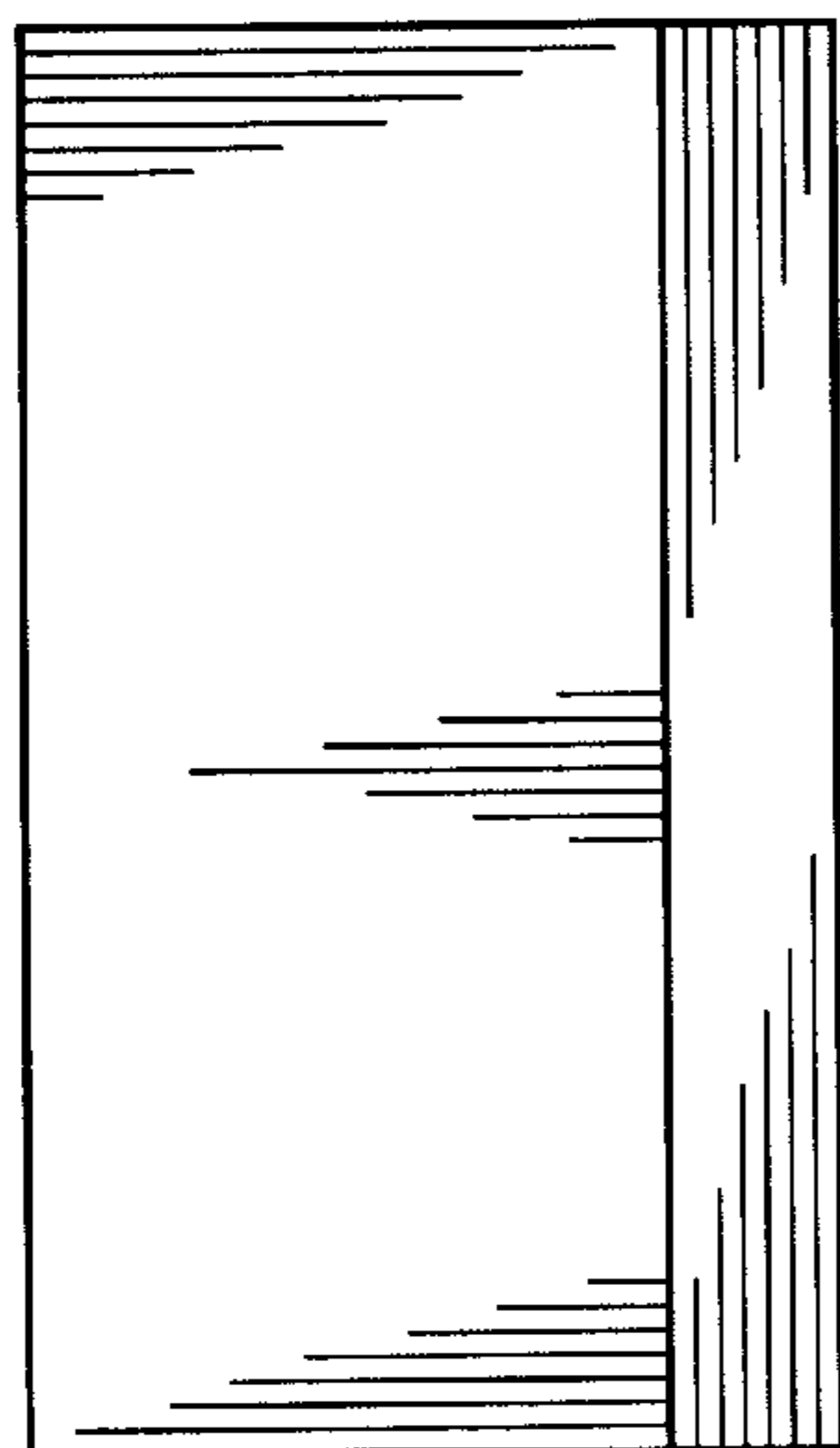


FIG. 5

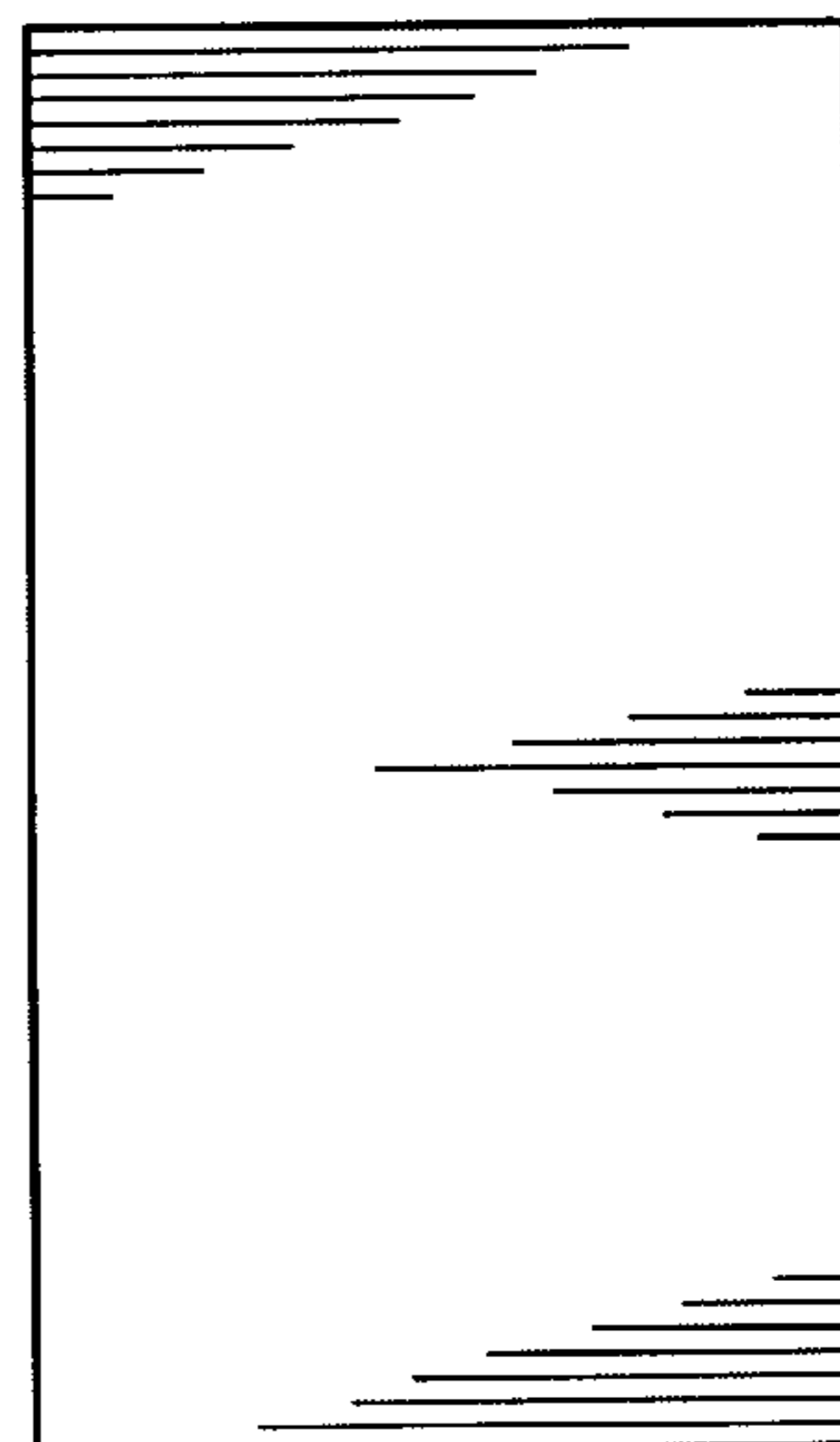


FIG. 6

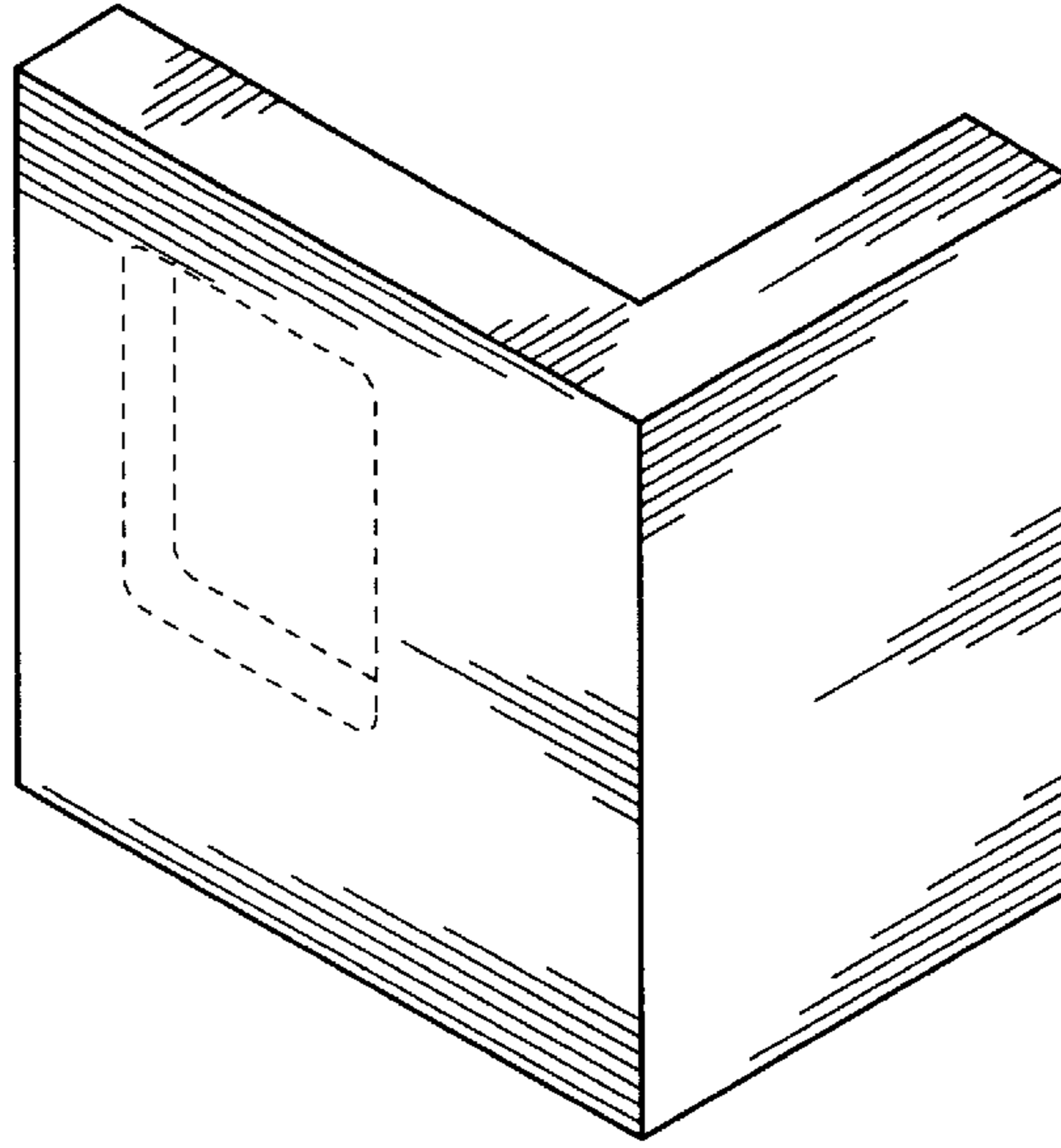


FIG. 7

