



US00D427438S

**United States Patent** [19]  
**Dudek**

[11] **Patent Number: Des. 427,438**  
[45] **Date of Patent: \*\* Jul. 4, 2000**

[54] **PHOTO RACK**

D. 392,109 3/1998 Frankel ..... D6/300  
5,349,770 9/1994 Bursey et al. .... 40/124.2

[75] Inventor: **Nicholas A. Dudek**, 425 Madison St.,  
Ravenna, Ohio 44266

*Primary Examiner*—Janice E. Seeger  
*Attorney, Agent, or Firm*—Emerson & Associates; Roger D.  
Emerson

[73] Assignee: **Nicholas A. Dudek**, Ravenna, Ohio

[\*\*] Term: **14 Years**

[57] **CLAIM**

[21] Appl. No.: **29/097,478**

The ornamental design for a photo rack, as shown.

[22] Filed: **Dec. 8, 1998**

**DESCRIPTION**

[51] **LOC (7) Cl.** ..... **06-06**

[52] **U.S. Cl.** ..... **D6/300; D6/310**

[58] **Field of Search** ..... D6/300–314; 40/700,  
40/711, 714–716, 720–722, 724, 735, 734,  
733, 738, 765, 790, 798

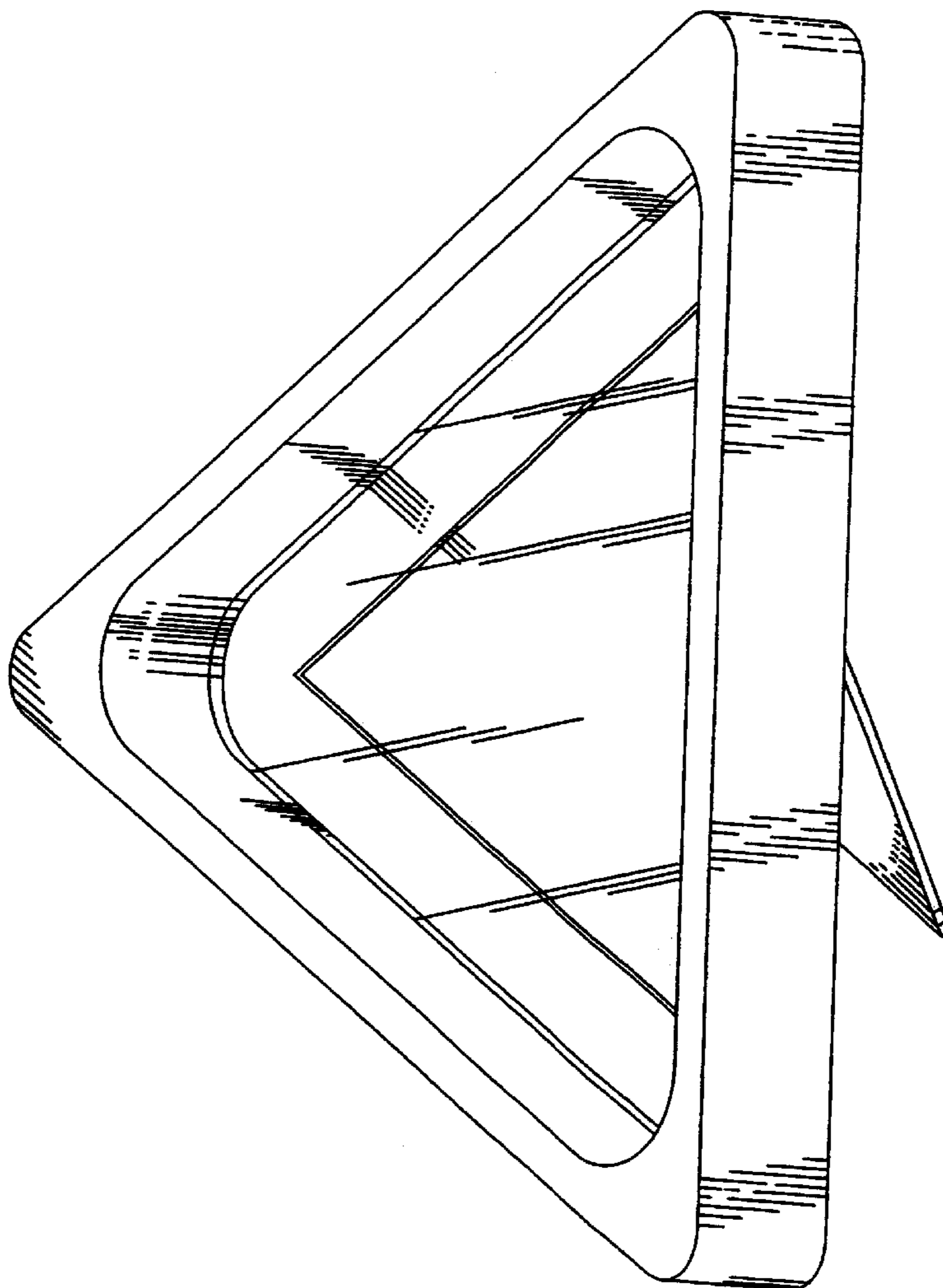
FIG. 1 is a front right perspective view of the photo rack;  
FIG. 2 is a rear left perspective view of the photo rack;  
FIG. 3 is a rear right perspective view of the photo rack;  
FIG. 4 is a front left perspective view of the photo rack;  
FIG. 5 is a top view of the photo rack; and,  
FIG. 6 is a bottom view of the photo rack.

[56] **References Cited**

**U.S. PATENT DOCUMENTS**

D. 344,188 2/1994 Dominguez et al. .... D6/303

**1 Claim, 6 Drawing Sheets**



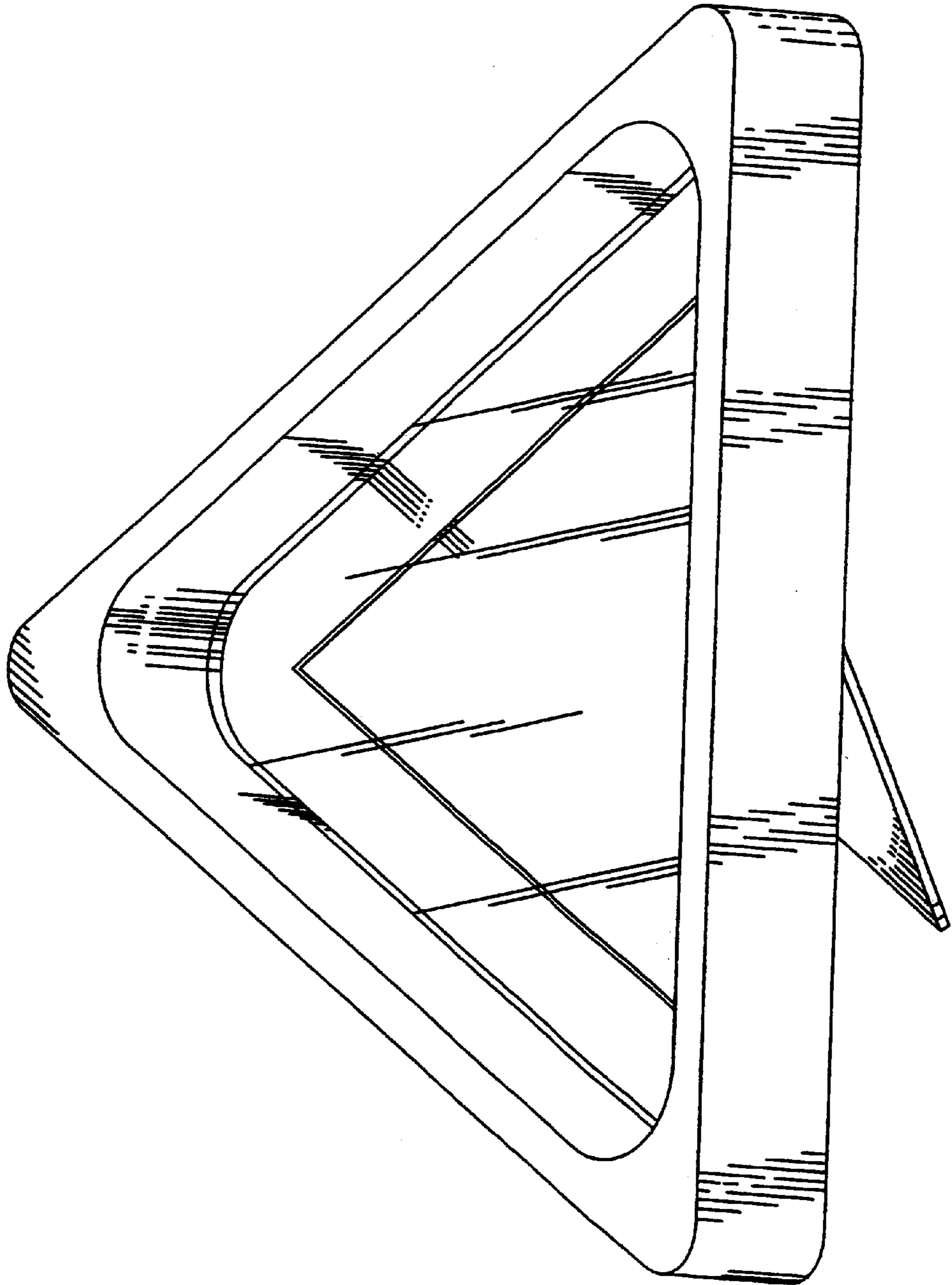


FIG-1

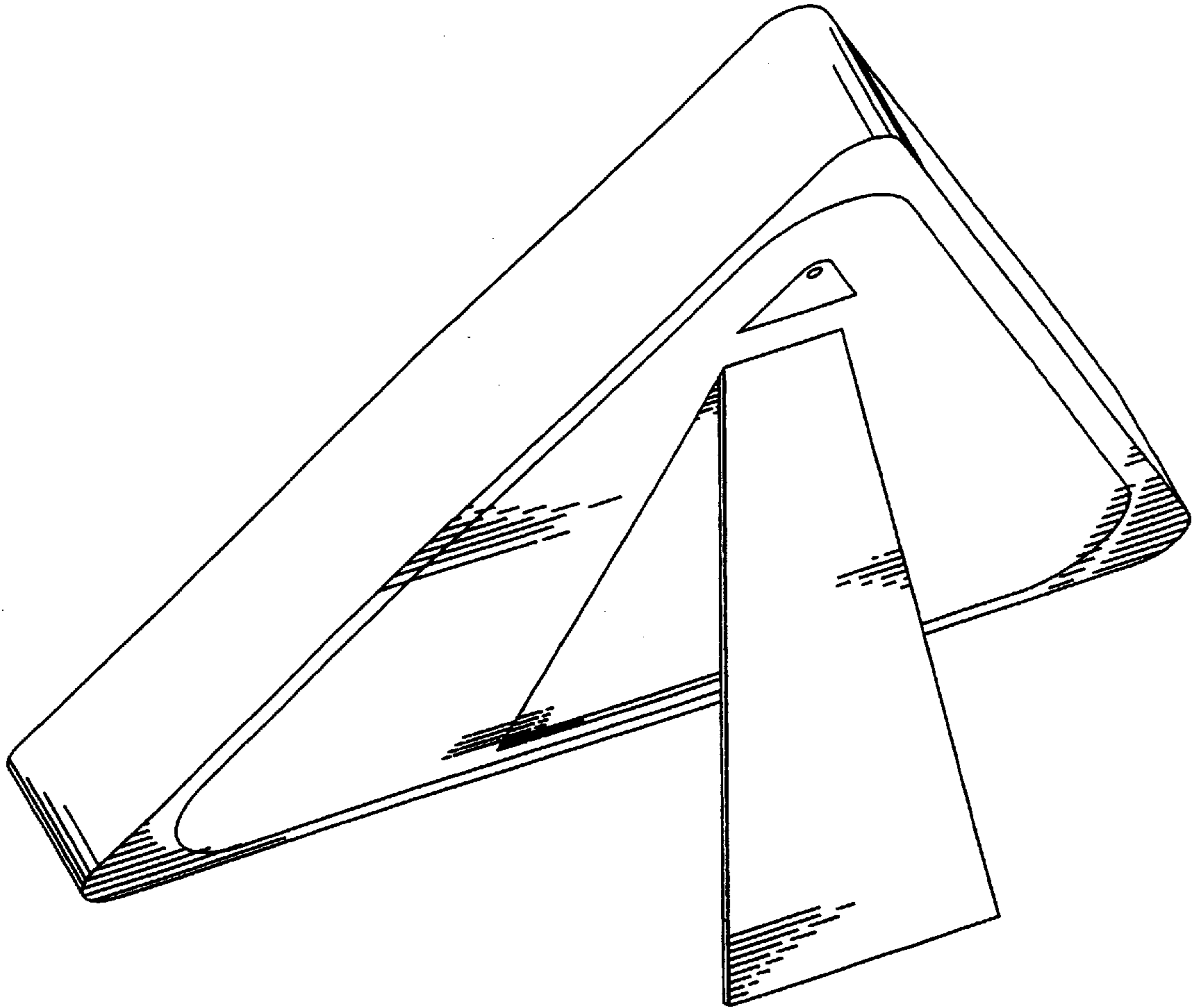


FIG-2

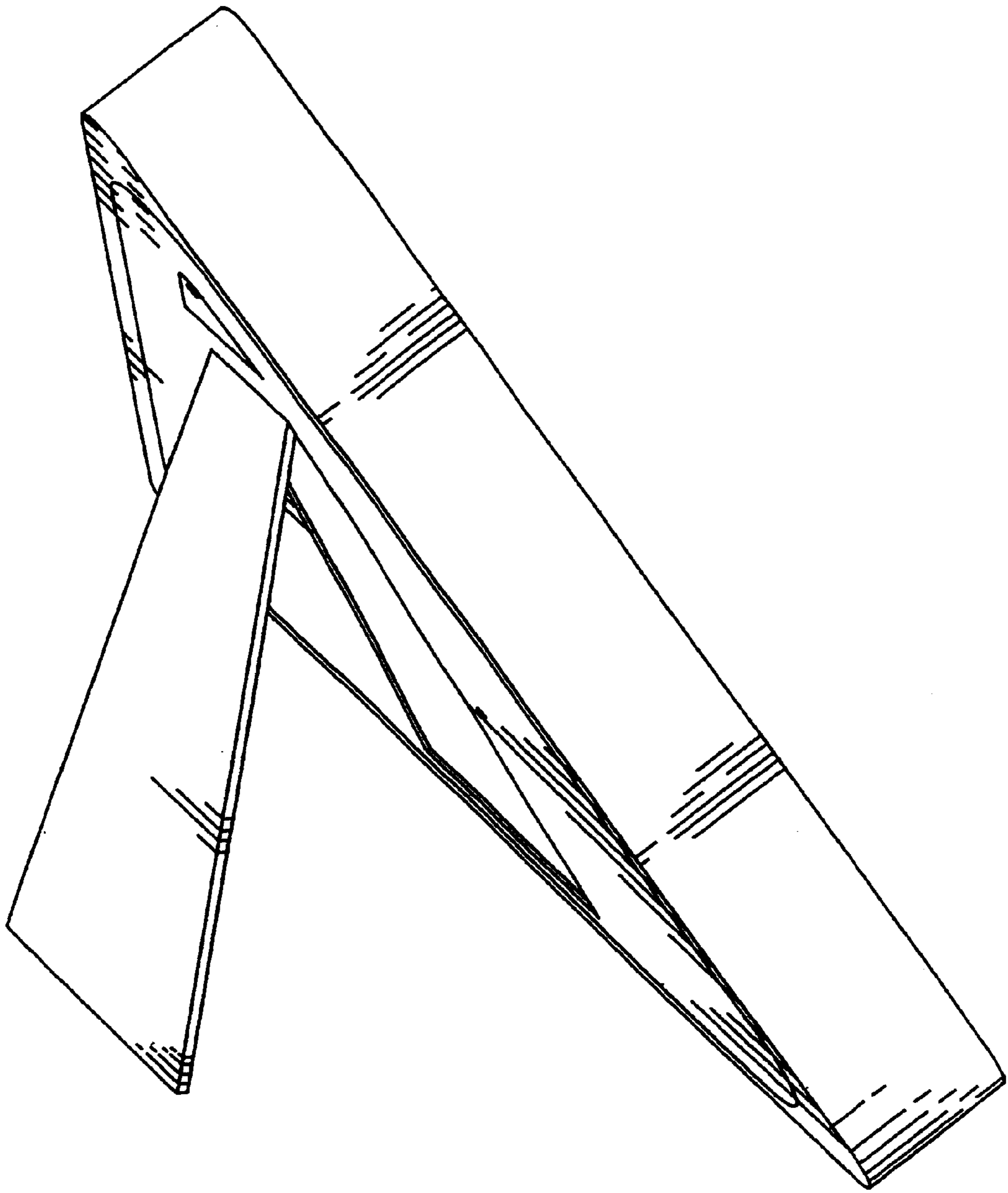


FIG-3

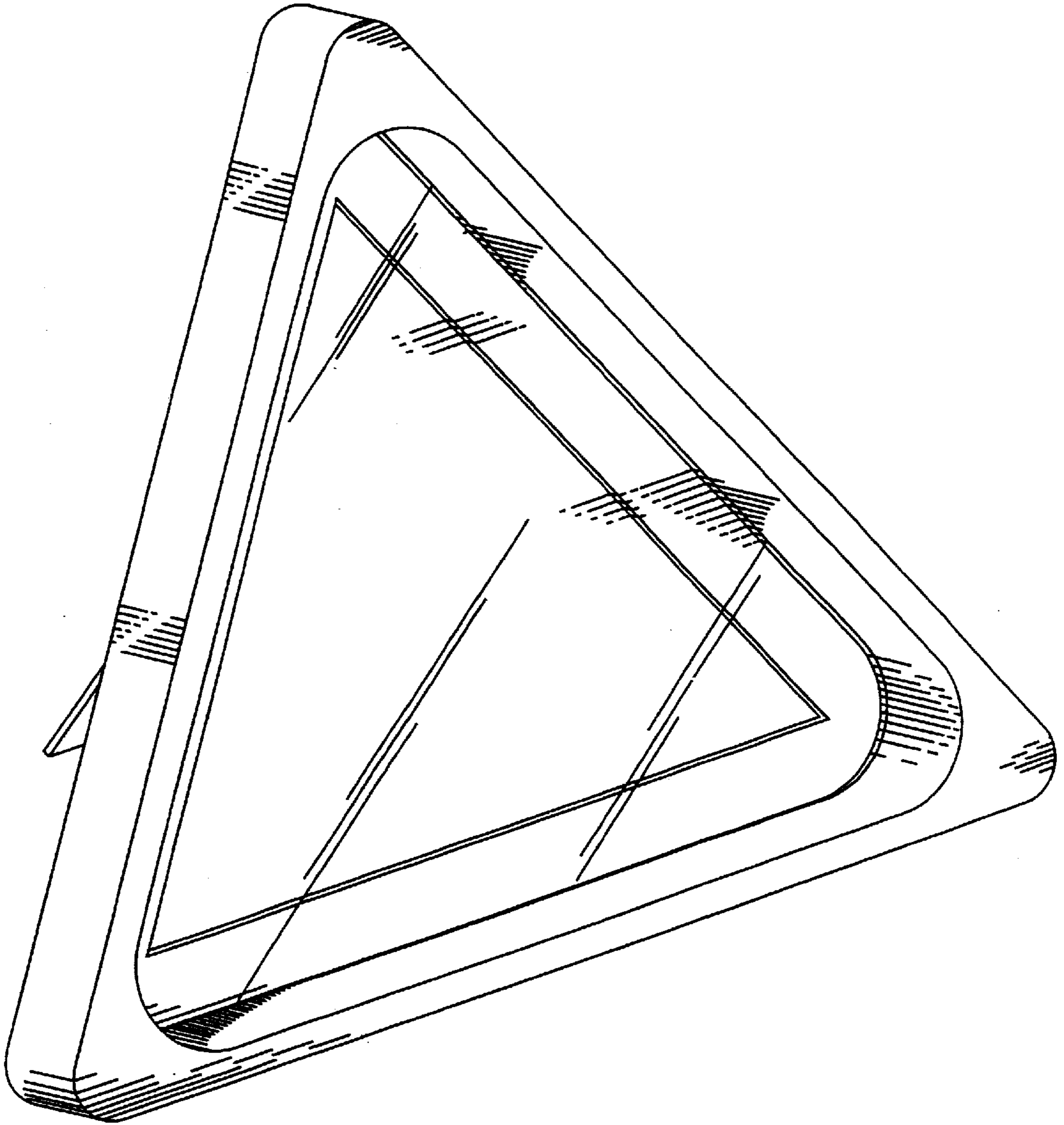


FIG-4

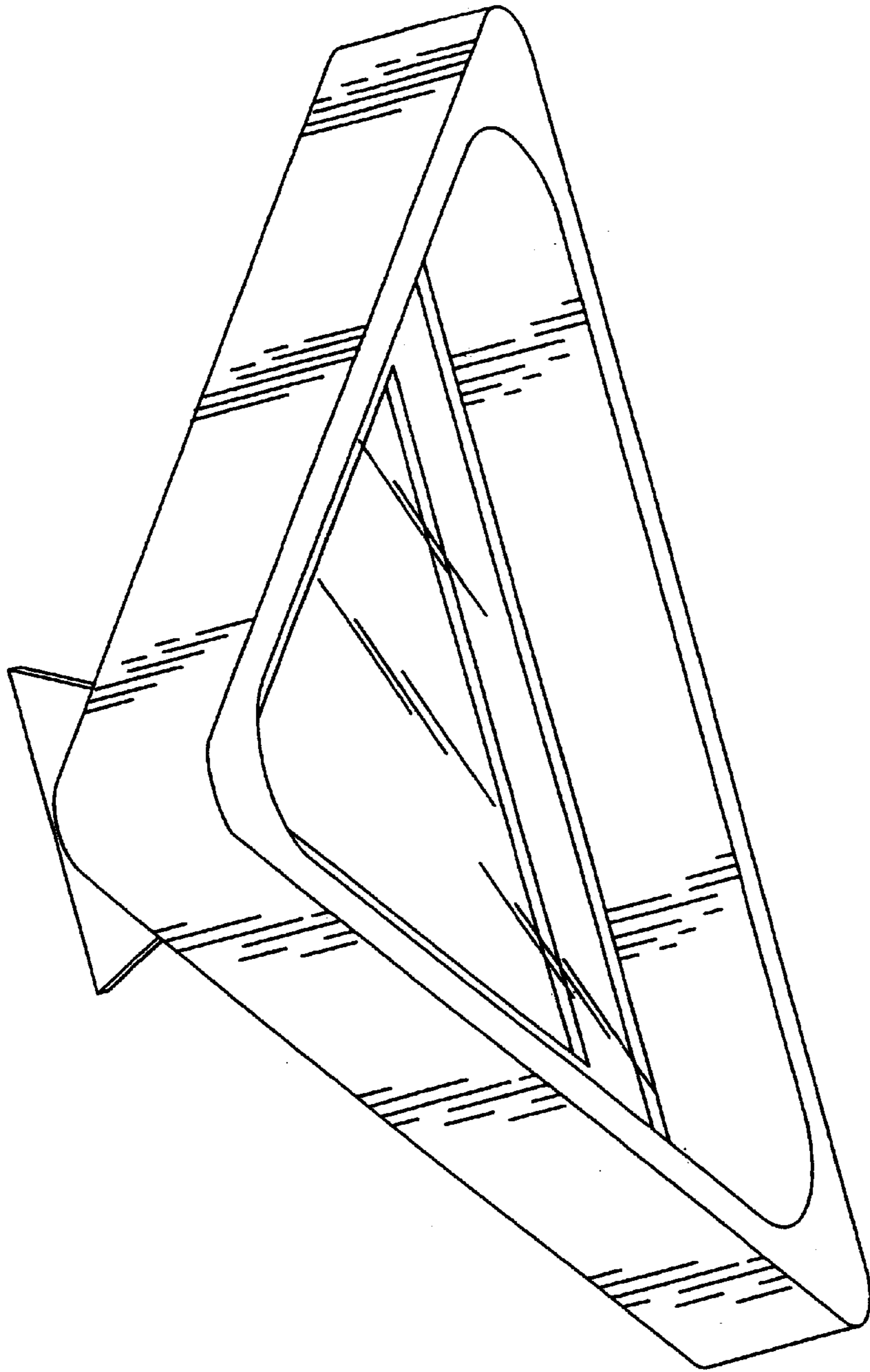


FIG-5

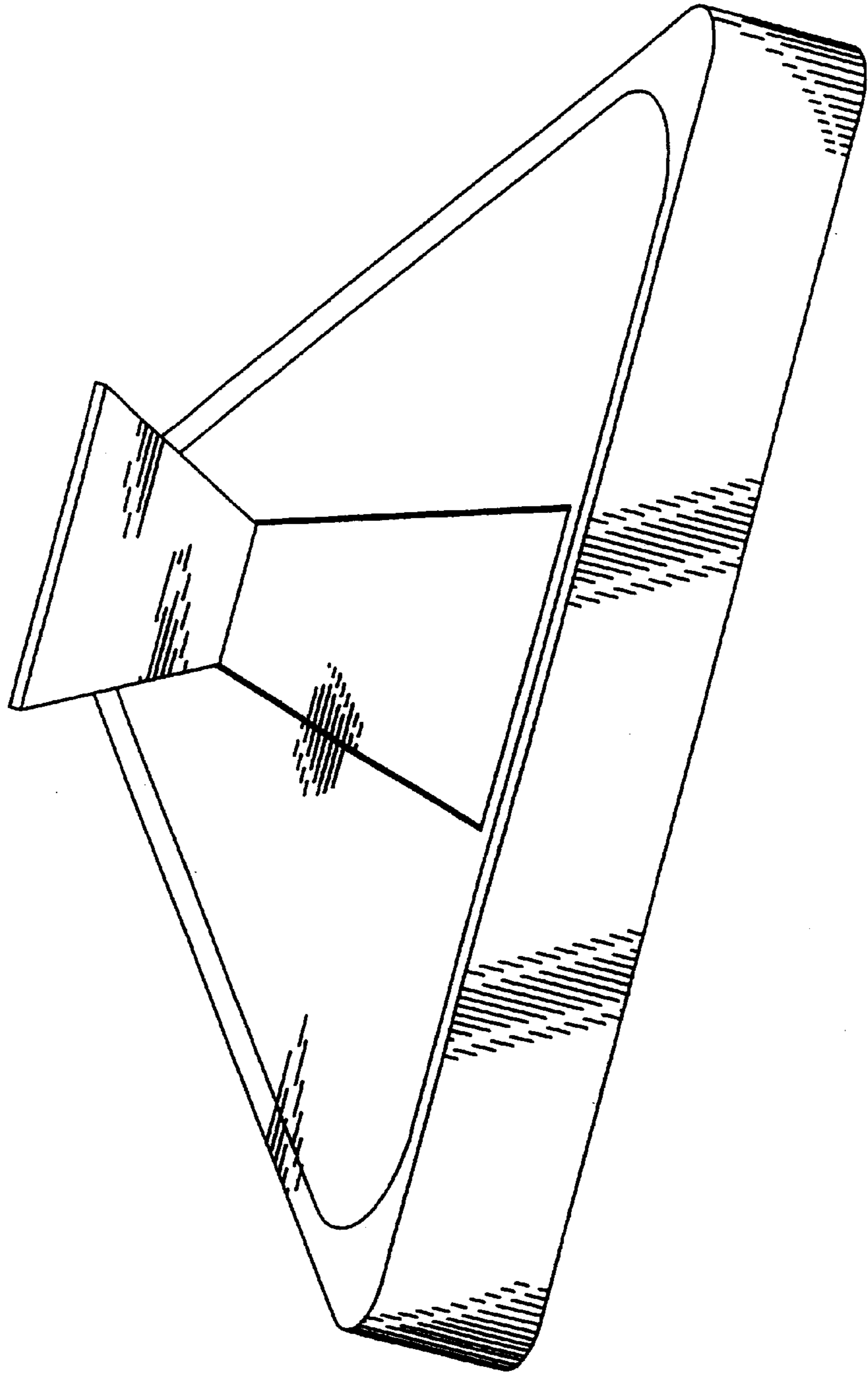


FIG-6