



US00D427433S

# United States Patent [19] Leibeck

[11] **Patent Number: Des. 427,433**  
[45] **Date of Patent: \*\* Jul. 4, 2000**

[54] **CASE**  
[75] Inventor: **Christian Leibeck**, Nürnberg, Germany  
[73] Assignee: **J. S. Staedtler GmbH & Co.**,  
Nürnberg, Germany  
[\*\*] Term: **14 Years**

D. 285,615 9/1986 Burger ..... D27/189  
D. 355,275 2/1995 Focke ..... D27/189  
D. 379,552 5/1997 Vokebe ..... D27/189  
D. 393,924 4/1998 Wright ..... D27/189  
3,391,780 7/1968 Pasquine et al. .... 206/265  
4,923,059 5/1990 Evers et al. .... 206/265

[21] Appl. No.: **29/091,053**  
[22] Filed: **Jul. 22, 1998**

*Primary Examiner*—Philip S. Hyder  
*Attorney, Agent, or Firm*—Friedrich Kueffner

[30] **Foreign Application Priority Data**

Jan. 23, 1998 [DE] Germany ..... 98 00 393

[51] **LOC (7) Cl.** ..... **03-01**  
[52] **U.S. Cl.** ..... **D3/273; D3/294; D27/189**  
[58] **Field of Search** ..... D3/273, 294, 295;  
D9/420, 422, 424; D27/189; 206/256, 265,  
267, 251, 266

[57] **CLAIM**

The ornamental design for a case, as shown and described.

**DESCRIPTION**

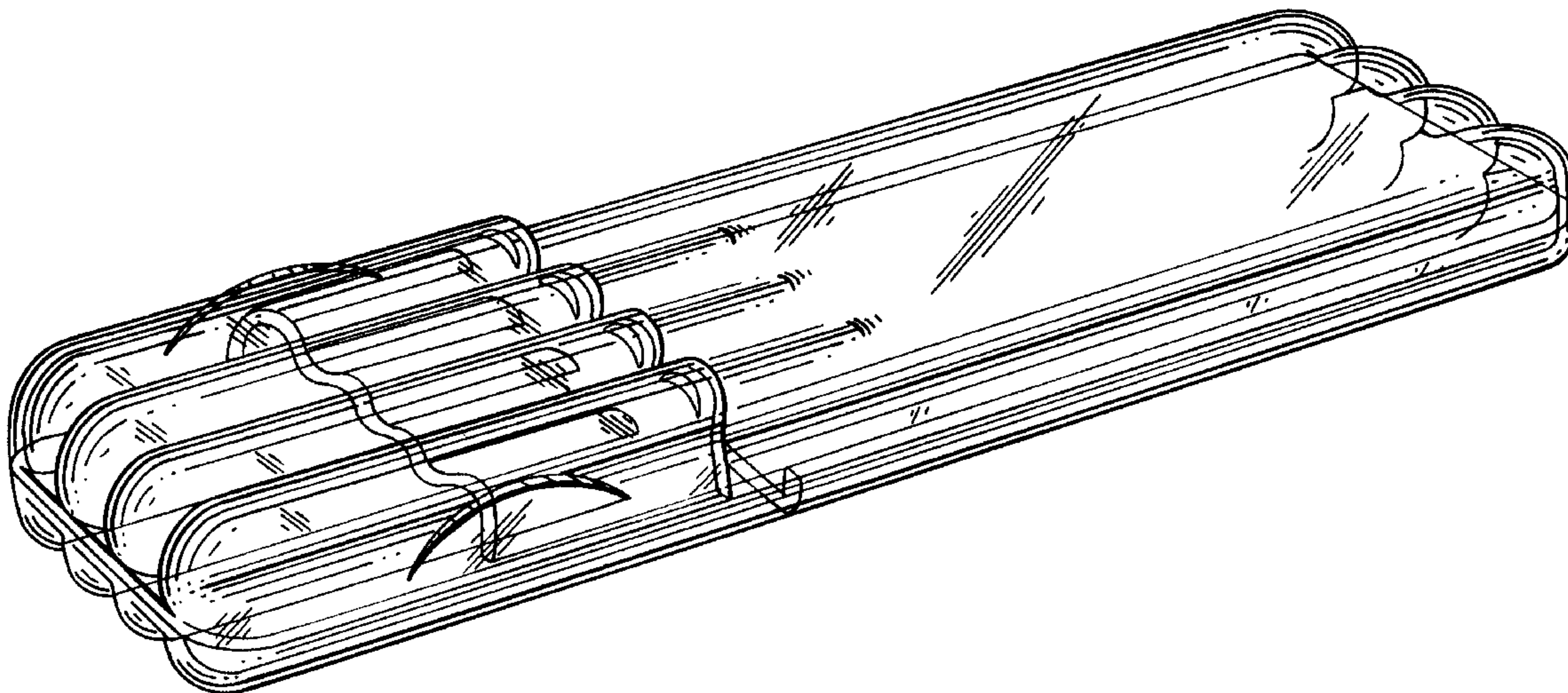
FIG. 1 is a perspective front view of a case showing my new design;  
FIG. 2 is a top view thereof;  
FIG. 3 is a side view thereof;  
FIG. 4 is a bottom view thereof;  
FIG. 5 is a another side view thereof;  
FIG. 6 is a front view thereof; and,  
FIG. 7 is a rear view thereof.

[56] **References Cited**

**U.S. PATENT DOCUMENTS**

D. 284,606 7/1986 Koontz ..... D27/189

**1 Claim, 4 Drawing Sheets**



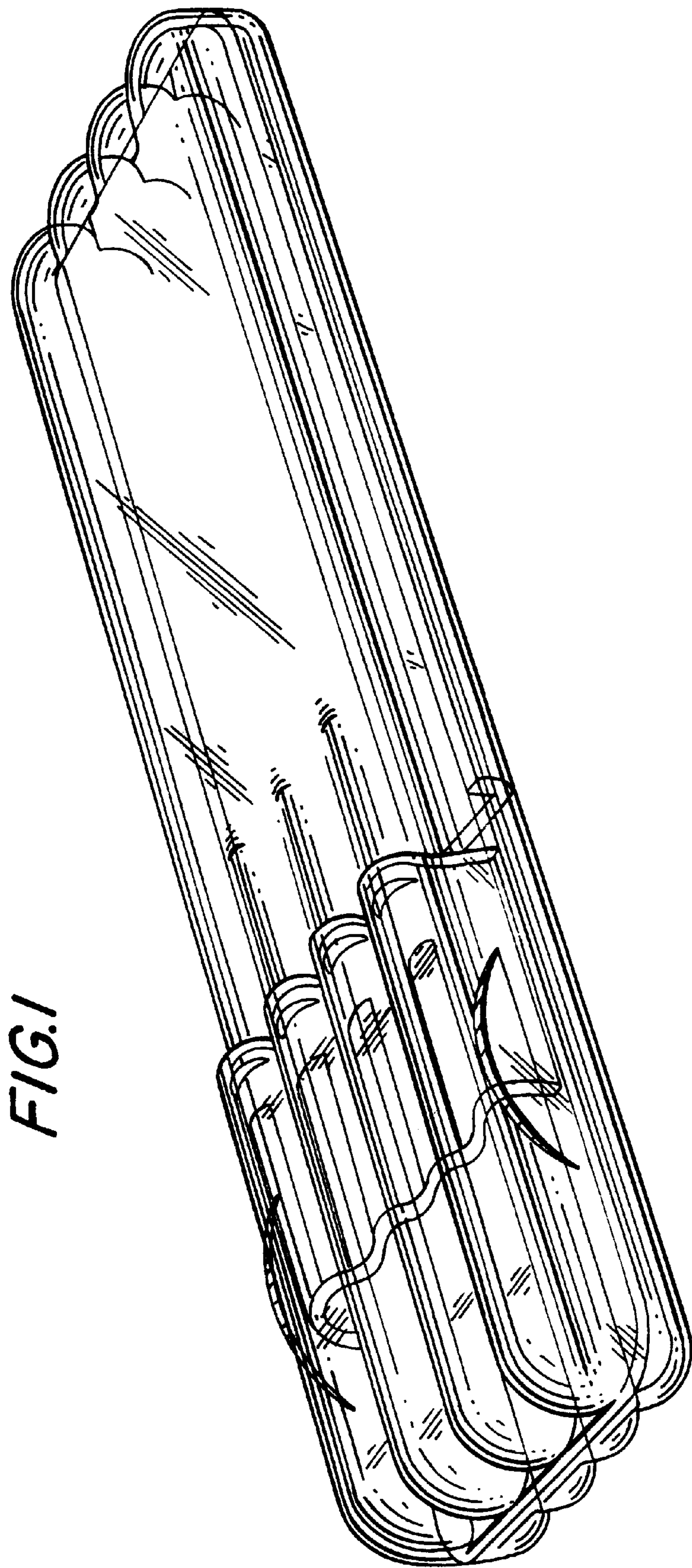


FIG. 1

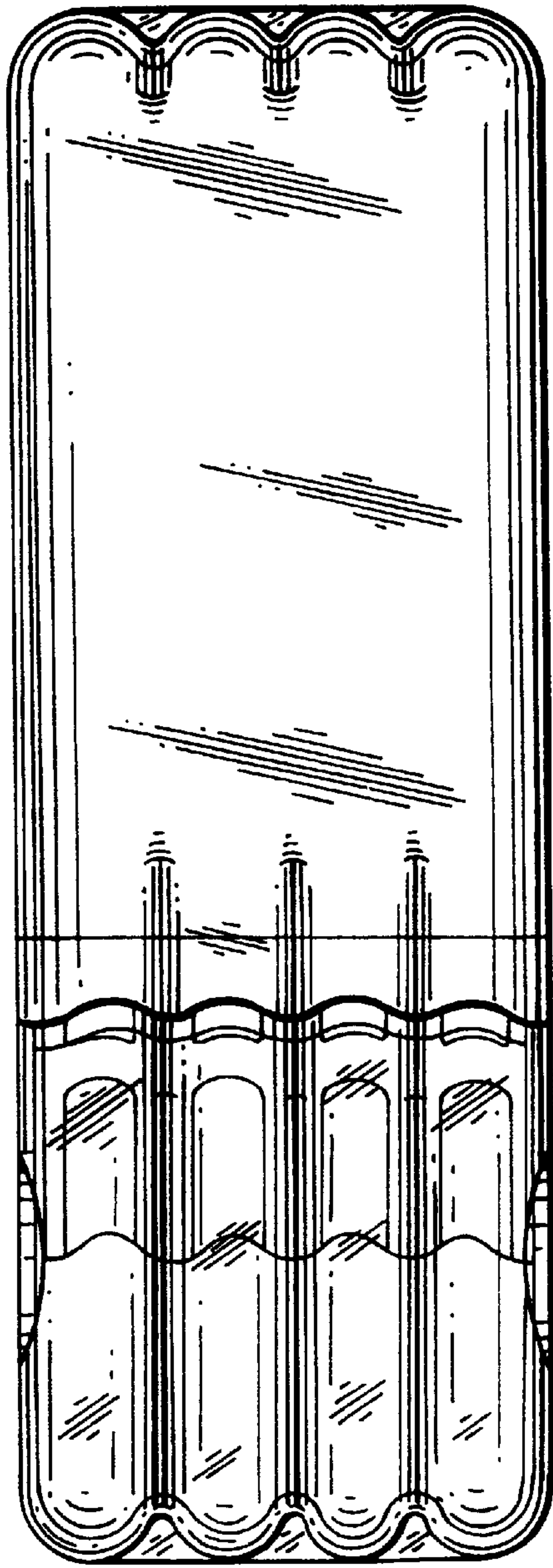


FIG. 2

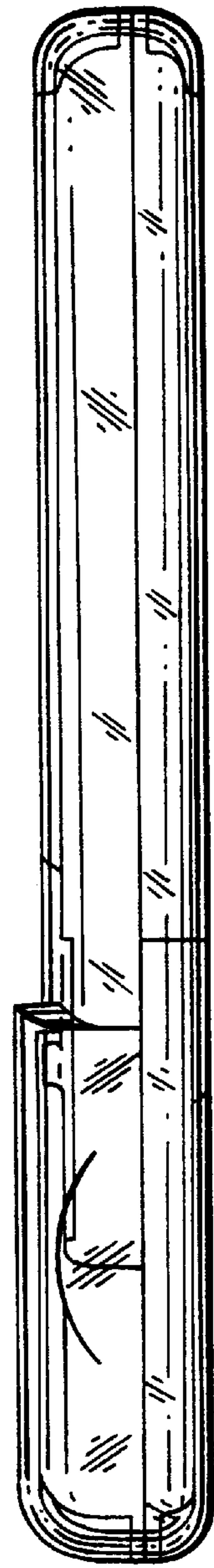
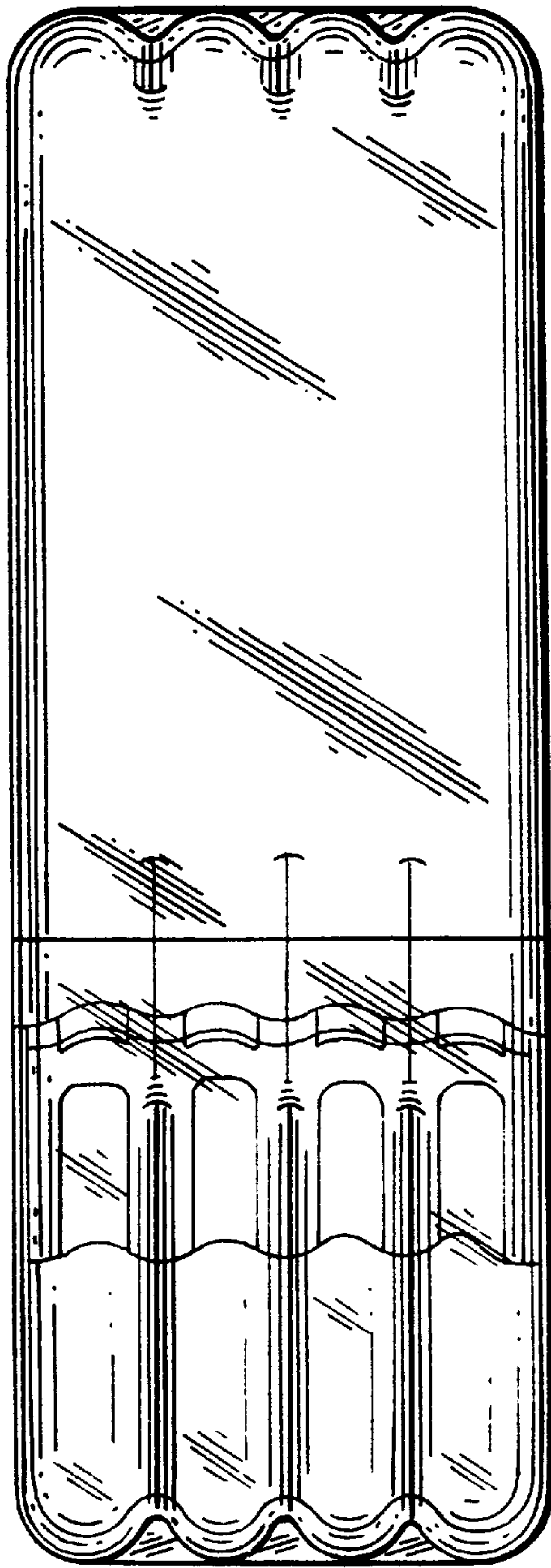
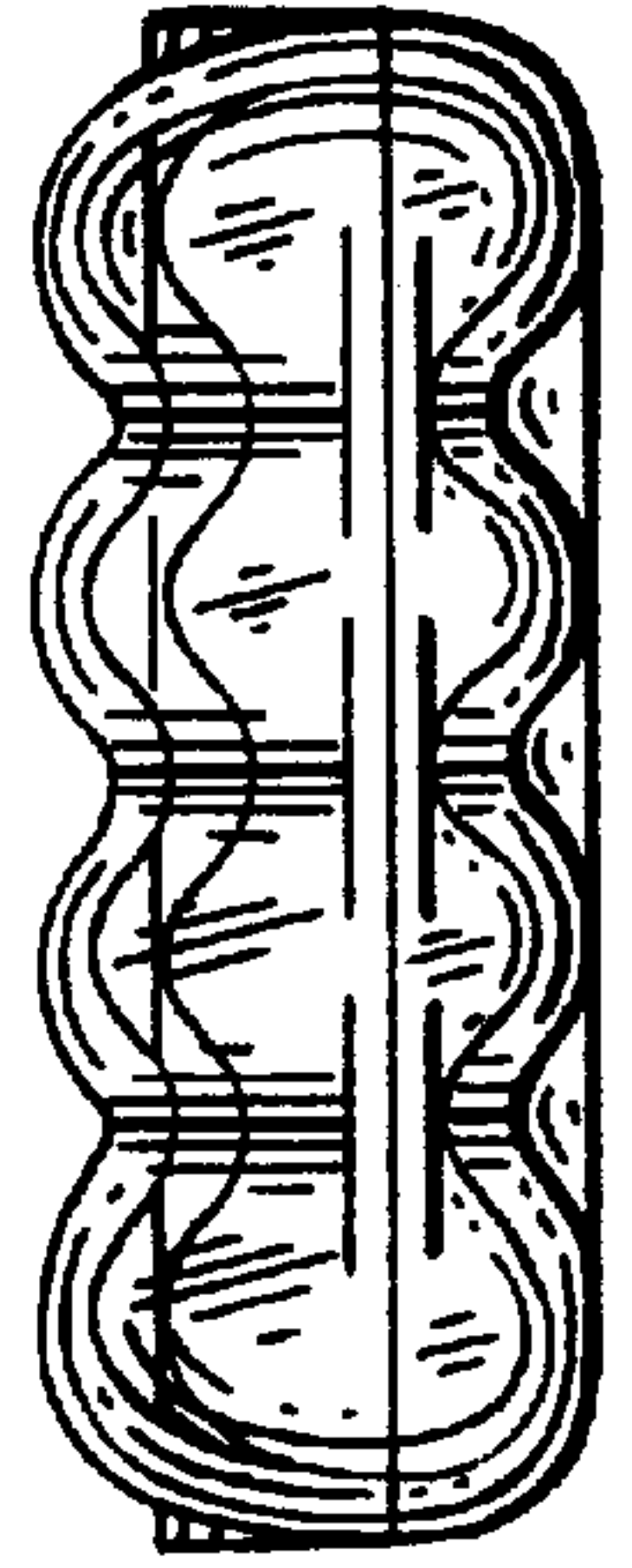


FIG. 3





*FIG. 4*



*FIG. 6*

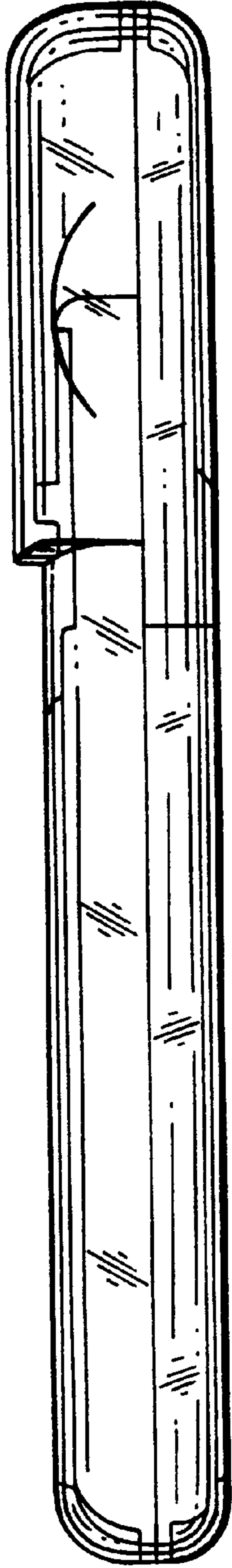


FIG. 5

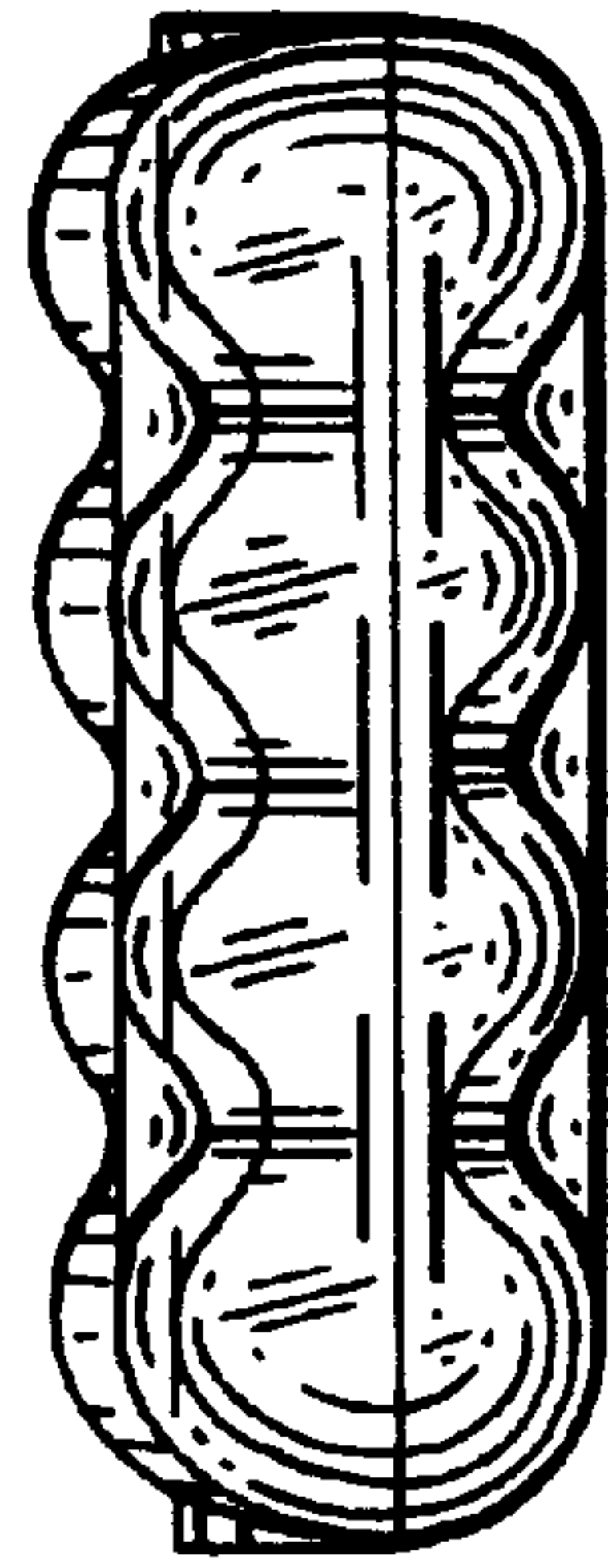


FIG. 7