



US00D427432S

United States Patent [19]

[11] **Patent Number: Des. 427,432**

Au et al.

[45] **Date of Patent: ** Jul. 4, 2000**

[54] **CONTAINER FOR EYEGLASSES AND WATCH**

[75] Inventors: **Kinsen Ka Fai Au; Juan Qiang Siao**, both of Hong Kong, The Hong Kong Special Administrative Region of the People's Republic of China

[73] Assignee: **Nationalpak Limited**, Hong Kong, The Hong Kong Special Administrative Region of the People's Republic of China

[**] Term: **14 Years**

[21] Appl. No.: **29/112,812**

[22] Filed: **Oct. 25, 1999**

[51] **LOC (7) Cl.** **03-01**

[52] **U.S. Cl.** **D3/265; D3/263**

[58] **Field of Search** D3/201, 243, 247, D3/263, 264, 265, 266, 268; 24/3.8; 150/36; 205/701; 206/5, 5.1, 6, 37, 440; 422/292

[56] **References Cited**

U.S. PATENT DOCUMENTS

D. 049,217 6/1916 King D3/265

D. 155,480 10/1949 Castelli D3/265
D. 246,140 10/1977 Johnson D3/282
D. 379,263 5/1997 Sussman D3/264
D. 397,551 9/1998 Shefler D3/265
2,301,182 11/1942 Kaser 206/6
2,308,112 1/1943 Schutz 206/6

Primary Examiner—Celia Murphy
Attorney, Agent, or Firm—Raymond Y. Chan; David and Raymond

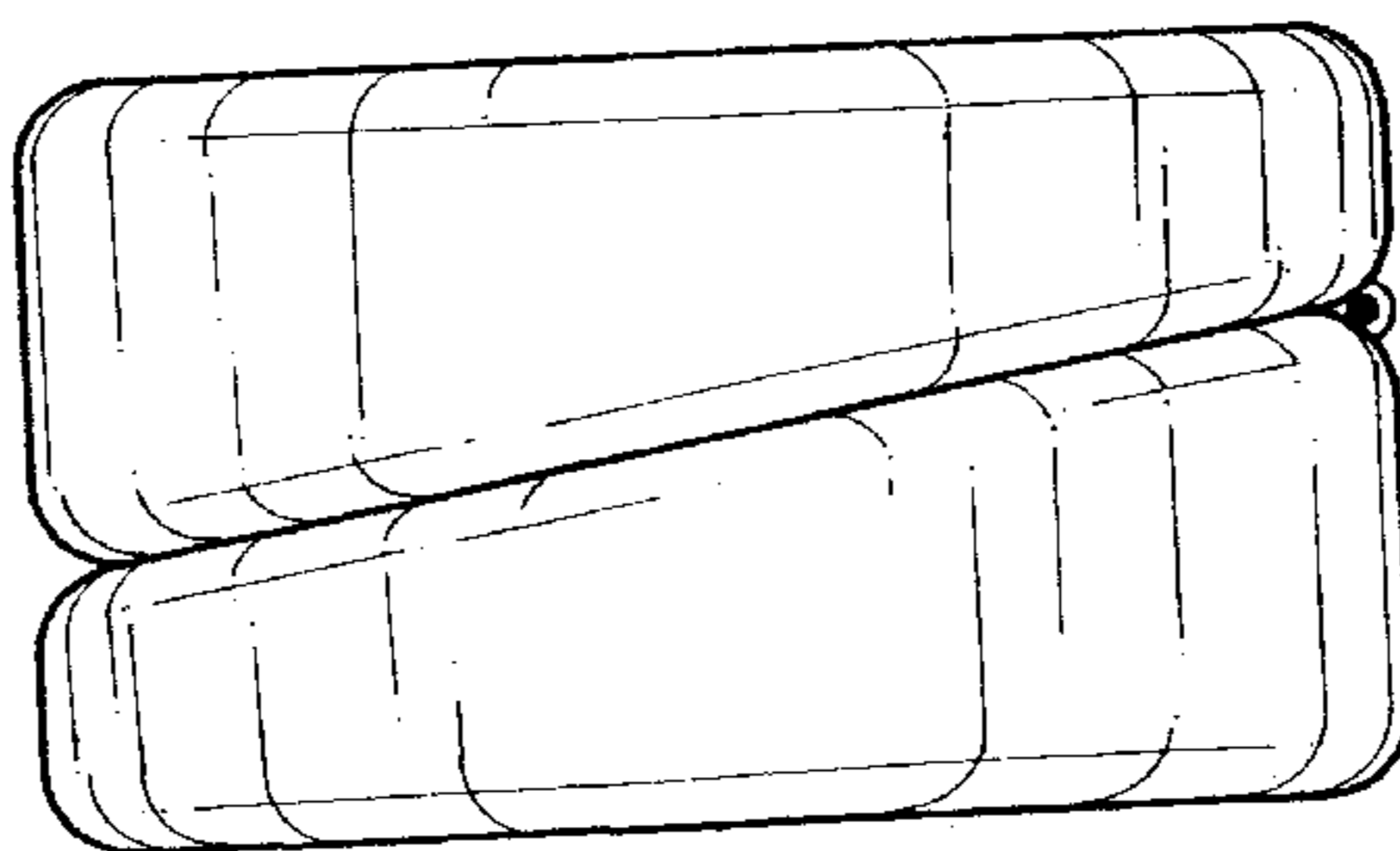
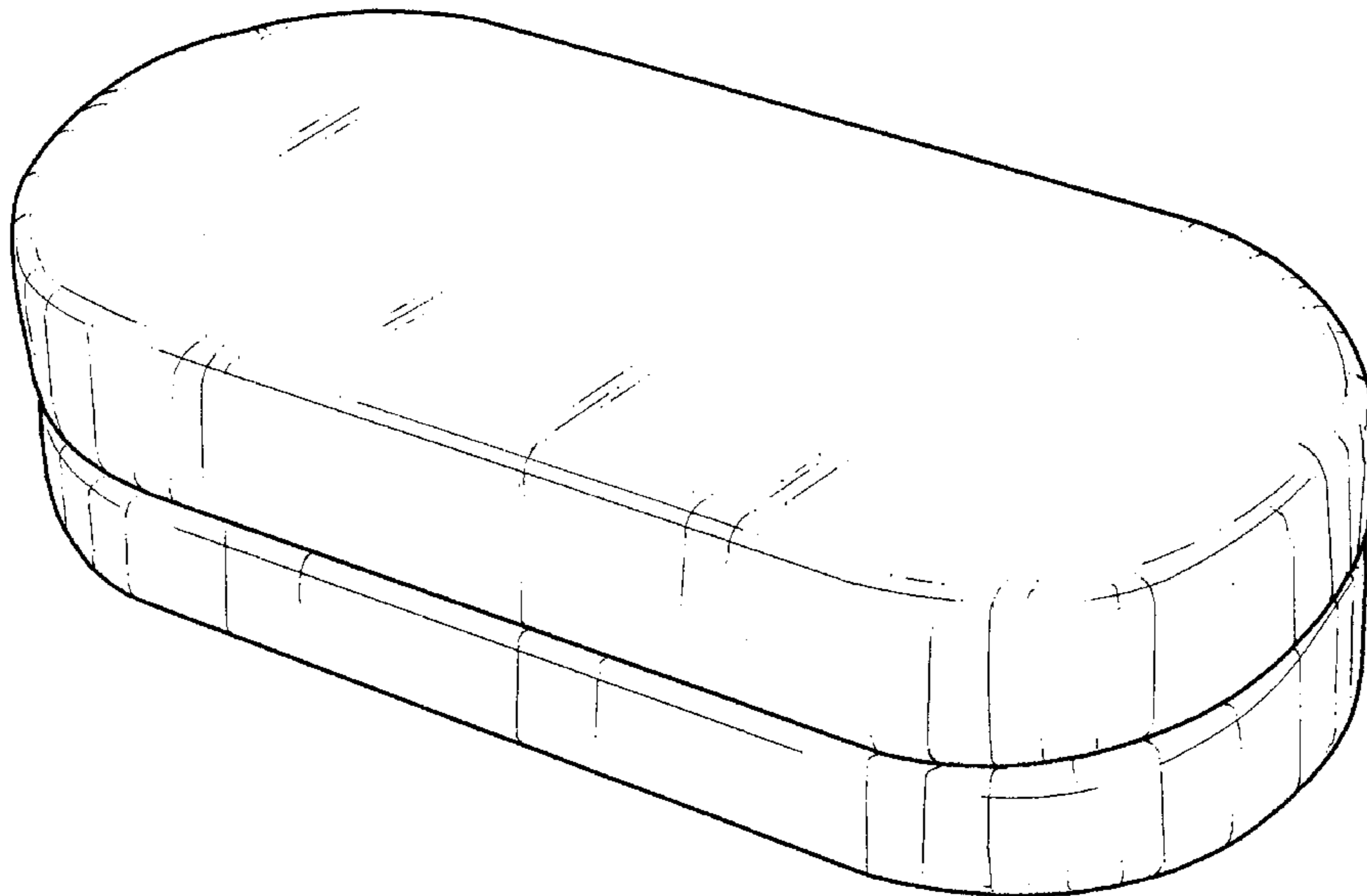
[57] **CLAIM**

The ornamental design for a container for eyeglasses and watch, as shown.

DESCRIPTION

FIG. 1 is a perspective view showing our new design; FIG. 2 is a front view thereof; FIG. 3 is a right end view thereof; FIG. 4 is a left end view thereof; FIG. 5 is a top view thereof; FIG. 6 is a bottom view thereof; FIG. 7 is a rear view thereof; and, FIG. 8 is another perspective view thereof in opened condition.

1 Claim, 8 Drawing Sheets



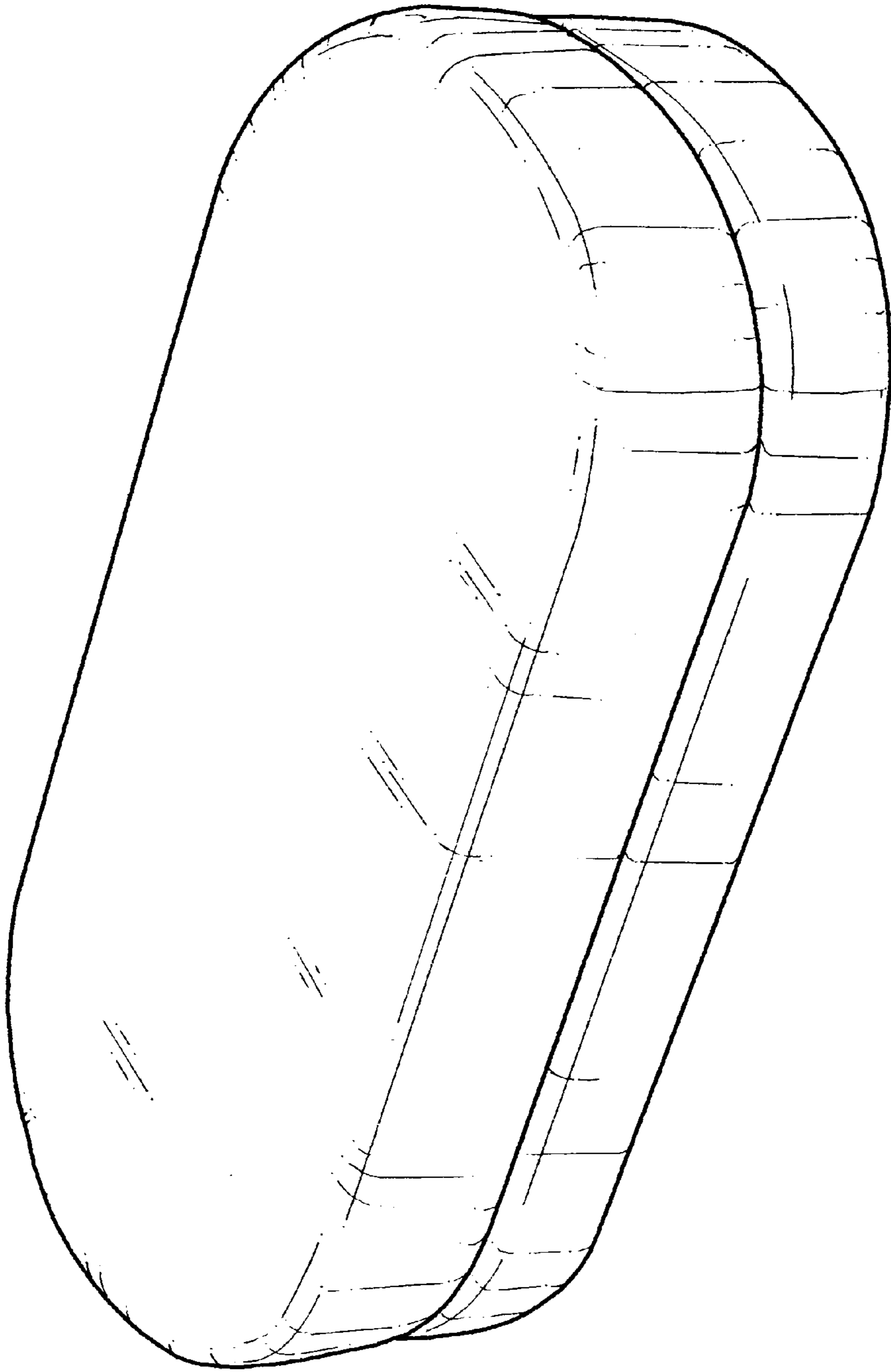


FIG. 1

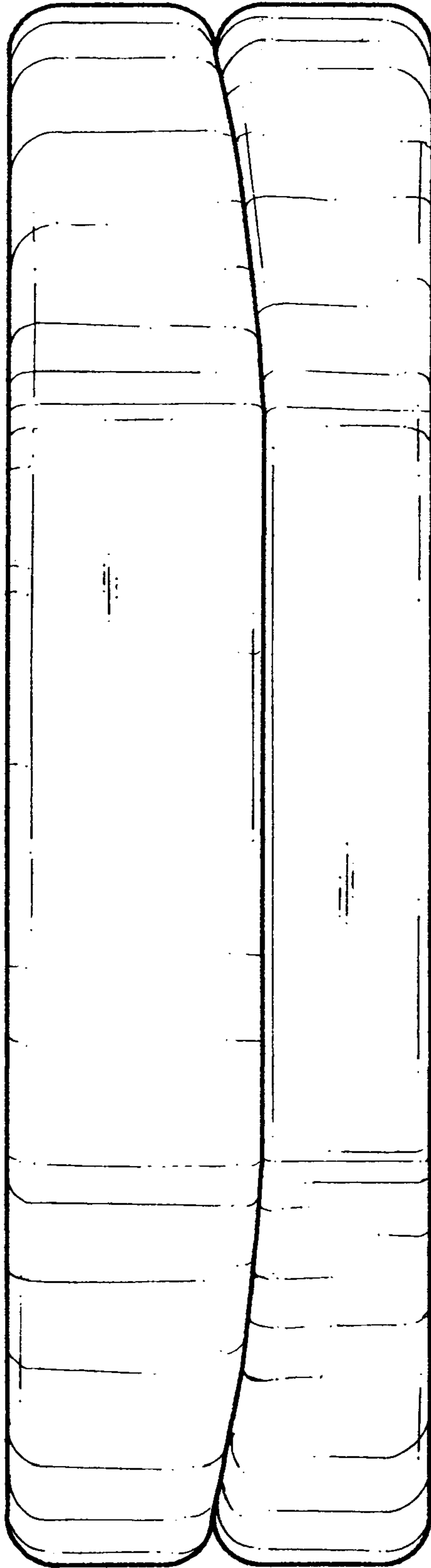


FIG 2

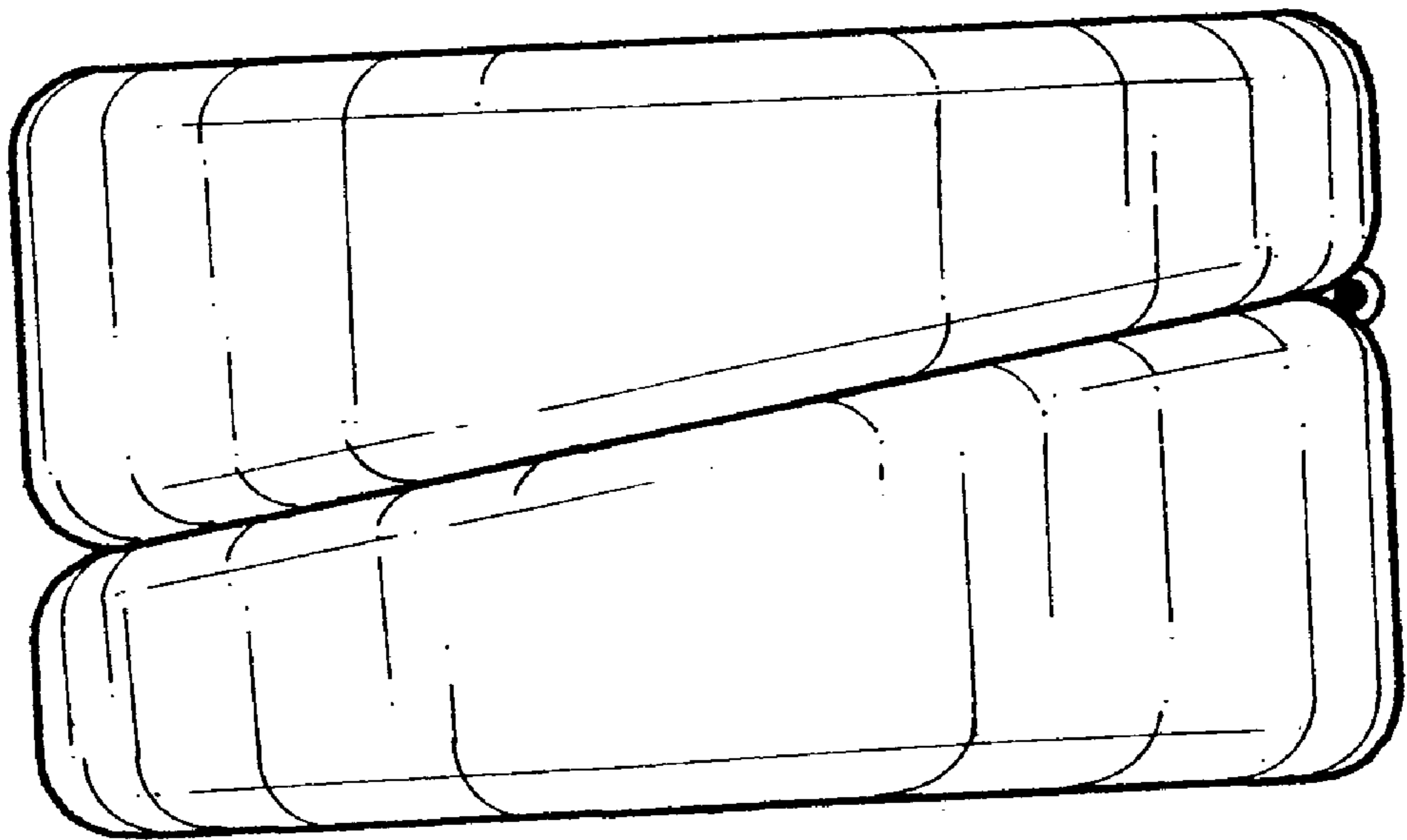


FIG 3

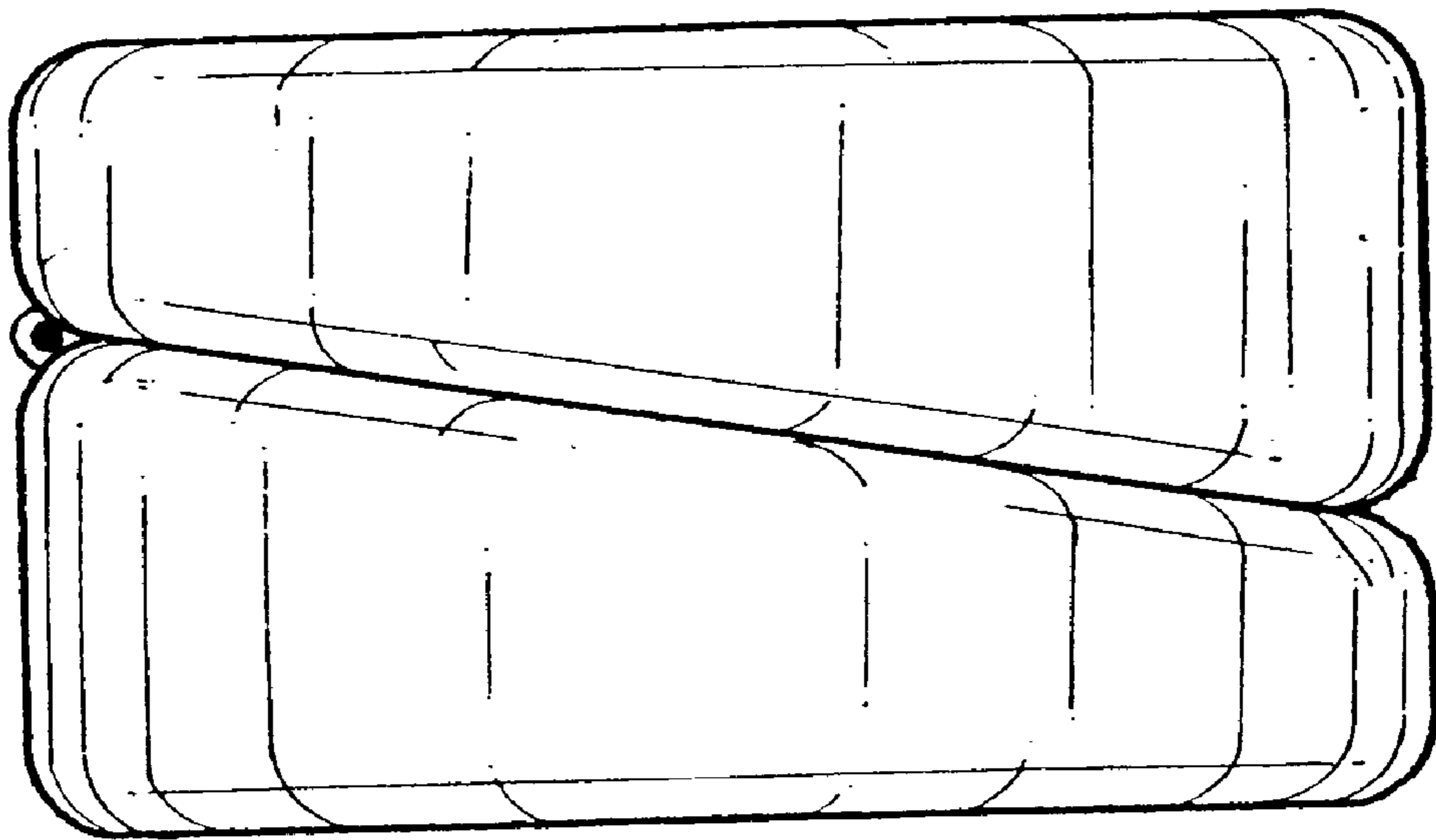


FIG 4

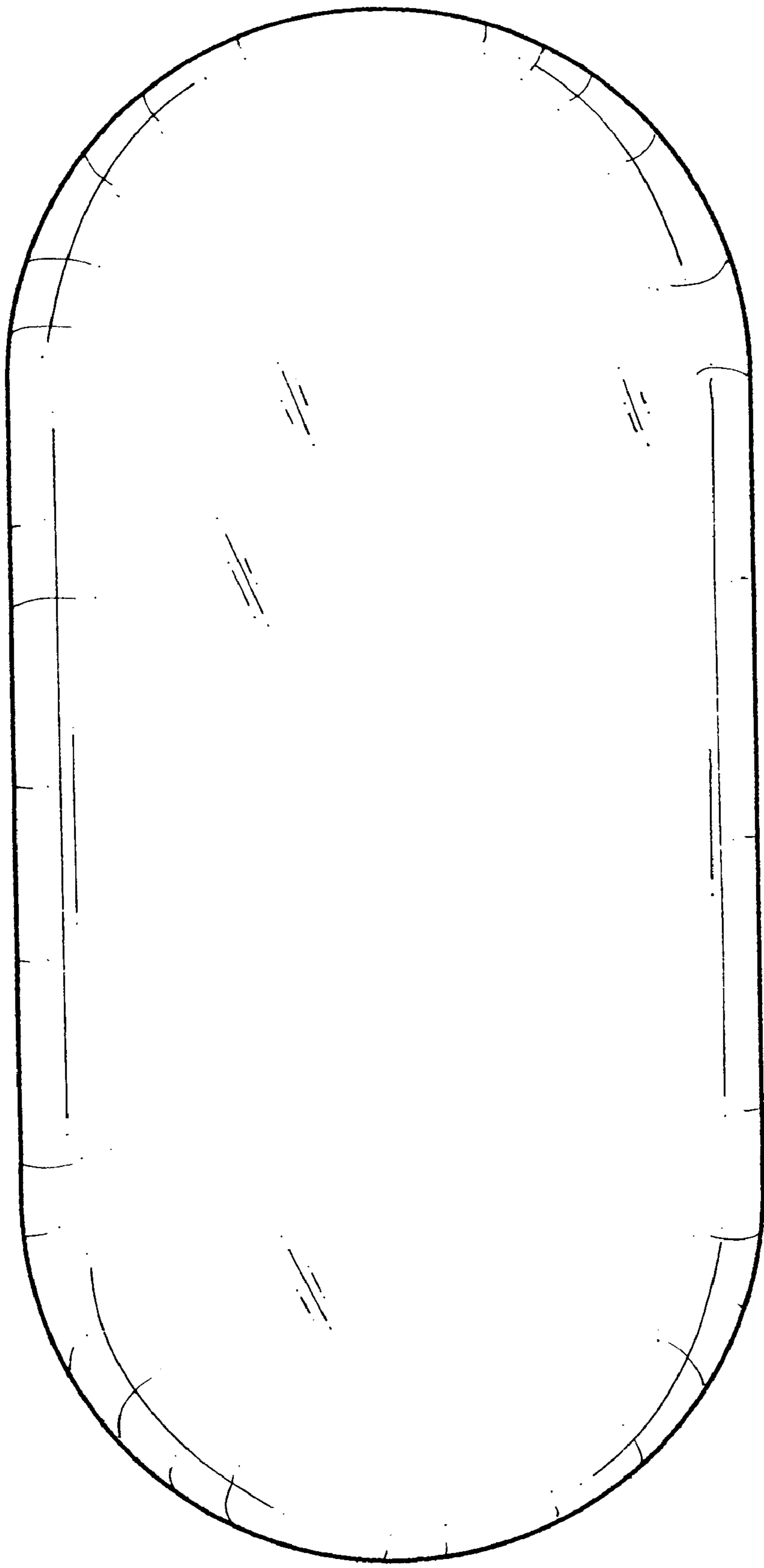


FIG 5

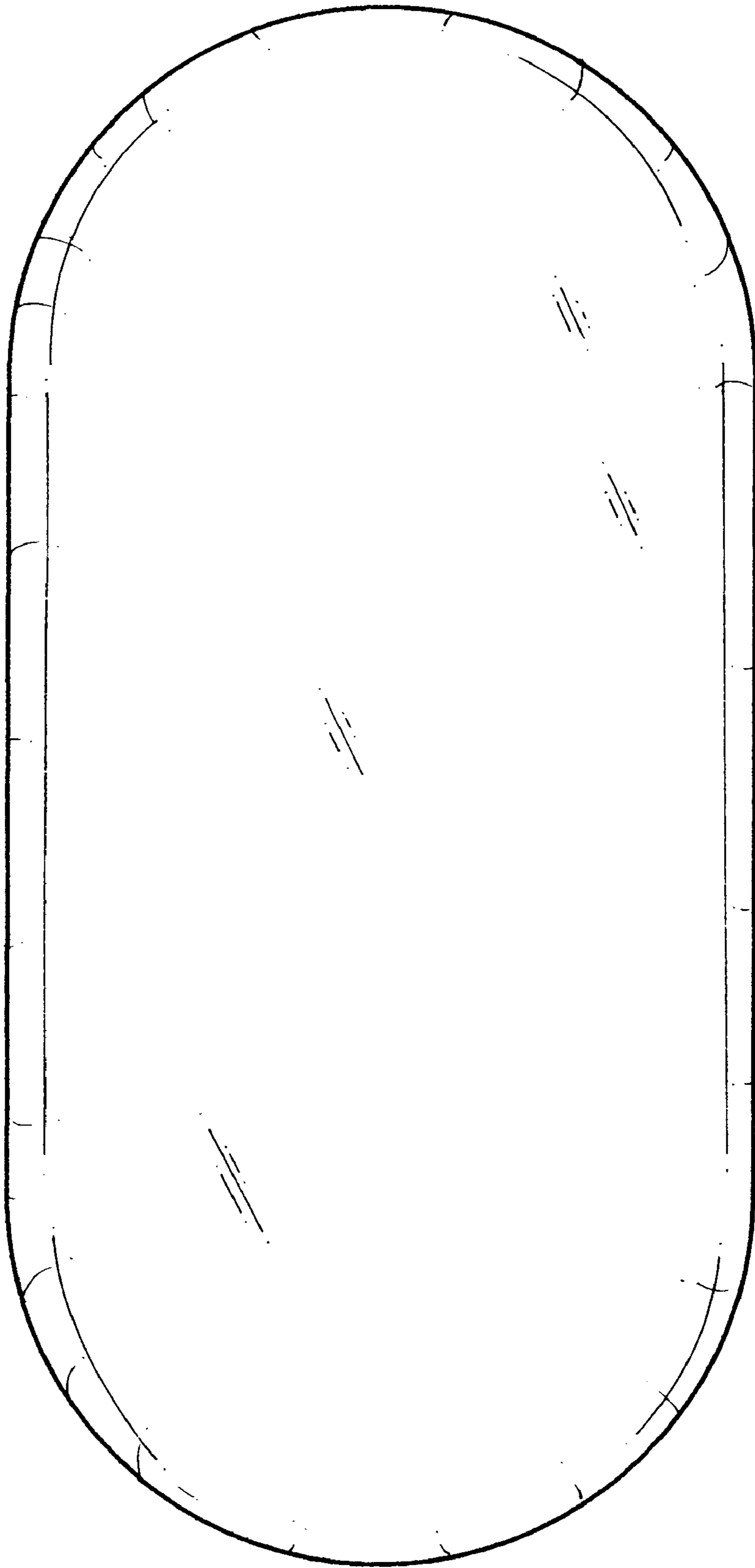


FIG 6

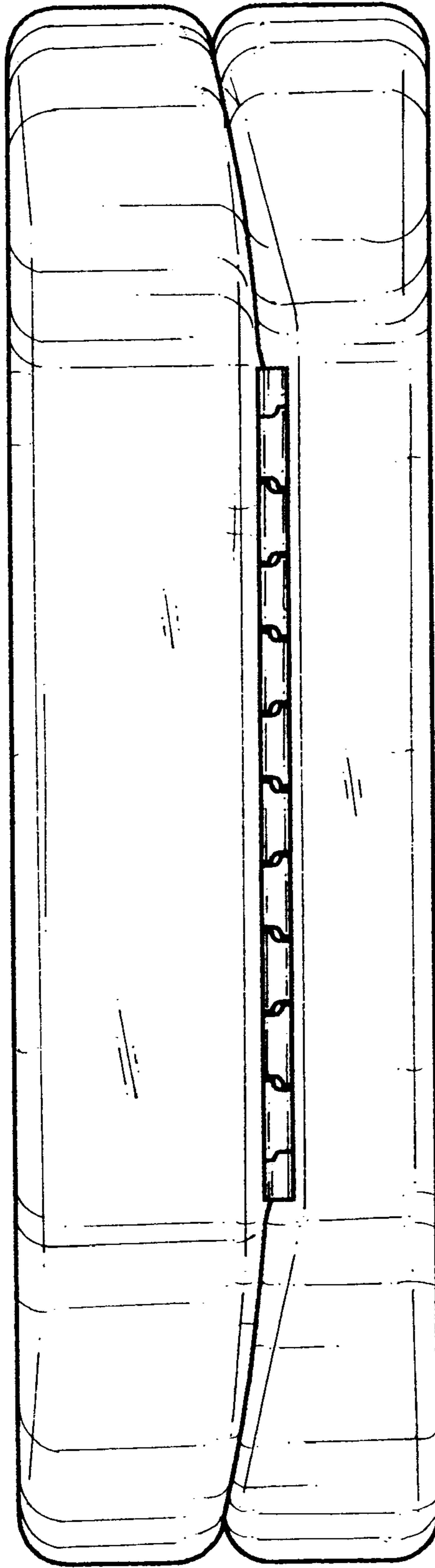


FIG 7

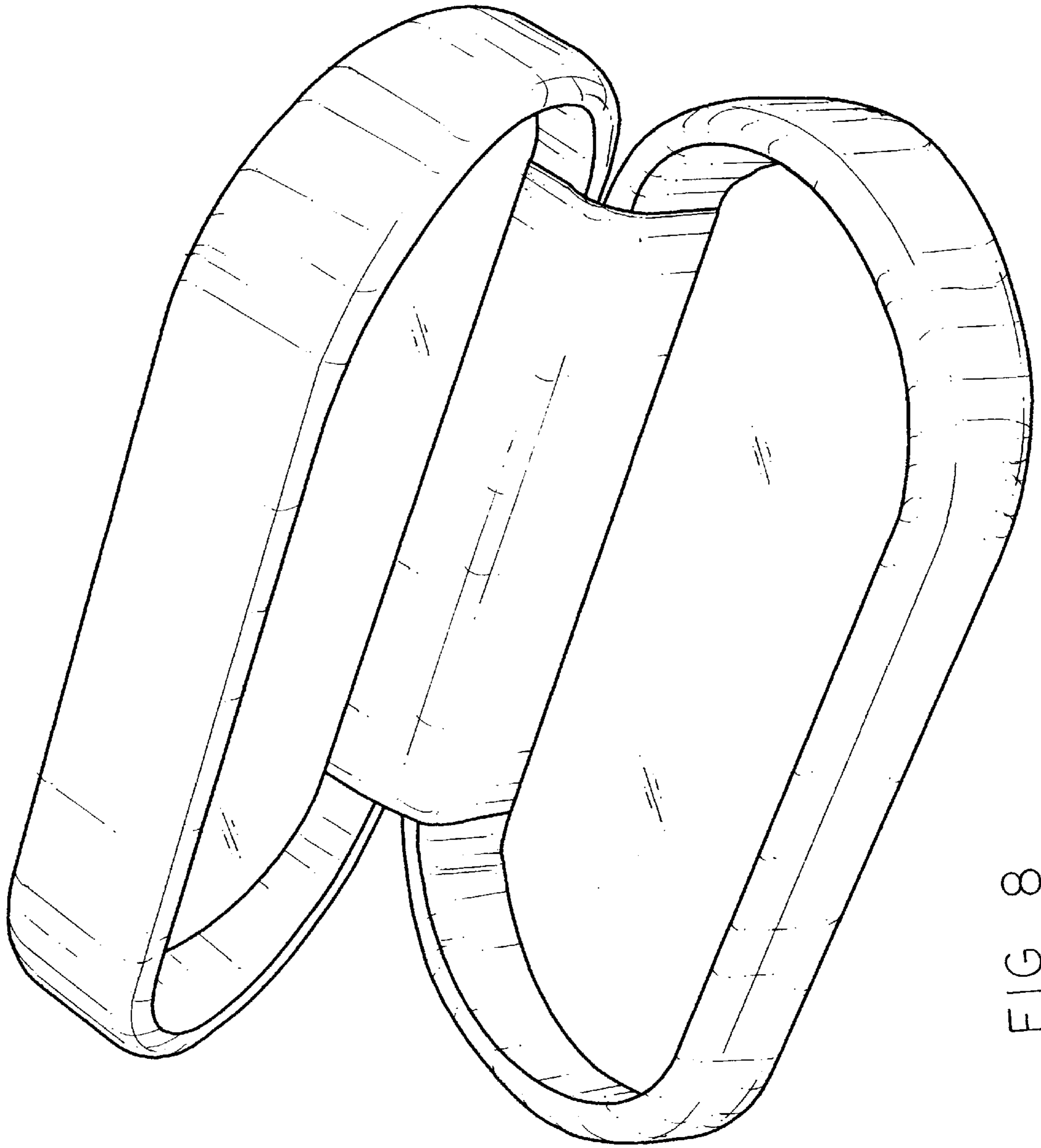


FIG 8