



US00D427429S

United States Patent [19] Rains

[11] **Patent Number: Des. 427,429**
[45] **Date of Patent: ** Jul. 4, 2000**

[54] **CELL PHONE SHAPED CONTAINER**

[76] Inventor: **Michael Rains**, 2962 Mindanao Dr.,
Costa Mesa, Calif. 92626

[**] Term: **14 Years**

[21] Appl. No.: **29/112,522**

[22] Filed: **Oct. 15, 1999**

[51] **LOC (7) Cl. 03-01**

[52] **U.S. Cl. D3/215; D3/218**

[58] **Field of Search D3/215, 219, 218,
D3/225, 230; 224/901, 904, 240, 245, 679;
D14/136, 137, 138, 188, 250, 251**

[56] **References Cited**

U.S. PATENT DOCUMENTS

D. 351,169	10/1994	Leung	D14/188
D. 394,347	5/1998	Girvetz	D3/215
D. 395,885	7/1998	Hough et al.	D14/188
D. 399,649	10/1998	Girvetz	D3/215
D. 406,834	3/1999	Metzcus et al.	D14/138
D. 409,374	3/1999	Laba et al.	D3/215
D. 415,151	10/1999	Kim	D14/138

1,820,582	8/1931	Strayer .	
4,973,285	11/1990	Diotte 446/142
5,429,301	7/1995	Franks 239/1
5,524,749	6/1996	Thompson et al. 206/38
5,584,424	12/1996	Stava 224/240
5,779,122	7/1998	Martinelli 224/683

Primary Examiner—Louis S. Zarfes
Assistant Examiner—Catherine R. Oliver
Attorney, Agent, or Firm—Eric Karich

[57] **CLAIM**

The ornamental design for a cell phone shaped container, as shown and described.

DESCRIPTION

FIG. 1 is a perspective view of a cell phone shaped container, showing my new design;
FIG. 2 is a front elevational view thereof;
FIG. 3 is a top plan view thereof;
FIG. 4 is a left side elevational view thereof;
FIG. 5 is a right side elevational view thereof
FIG. 6 is a bottom plan view thereof; and,
FIG. 7 is a rear elevational view thereof.

1 Claim, 3 Drawing Sheets

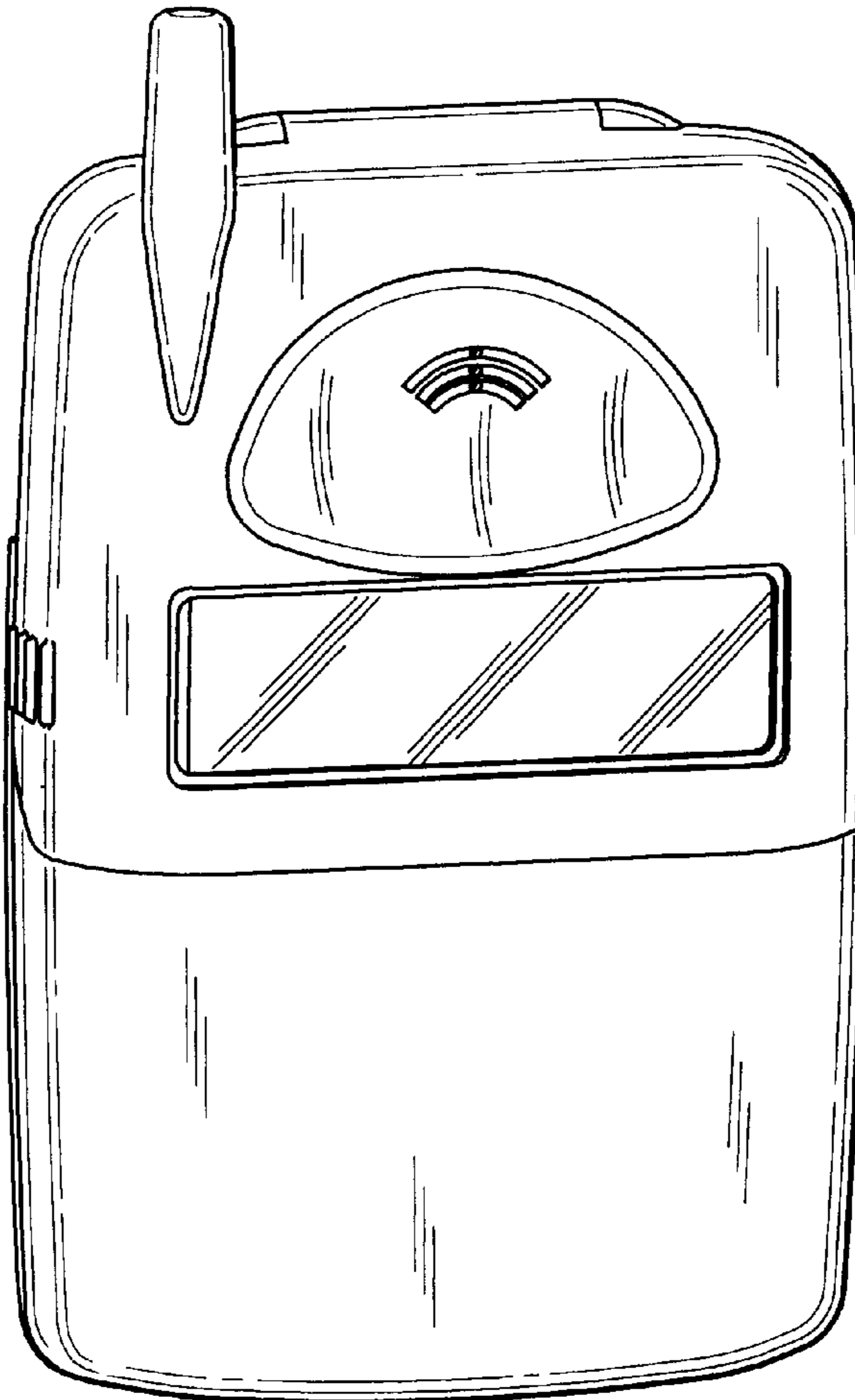


Fig. 2

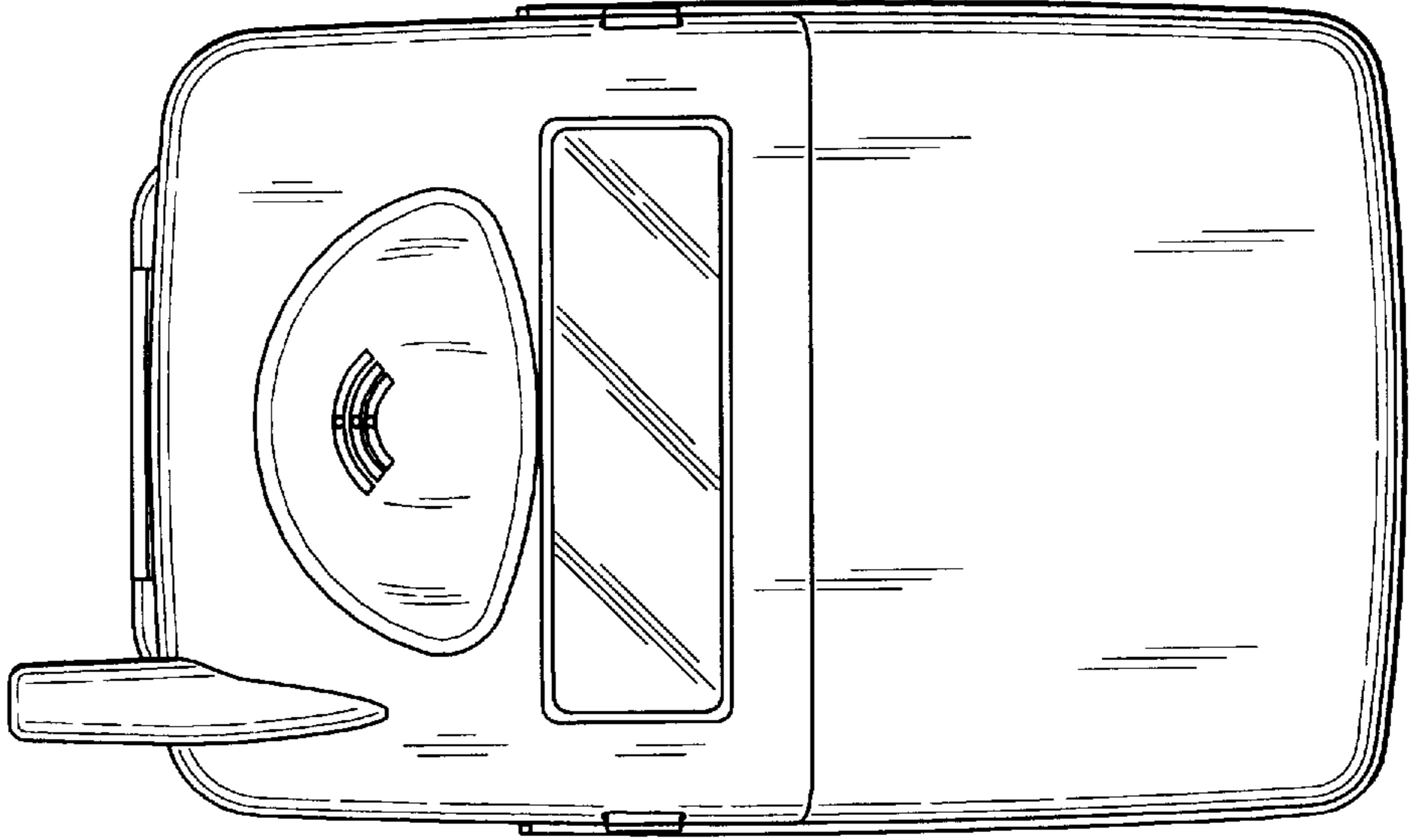


Fig. 1

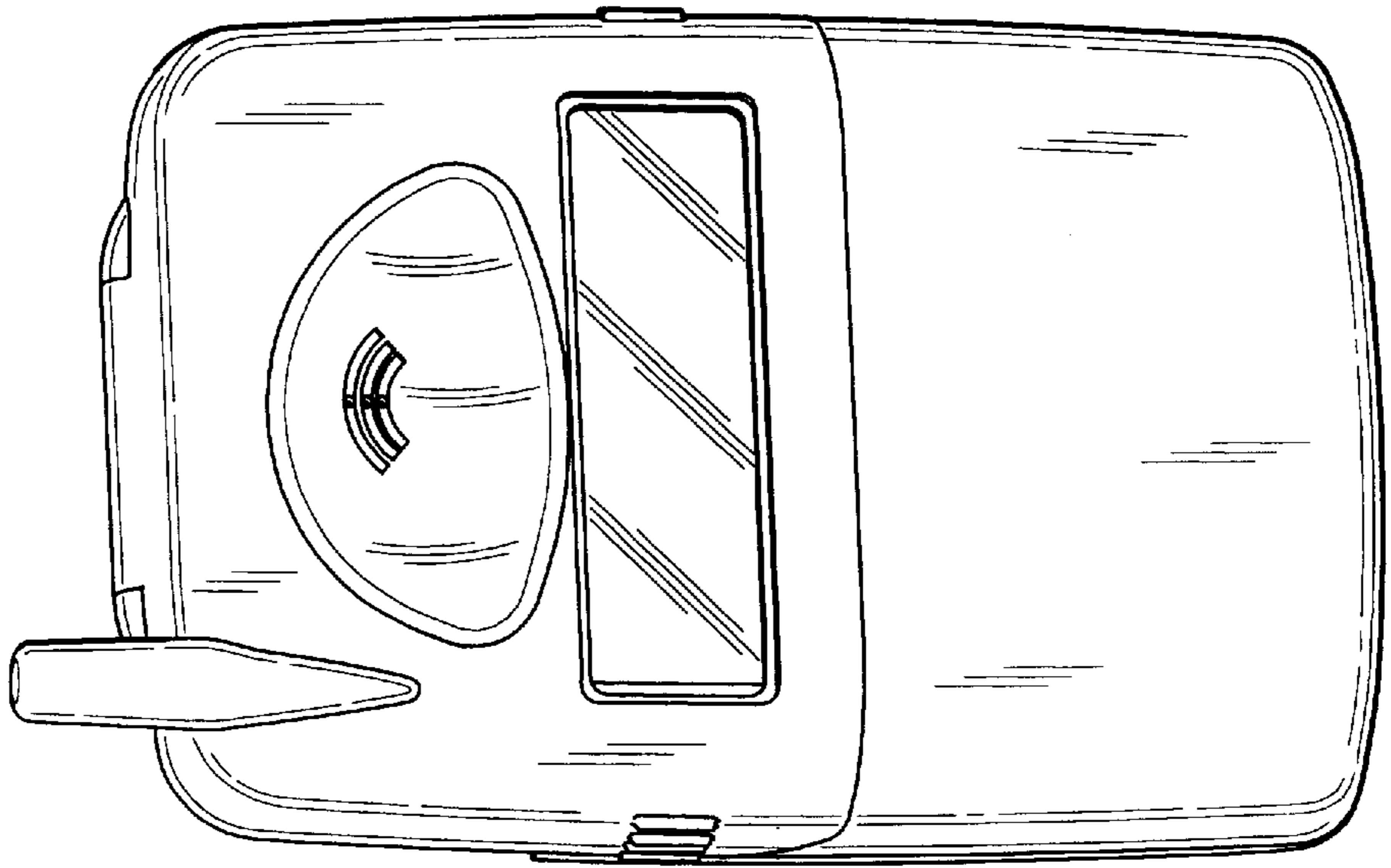


Fig. 5

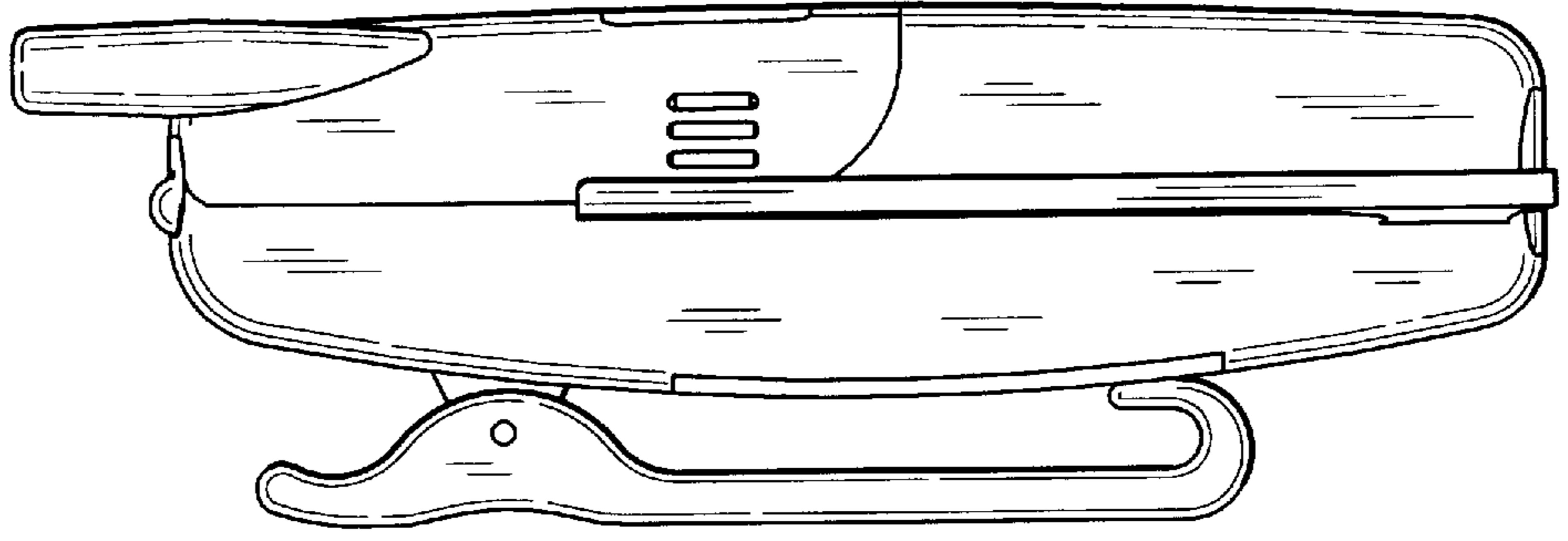


Fig. 4

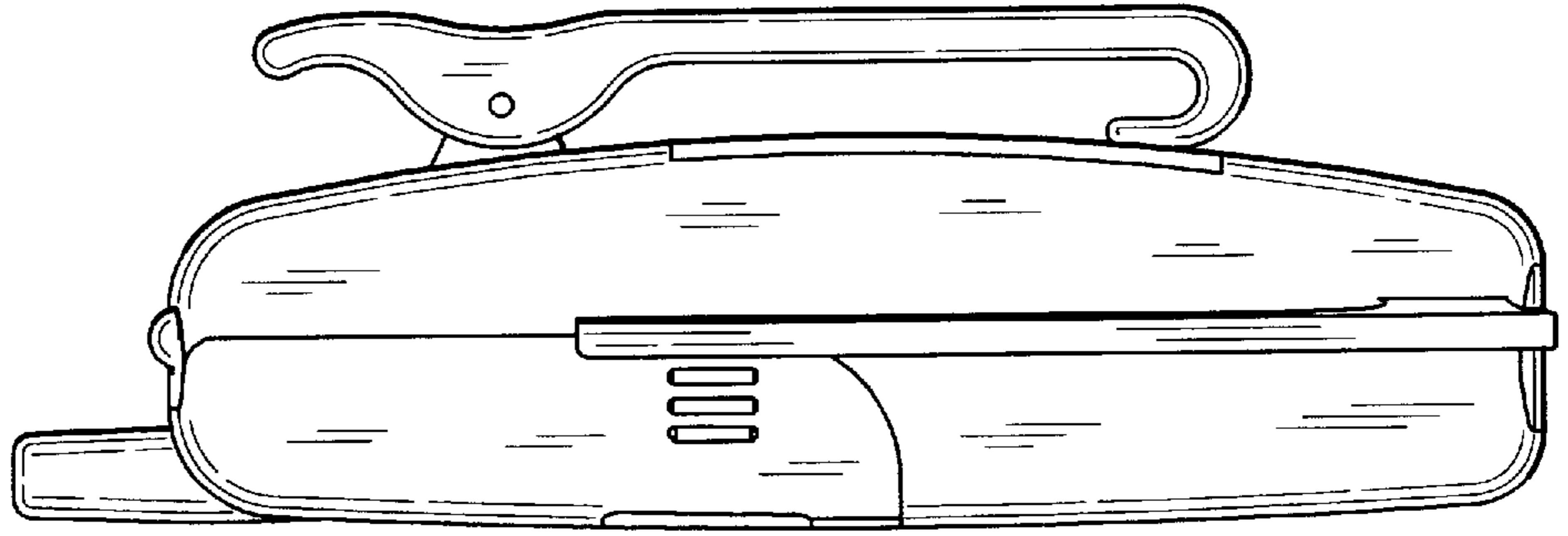


Fig. 3

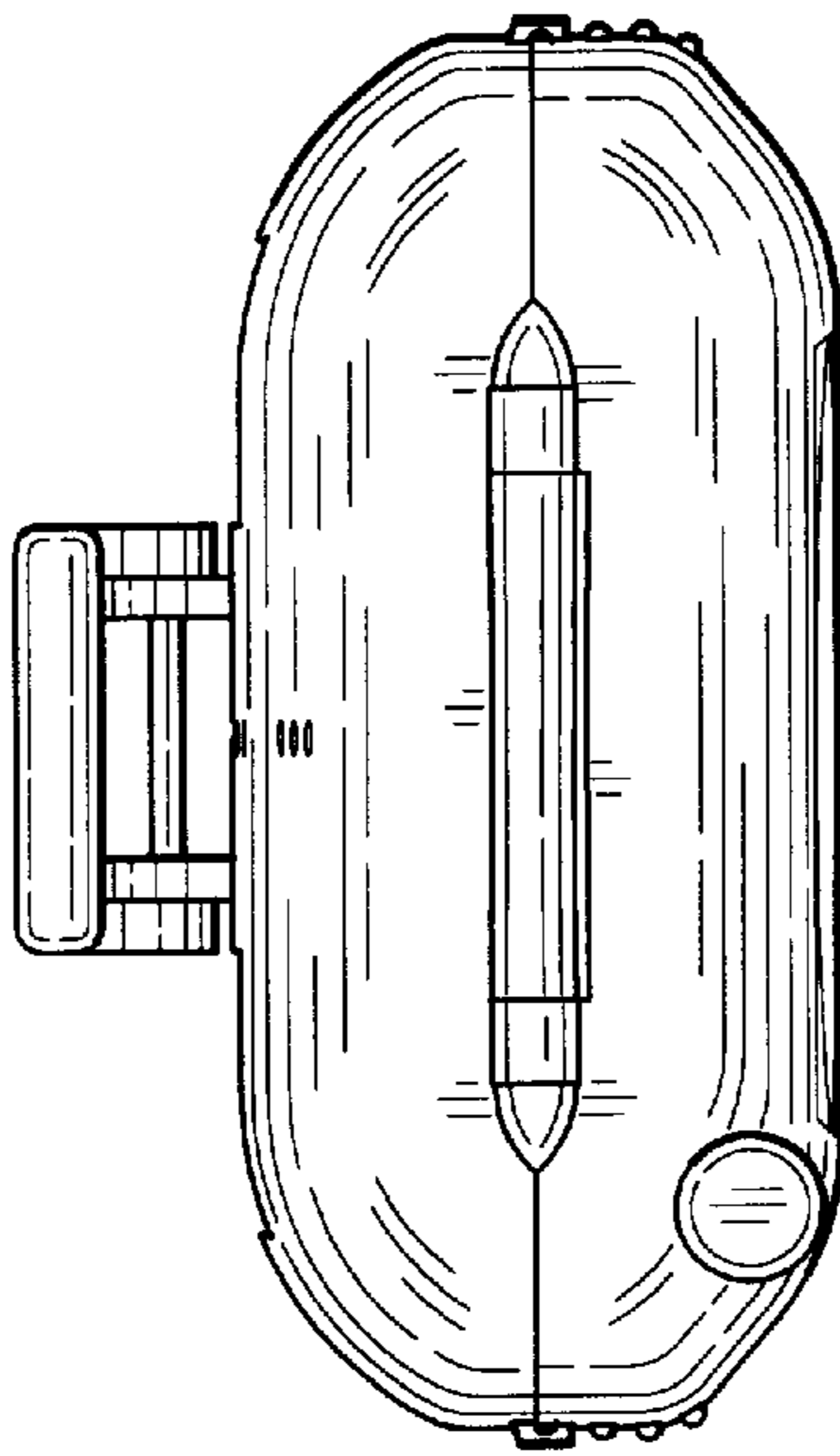


Fig. 7

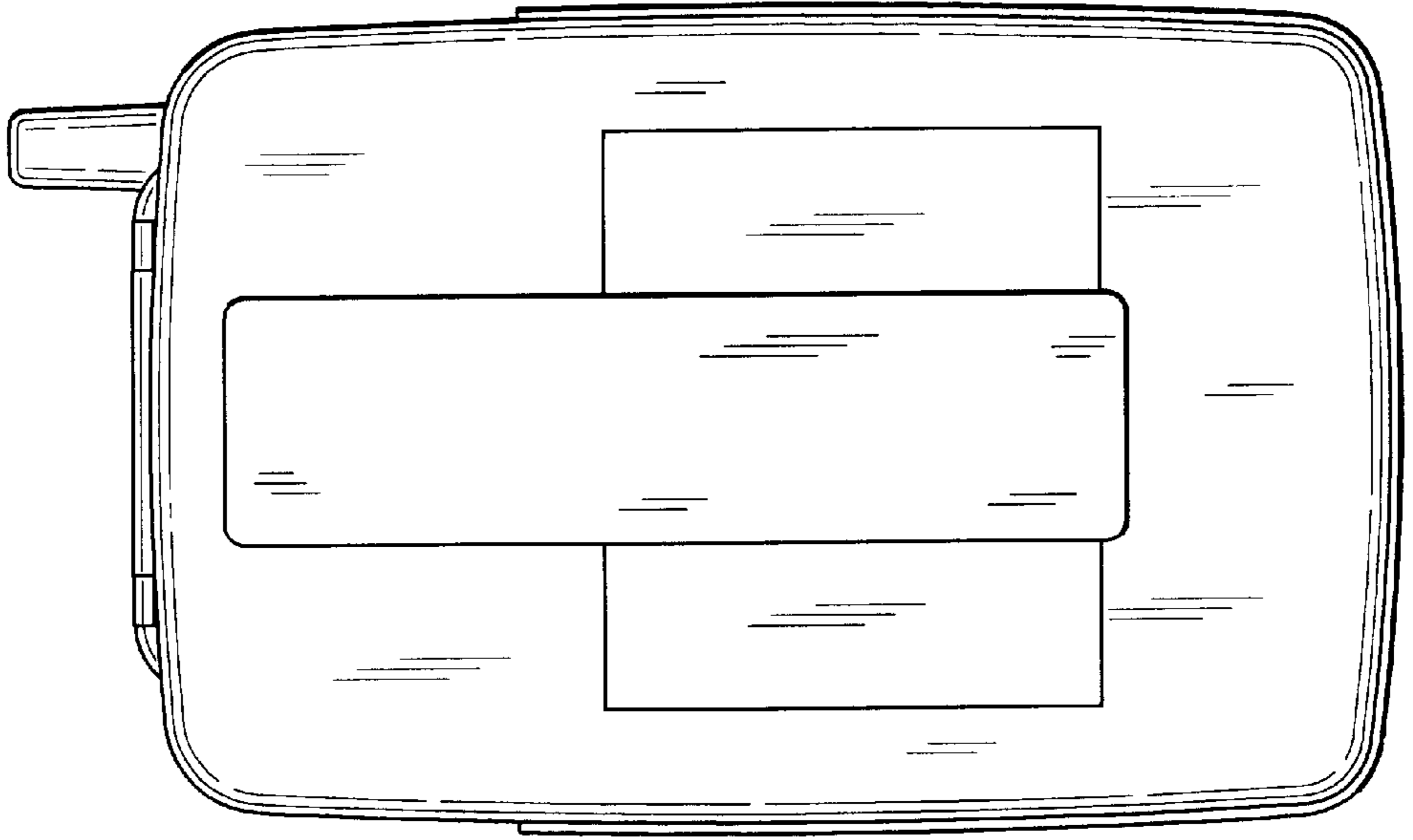


Fig. 6

