



US00D427419S

# United States Patent [19] Tenold

[11] **Patent Number: Des. 427,419**  
[45] **Date of Patent: \*\* Jul. 4, 2000**

[54] **FOOT WARMER**

1,686,588 10/1928 Wendemuth ..... 36/7.1 R  
1,746,459 2/1930 Brady ..... 36/7.1 R

[76] Inventor: **Magnar Tenold**, 7206 Stewart Dr.,  
Eden Prairie, Minn. 55346

*Primary Examiner*—Louis S. Zarfes  
*Assistant Examiner*—G. Andoll  
*Attorney, Agent, or Firm*—Olson & Hierl, Ltd.

[\*\*] Term: **14 Years**

[21] Appl. No.: **29/105,030**

### [57] CLAIM

[22] Filed: **May 17, 1999**

The ornamental design for a foot warmer, as shown and described.

[51] **LOC (7) Cl.** ..... **07-04**

[52] **U.S. Cl.** ..... **D2/910**

[58] **Field of Search** ..... D2/909–912, 969–970,  
D2/947–962, 919, 920, 901, 902, 897, 896,  
980, 983, 984, 989, 993; 36/1–5, 2 R, 83,  
86, 102, 7.1 R, 7.3, 9 R, 9 A, 58.5, 114,  
50.1, 67 A, 3 A, 7.2, 110, 7.4, 45, 134,  
127, 4, 25 R

### DESCRIPTION

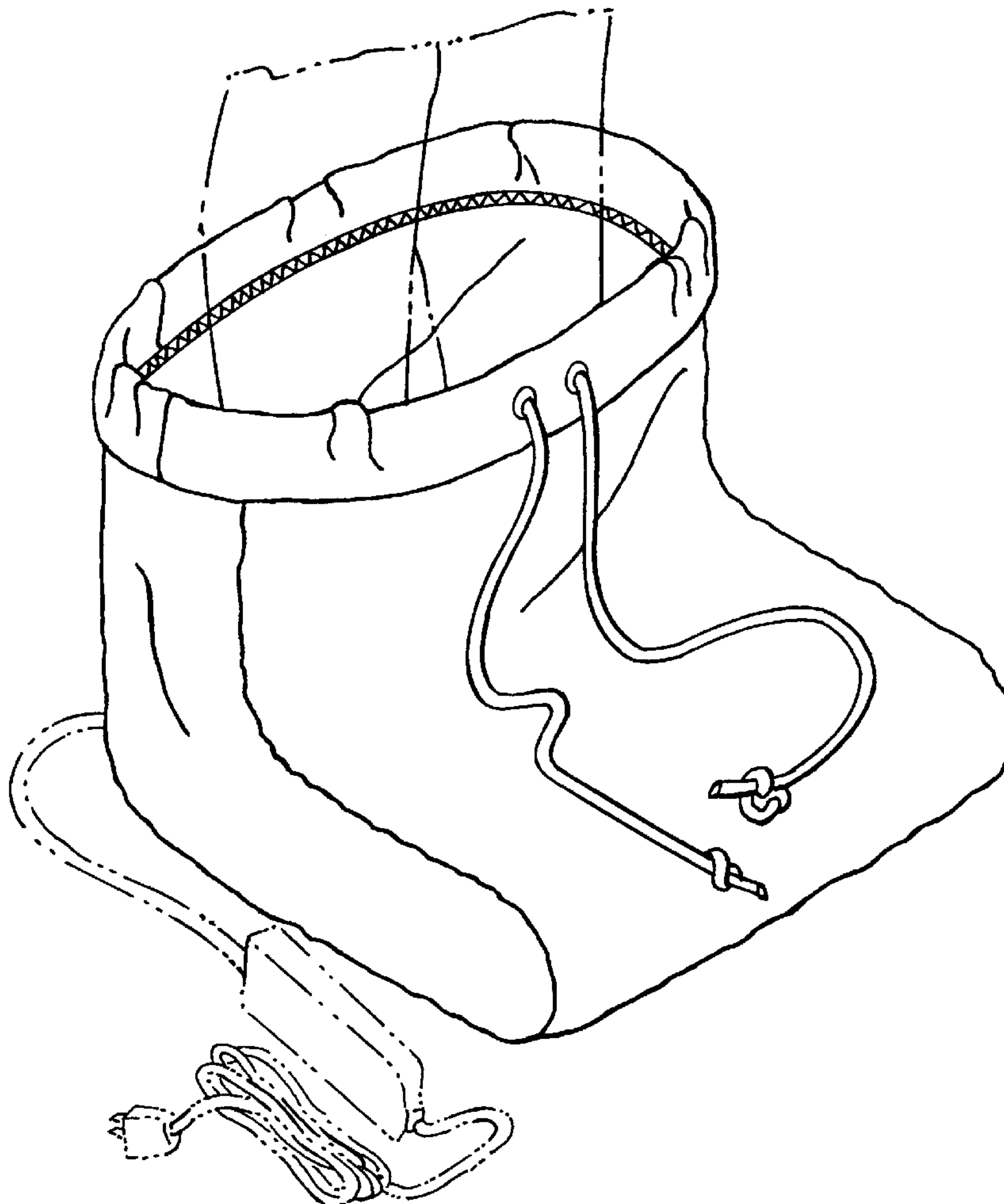
### [56] References Cited

#### U.S. PATENT DOCUMENTS

D. 244,641 6/1977 Rajaniemi et al. .... D2/910  
D. 289,580 5/1987 Bracy ..... D2/910  
1,608,188 11/1926 Skoler ..... 36/7.1 R

FIG. 1 is an isometric view of a foot warmer, showing my new design;  
FIG. 2 is a right side elevational view thereof;  
FIG. 3 is a left side elevational view thereof;  
FIG. 4 is a front elevational view thereof;  
FIG. 5 is a back elevational view thereof;  
FIG. 6 is a top plan view thereof; and,  
FIG. 7 is a bottom plan view thereof;  
The broken lines in the drawings are for illustrative purposes only and forms no part of the claimed design.

**1 Claim, 2 Drawing Sheets**



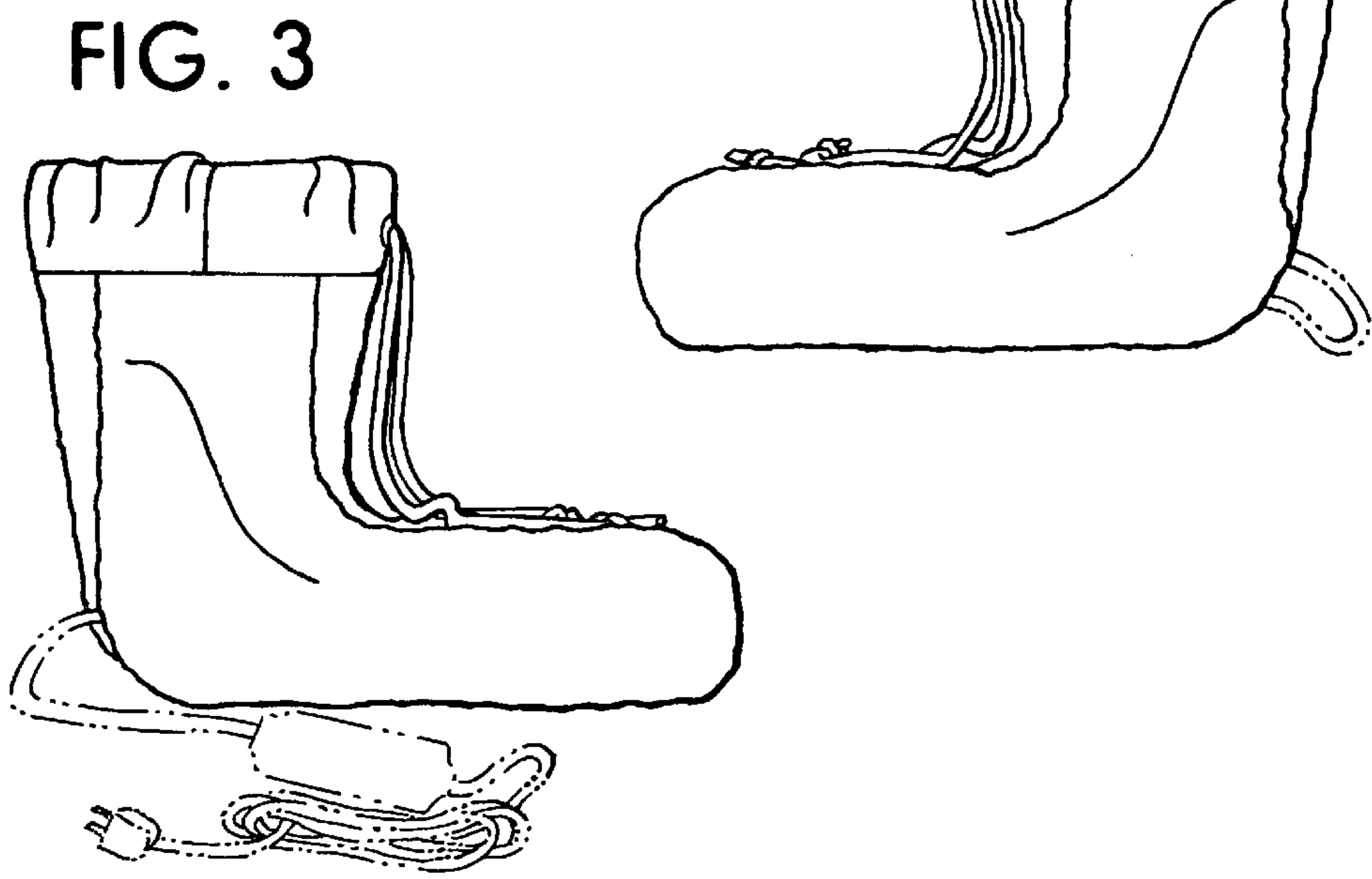
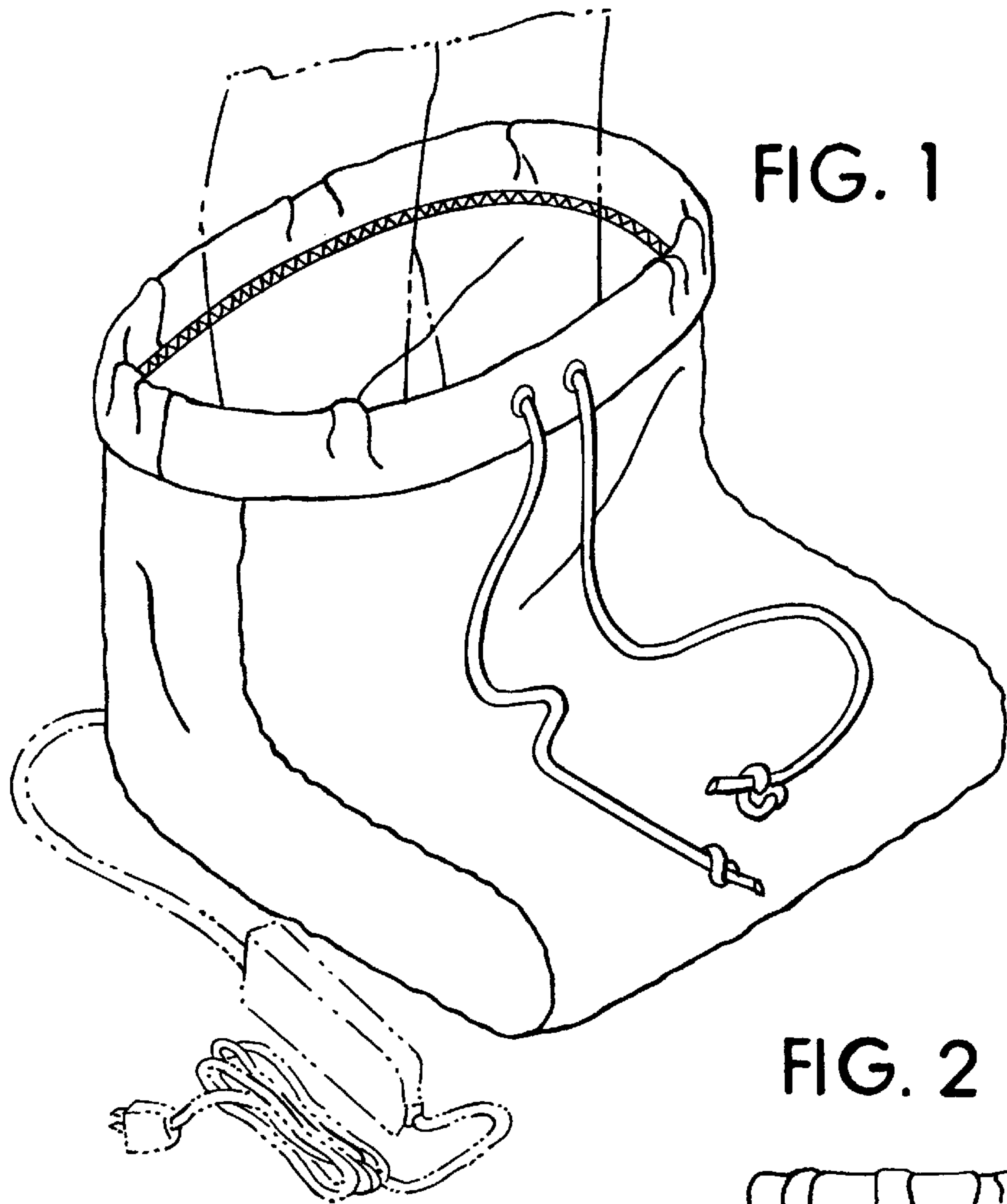


FIG. 4

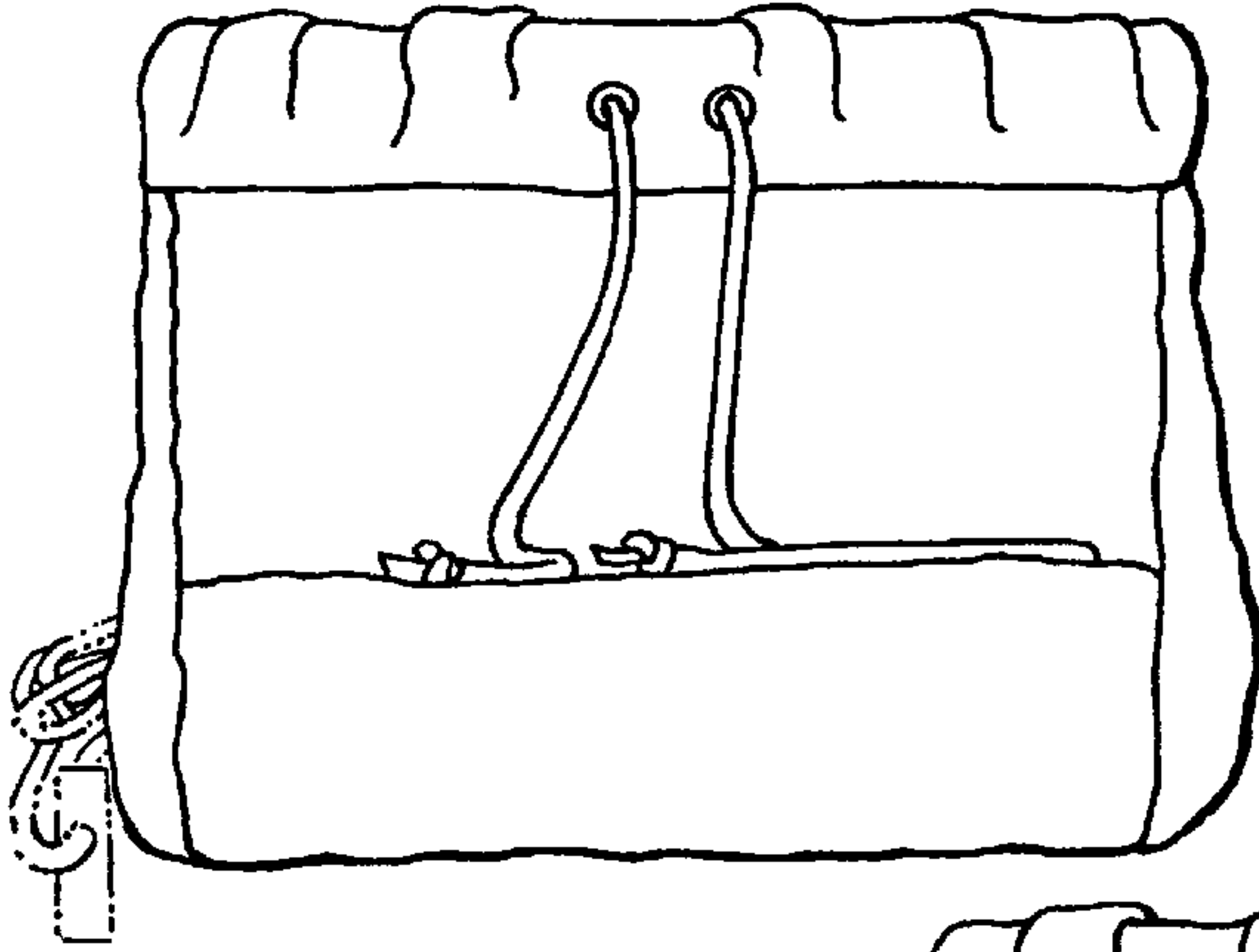


FIG. 5

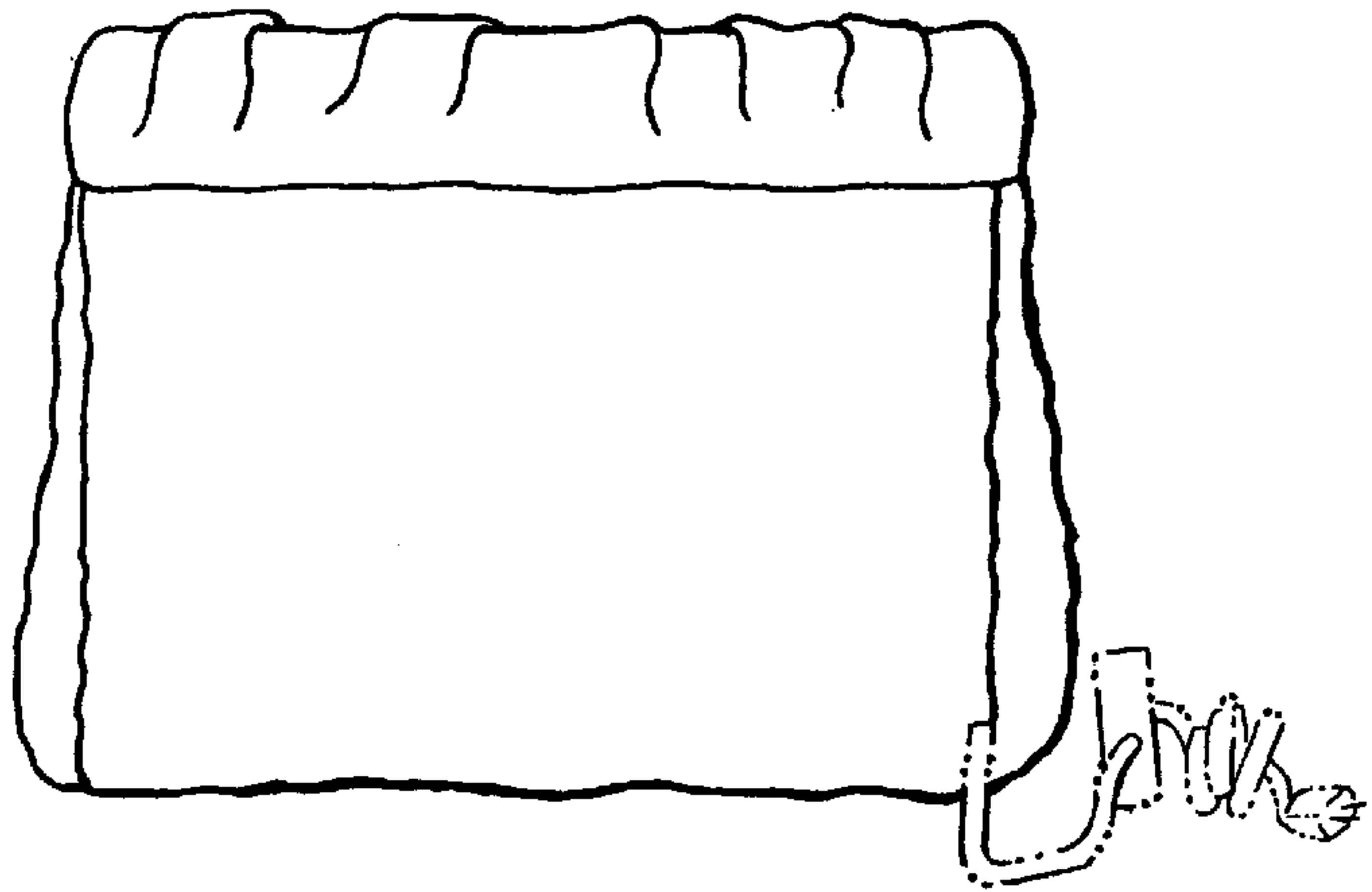


FIG. 6

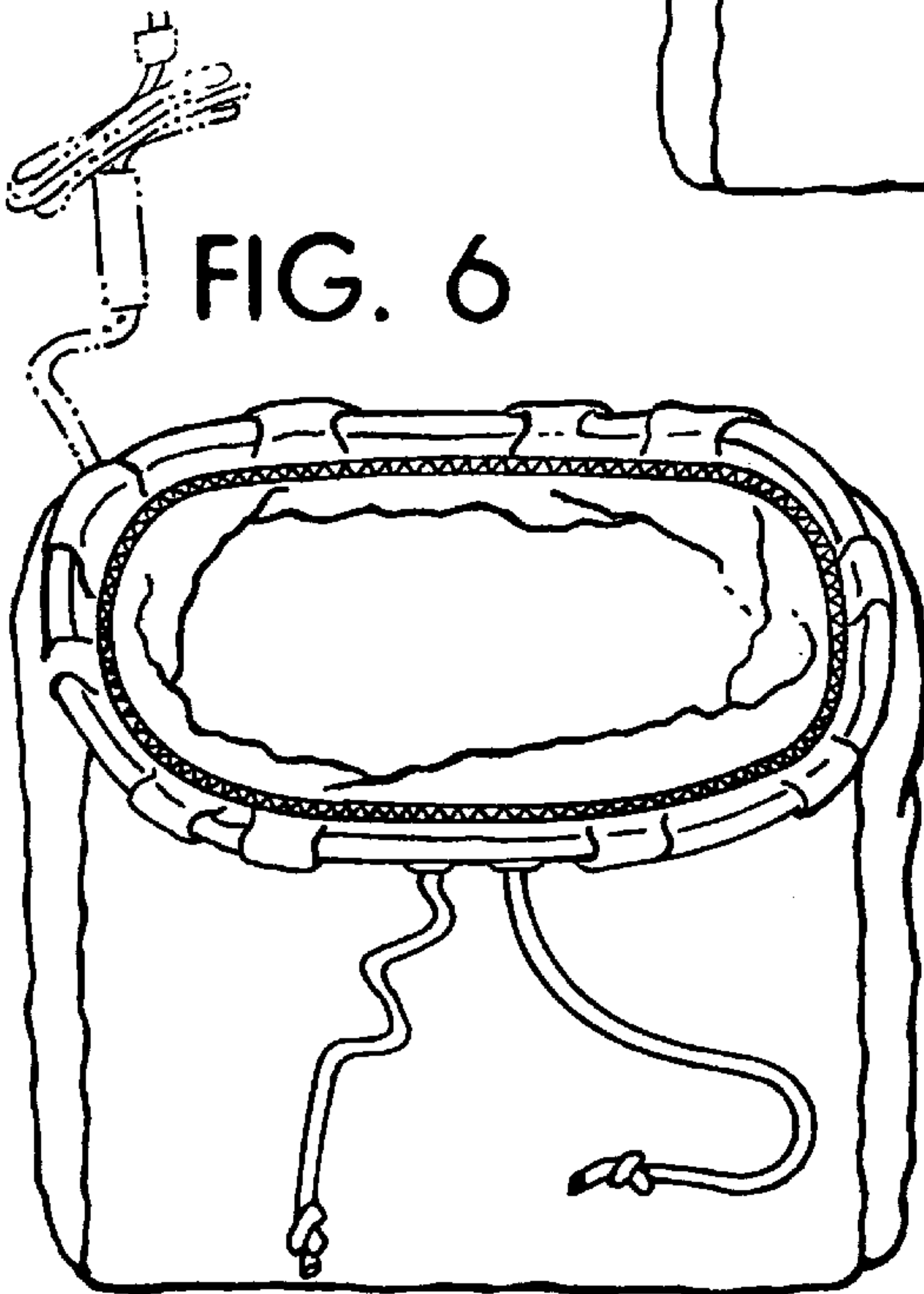


FIG. 7

