



US00D427412S

United States Patent [19] Klein

[11] Patent Number: Des. 427,412

[45] Date of Patent: ** Jun. 27, 2000

[54] MAILBOX

[76] Inventor: Theodore K. Klein, 12310 Austin, Palos Heights, Ill. 60463

[**] Term: 14 Years

[21] Appl. No.: 29/103,542

[22] Filed: Apr. 16, 1999

[51] LOC (7) Cl. 99-00

[52] U.S. Cl. D99/30

[58] Field of Search D99/29, 30; 232/17, 232/19, 20, 22, 27; D25/233, 56; 52/513, 233; 446/106

[56] References Cited

U.S. PATENT DOCUMENTS

D. 256,287	8/1980	McConnell	D99/30
D. 291,937	9/1987	Fisher	D99/30
D. 296,602	7/1988	Klein	.	
D. 354,611	1/1995	Hazlett	D99/30
2,110,990	3/1938	Forbes	446/106
2,946,150	7/1960	Houk	446/106
4,277,925	7/1981	Kinser	52/233
5,035,356	7/1991	Grangor	232/17
5,354,223	10/1994	Wawzonek	446/106
5,687,520	11/1997	Stranahan et al.	52/233
5,881,515	3/1999	George	52/233

OTHER PUBLICATIONS

- Klein, Theodore K., AH 3 Plain Sides, Flat Roof, 1986, U.S.A.
- Klein, Theodore K., AH 5 Lattice Sides, Flat Roof, 1986, U.S.A.
- Klein, Theodore K., AH 12 Plain Sides, Shingled Roof, 1986, U.S.A.
- Klein, Theodore K., AH 14 Log Sides, Shingled Roof, 1986, U.S.A.
- Klein, Theodore K., AH 15 Till Sides, Shingled Roof, 1986, U.S.A.
- Klein, Theodore K., AH 25 Shingled & Side Door For Paper, 1986, U.S.A.
- Klein, Theodore K., AH 12K Plain Sides, Kurfed Roof, 1986, U.S.A.

- Klein, Theodore K., AH 14K Log Sides, Kurfed Roof, 1986, U.S.A.
- Klein, Theodore K., AH 15K TK111 Sides, Kurfed Roof, 1986, U.S.A.
- Klein, Theodore K., CH 1 Plain Sides, Plain Roof, 1995, U.S.A.
- Klein, Theodore K., CH 2 Plain Sides, Plain Roof, 1995, U.S.A.
- Klein, Theodore K., CH 3 Grooved Sides, Shingled Roof, 1995, U.S.A.
- Klein, Theodore K., CH 4 Log Sides, Shingled Roof, 1995, U.S.A.
- Klein, Theodore K., CH 5 Till Sides, Shingled Roof, 1995, U.S.A.
- Klein, Theodore K., CH 2K Plain Sides, Kurfed Roof, 1995, U.S.A.
- Klein, Theodore K., CH 3K Grooves Sides, Kurfed Roof, 1995, U.S.A.
- Klein, Theodore K., CH 4K Log Sides, Kurfed Roof, 1995, U.S.A.
- Klein, Theodore K., CH 5K T111 Sides, Kurfed Roof, 1995, U.S.A.
- Klein, Theodore K., TK 101 Large Box, 4 Grooved Sides, 1984, U.S.A.

(List continued on next page.)

Primary Examiner—Paula A. Mortimer
Attorney, Agent, or Firm—Wildman, Harrold, Allen & Dixon; Thomas J. Ring

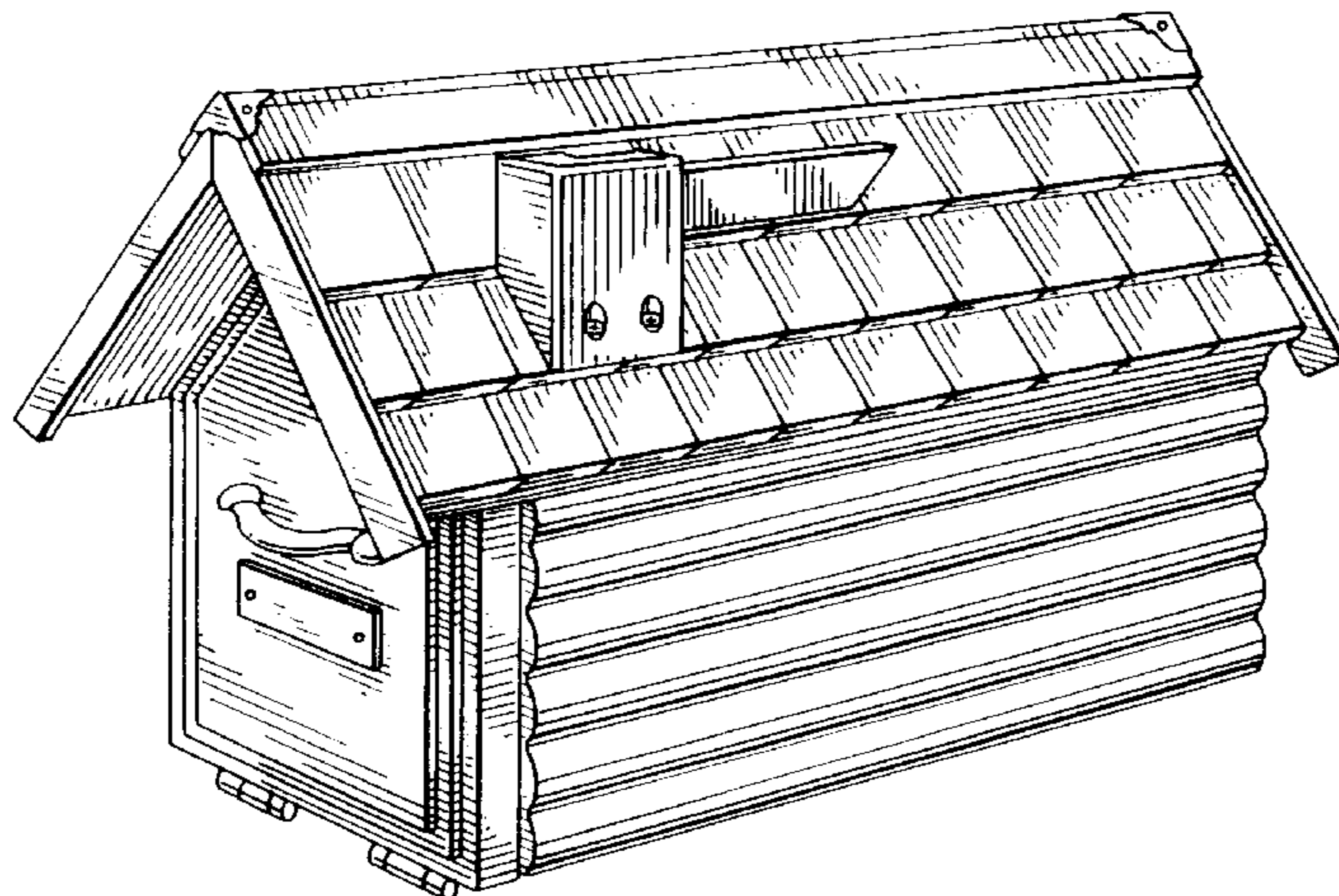
[57] CLAIM

The ornamental design for a mailbox, as shown and described.

DESCRIPTION

FIG. 1 is a perspective view of a mailbox;
FIG. 2 is a top plan view thereof;
FIG. 3 is a right side elevational view thereof;
FIG. 4 is a left side elevational view thereof;
FIG. 5 is a front elevational view thereof;
FIG. 6 is a rear elevational view thereof; and,
FIG. 7 is a bottom plan view thereof.

1 Claim, 2 Drawing Sheets



OTHER PUBLICATIONS

Klein, Theodore K., TK 102 Medium Box, 3 Grooved Sides, 1984, U.S.A.

Klein, Theodore K., TK 103 Small Box, 2 Grooved Sides, 1984, U.S.A.

Klein, Theodore K., CM 1 Plain Chimney, 1 Window, 1997, U.S.A.

Klein, Theodore K., CM 2 Plain Chimney, 2 Windows, 1997, U.S.A.

Klein, Theodore K., CM 3 Plain Chimney, 3 Windows, 1997, U.S.A.

Klein, Theodore K., CM 4 Stone Chimney, 4 Windows, 1997, U.S.A.

FIG. 1

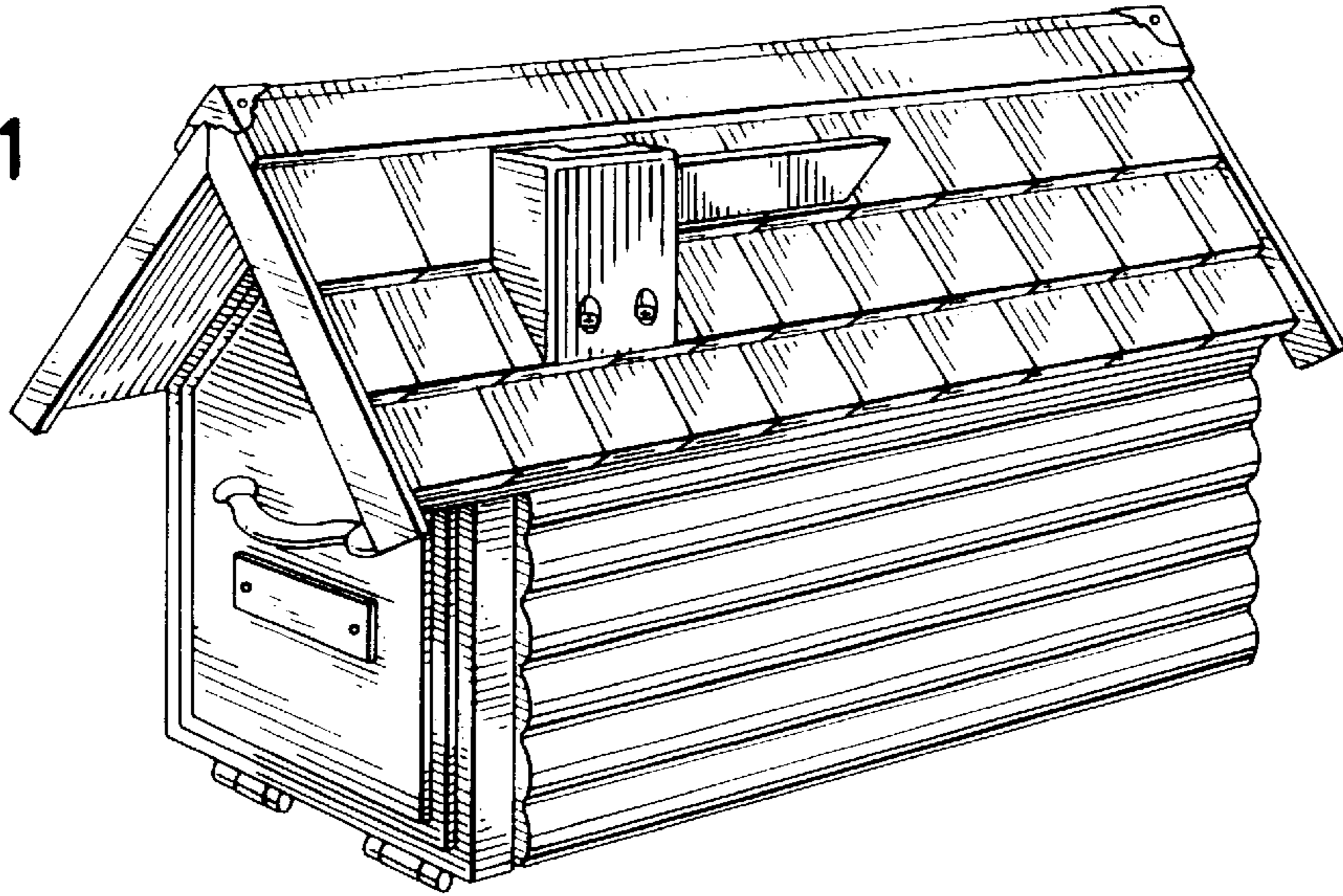


FIG. 2

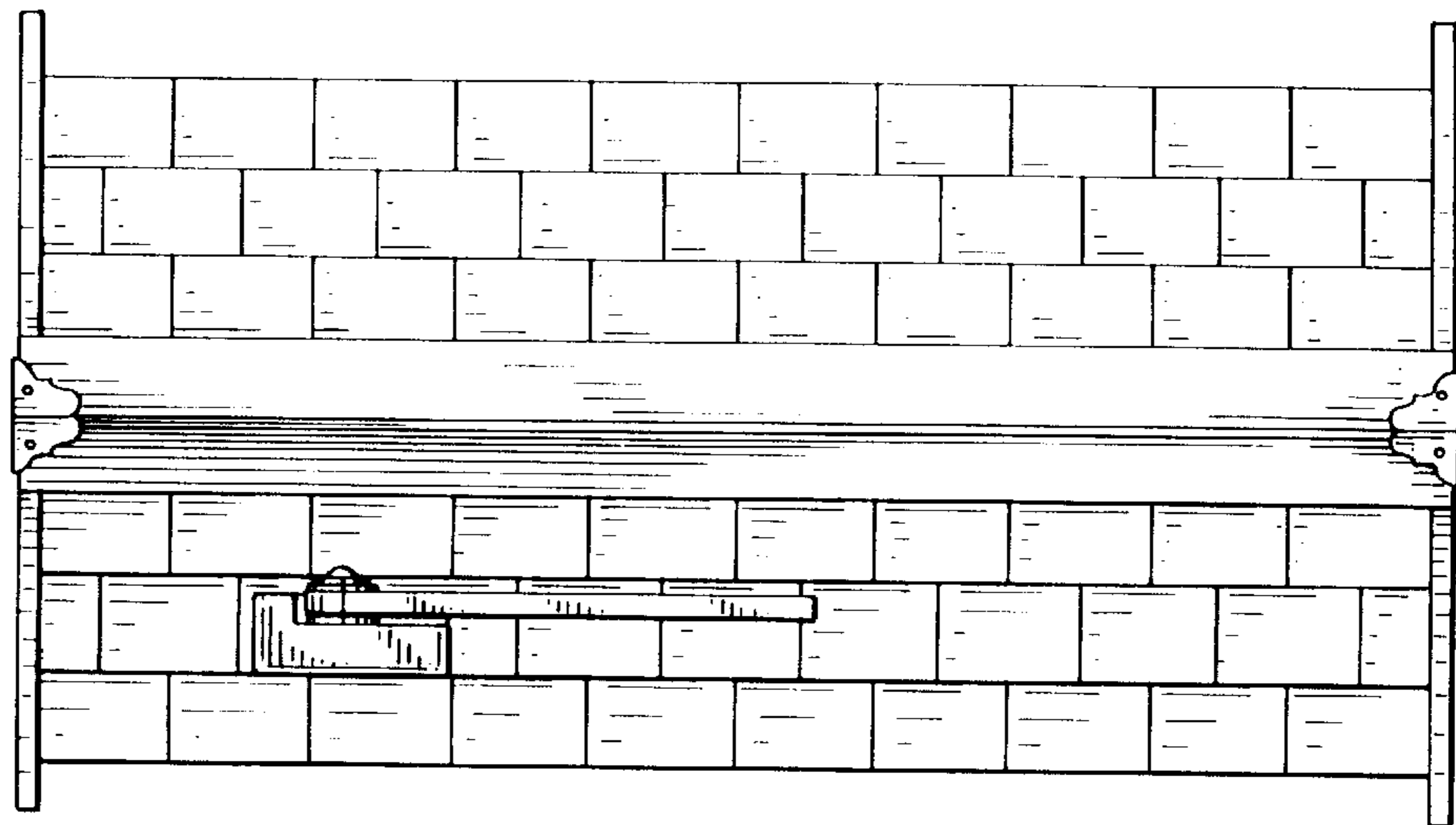


FIG. 3

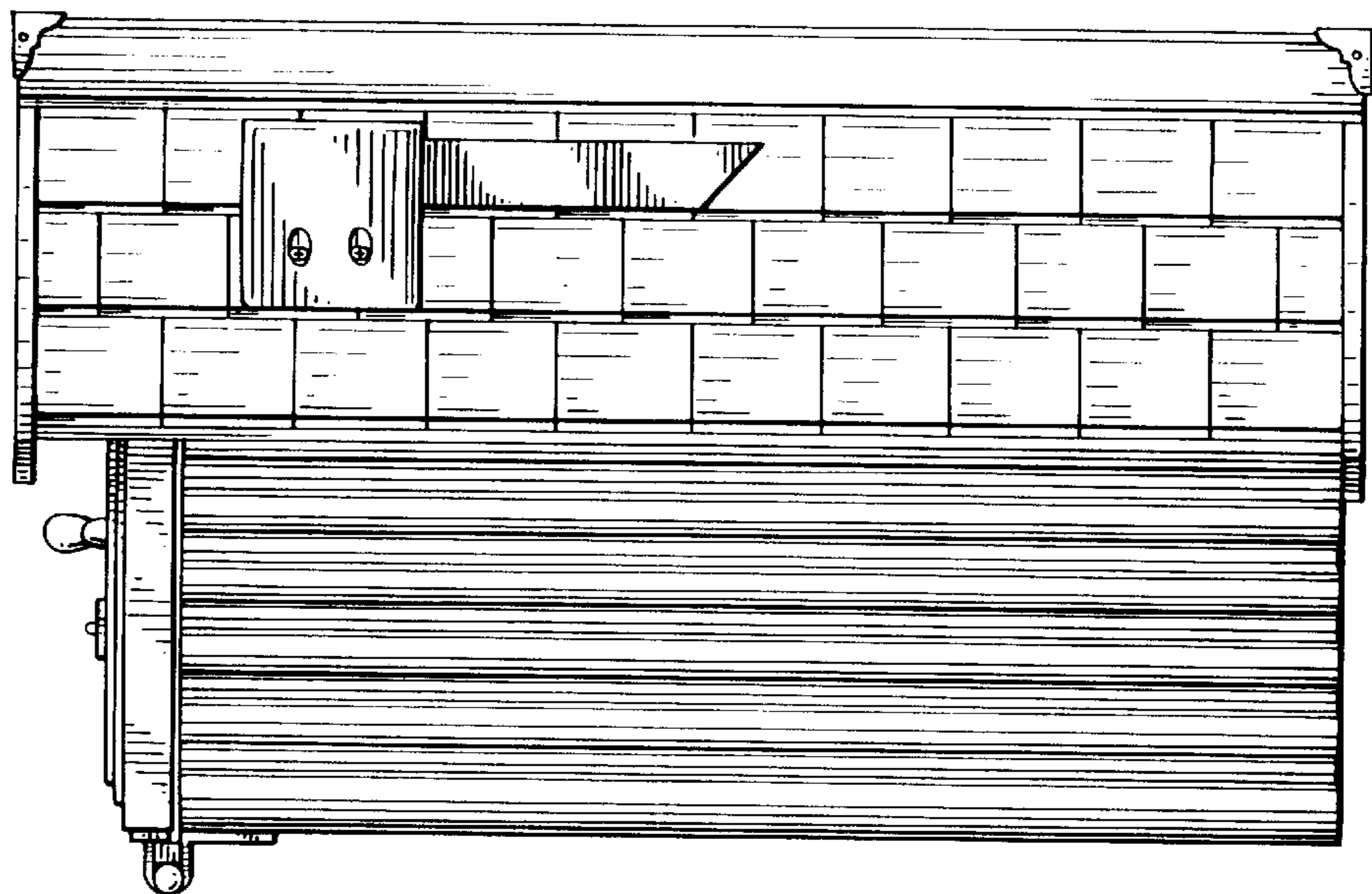


FIG. 4

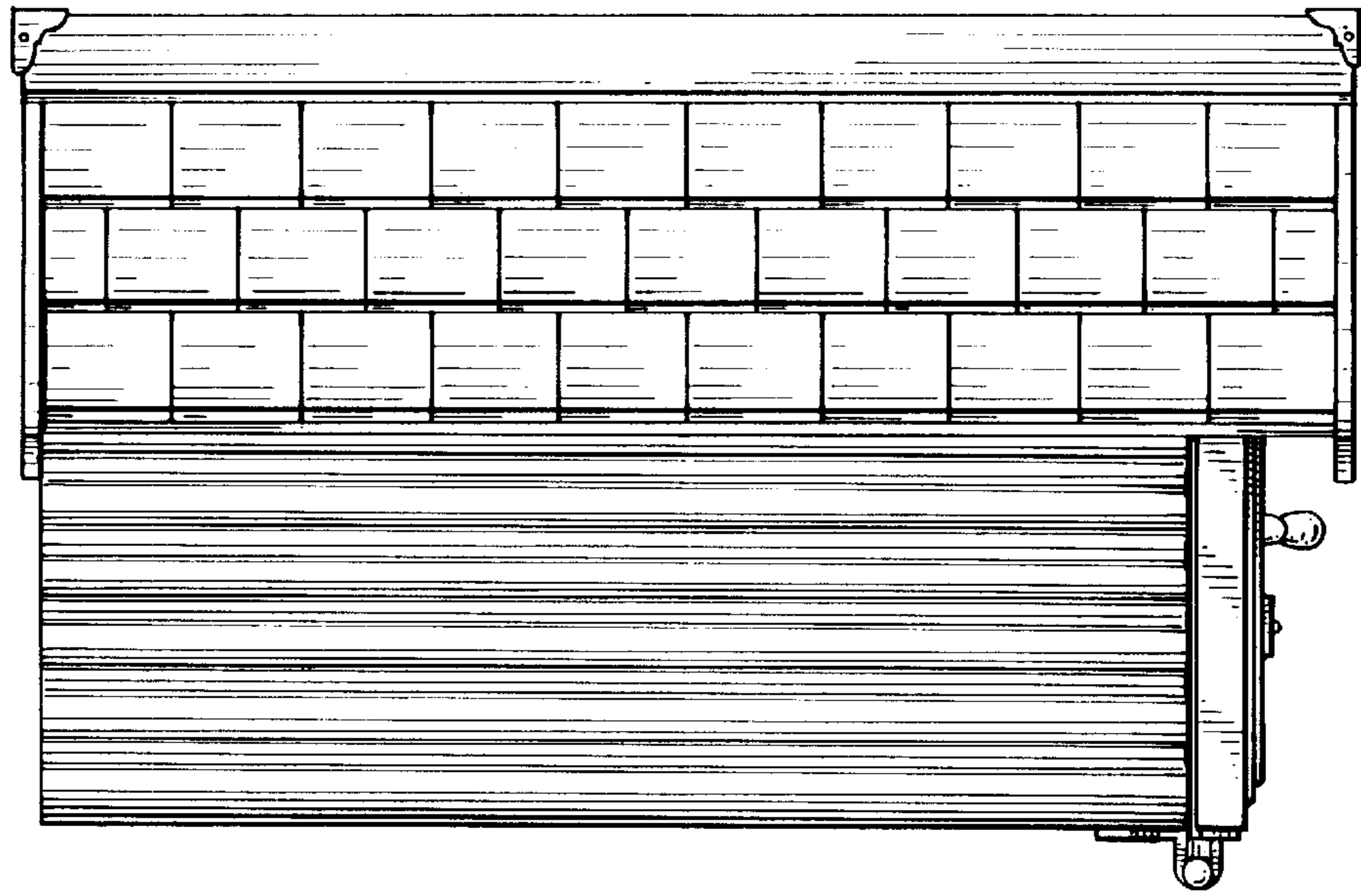


FIG. 5

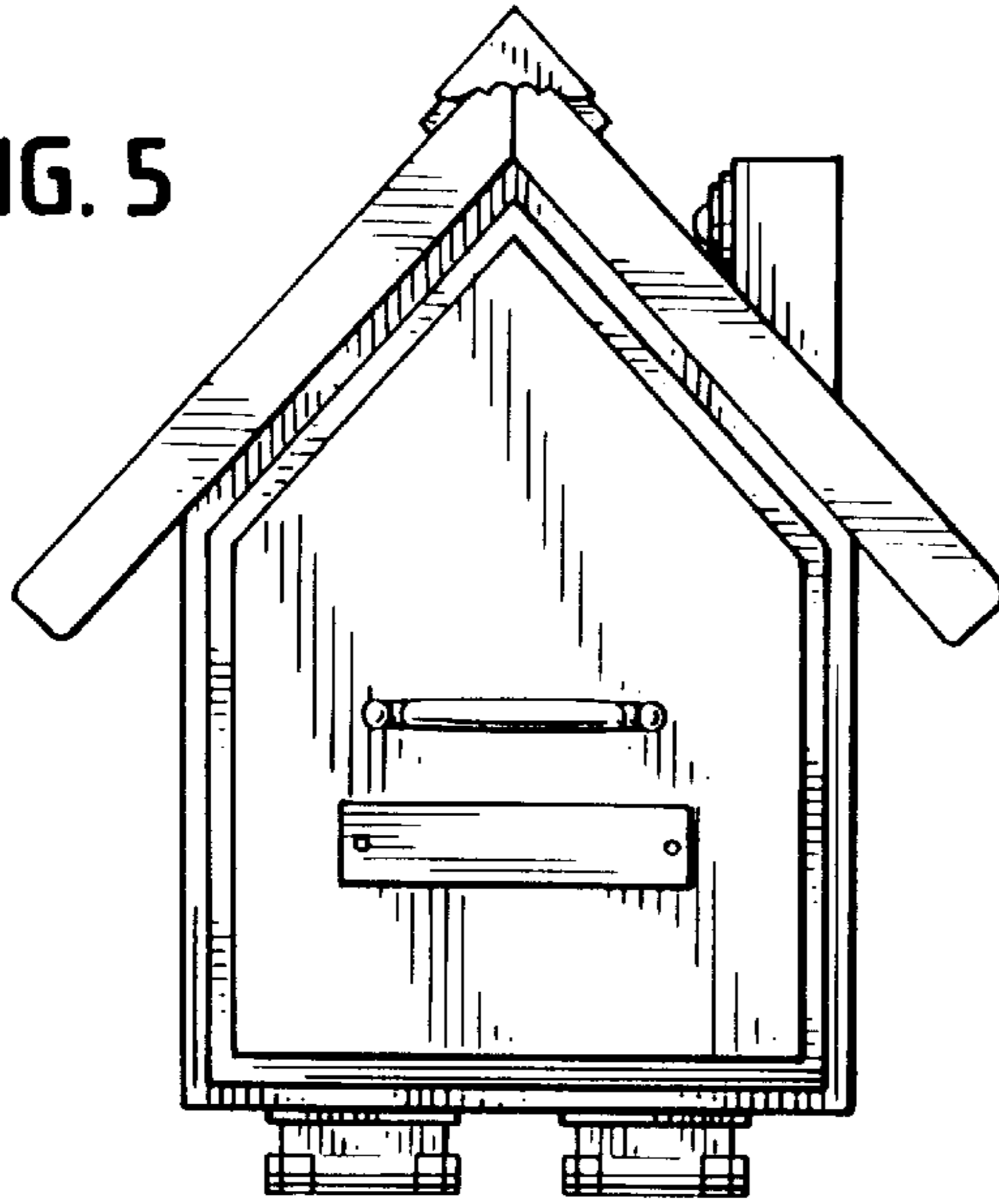


FIG. 6

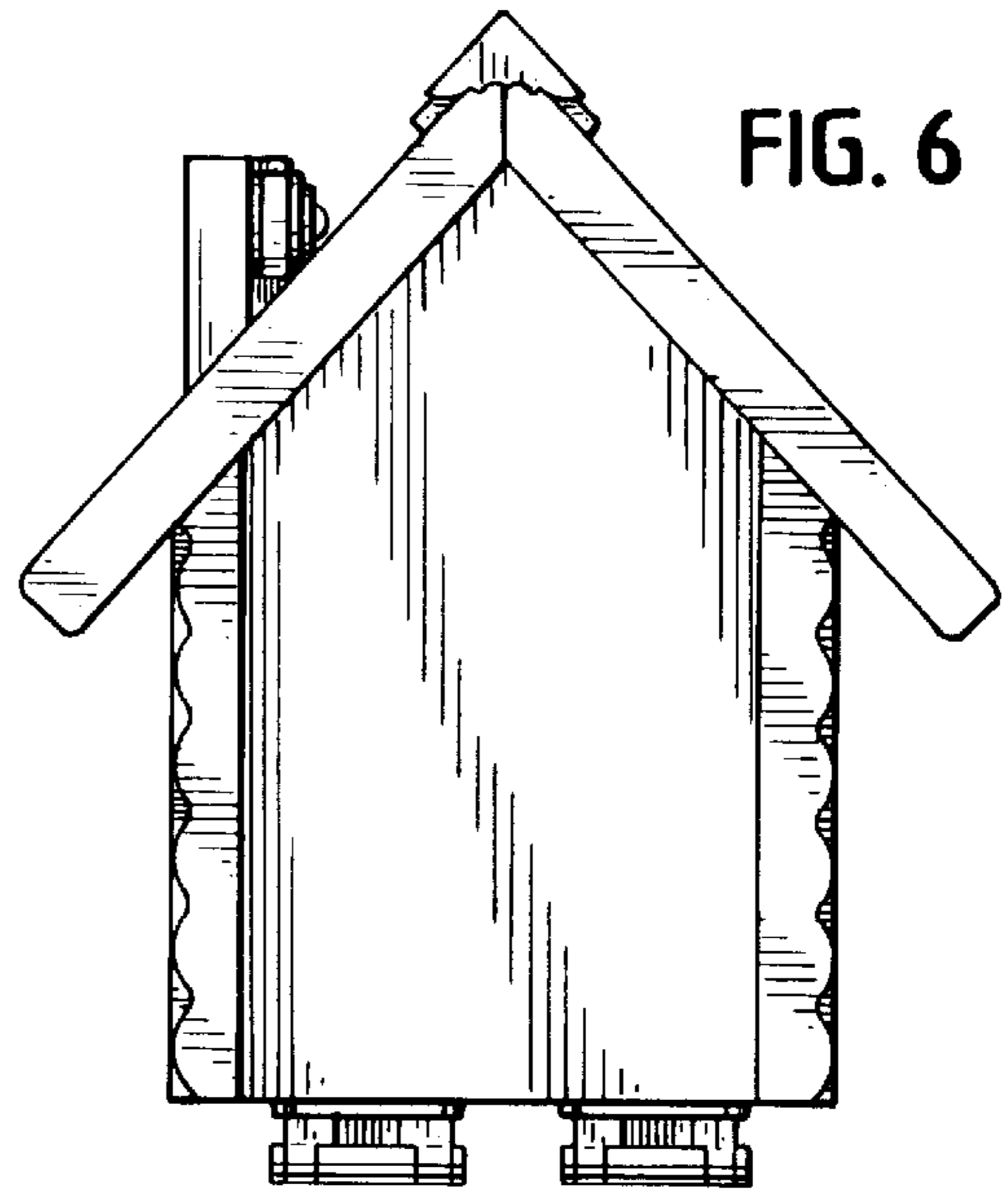


FIG. 7

