



US00D427409S

United States Patent [19]

Sato et al.

[11] Patent Number: Des. 427,409

[45] Date of Patent: ** Jun. 27, 2000

[54] FORKLIFT TRUCK

[75] Inventors: Yoshitaka Sato; Yoshihiro Aoyama, both of Kariya, Japan

[73] Assignee: Kabushiki Kaisha Toyota Jidoshokki Seisakusho, Aichi-Ken, Japan

[**] Term: 14 Years

[21] Appl. No.: 29/092,778

[22] Filed: Aug. 27, 1998

[30] Foreign Application Priority Data

Feb. 27, 1998	[JP]	Japan	10-5427
Feb. 27, 1998	[JP]	Japan	10-5431
Apr. 9, 1998	[JP]	Japan	10-10301

[51] LOC (7) Cl. 12-05

[52] U.S. Cl. D34/34

[58] Field of Search D34/34, 28, 37; 187/222, 237; 414/572, 592, 631; 180/89.12, 89.13, 89.17

[56] References Cited

U.S. PATENT DOCUMENTS

D. 234,050	1/1975	Crawford .	
D. 244,439	5/1977	Carr et al. .	
D. 327,356	6/1992	Laatsch .	
D. 353,931	12/1994	Kobayakawa et al. .	
D. 356,201	3/1995	Sato et al. .	
D. 367,750	3/1996	Choi et al.	D34/34
D. 371,669	7/1996	Yoon	D34/34
D. 374,752	10/1996	Lee et al.	D34/34
D. 379,020	4/1997	Avitan	D34/34
D. 386,872	11/1997	Rick et al.	D34/34
D. 389,981	1/1998	Donaldson	D34/34
D. 389,982	1/1998	Kim	D34/34
D. 393,134	3/1998	Mariano	D34/34
D. 393,517	4/1998	Kim et al.	D34/34
3,713,688	1/1973	Monroe .	

4,506,750	3/1985	Laskivec	180/89.17
4,770,428	9/1988	Sugiyama .	
5,184,699	2/1993	Aoki et al.	414/631
5,238,086	8/1993	Aoki et al.	414/631
5,881,842	3/1999	Kikukawa	187/222

OTHER PUBLICATIONS

“Kojo Kanri”, vol. 43, No. 3, published by Nikkan Kogyo Shimbunsha, Feb. 1, 1997; “Mitsubishi Forklift XEF Series”, published by Mitsubishi Heavy Industries, Ltd., Jun. 1997.

Primary Examiner—Susan J. Lucas
Assistant Examiner—Cynthia Ramirez
Attorney, Agent, or Firm—Morgan & Finnegan, L.L.P.

[57] CLAIM

The ornamental design for a forklift truck, as shown and described.

DESCRIPTION

FIG. 1 is a rear elevational view of a forklift truck; FIG. 2 is a front elevational view thereof; FIG. 3 is a top plan view thereof; FIG. 4 is a bottom plan view thereof; FIG. 5 is a right side elevational view thereof; FIG. 6 is a left side elevational view thereof; FIG. 7 is a front perspective view thereof; FIG. 8 is a rear perspective view thereof; FIG. 9 is a front elevational view of a second embodiment of a forklift truck; FIG. 10 is a rear elevational view thereof; FIG. 11 is a top plan view thereof; FIG. 12 is a bottom plan view thereof; FIG. 13 is a right side elevational view thereof; FIG. 14 is a left side elevational view thereof; FIG. 15 is a front perspective view thereof; and, FIG. 16 is a rear perspective view thereof.

1 Claim, 12 Drawing Sheets

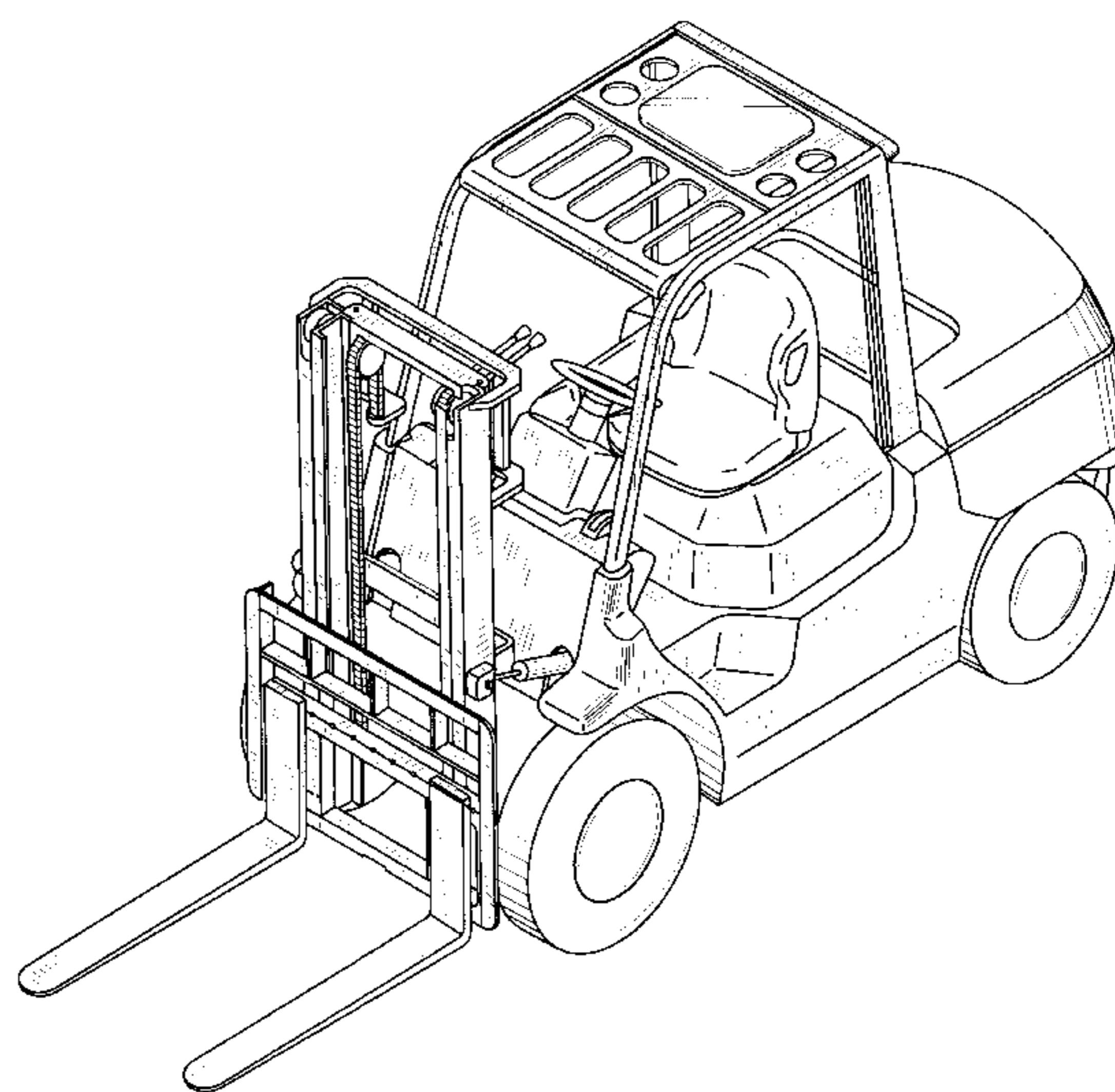
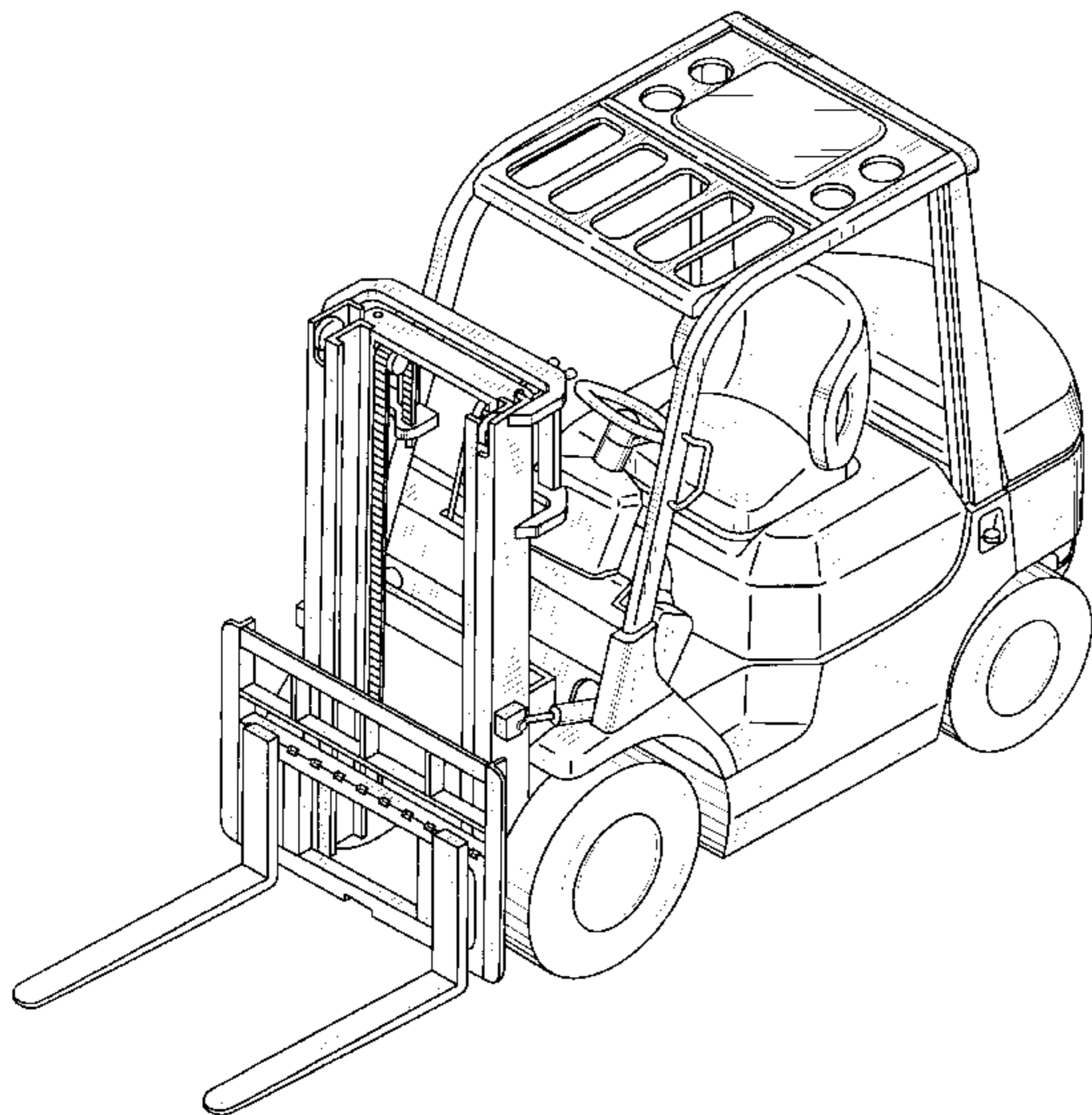


FIG. 2

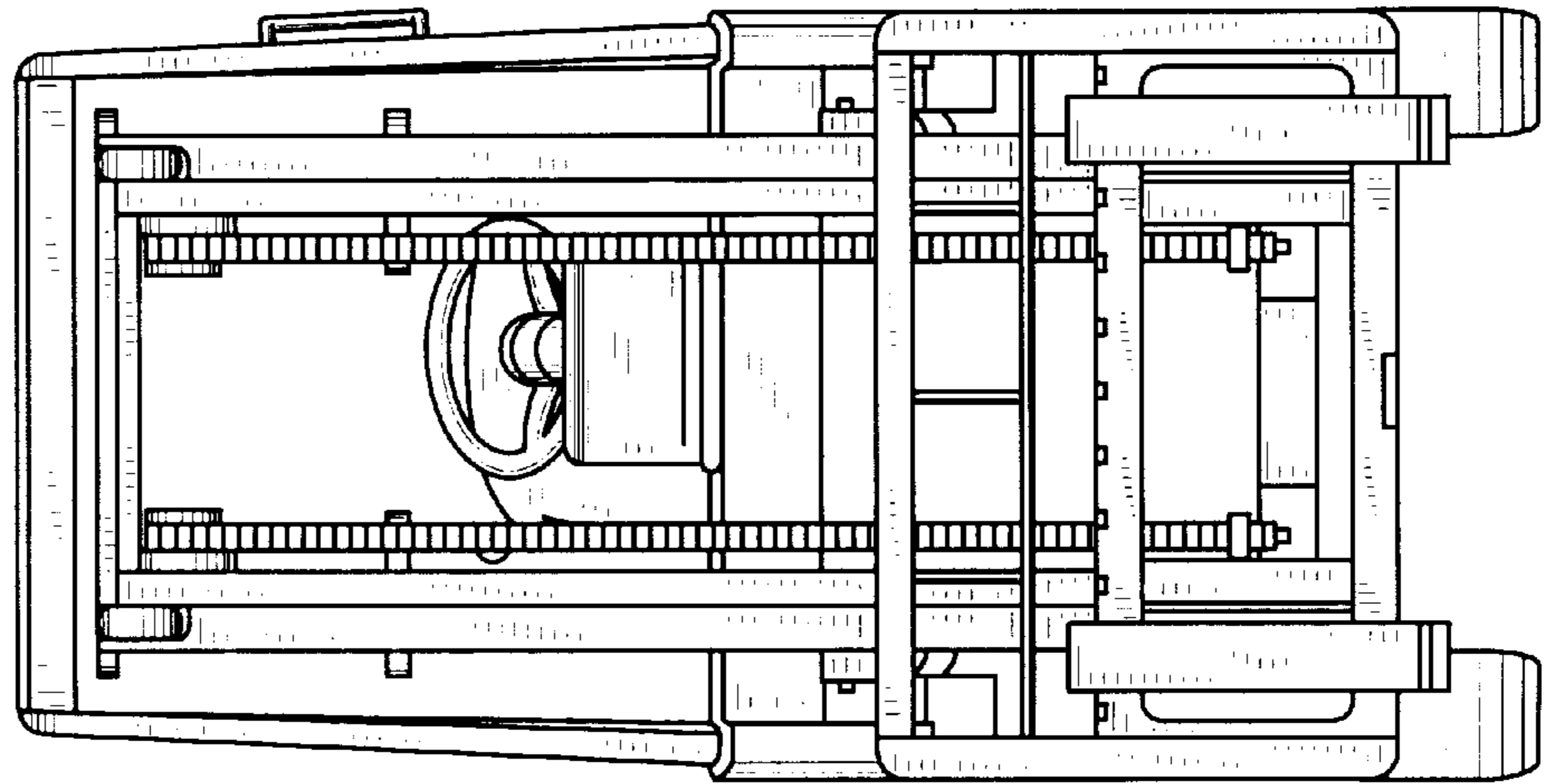


FIG. 1

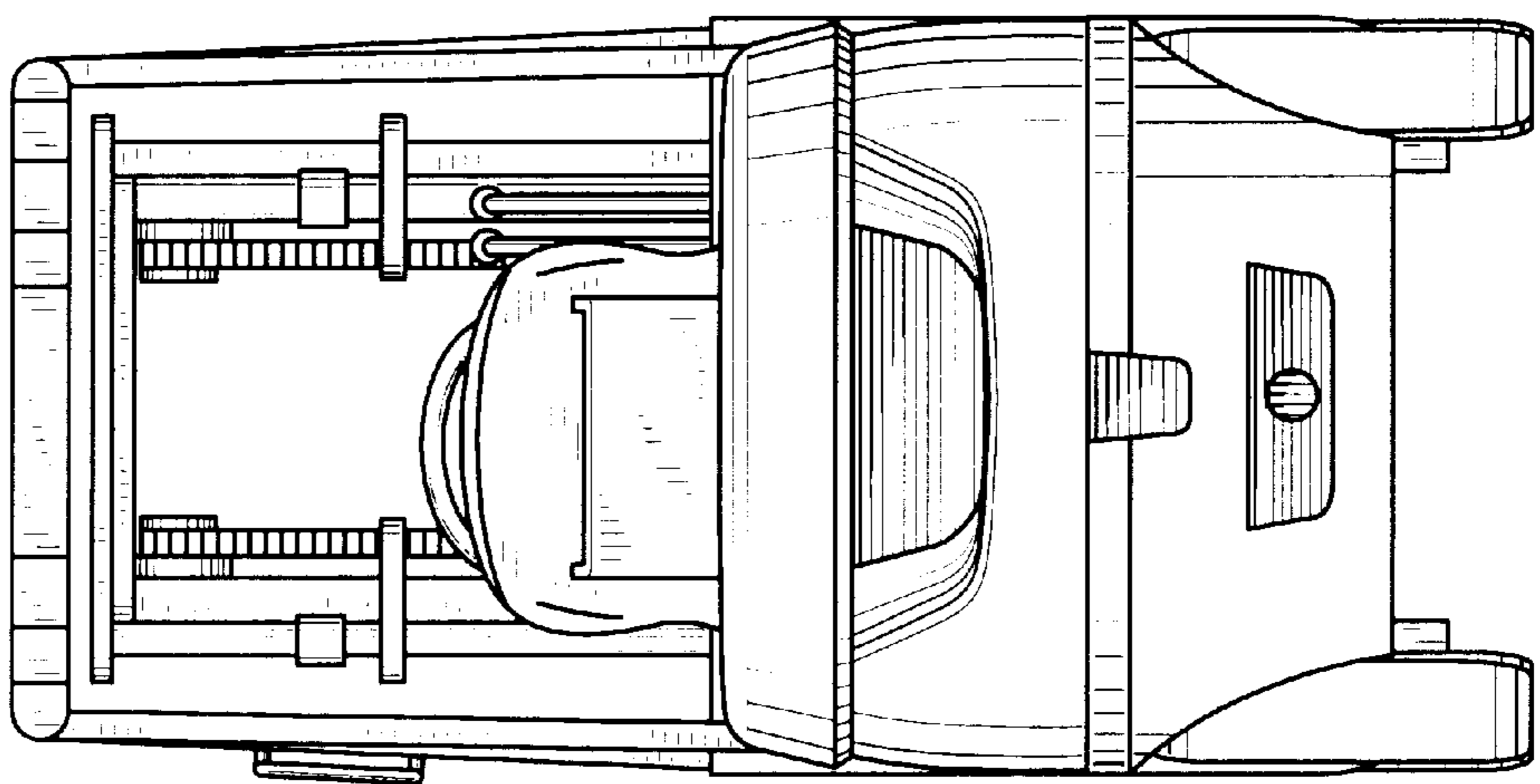


FIG. 3

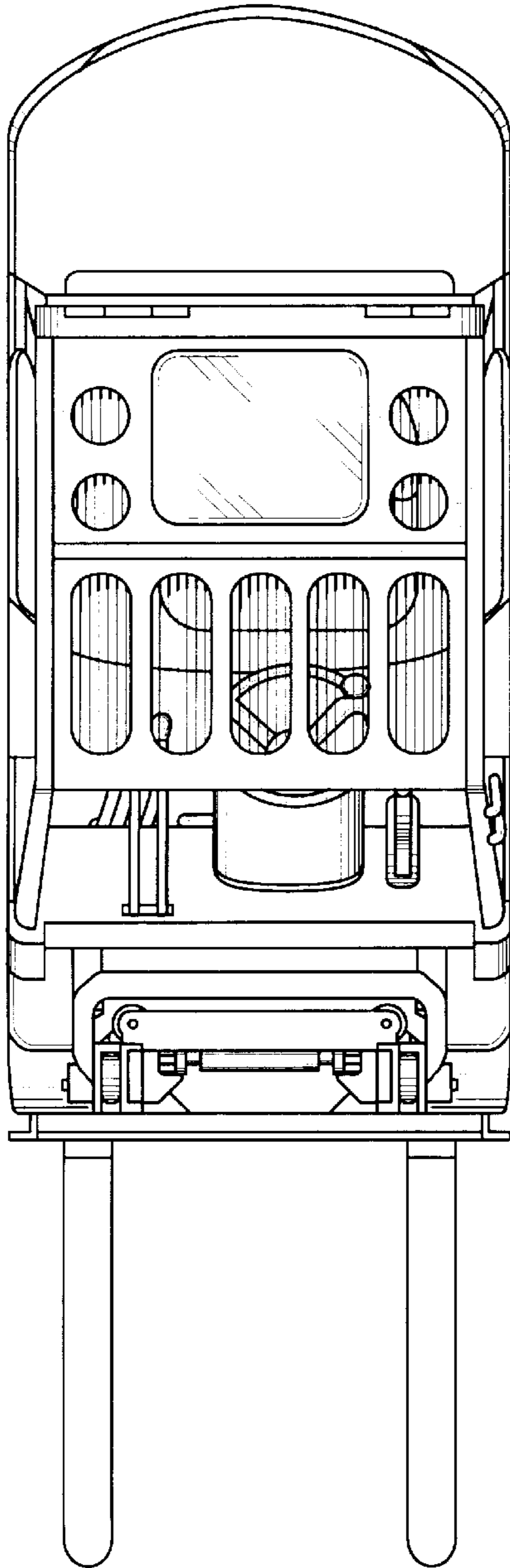


FIG. 4

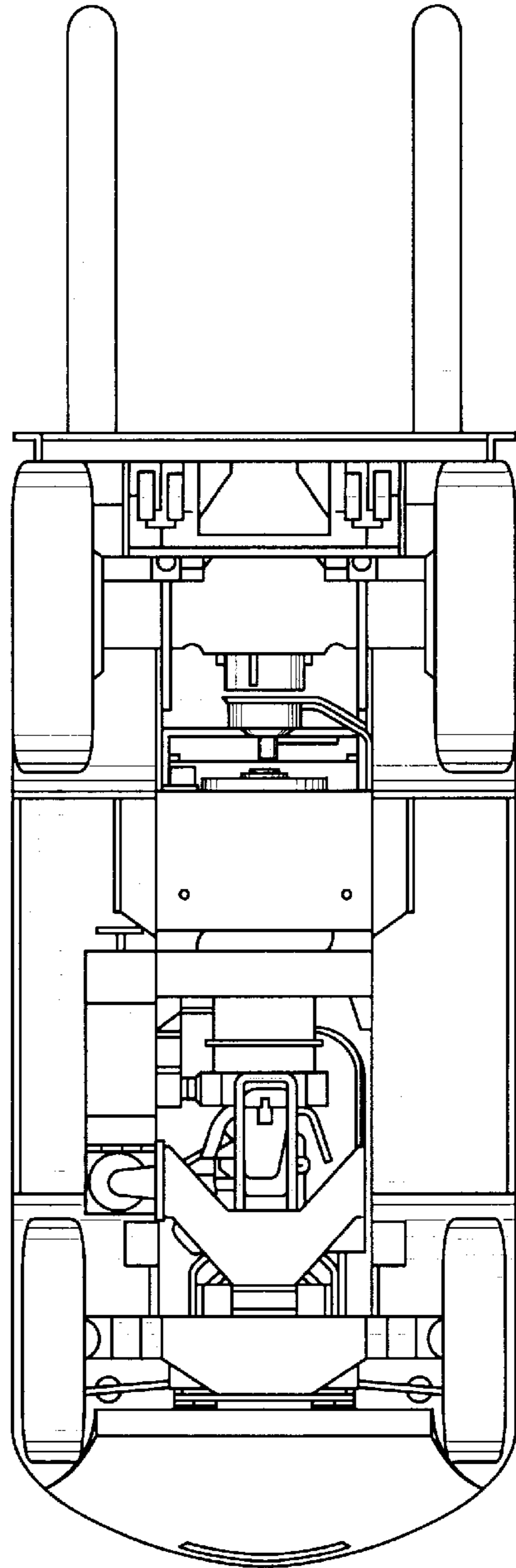


FIG. 5

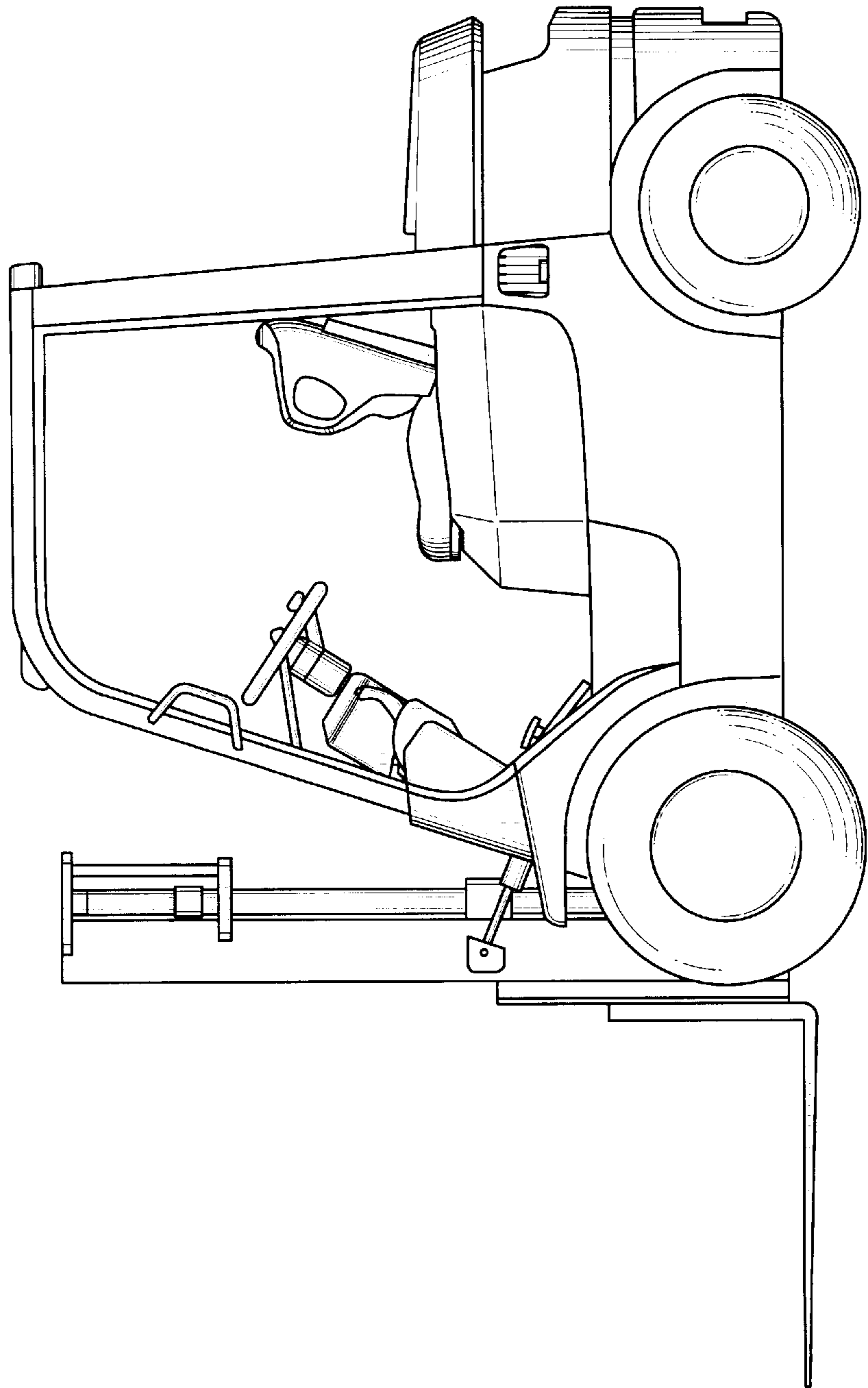


FIG. 6

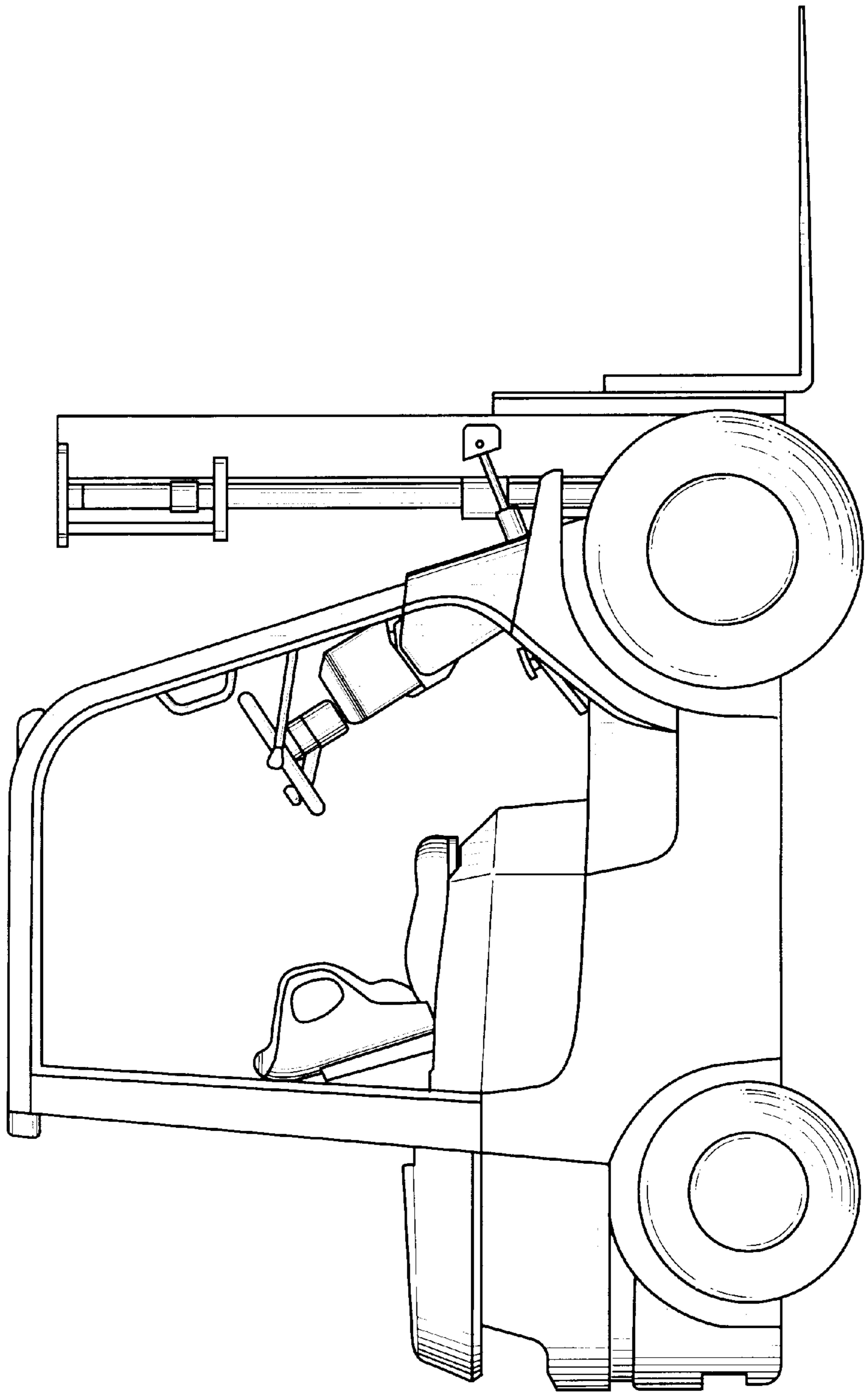


FIG. 7

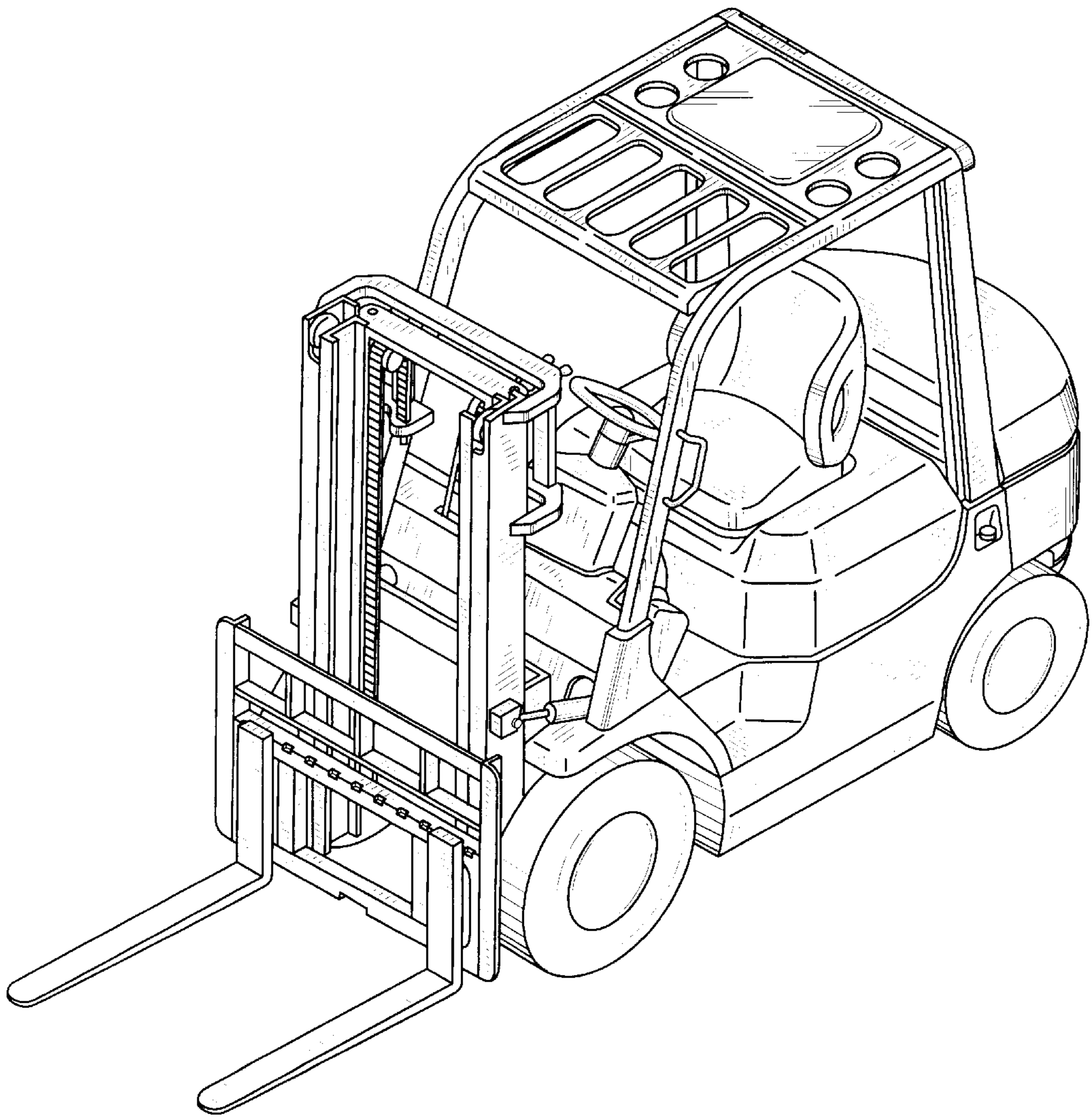


FIG. 8

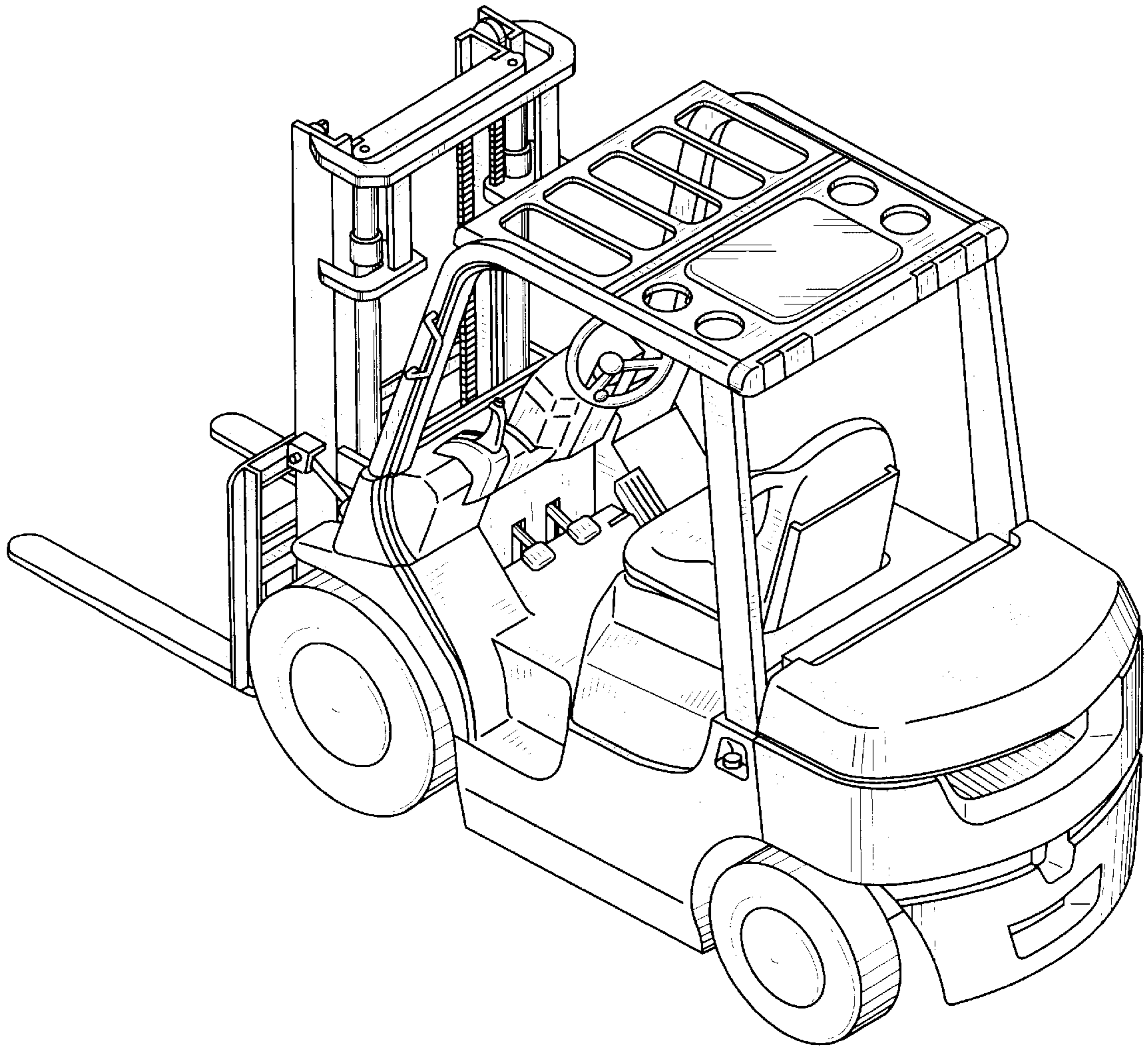


FIG. 10

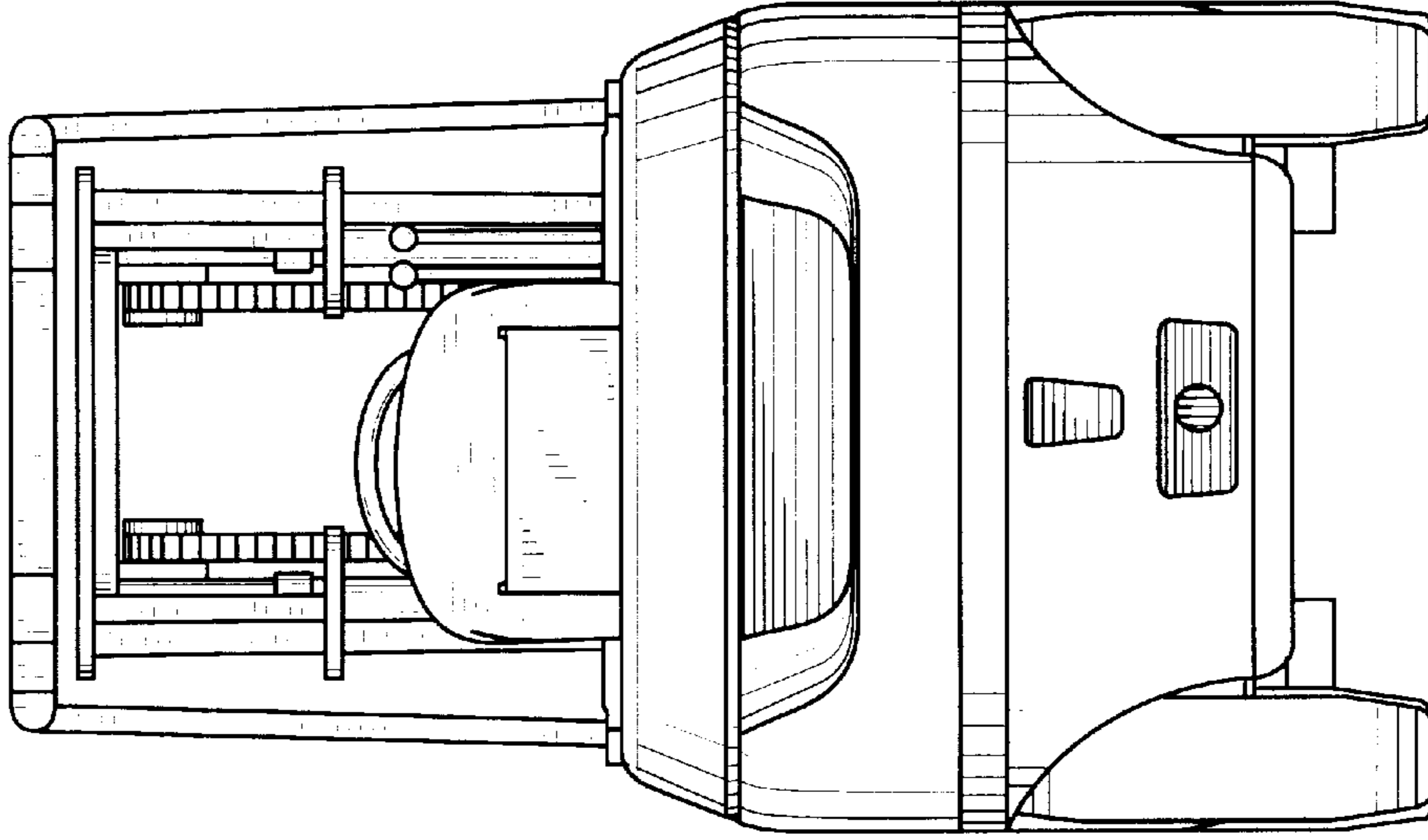


FIG. 9

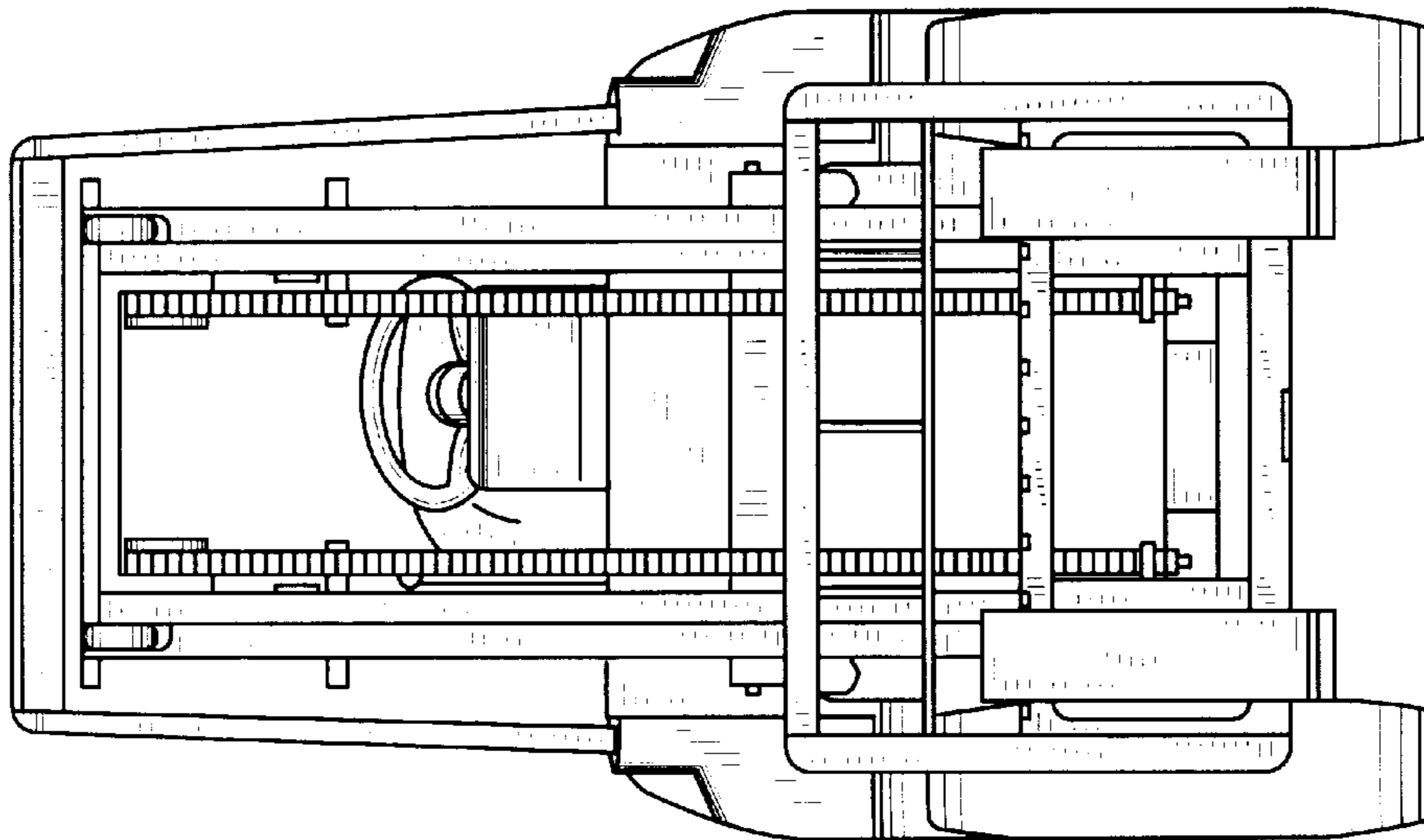


FIG. 11

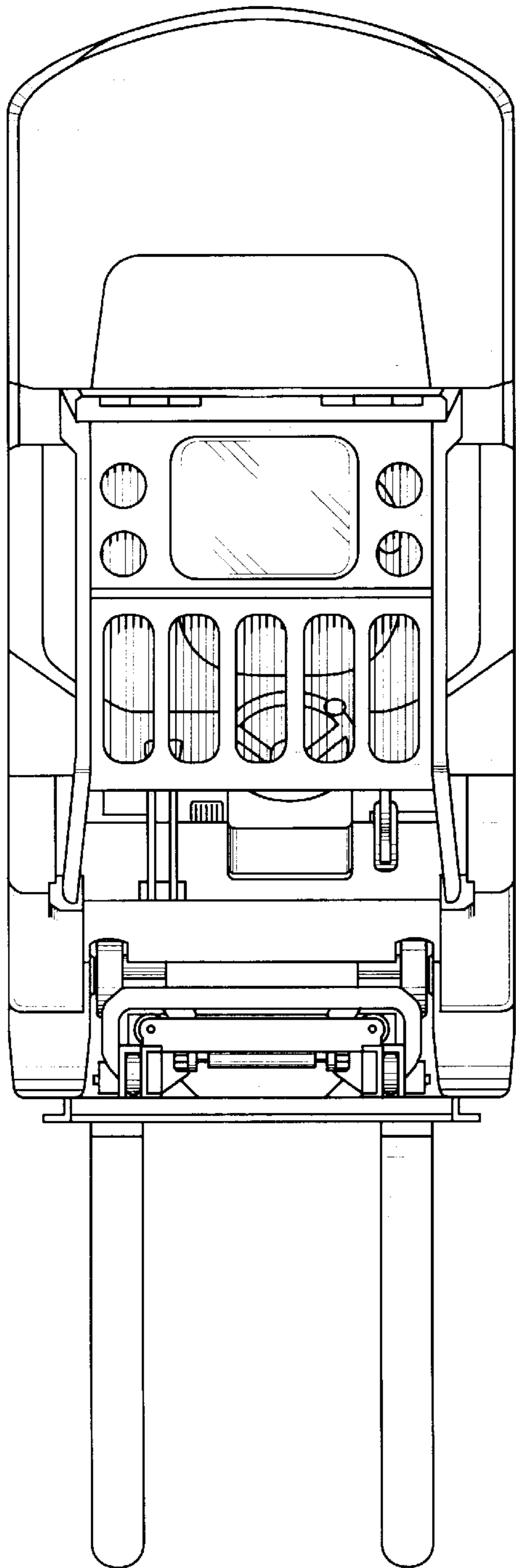


FIG. 12

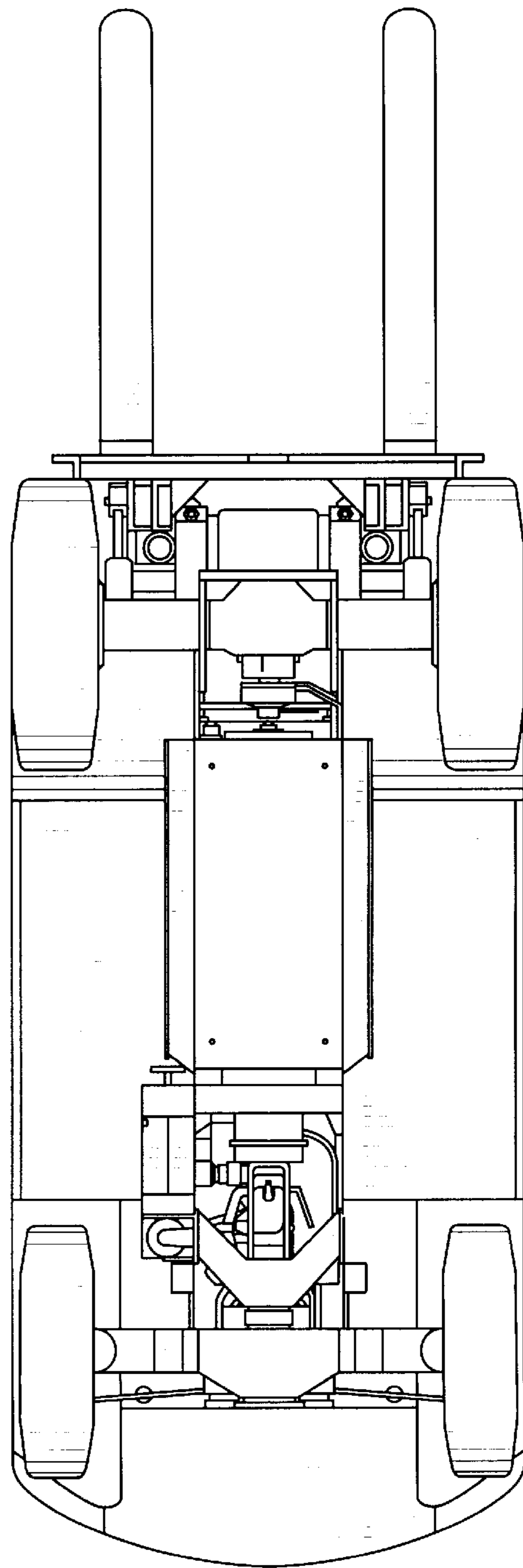


FIG. 13

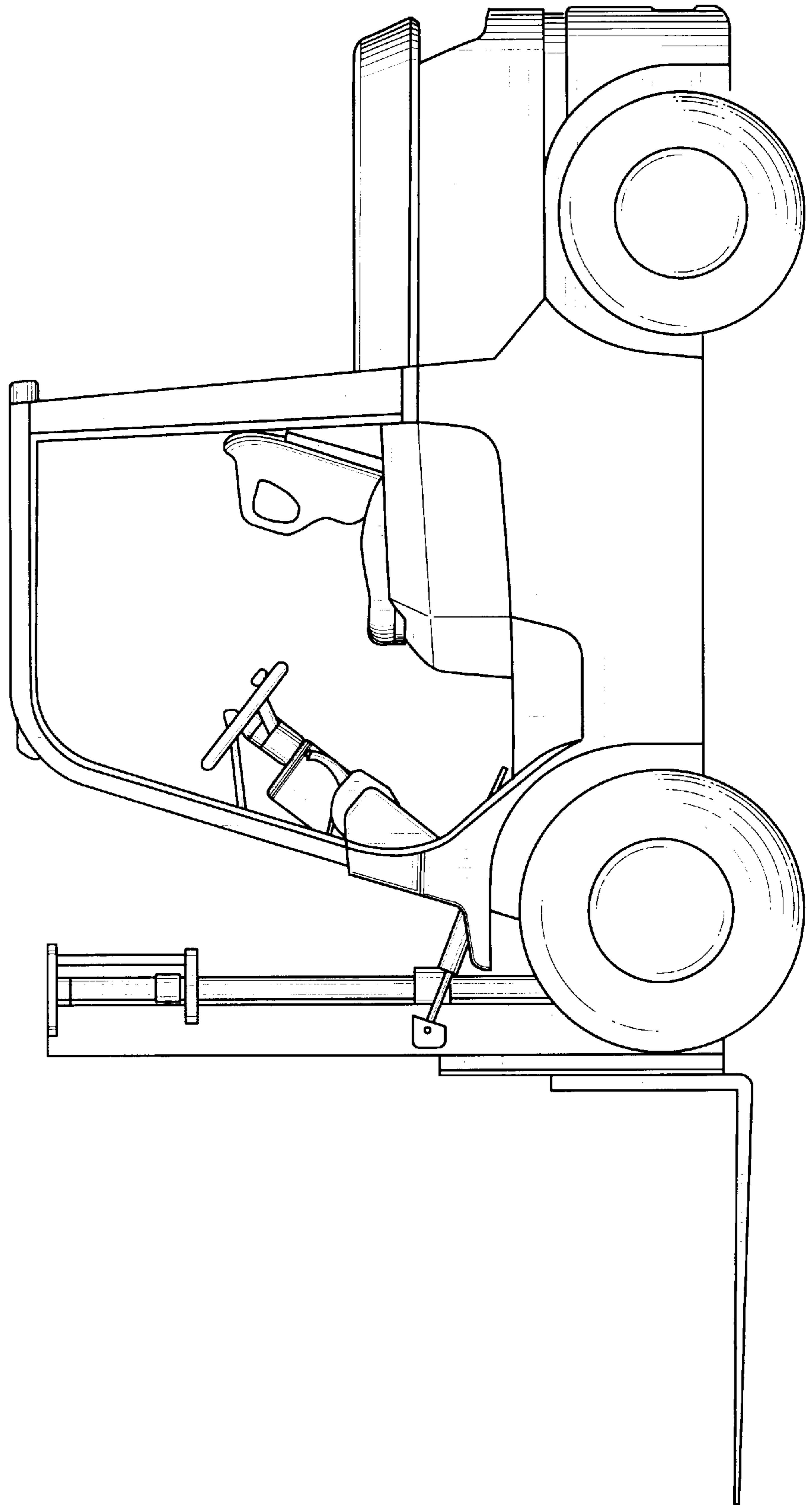
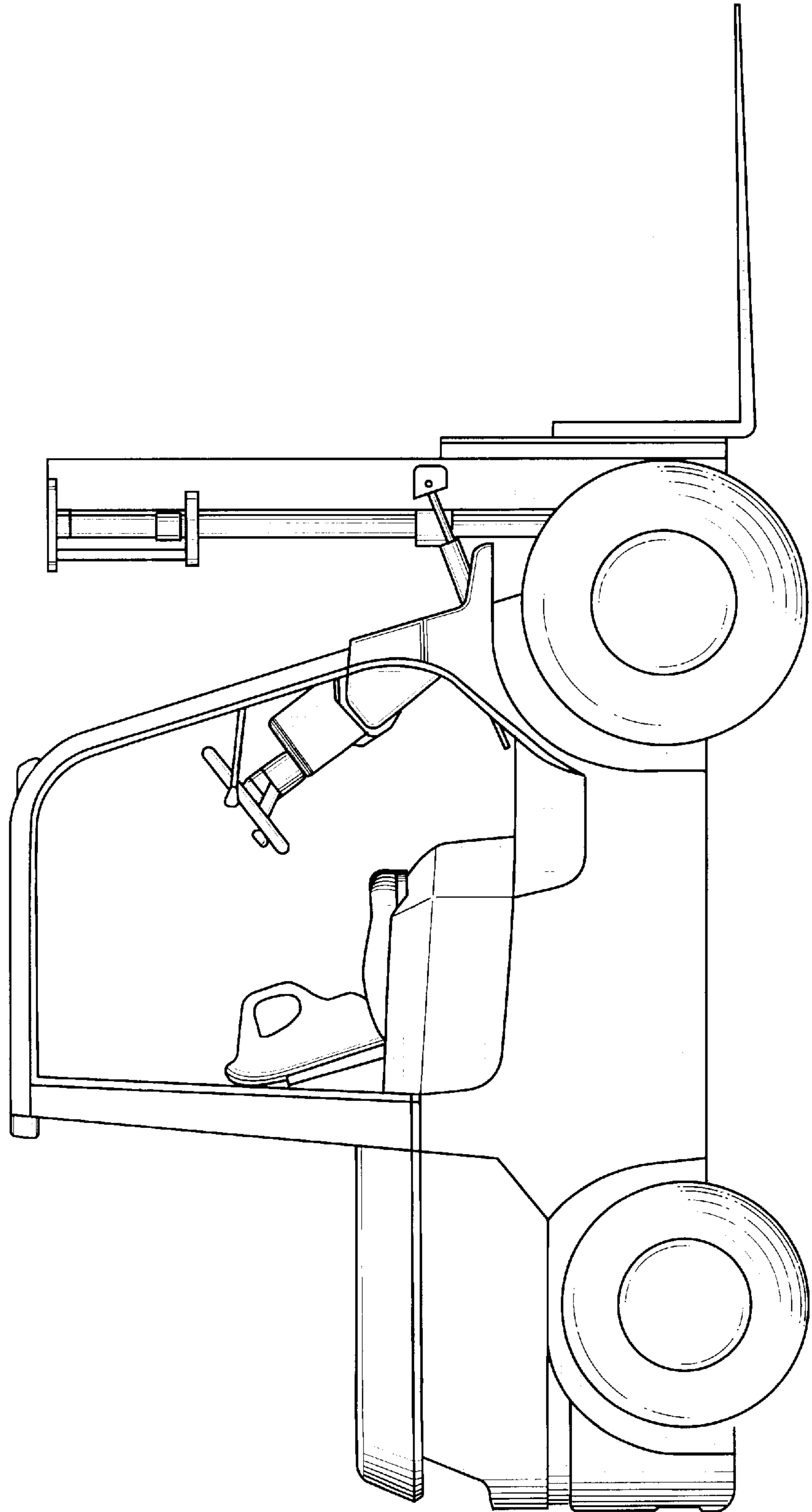


FIG. 14



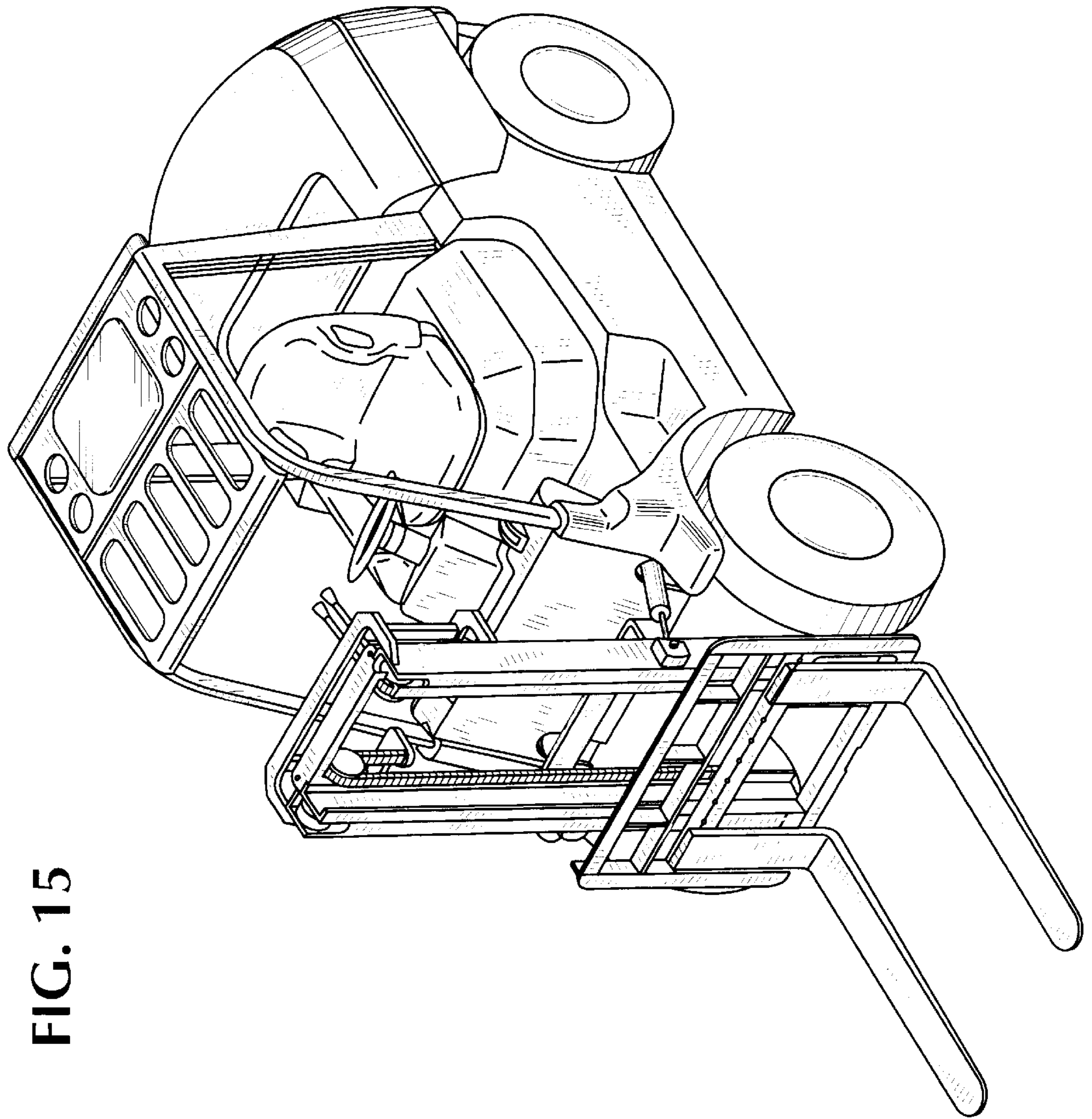


FIG. 15

FIG. 16

