



US00D427408S

United States Patent [19]

Daniels et al.

[11] Patent Number: **Des. 427,408**

[45] Date of Patent: **** Jun. 27, 2000**

[54] **WINCH HOUSING**

[75] Inventors: **Jeremy Daniels; Gary Payne**, both of Hastings; **Todd Yost**, Glenvil, all of Nebr.

[73] Assignee: **Dutton-Lainson Company**, Hastings, Nebr.

[**] Term: **14 Years**

[21] Appl. No.: **29/108,805**

[22] Filed: **Aug. 3, 1999**

[51] **LOC (7) Cl.** **12-05**

[52] **U.S. Cl.** **D34/33**

[58] **Field of Search** D34/33, 34, 35, D34/37; 254/342, 266, 267, 264, 265, 323

[56] **References Cited**

U.S. PATENT DOCUMENTS

| | | | | |
|------------|---------|----------------|-------|---------|
| D. 151,974 | 12/1948 | Gambardella | | D34/31 |
| D. 153,013 | 3/1949 | Parker | | D34/33 |
| D. 243,940 | 4/1977 | Kuzarov | | D34/33 |
| D. 277,992 | 3/1985 | Tupper | | D34/28 |
| D. 304,119 | 10/1989 | Lyall et al. | | D34/33 |
| 2,379,838 | 7/1945 | Banzhaf et al. | | 254/342 |
| 2,761,650 | 9/1956 | Faugier | | 254/342 |
| 3,222,742 | 12/1965 | Persiaux | | 254/432 |

| | | | | |
|-----------|---------|-----------------|-------|-----------|
| 3,485,478 | 12/1969 | Desplats et al. | | 254/266 |
| 3,916,487 | 11/1975 | Rinio | | 254/342 |
| 5,678,452 | 10/1997 | Frazier | | 254/342 X |

OTHER PUBLICATIONS

Fulton Performance Products, Inc., Mosinee, Wisconsin, Brochure XLT Series Trailer Winch dated Aug. 1996.

Primary Examiner—Alan P. Douglas
Assistant Examiner—Cynthia E Ramirez
Attorney, Agent, or Firm—Banner & Witcoff, Ltd.

[57] **CLAIM**

The ornamental design for a winch housing, as shown and described.

DESCRIPTION

FIG. 1 is an isometric view of the housing;
FIG. 2 is a top plan view;
FIG. 3 is an end view;
FIG. 4 is a view of the other end;
FIG. 5 is a side elevational view; and,
FIG. 6 is the other side elevational view; and,
FIG. 7 is a bottom plan view.
The broken line showing of the hardware in FIGS. 1, 2 and 6 is for illustrative purposes only and forms no part of the claimed design.

1 Claim, 3 Drawing Sheets

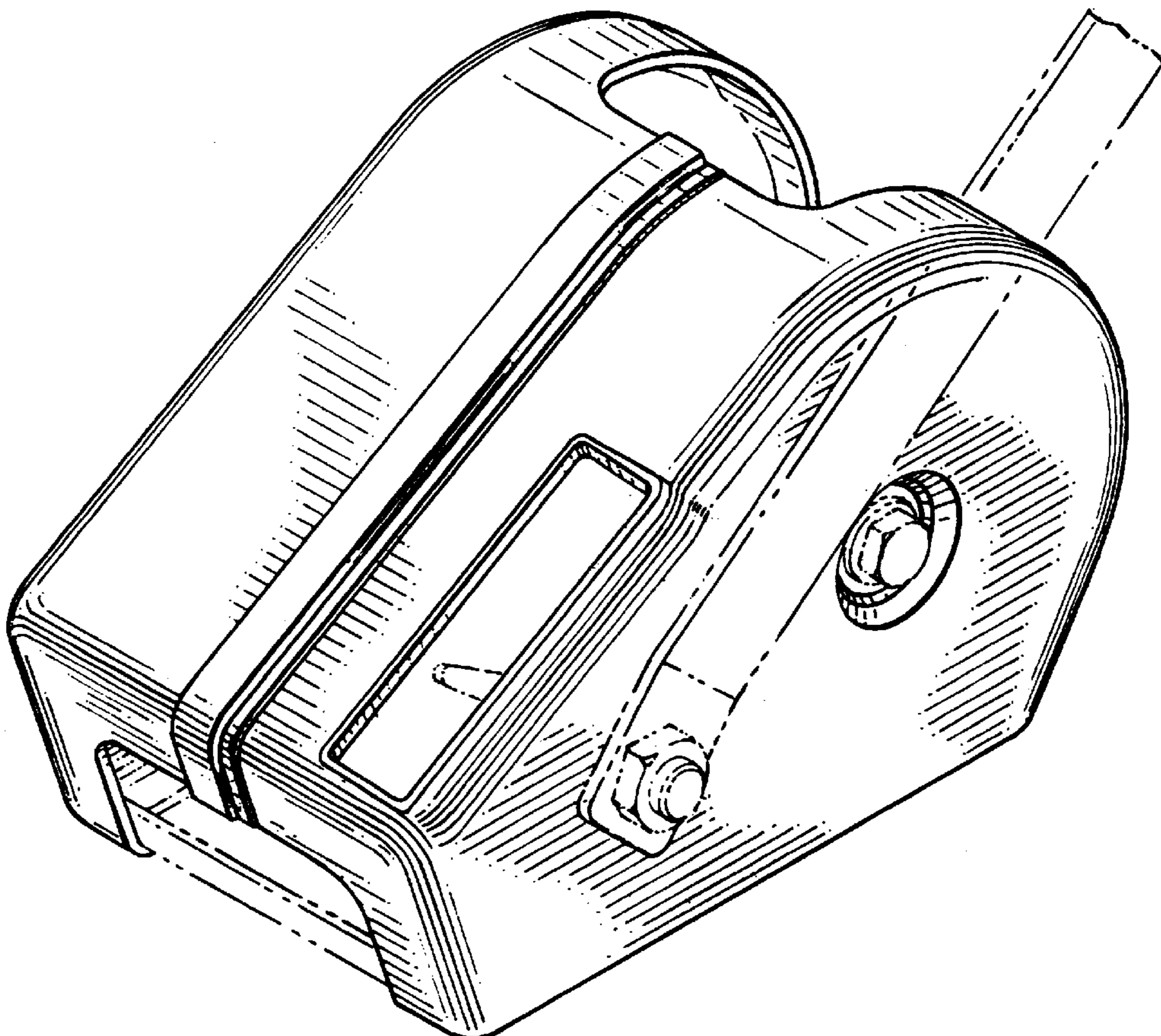


FIG.1

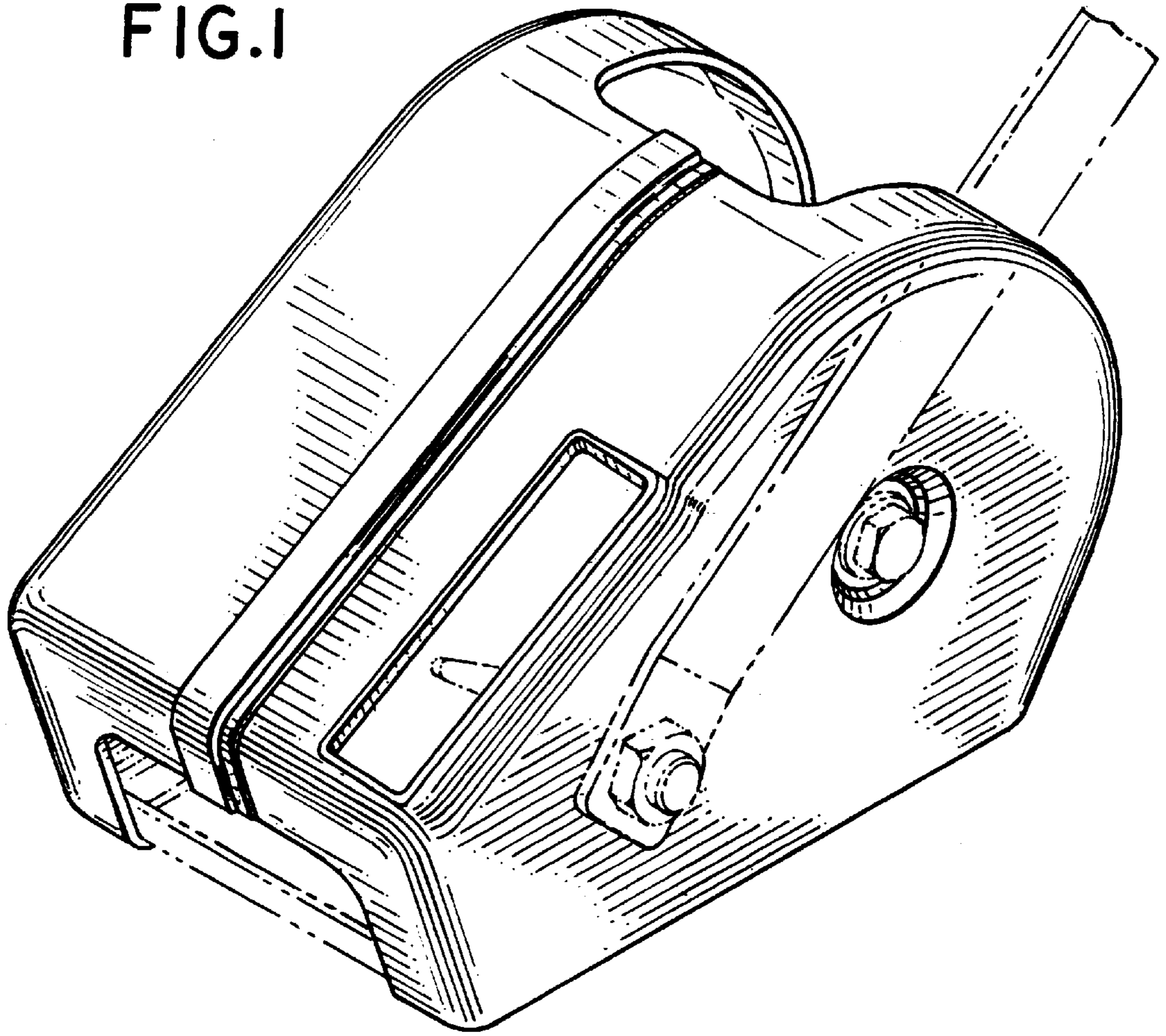


FIG.2

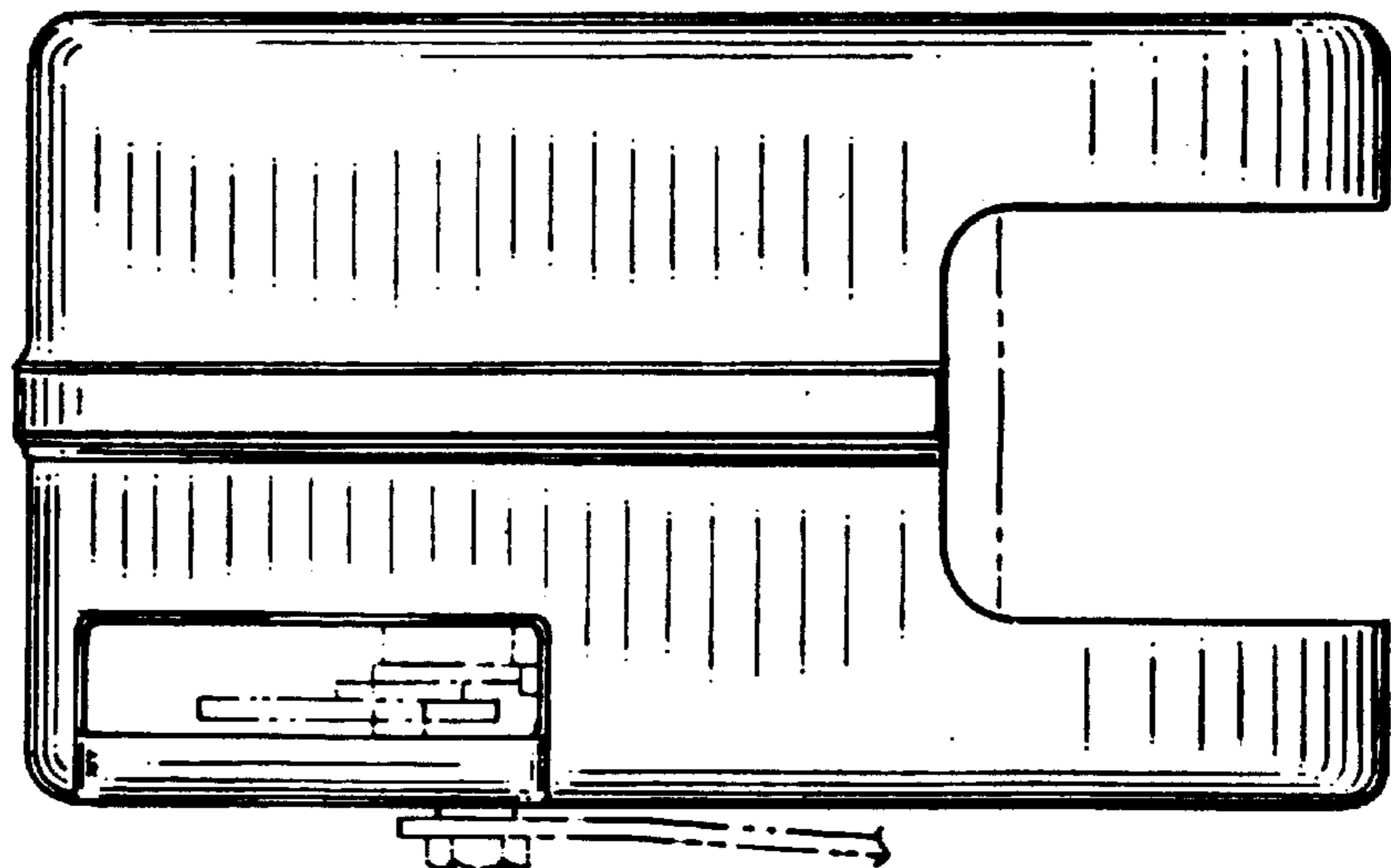


FIG.3

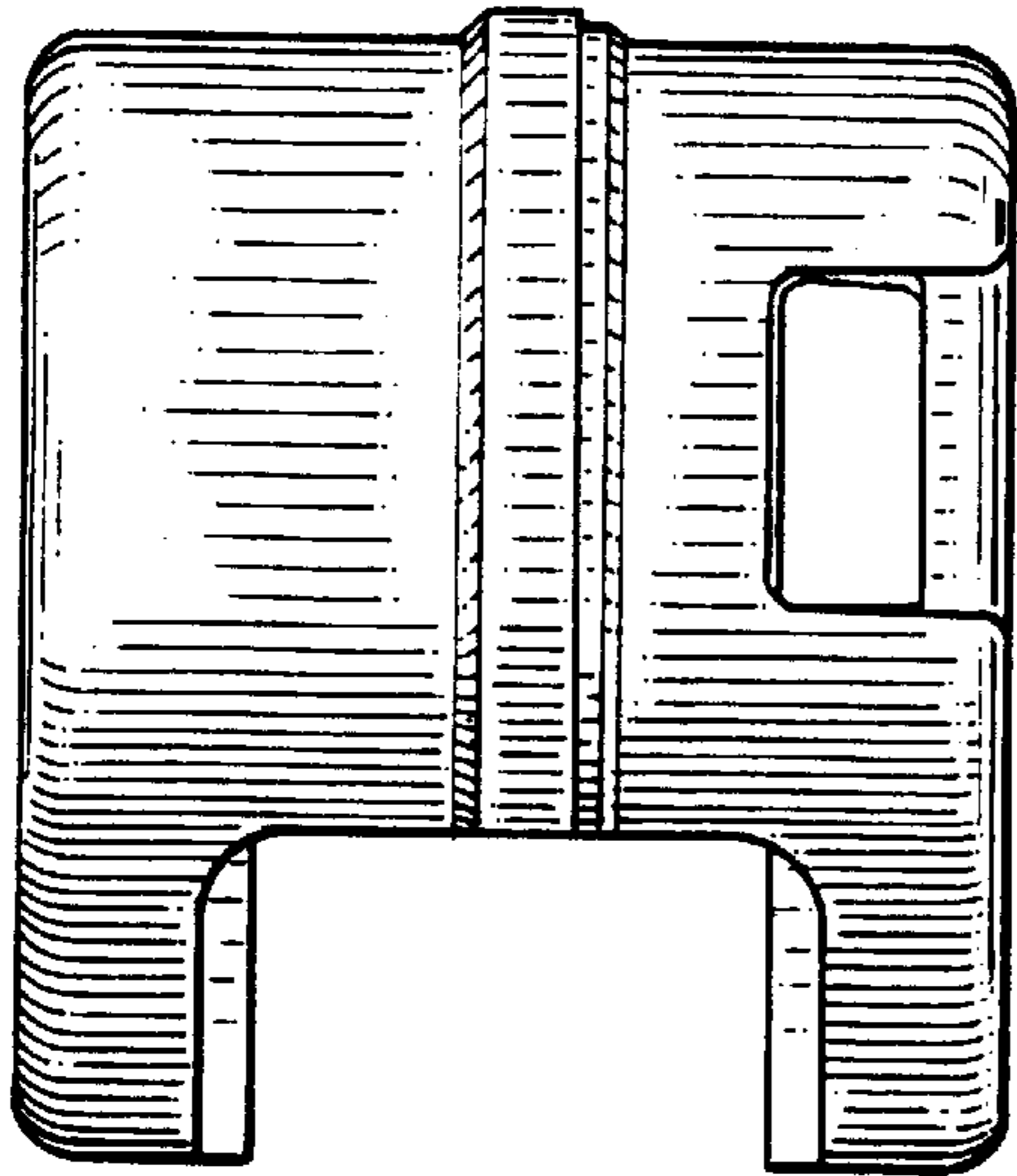


FIG.4

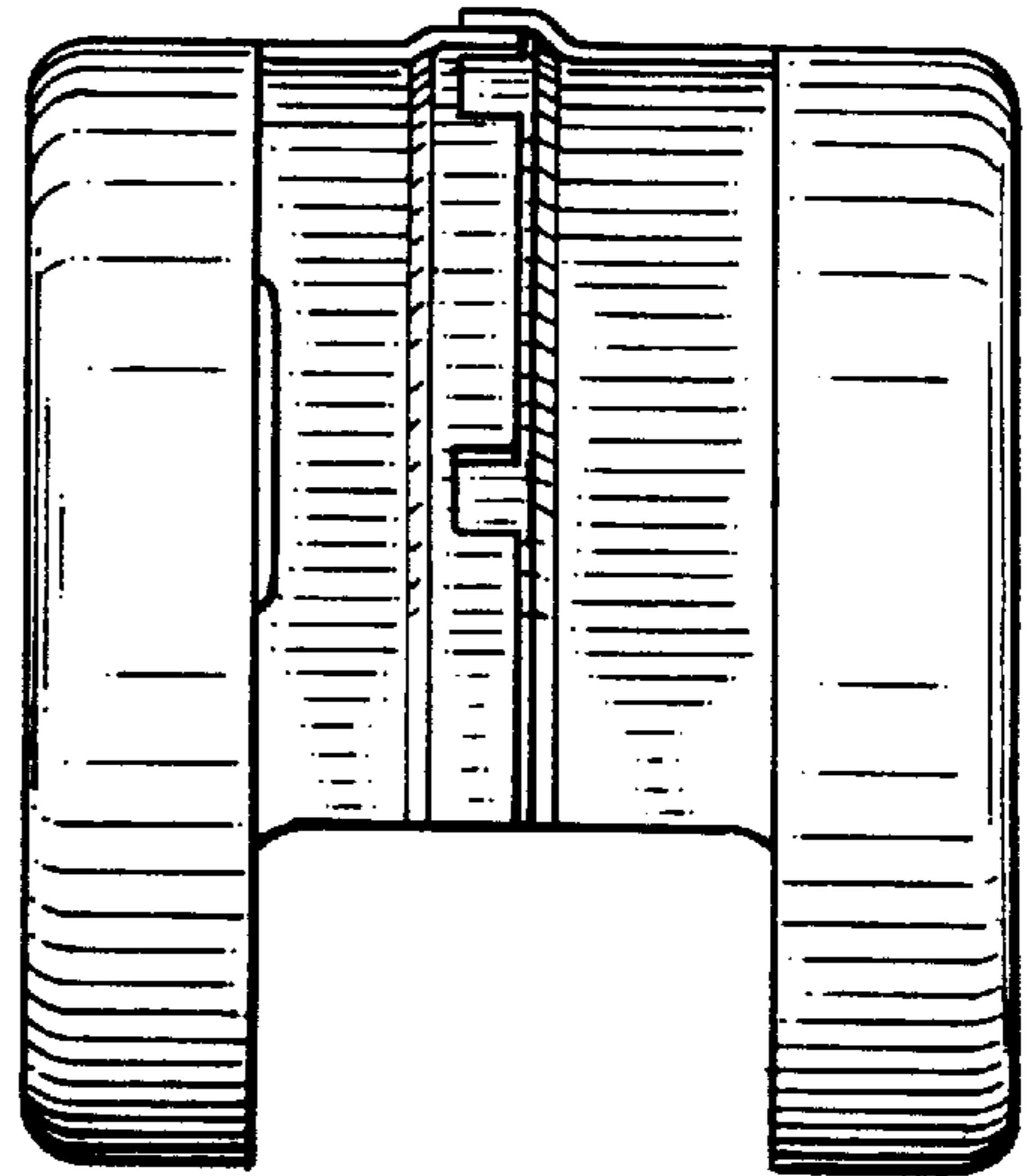


FIG.5

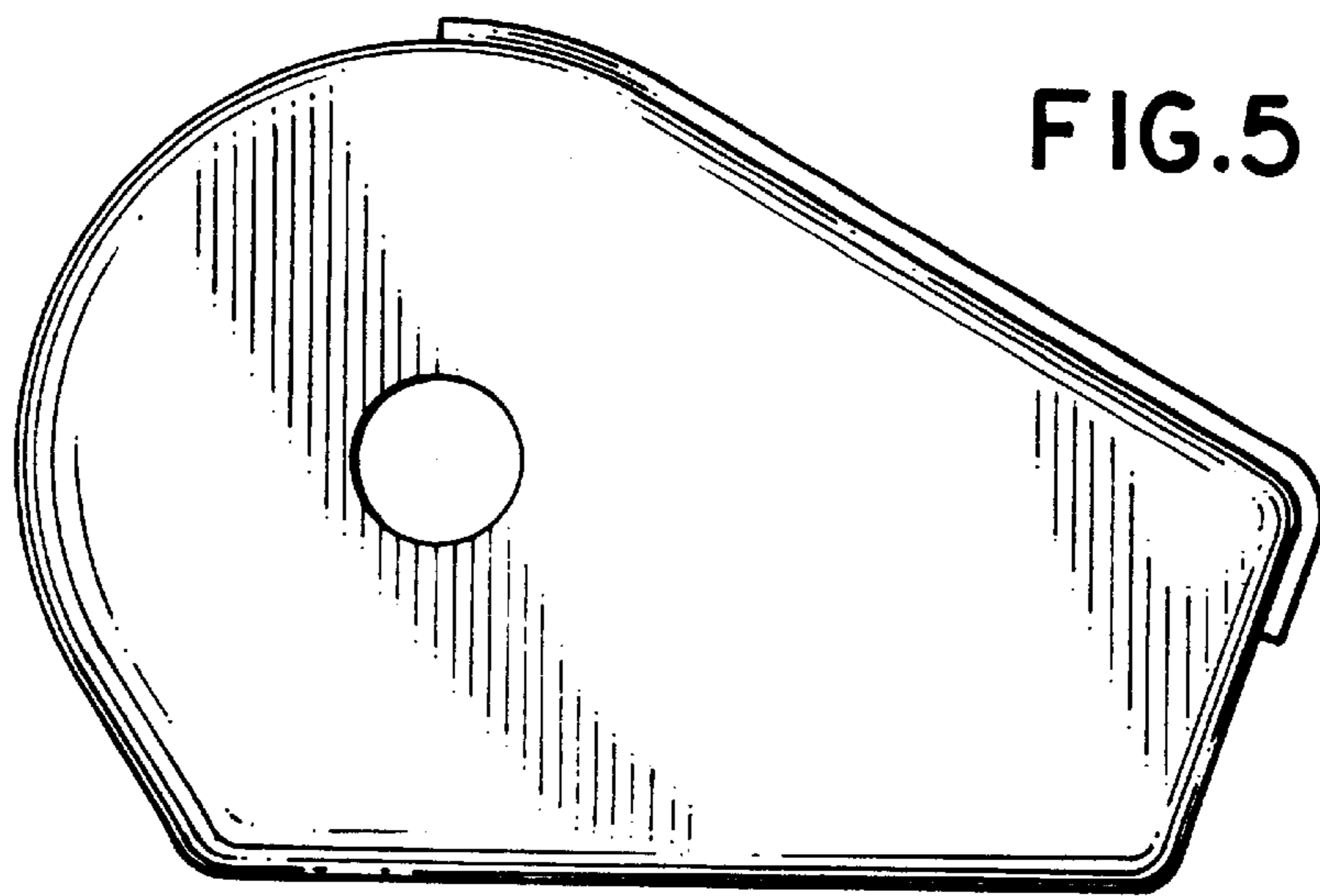


FIG. 6

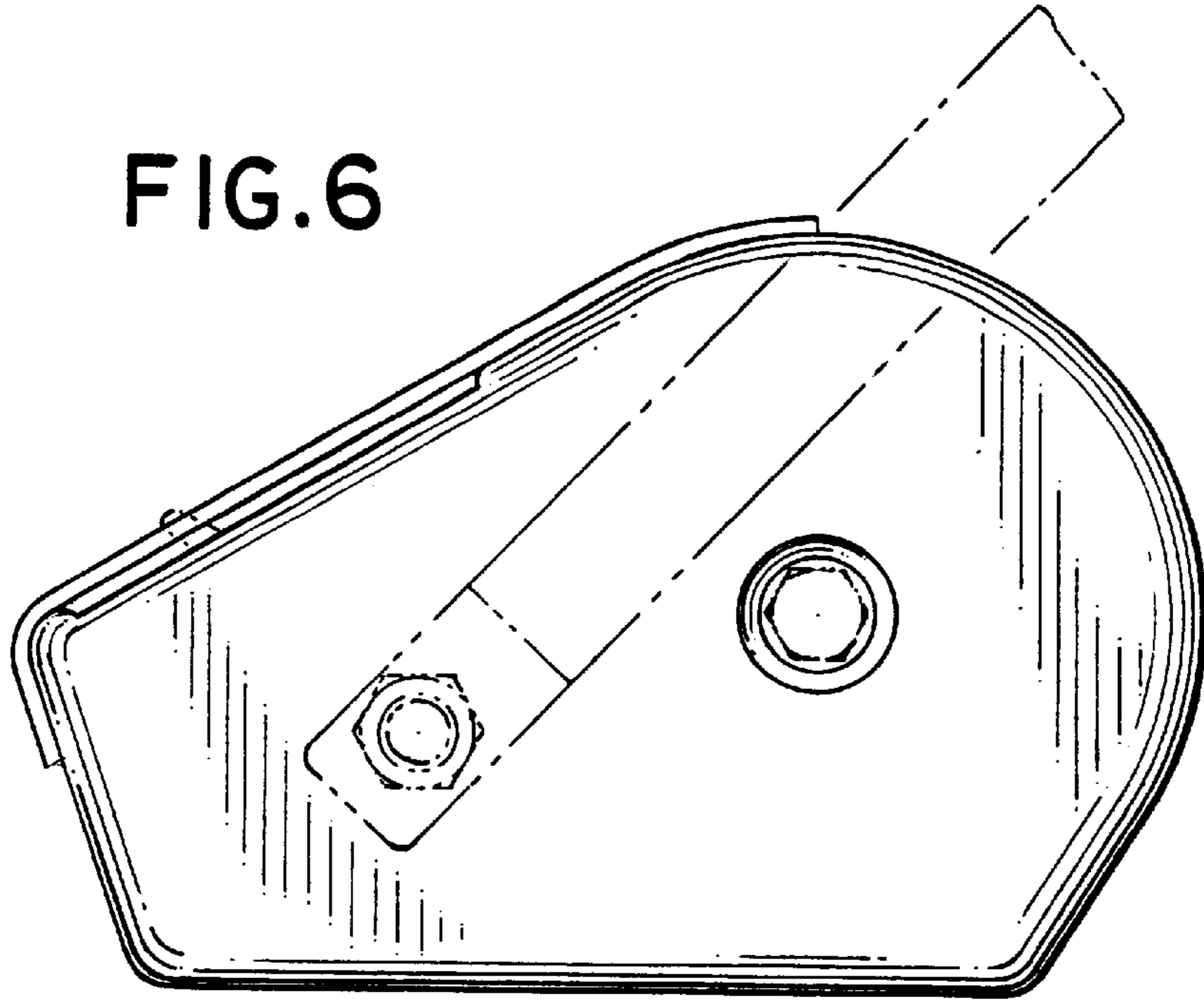


FIG. 7

