



US00D427407S

**United States Patent** [19]  
**Witt**

[11] **Patent Number: Des. 427,407**

[45] **Date of Patent: \*\* Jun. 27, 2000**

[54] **BOAT CARRIER**

D. 358,920 5/1995 Peterman ..... D34/24  
5,207,441 5/1993 Granbery ..... 280/204

[75] Inventor: **Brian G. Witt**, Winona Lake, Ind.

[73] Assignee: **Paddleboy Designs, LLC**, Winona Lake, Ind.

*Primary Examiner*—Kay H. Chin  
*Attorney, Agent, or Firm*—Taylor & Aust, P.C.

[\*\*] Term: **14 Years**

[57] **CLAIM**

The ornamental design for a boat carrier, as shown and described.

[21] Appl. No.: **29/108,504**

[22] Filed: **Jul. 28, 1999**

**DESCRIPTION**

[51] **LOC (7) Cl.** ..... **12-02**

[52] **U.S. Cl.** ..... **D34/24; D12/317**

[58] **Field of Search** ..... D24/12-27; 280/204,  
280/47.331, 414.1; 114/344; D12/317

FIG. 1 is a perspective view of a boat carrier showing my new design;

FIG. 2 is a side view thereof; the opposite side view being substantially identical;

FIG. 3 is a front view thereof;

FIG. 4 is a rear view thereof; and,

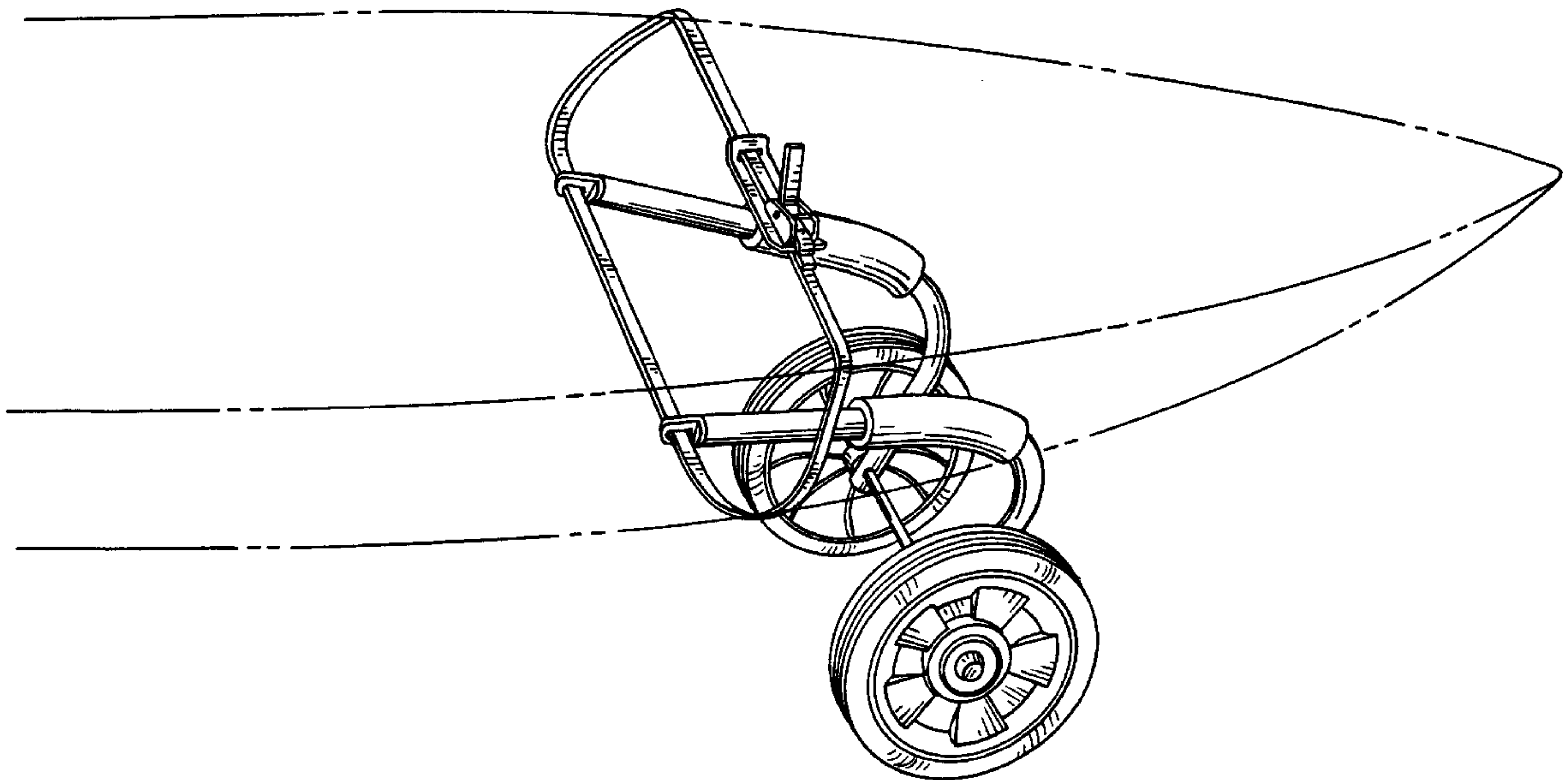
FIG. 5 is a top view thereof.

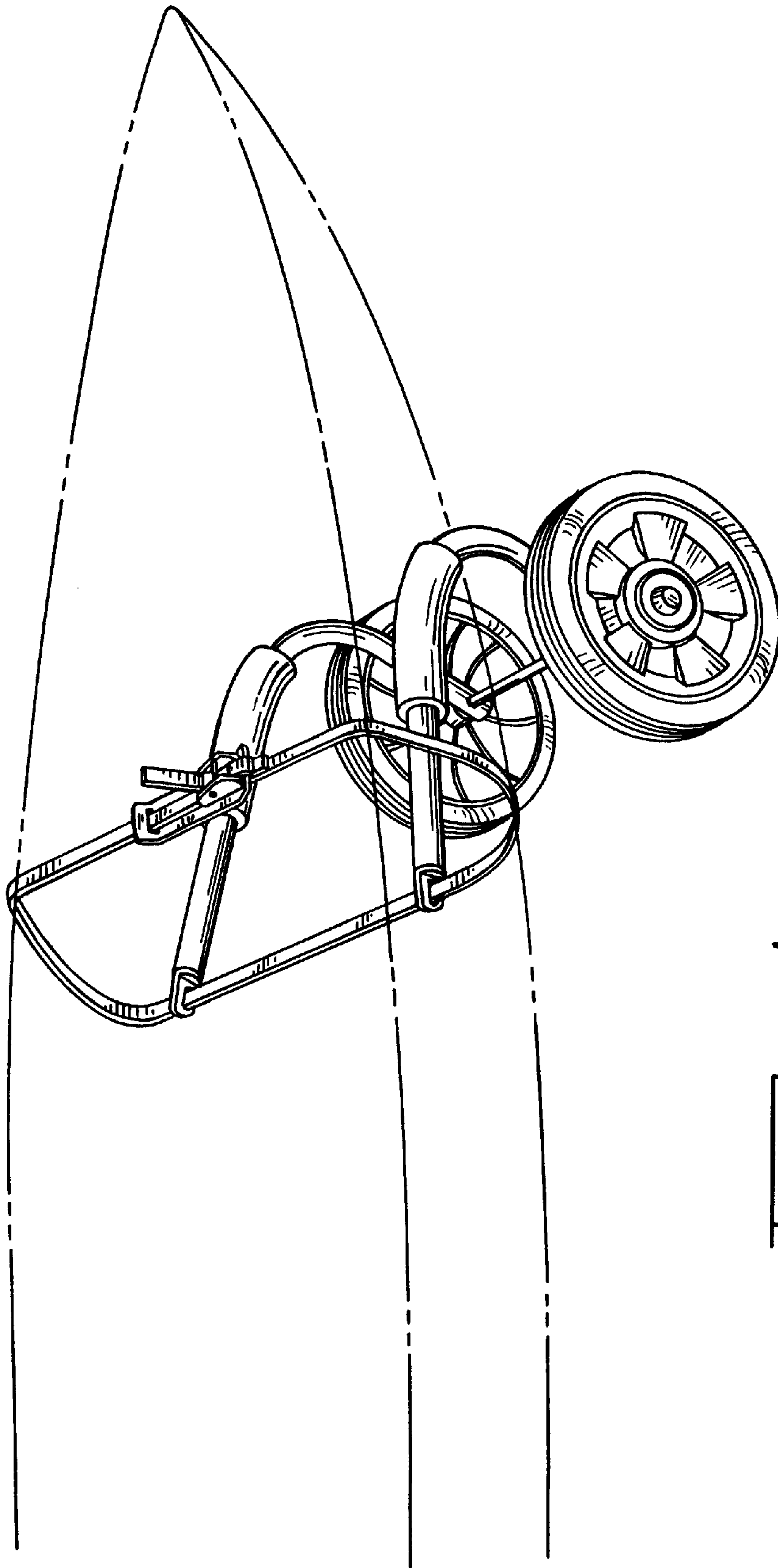
[56] **References Cited**

**U.S. PATENT DOCUMENTS**

D. 237,786 11/1975 Gilster ..... D34/24

**1 Claim, 3 Drawing Sheets**





1. FIG.

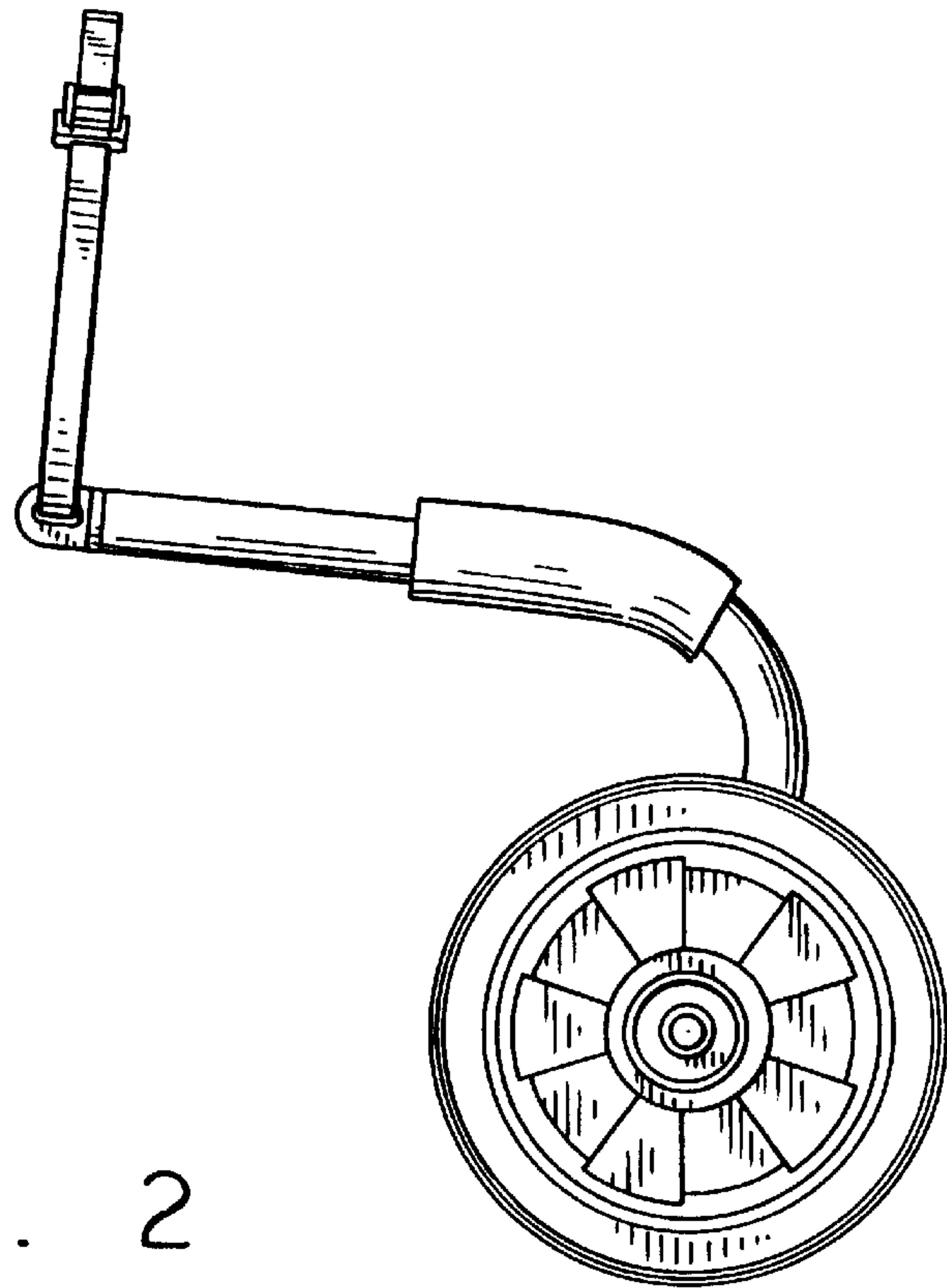


Fig. 2

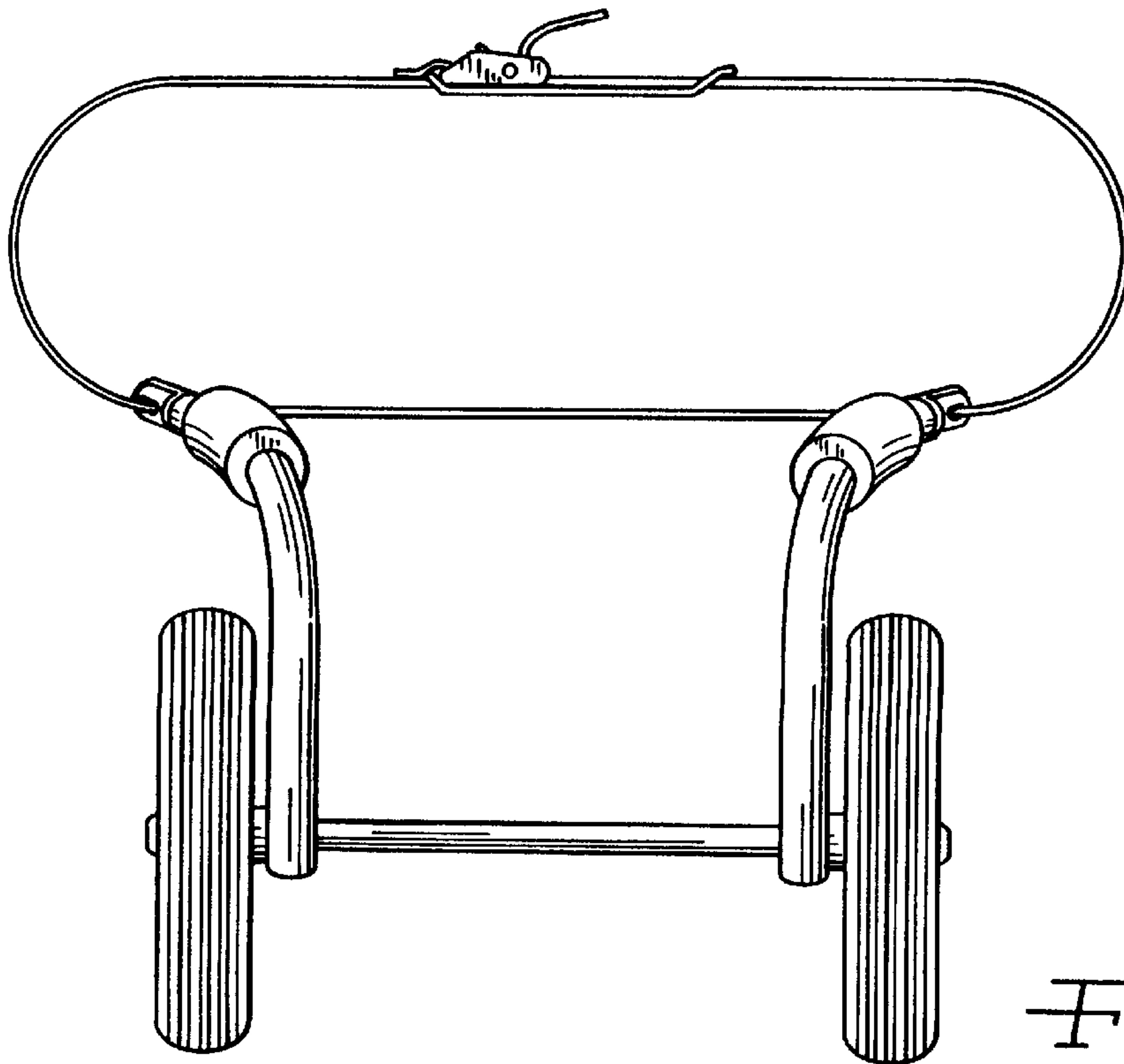


Fig. 3

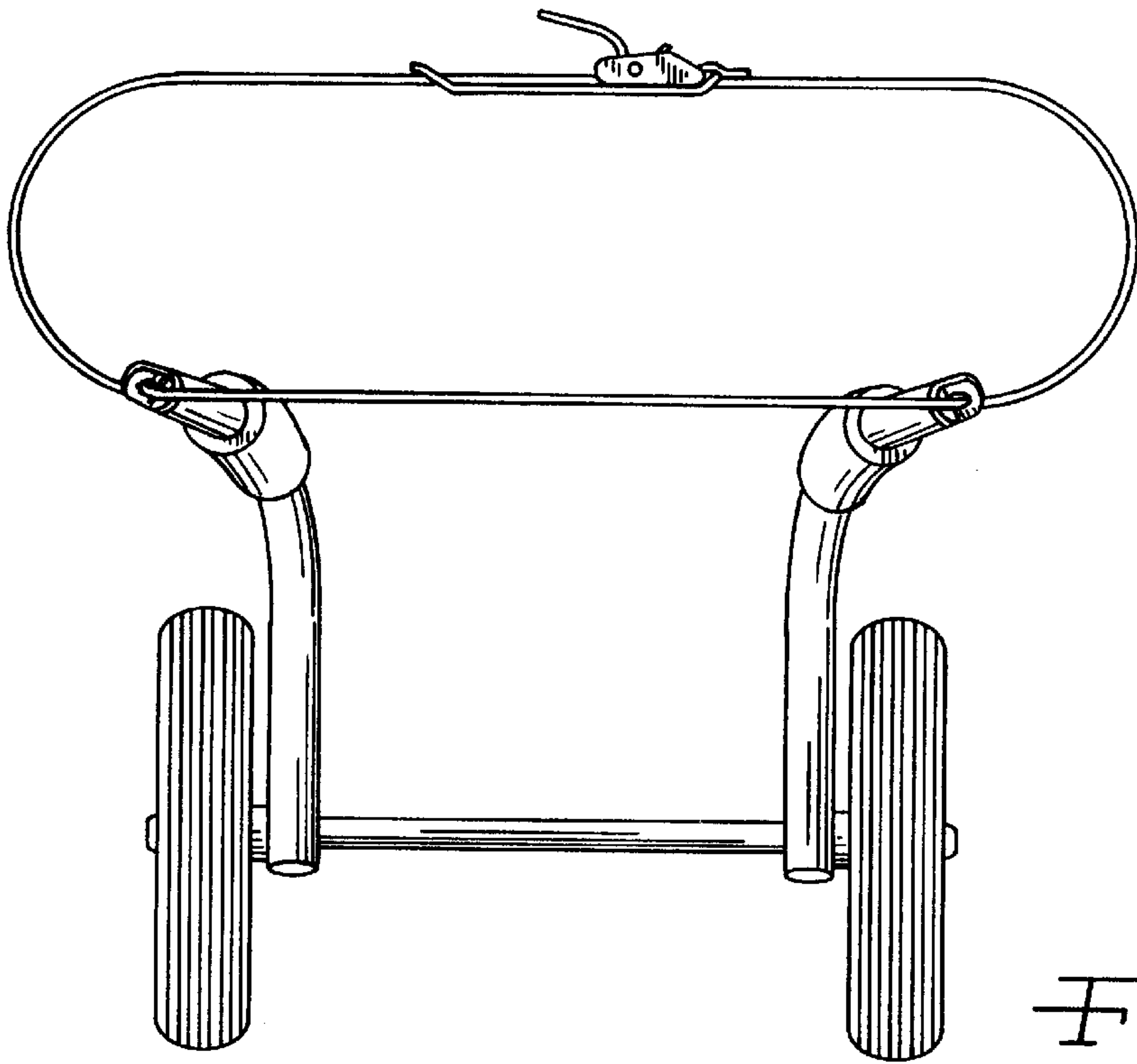


Fig. 4

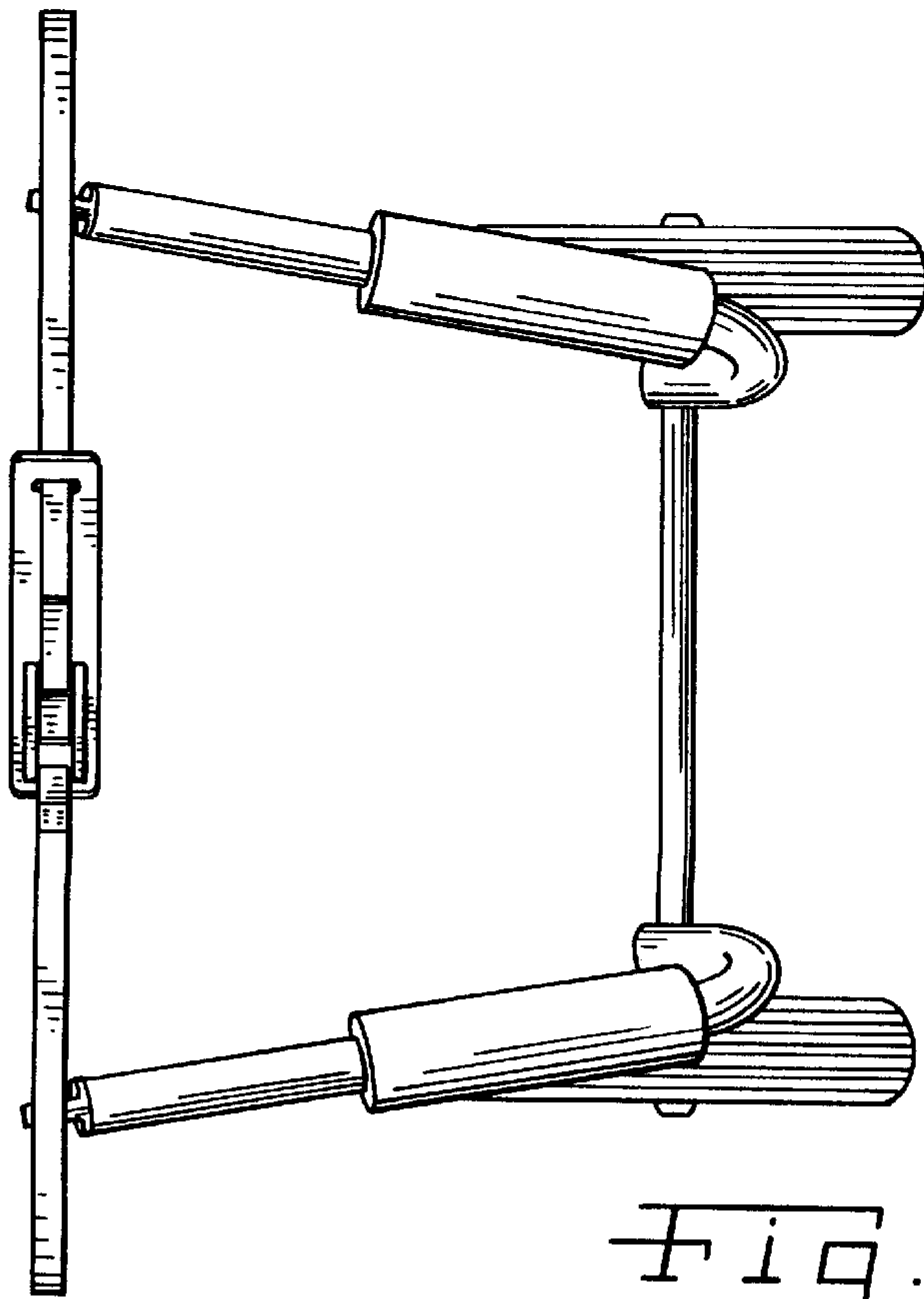


Fig. 5