



US00D427406S

United States Patent [19]
Hartwall

[11] **Patent Number: Des. 427,406**
[45] **Date of Patent: ** Jun. 27, 2000**

[54] **DOLLY**

OTHER PUBLICATIONS

[75] Inventor: **John Hartwall**, Söderkulla, Finland

Finnish Design Application No.: M19980845 filed Dec. 31, 1998.

[73] Assignee: **K. Hartwall Oy Ab**, Soderkulla, Finland

Primary Examiner—Kay H. Chin
Attorney, Agent, or Firm—Scully, Scott, Murphy & Presser

[**] Term: **14 Years**

[57] **CLAIM**

[21] Appl. No.: **29/107,774**

The ornamental design for a dolly, as shown and described.

[22] Filed: **Jul. 13, 1999**

DESCRIPTION

[51] **LOC (7) Cl.** **12-02**

FIG. 1 is a perspective top view of a dolly showing my new design;

[52] **U.S. Cl.** **D34/23; D34/12**

FIG. 2 is a perspective bottom view thereof;

[58] **Field of Search** D34/12-27; 280/79.11, 280/79.2, 79.3, 79.4, 763.1; 248/129

FIG. 3 is a front view thereof;

FIG. 4 is a side view of one side thereof, the other side being a mirror image;

[56] **References Cited**

U.S. PATENT DOCUMENTS

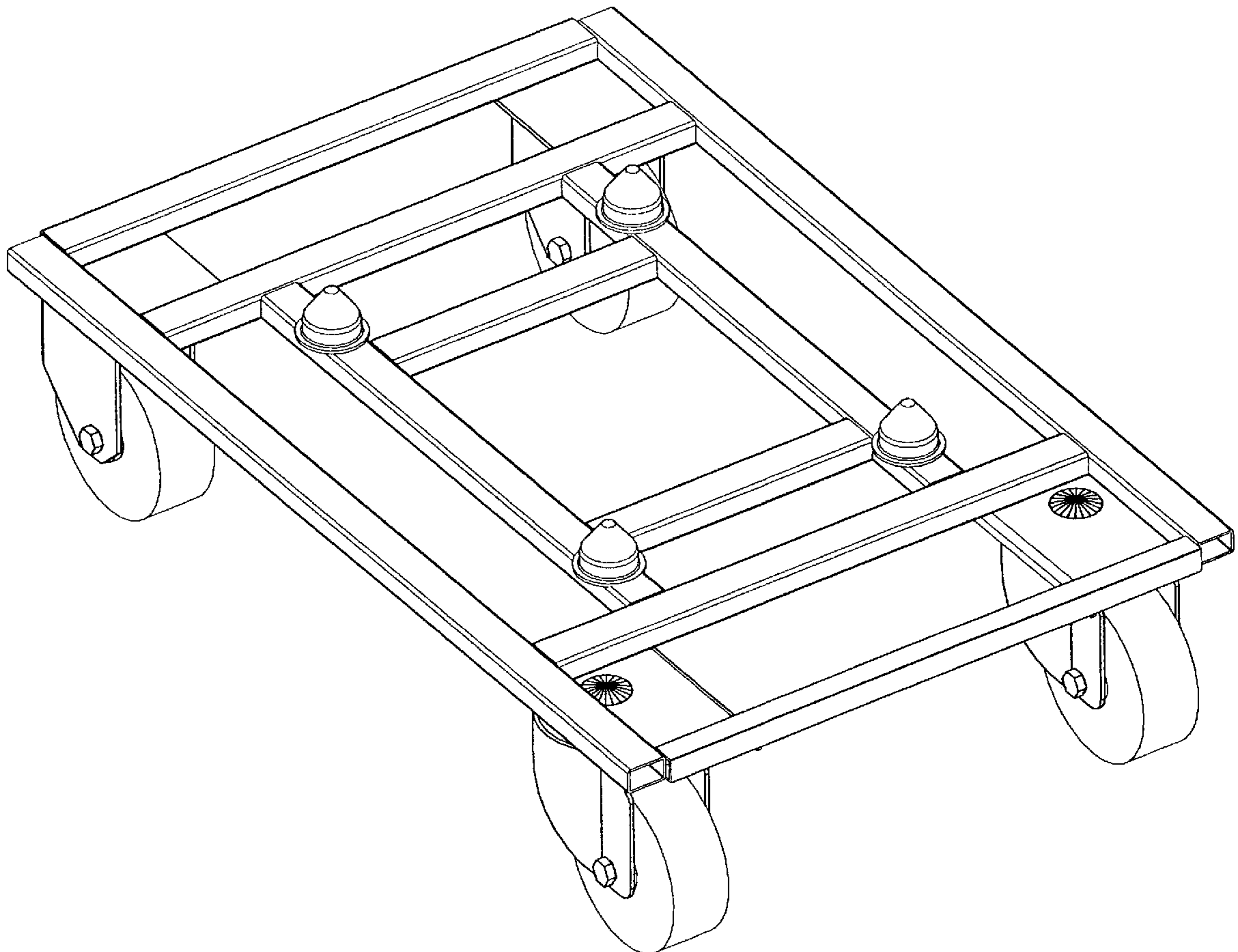
D. 335,374	5/1993	Schulze et al.	D34/23
D. 340,562	10/1993	Kean et al.	D34/23
D. 348,132	6/1994	McCoy et al.	D34/23
5,035,445	7/1991	Poulin	280/763.1

FIG. 5 is a rear view thereof;

FIG. 6 is a top view thereof; and,

FIG. 7 is a bottom view thereof.

1 Claim, 7 Drawing Sheets



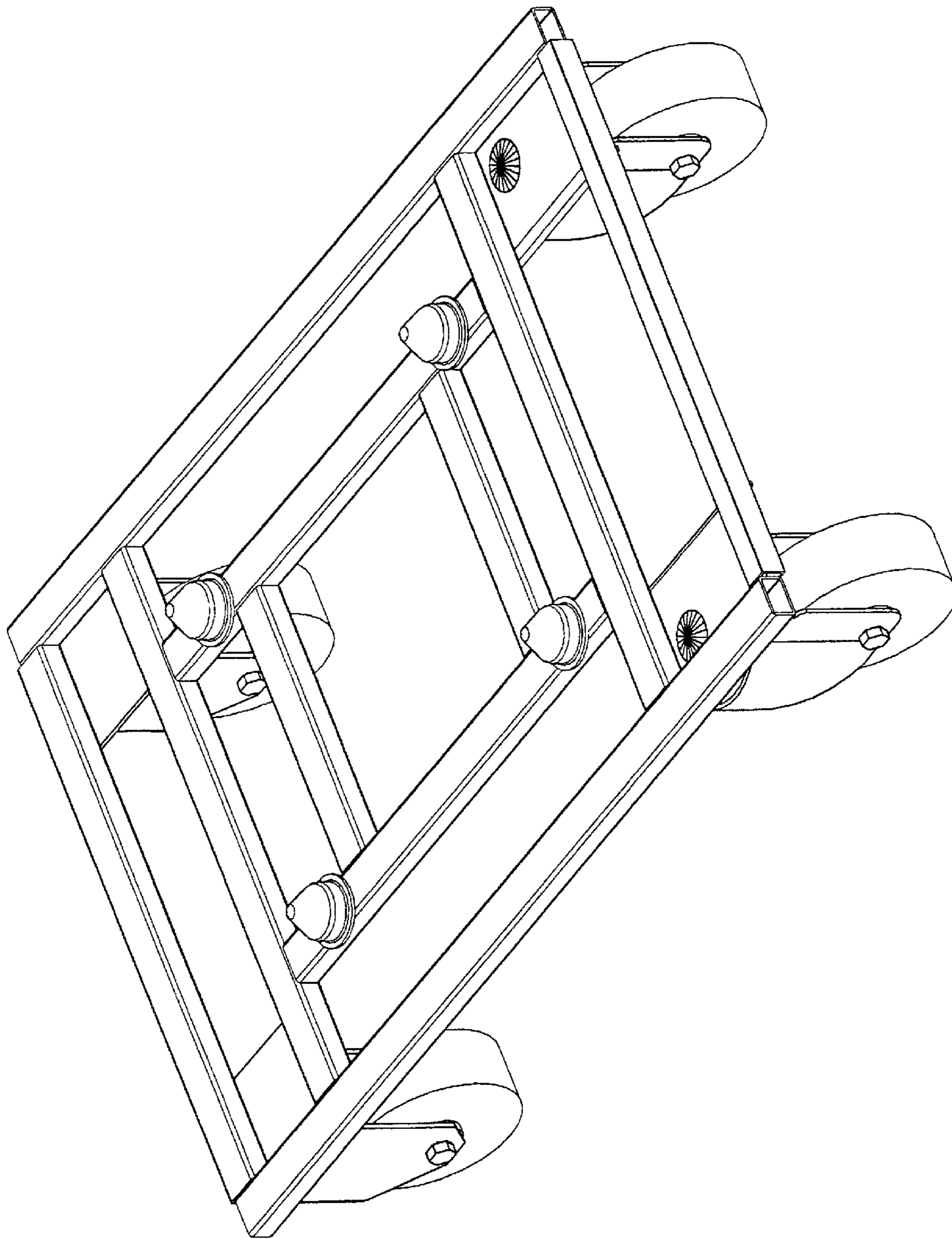


Fig. 1

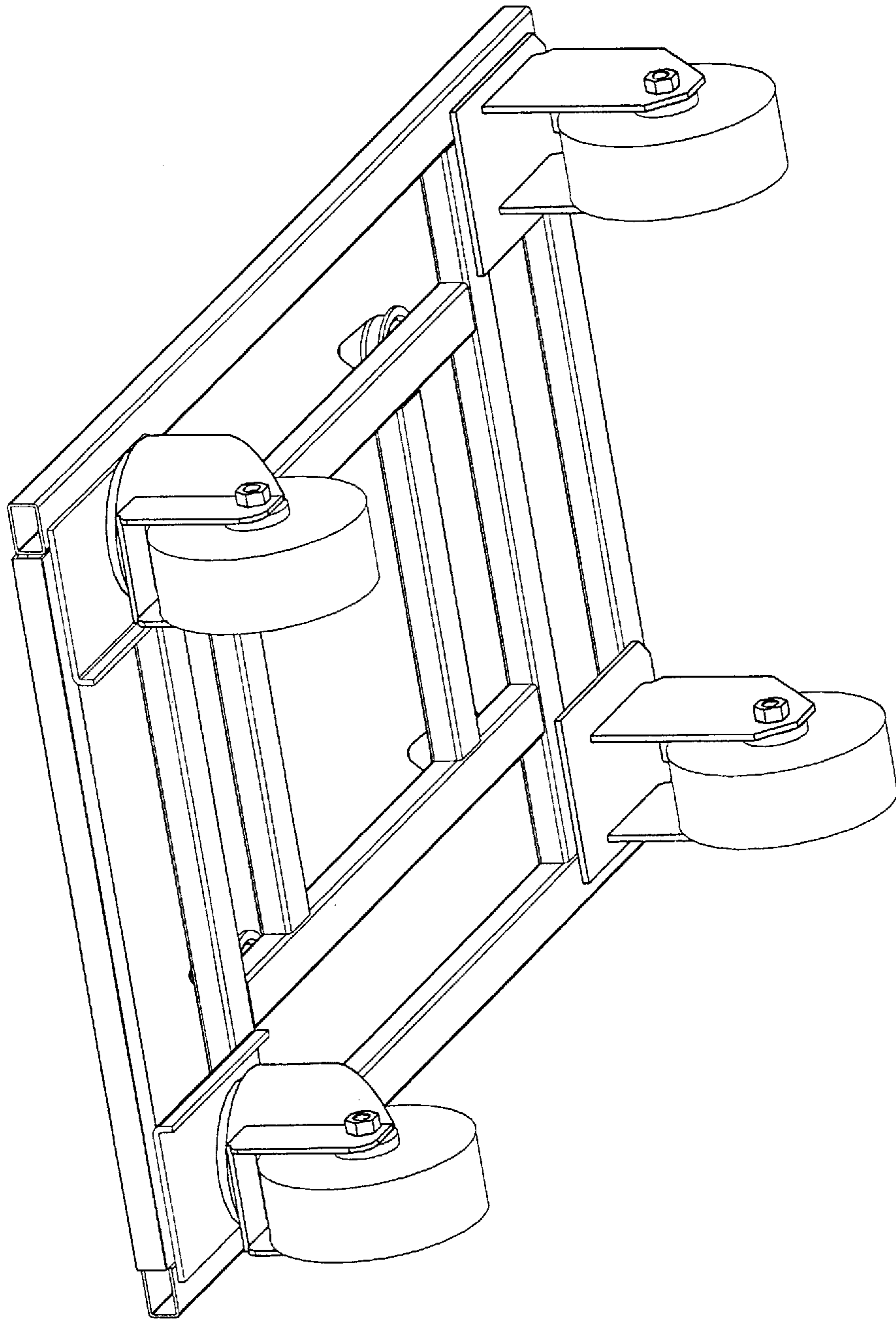


Fig. 2

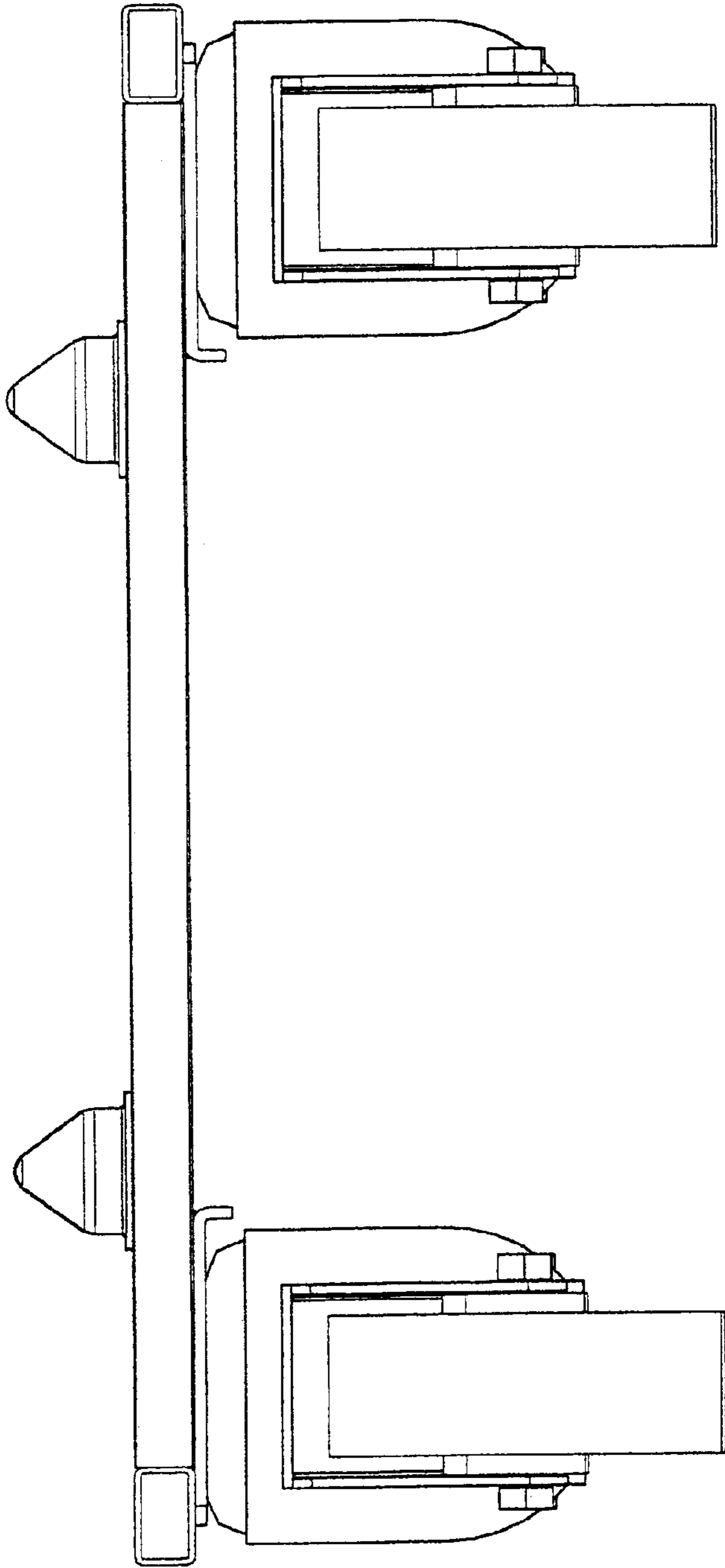


Fig. 3

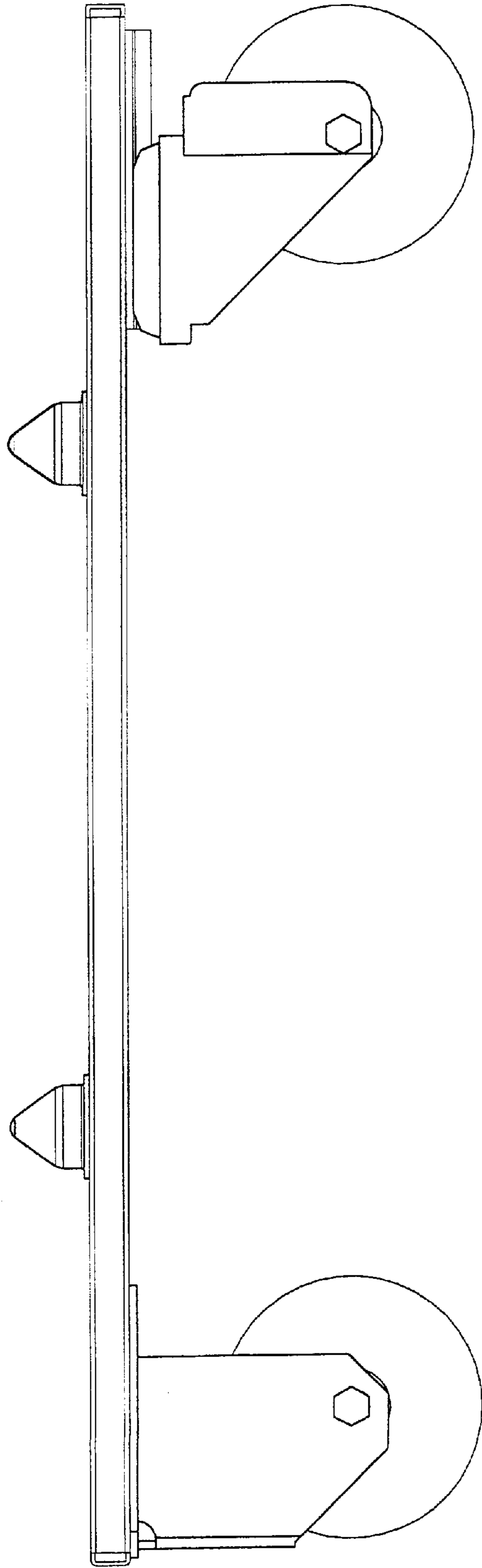


Fig. 4

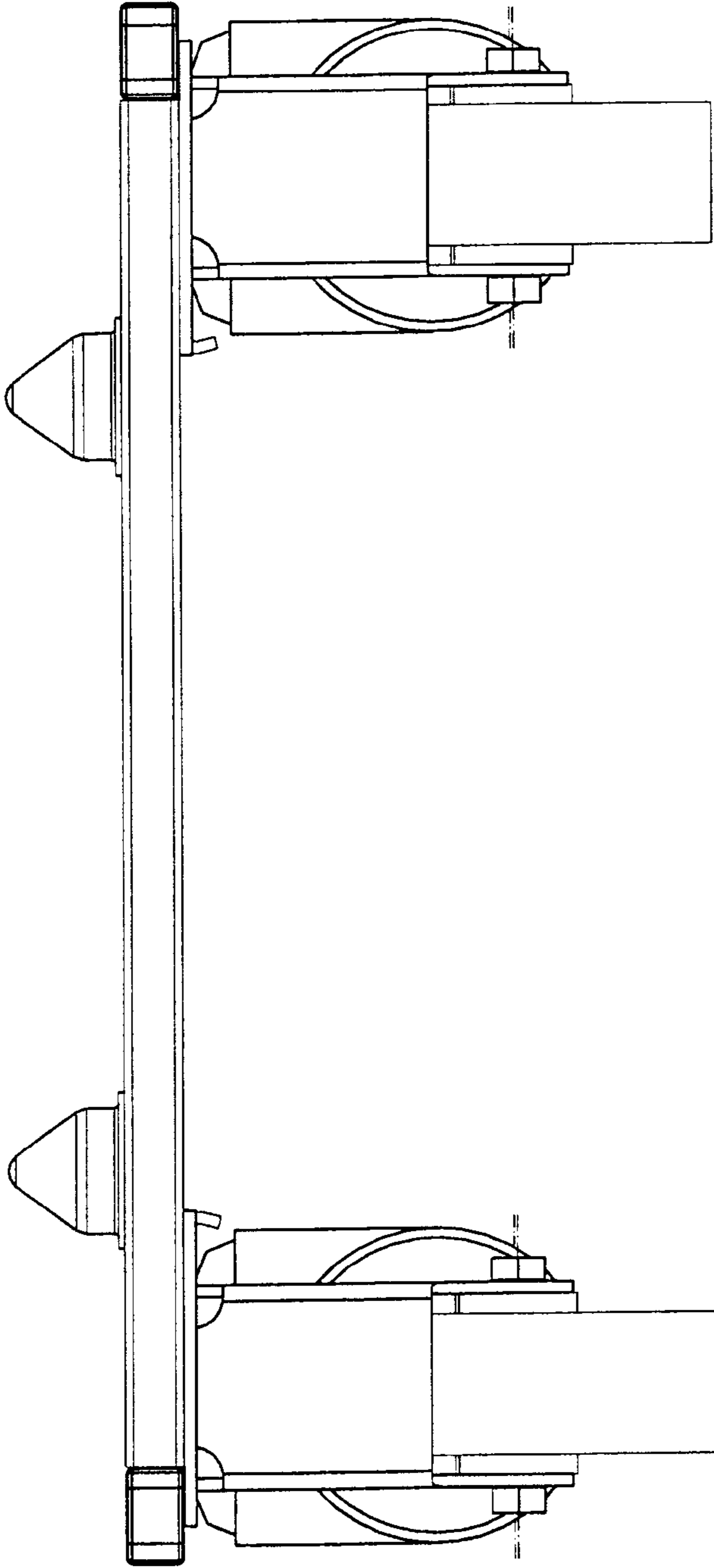


Fig. 5

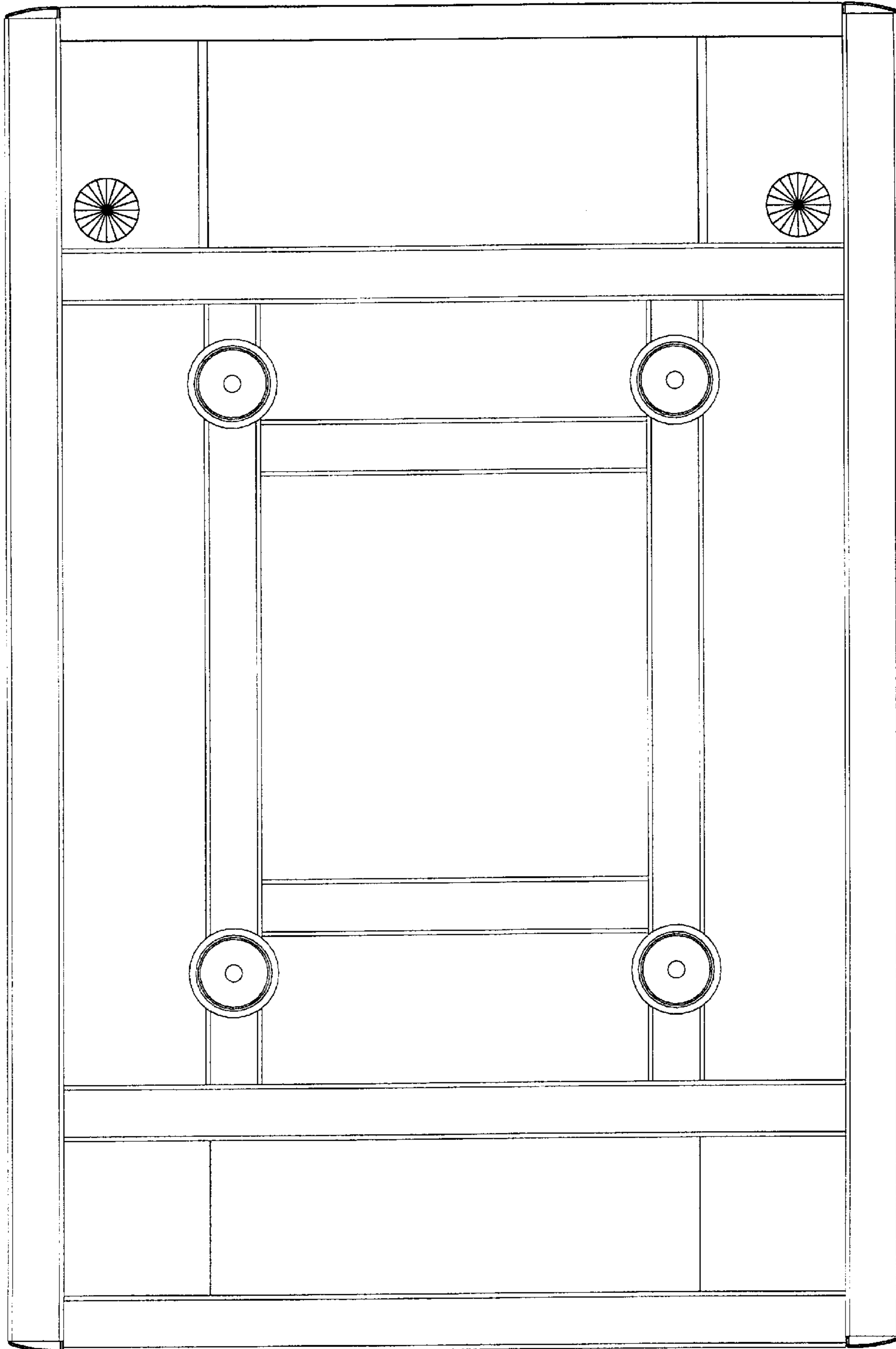


Fig. 6

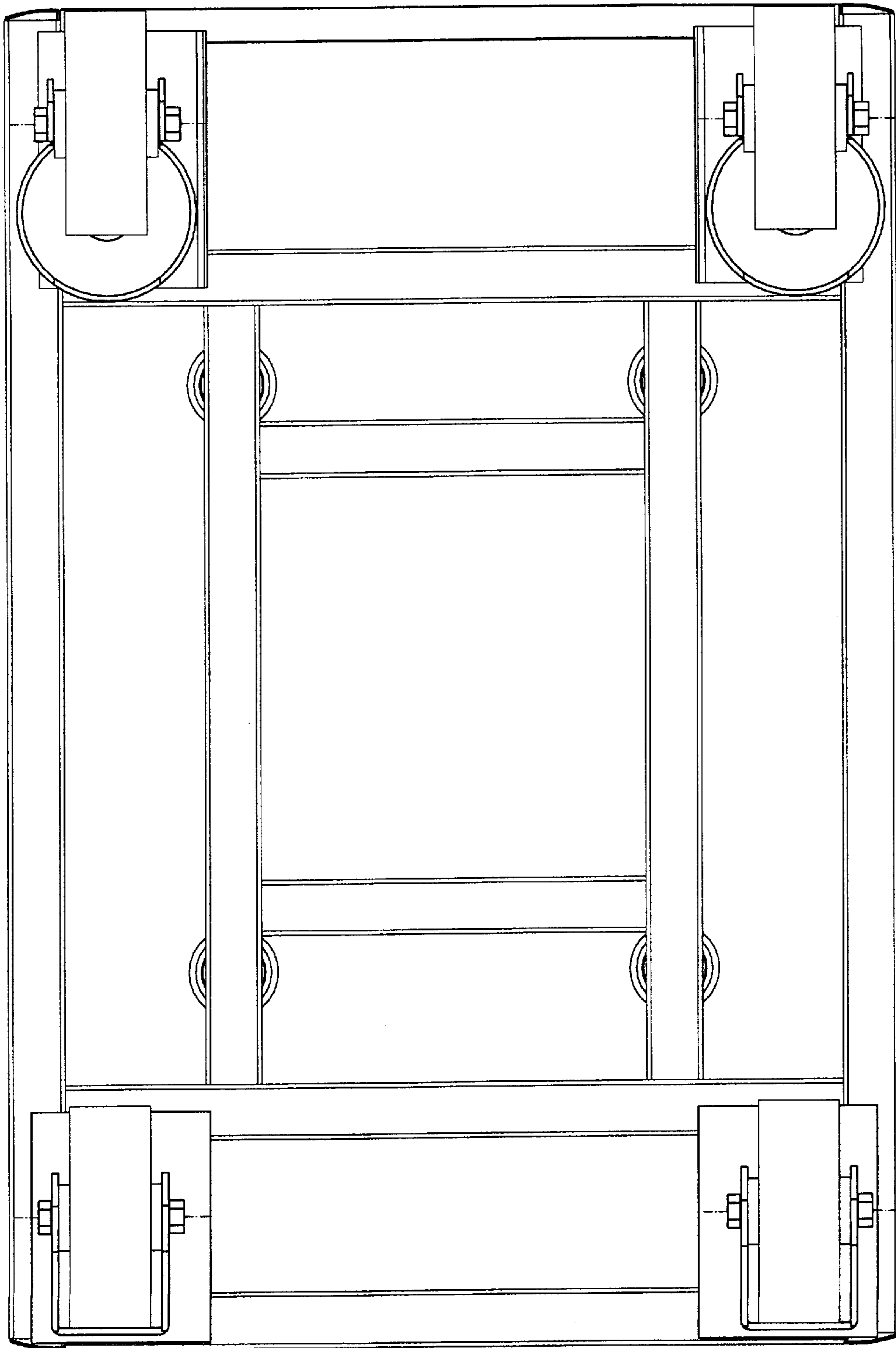


Fig. 7