



US00D427404S

United States Patent [19] Glass

[11] **Patent Number: Des. 427,404**

[45] **Date of Patent: ** Jun. 27, 2000**

[54] **CONFERENCE CART**

5,934,203 8/1999 Glass 108/156

[75] Inventor: **Peter Glass**, Napa, Calif.

Primary Examiner—Kay H. Chin
Attorney, Agent, or Firm—James E. Brunton

[73] Assignee: **Virco Mfg. Corporation**, Torrance, Calif.

[57] **CLAIM**

[**] Term: **14 Years**

The ornamental design for a “conference cart,” as shown.

[21] Appl. No.: **29/100,466**

DESCRIPTION

[22] Filed: **Feb. 11, 1999**

[51] **LOC (7) Cl.** **12-02**

[52] **U.S. Cl.** **D34/21; D34/19**

[58] **Field of Search** D34/12-27; D6/419,
D6/396, 432, 439; 108/156, 50.02; 248/188.8,
188.2, 188; 280/79.2, 47.35, 47.34, 659,
79.3

FIG. 1 is a generally perspective view of a conference cart showing my new design;

FIG. 2 is a front view thereof;

FIG. 3 is a rear view thereof;

FIG. 4 is a left side view thereof;

FIG. 5 is a right side view thereof;

FIG. 6 is a top view thereof; and,

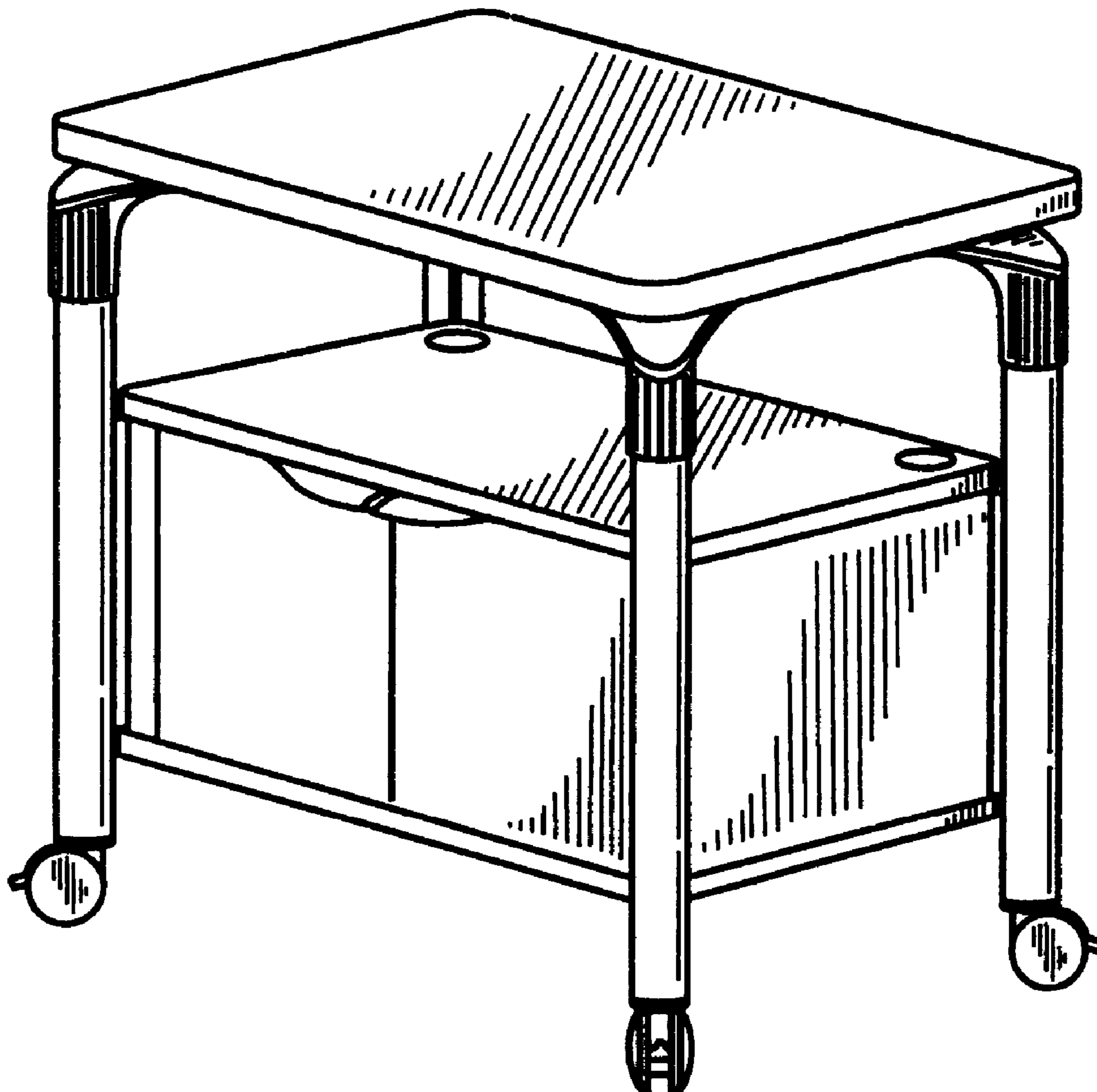
FIG. 7 is a bottom view thereof.

[56] **References Cited**

U.S. PATENT DOCUMENTS

D. 410,578 6/1999 Tisbo et al. D34/21

1 Claim, 2 Drawing Sheets



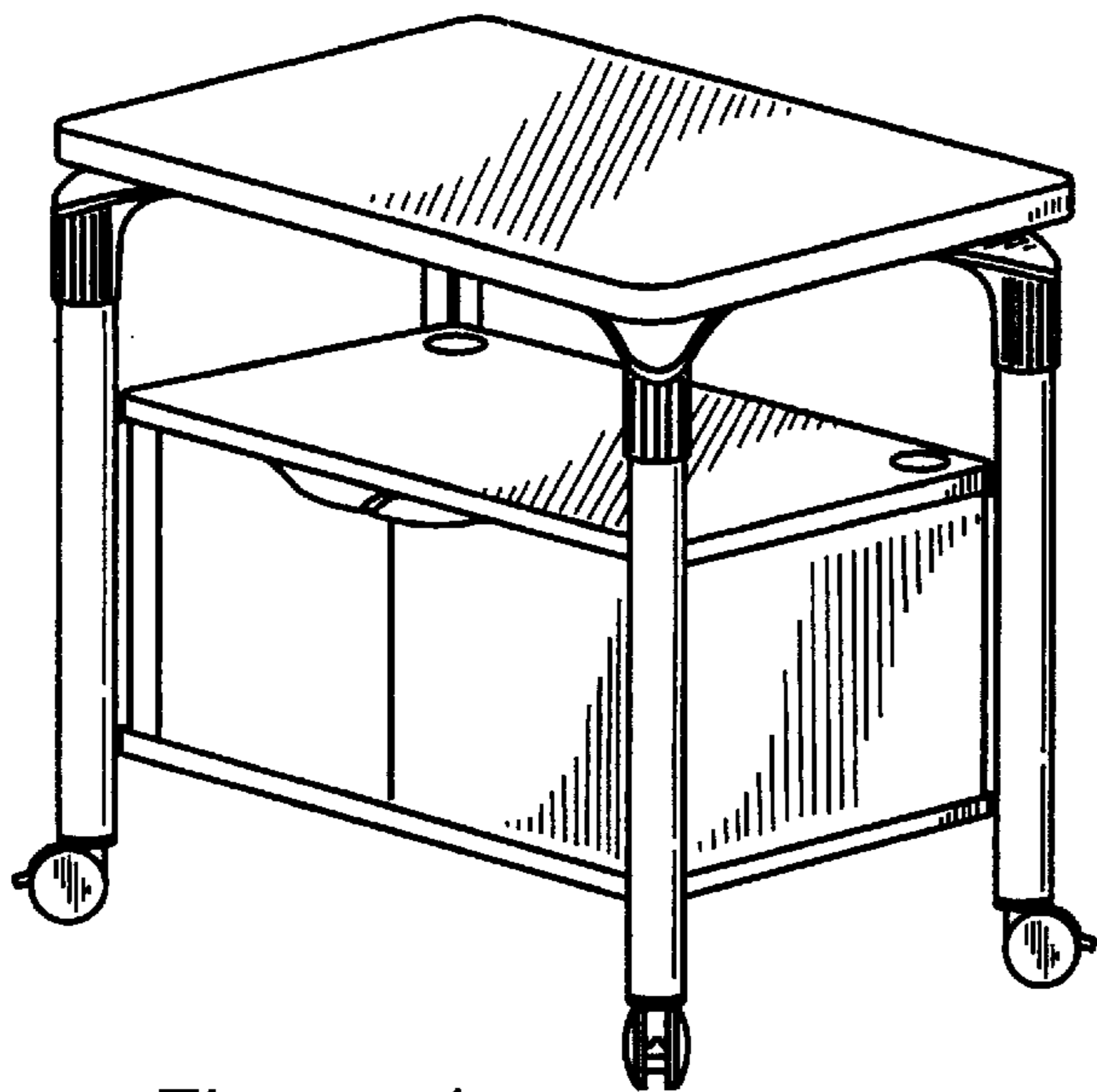


Figure 1

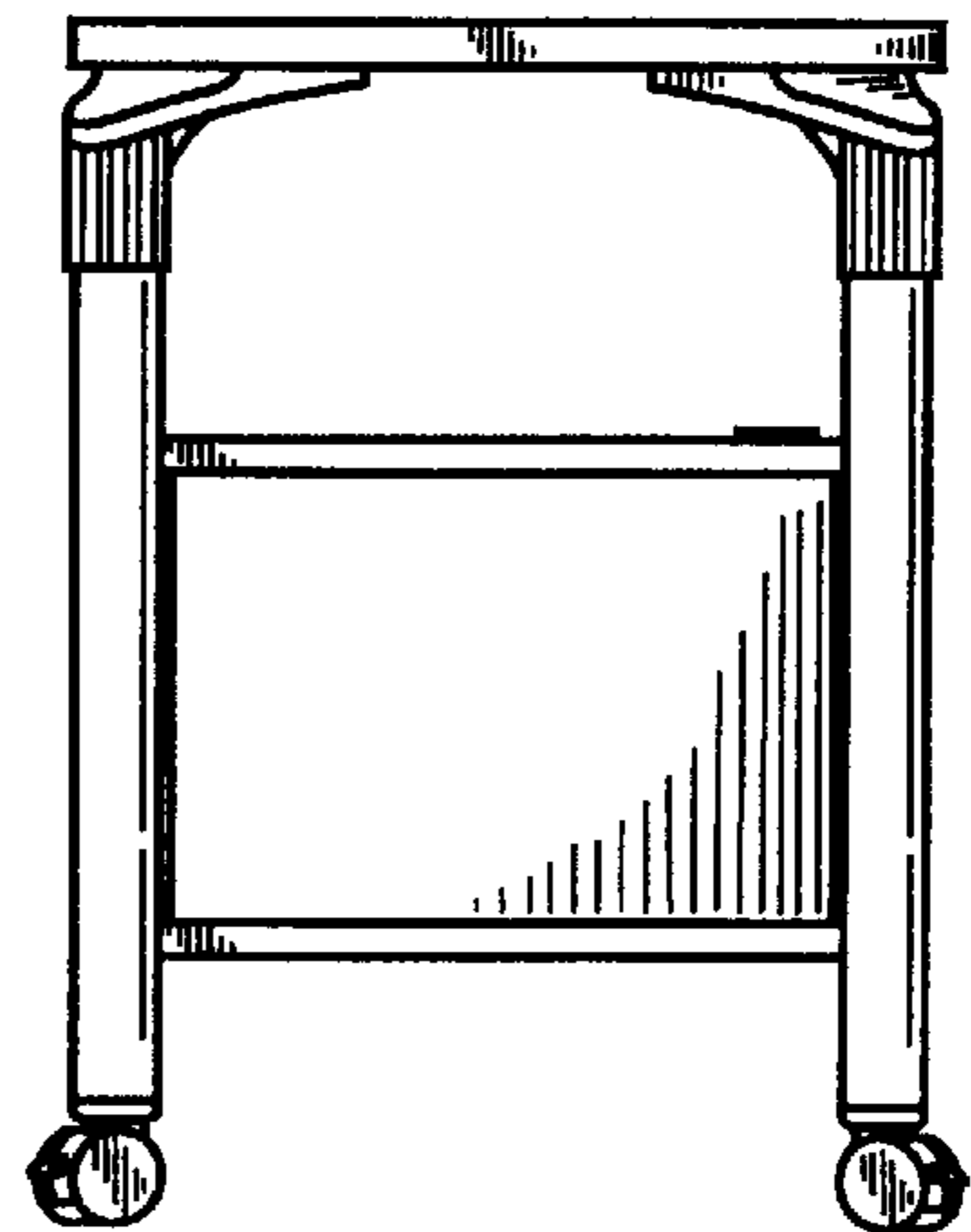


Figure 4

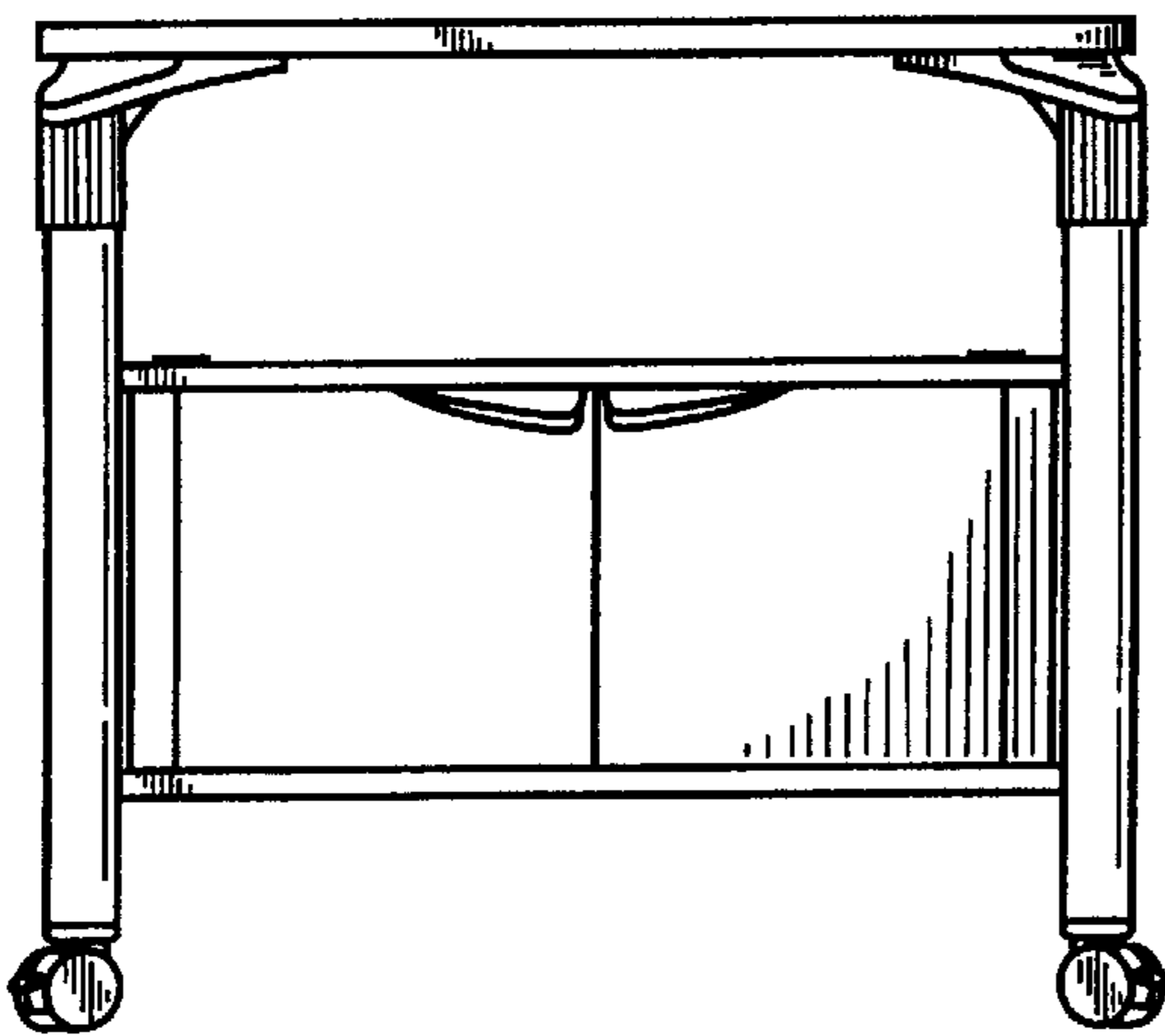


Figure 2

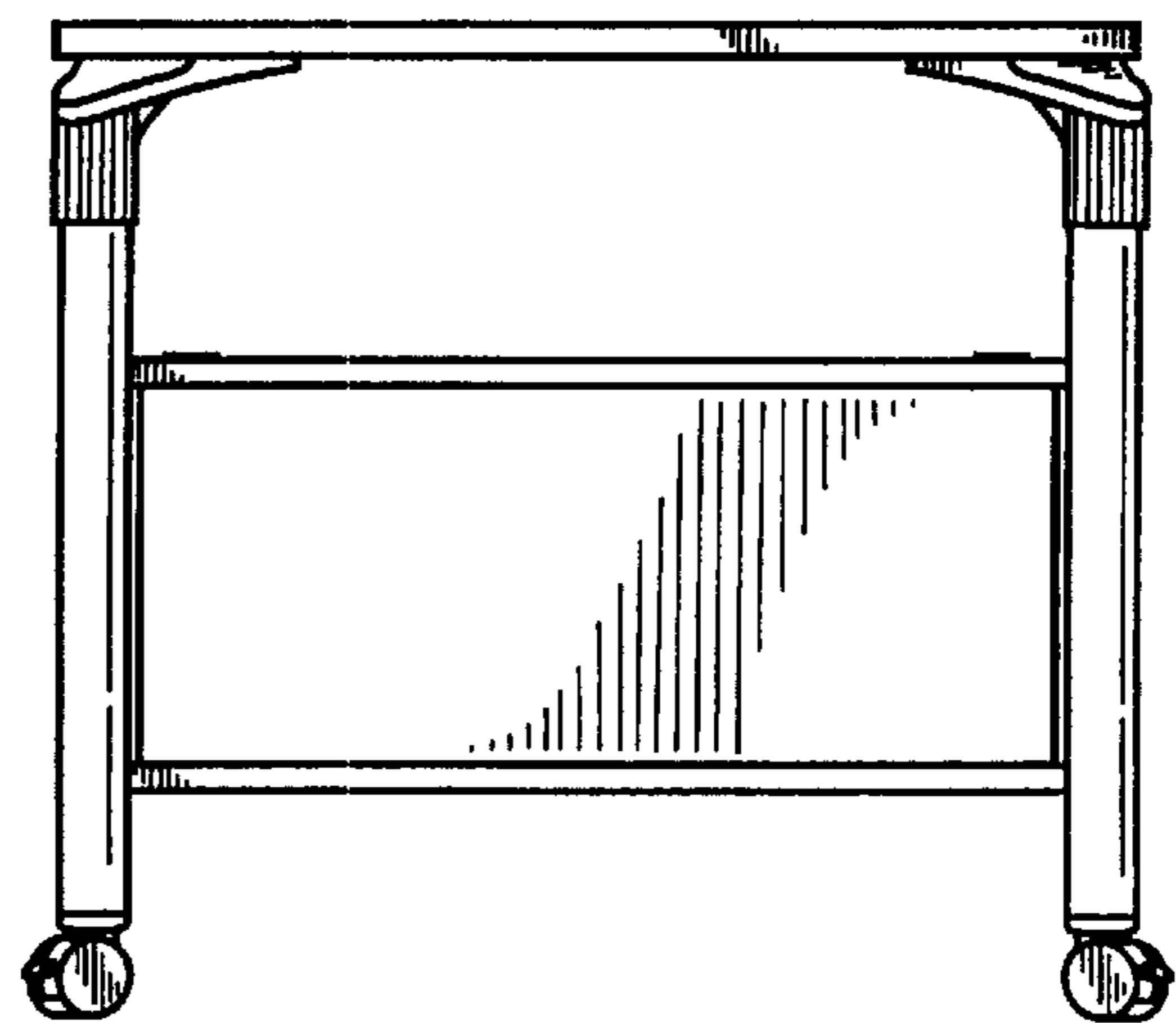


Figure 3

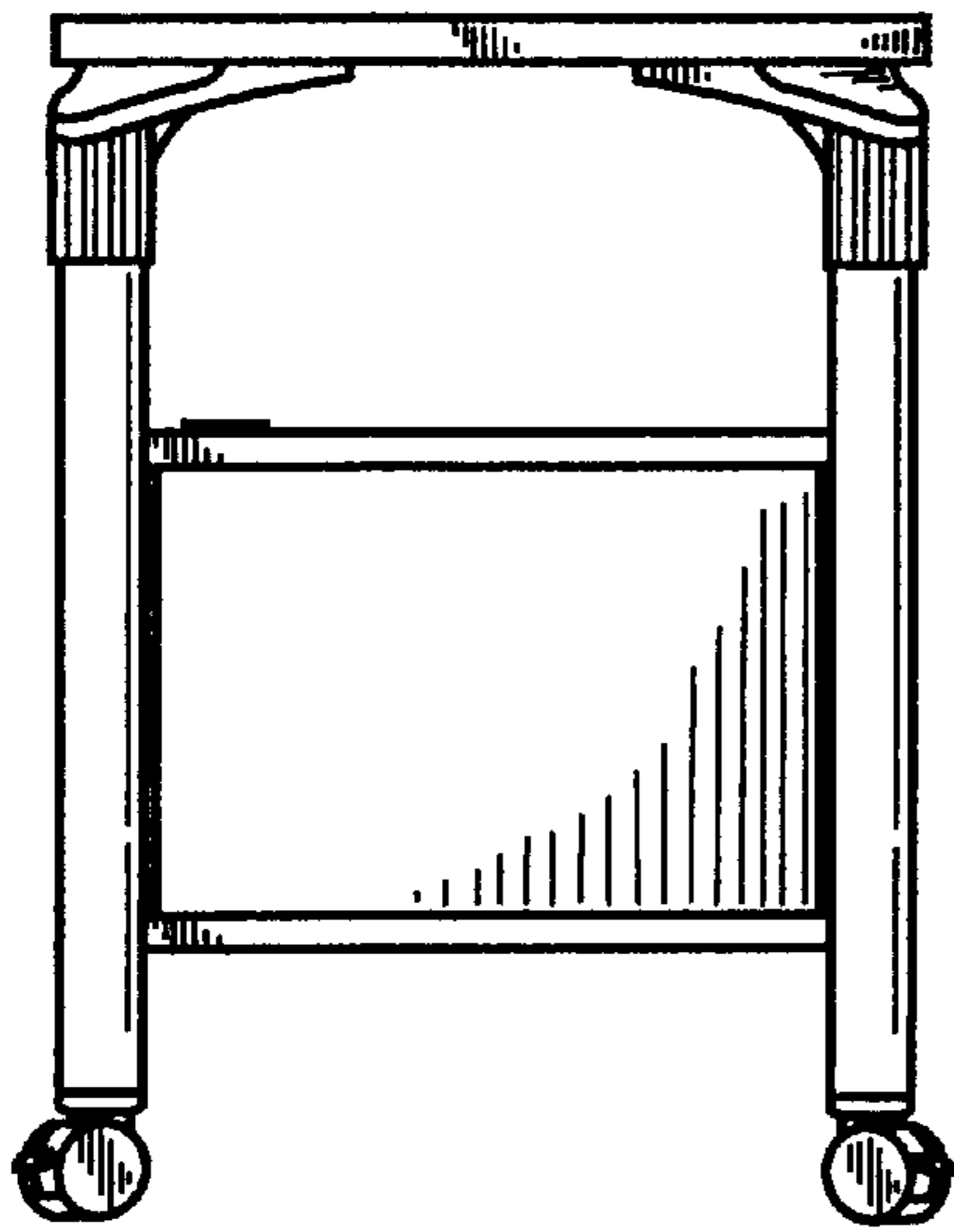


Figure 5

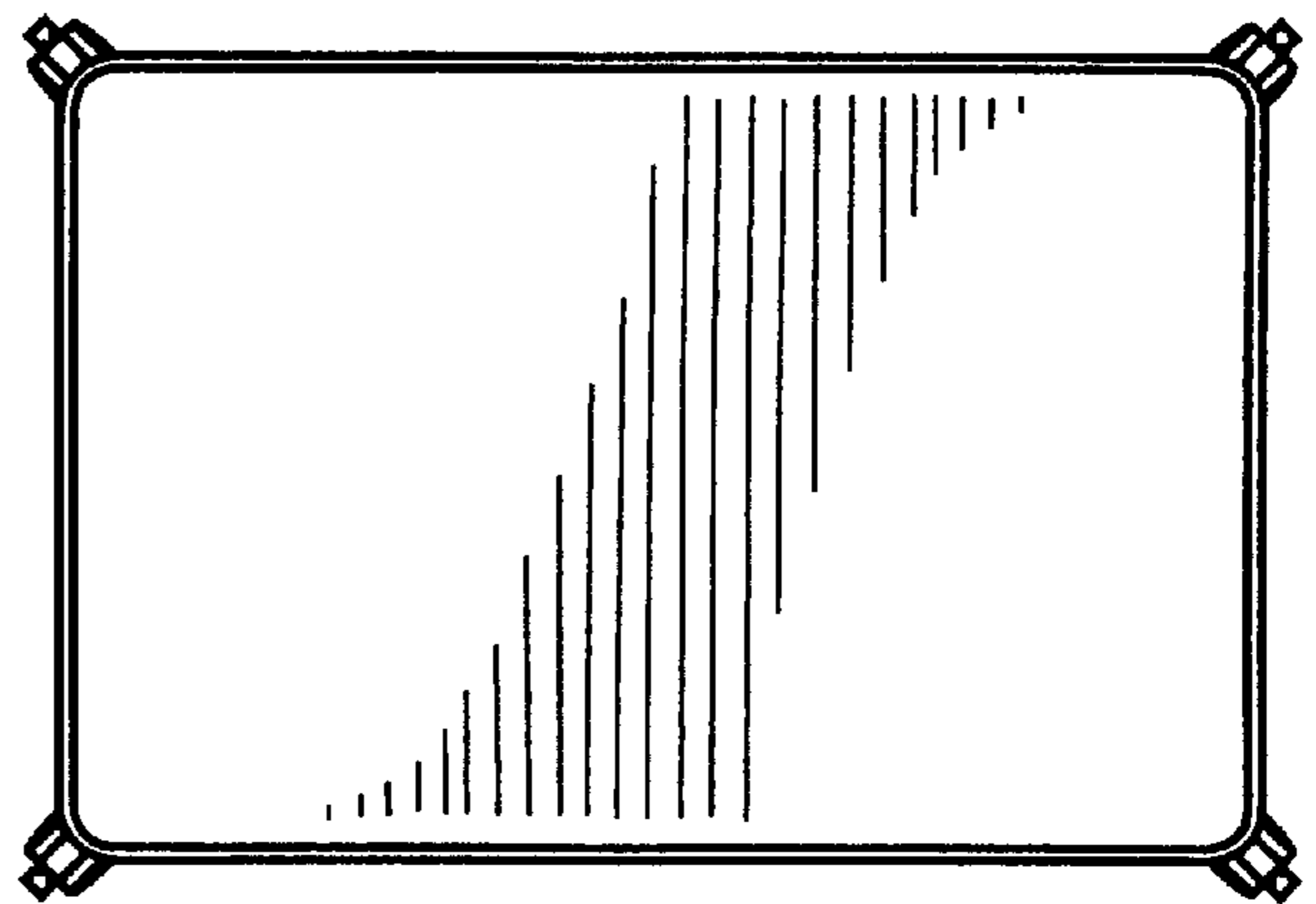


Figure 6

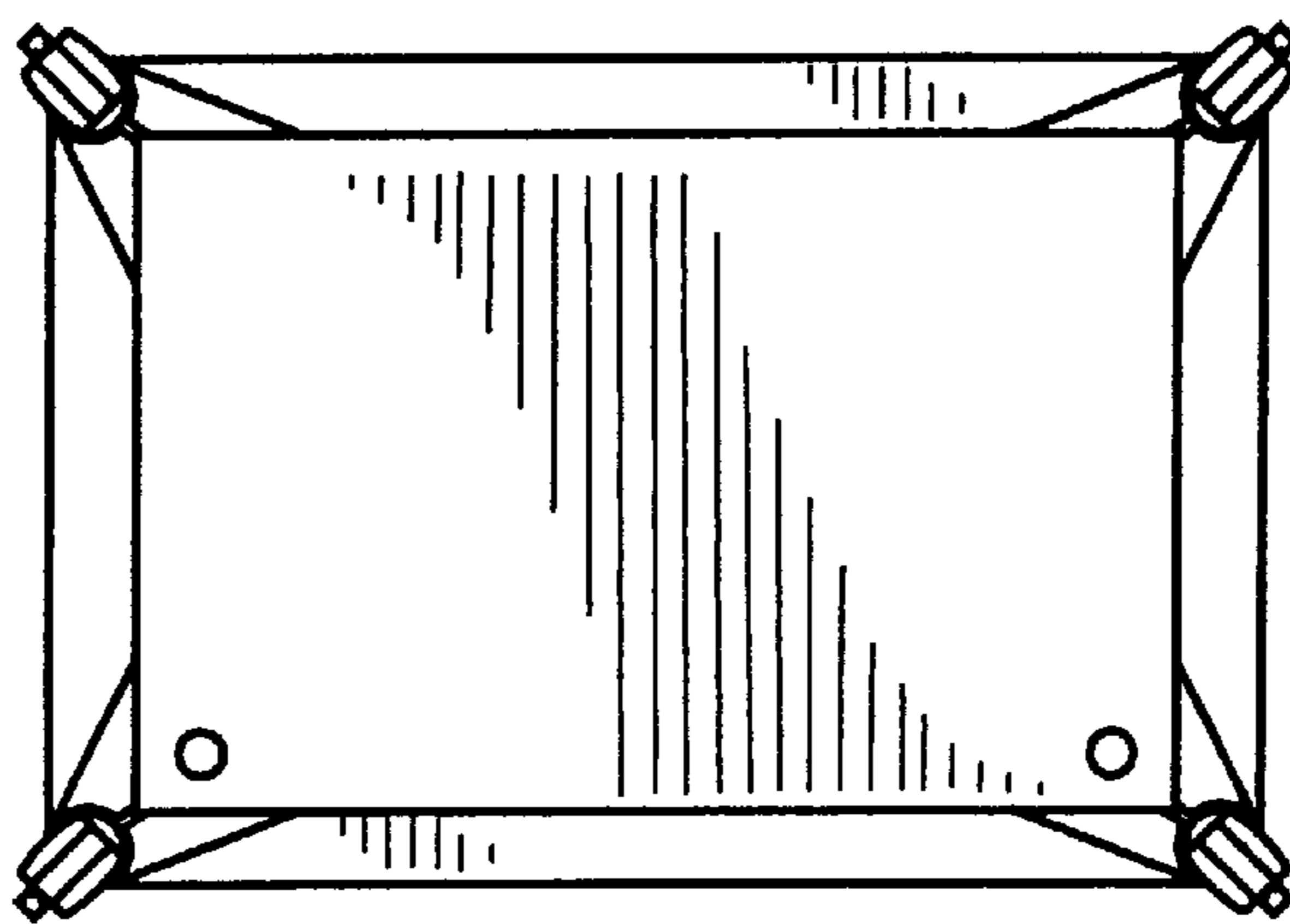


Figure 7