



US00D427399S

United States Patent [19]

[11] Patent Number: Des. 427,399

Thur et al.

[45] Date of Patent: ** Jun. 27, 2000

[54] NOZZLE BASE FOR VACUUM CLEANER

[75] Inventors: **Charles J. Thur**, Broadview Heights; **Michael F. Wright**, Stow; **Mark E. Cipolla**, Chardon; **Craig Saunders**, Rocky River; **Jeffrey M. Kalman**, Cleveland Heights; **Richard C. Farone**, Willoughby, all of Ohio

[73] Assignee: **Royal Appliance Mfg. Co.**, Cleveland, Ohio

[**] Term: **14 Years**

[21] Appl. No.: **29/098,883**

[22] Filed: **Jan. 7, 1999**

[51] LOC (7) Cl. **15-05**

[52] U.S. Cl. **D32/33**

[58] Field of Search D32/21, 22, 25, D32/31-33; 15/415.1-422.1, 321-322, 412, 414, 400, 350, 354, 362, 364, 367, 373

[56] References Cited

U.S. PATENT DOCUMENTS

- D. 198,435 6/1964 Gantz D32/22
- D. 249,349 9/1978 Wareham D32/32
- D. 314,847 2/1991 Shouji et al. .
- D. 333,892 3/1993 Wareham .
- D. 338,990 8/1993 McKnight .

- D. 347,500 5/1994 Abe et al. .
- D. 356,880 3/1995 Kieft .
- D. 358,236 5/1995 Kopco et al. .
- D. 368,559 4/1996 Abe et al. .
- D. 375,821 11/1996 Roberts et al. .
- D. 379,692 6/1997 Abe .
- D. 391,701 3/1998 Sato et al. .
- D. 398,094 9/1998 Sato et al. .
- D. 398,098 9/1998 Mehaffey et al. .
- D. 411,669 6/1999 Wareham D32/32
- D. 412,227 7/1999 Wareham et al. D32/32
- D. 412,380 7/1999 Wareham D32/32
- D. 418,265 12/1999 Farone et al. D32/22

Primary Examiner—Ruth McInroy
Attorney, Agent, or Firm—Fay, Sharpe, Fagan, Minnich & McKee, LLP

[57] CLAIM

The ornamental design for a nozzle base for vacuum cleaner, as shown and described.

DESCRIPTION

FIG. 1 is a perspective view of a nozzle base for vacuum cleaner showing our new design; FIG. 2 is a front elevational view thereof; FIG. 3 is a rear elevational view thereof; FIG. 4 is a top plan view thereof; FIG. 5 is a right side elevational view thereof; FIG. 6 is a left side elevational view thereof; and, FIG. 7 is a bottom plan view thereof.

1 Claim, 3 Drawing Sheets

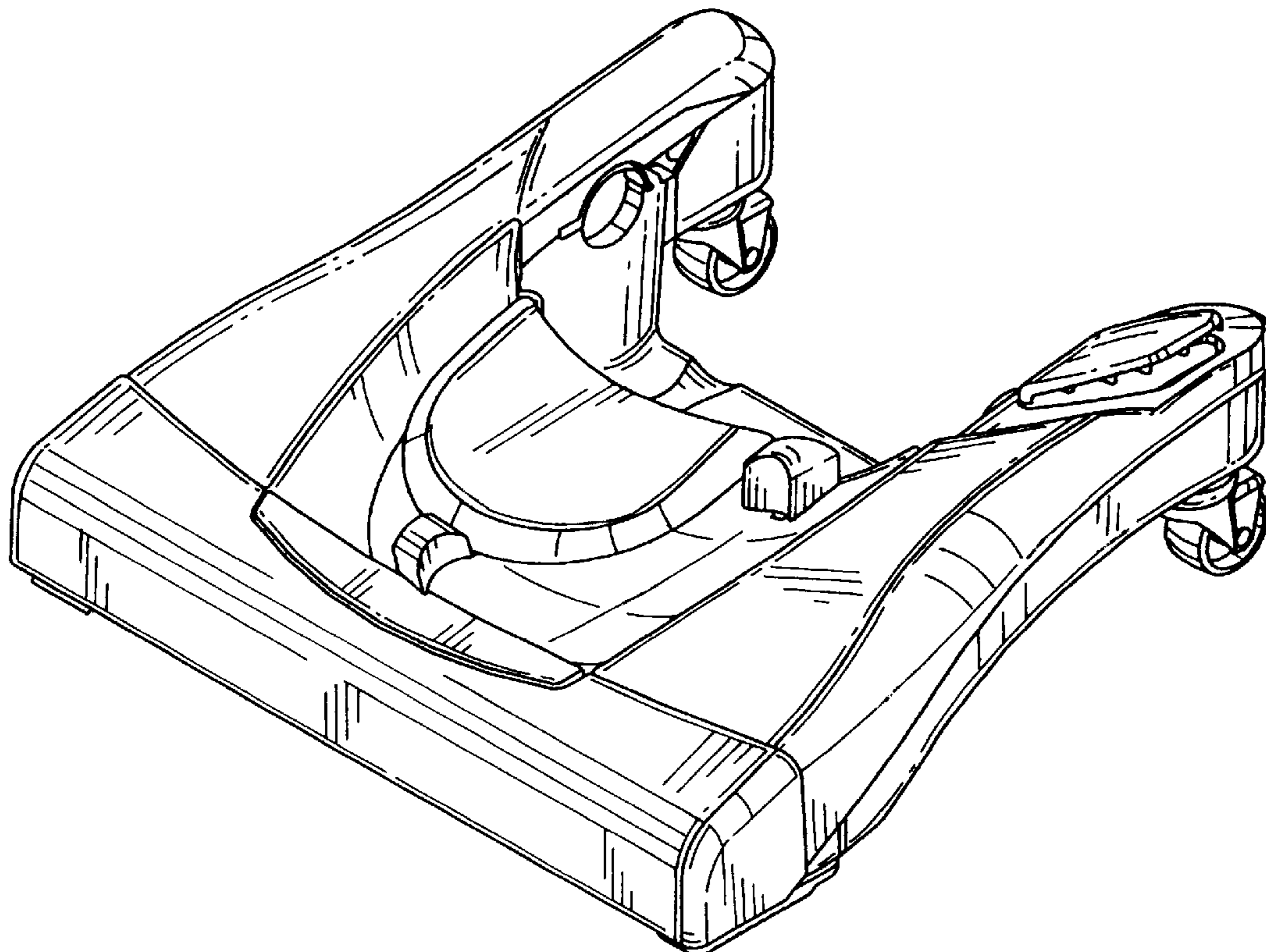


FIG.1

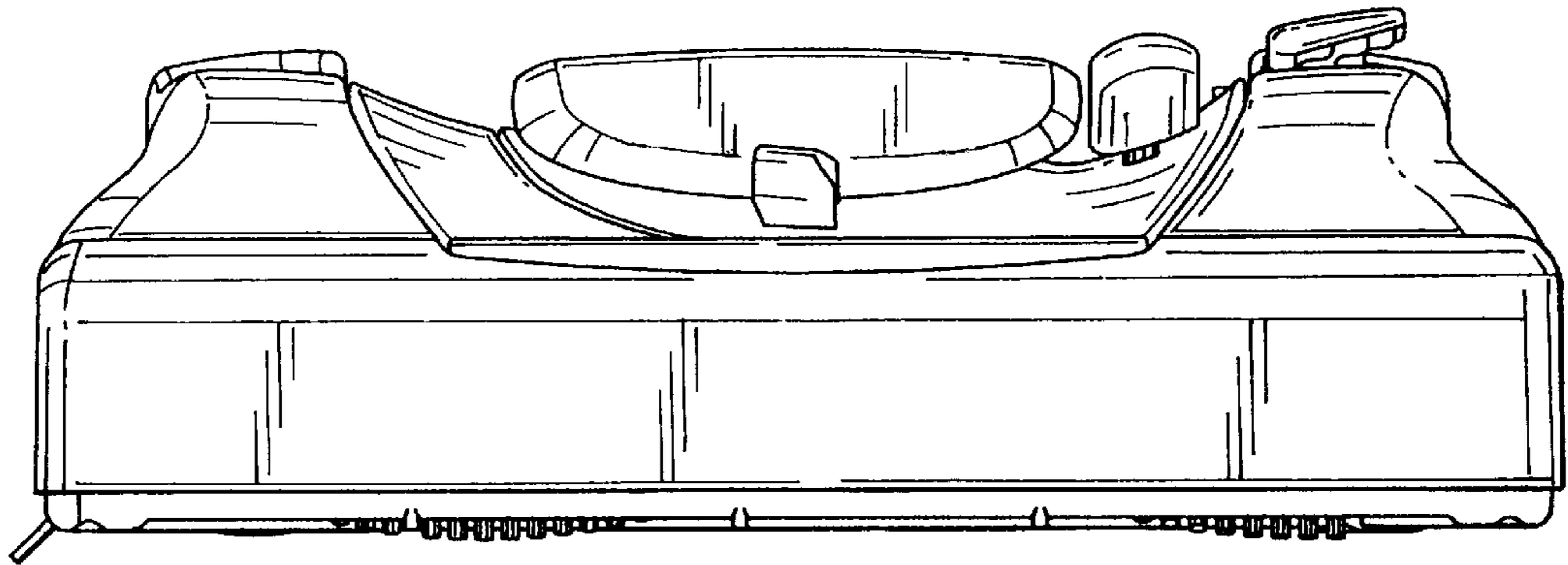
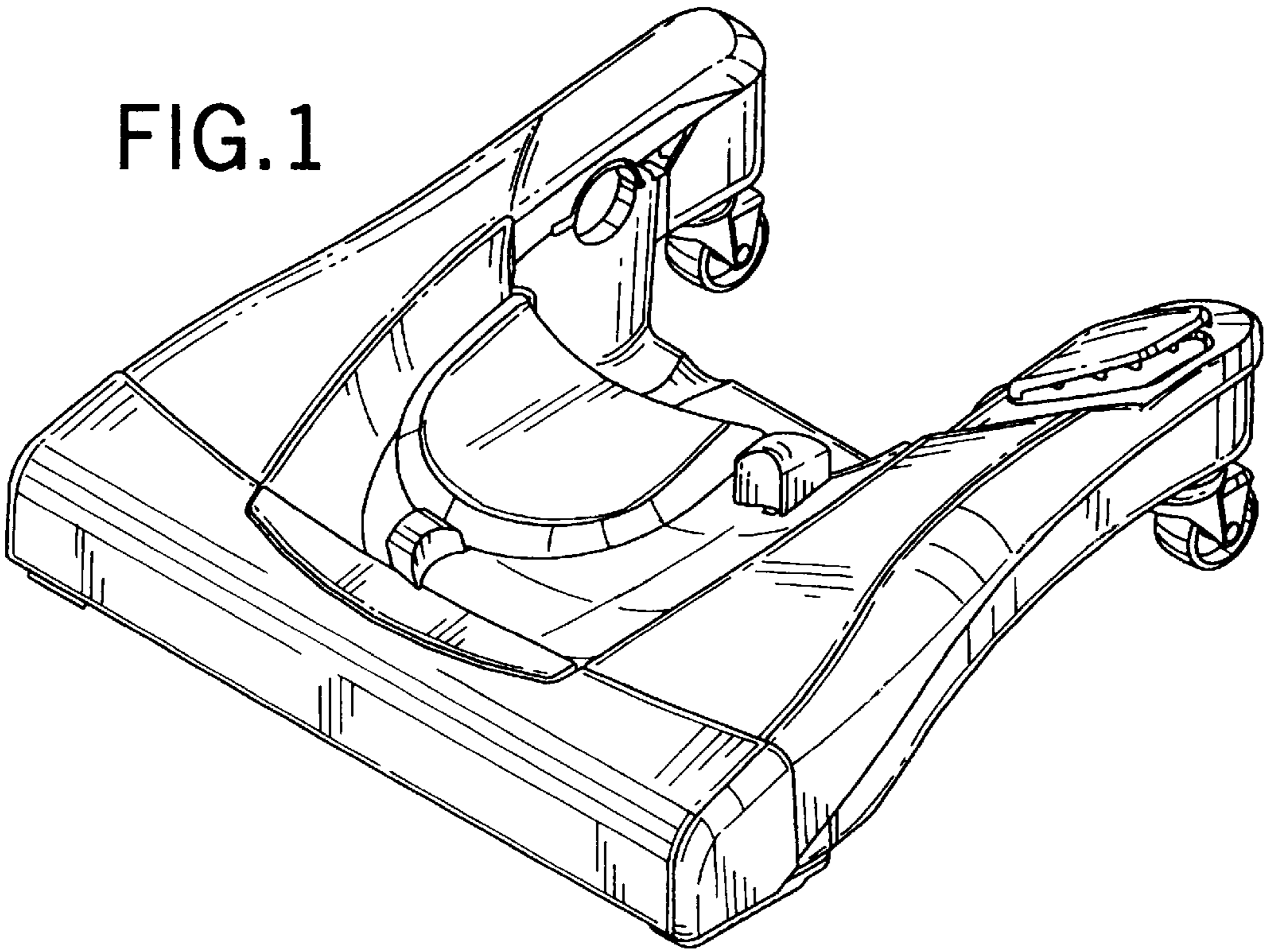


FIG.2

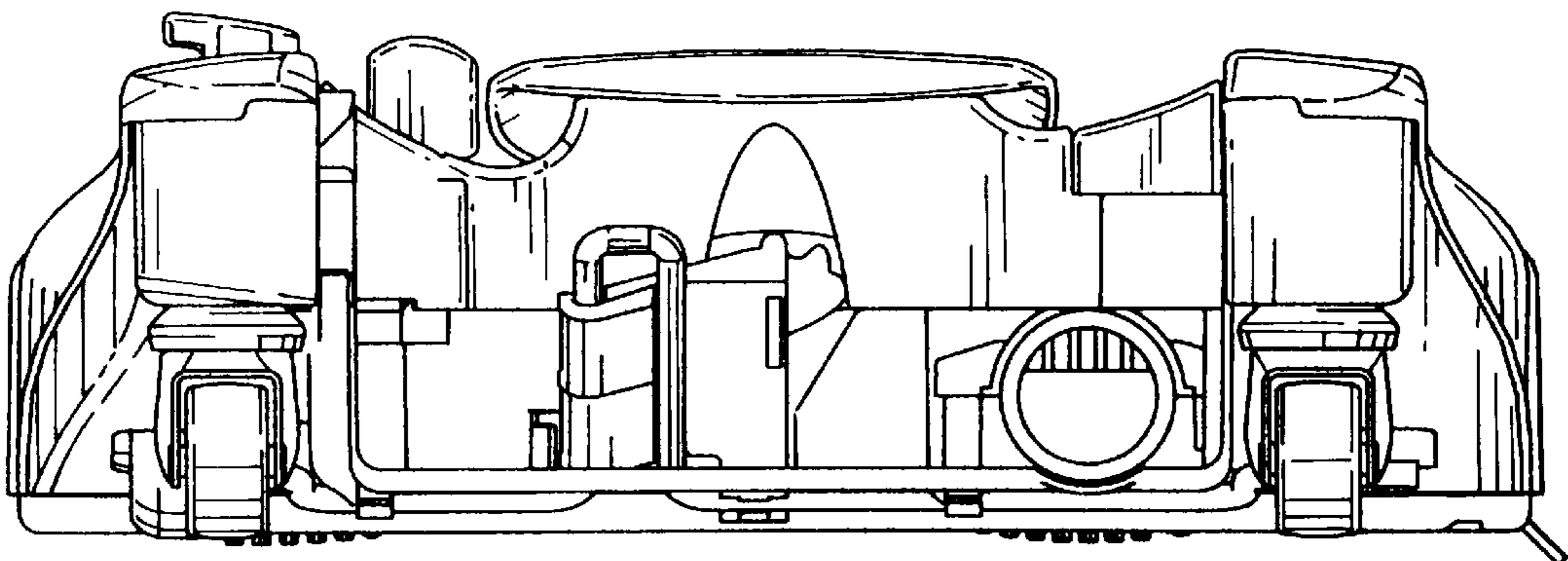


FIG.3

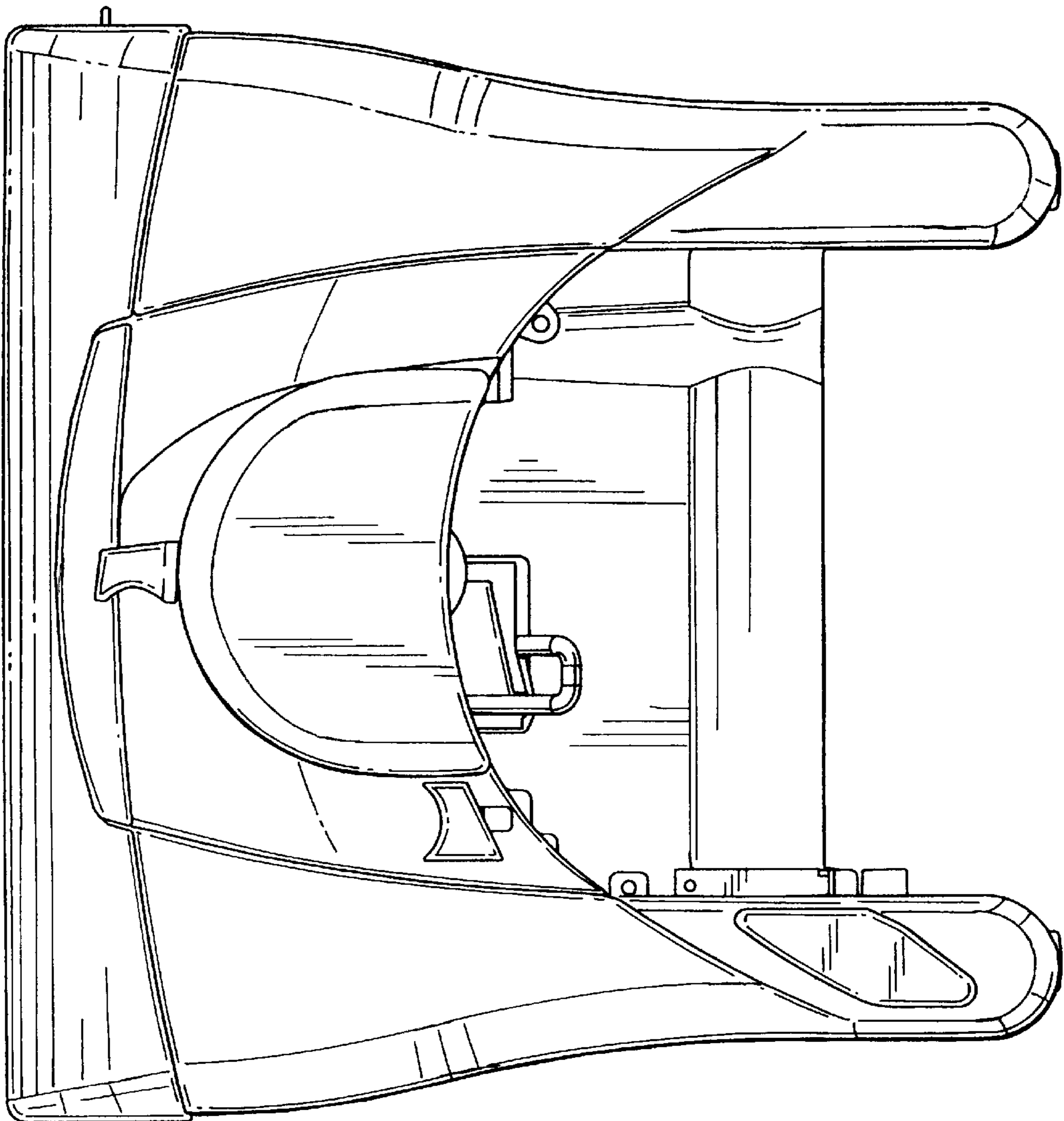


FIG. 4

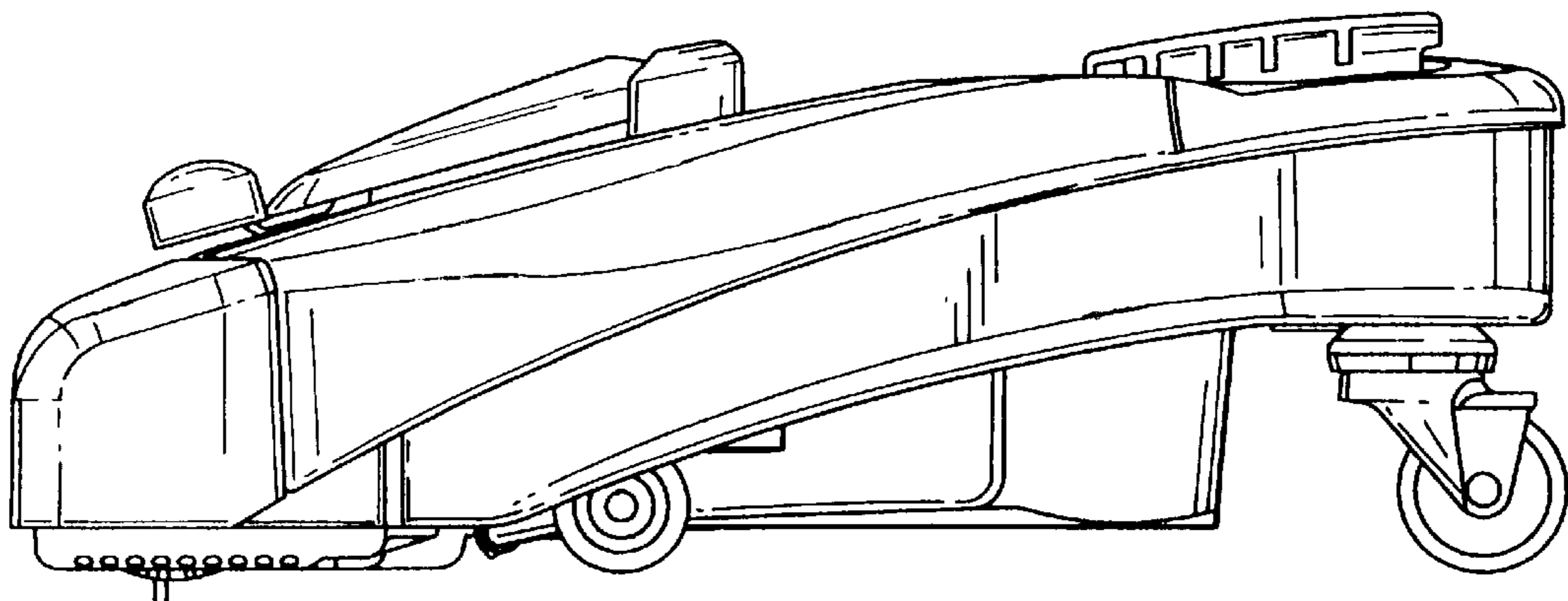


FIG. 5

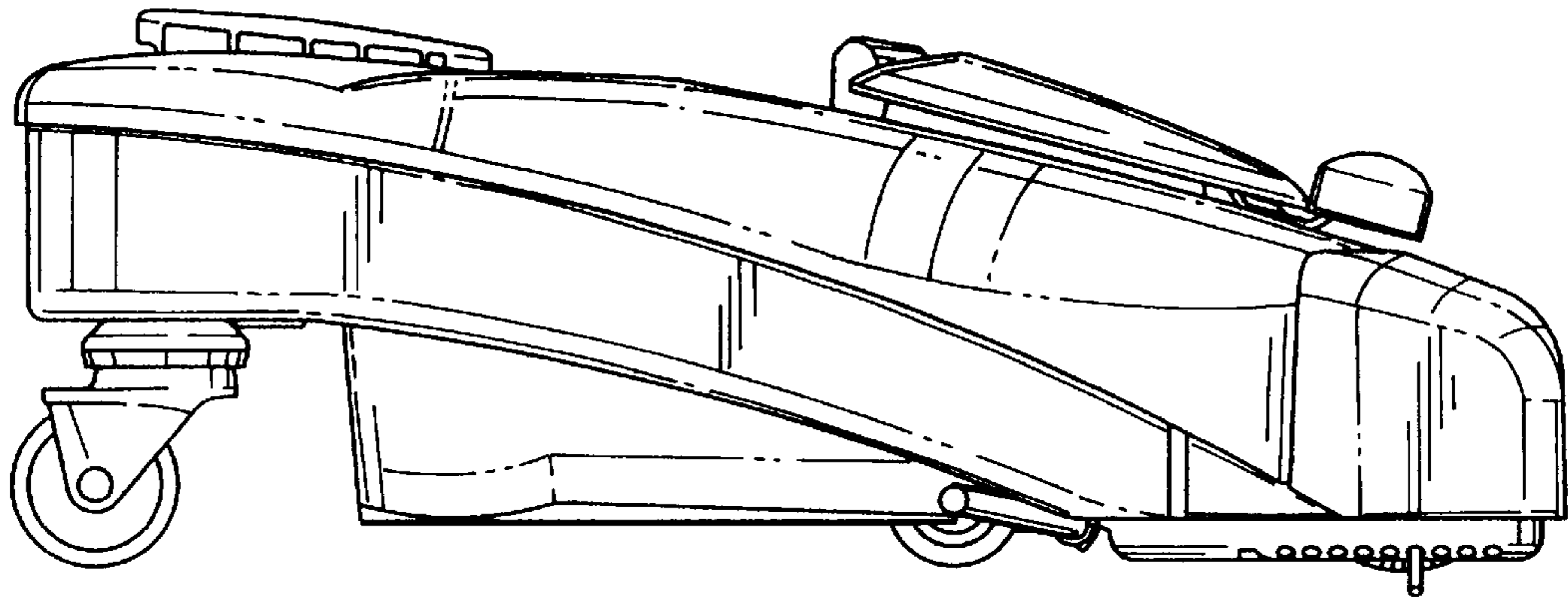


FIG. 6

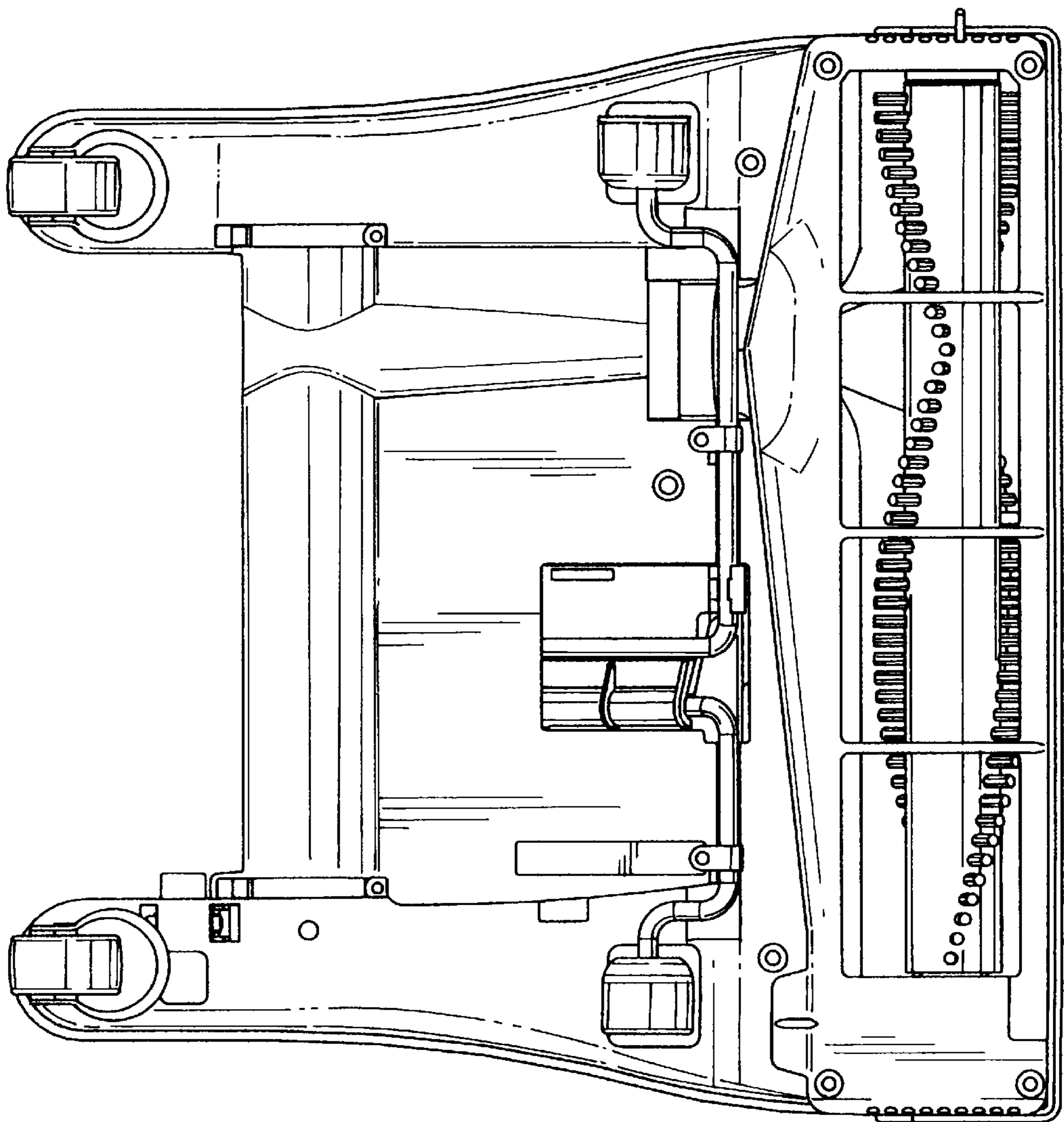


FIG. 7