



US00D427398S

United States Patent [19]
Wörwag

[11] **Patent Number: Des. 427,398**
[45] **Date of Patent: ** Jun. 27, 2000**

[54] **VACUUM TURBOBRUSH**

[75] Inventor: **Peter Wörwag**, Romanshorn,
Switzerland

[73] Assignee: **Düpro AG**, Switzerland

[**] Term: **14 Years**

[21] Appl. No.: **29/102,149**

[22] Filed: **Mar. 17, 1999**

[30] **Foreign Application Priority Data**

Sep. 19, 1998 [DE] Germany 498 09 355

[51] **LOC (7) Cl.** **15-05**

[52] **U.S. Cl.** **D32/32**

[58] **Field of Search** D32/21, 22, 25,
D32/31-33; 15/415.1-422.1, 321-322,
412, 414, 400, 350, 354, 362, 364, 367,
373

[56] **References Cited**

U.S. PATENT DOCUMENTS

D. 189,778 2/1961 Guild et al. D32/32
D. 312,904 12/1990 Worwag D32/32

D. 333,021 2/1993 Breur D32/32
D. 333,022 2/1993 Kramer et al. D32/32
D. 333,539 2/1993 Kramer et al. D32/32
D. 346,468 4/1994 Dusinberre et al. D32/22
D. 370,097 5/1996 Griffin et al. D32/33
D. 381,780 7/1997 Summers et al. D32/33
D. 382,681 8/1997 Thomas D32/22
D. 399,618 10/1998 Jacobs D32/22

Primary Examiner—Ruth McInroy
Attorney, Agent, or Firm—Robert W. Becker & Associates

[57] **CLAIM**

The ornamental design for a vacuum turbobrush, as shown and described.

DESCRIPTION

FIG. 1 is a perspective view of a vacuum turbobrush showing my new design;
FIG. 2 is a front view thereof;
FIG. 3 is a top view thereof;
FIG. 4 is a rearview thereof;
FIG. 5 is a right side view thereof;
FIG. 6 is a left side view thereof; and,
FIG. 7 is a bottom view thereof.

1 Claim, 4 Drawing Sheets

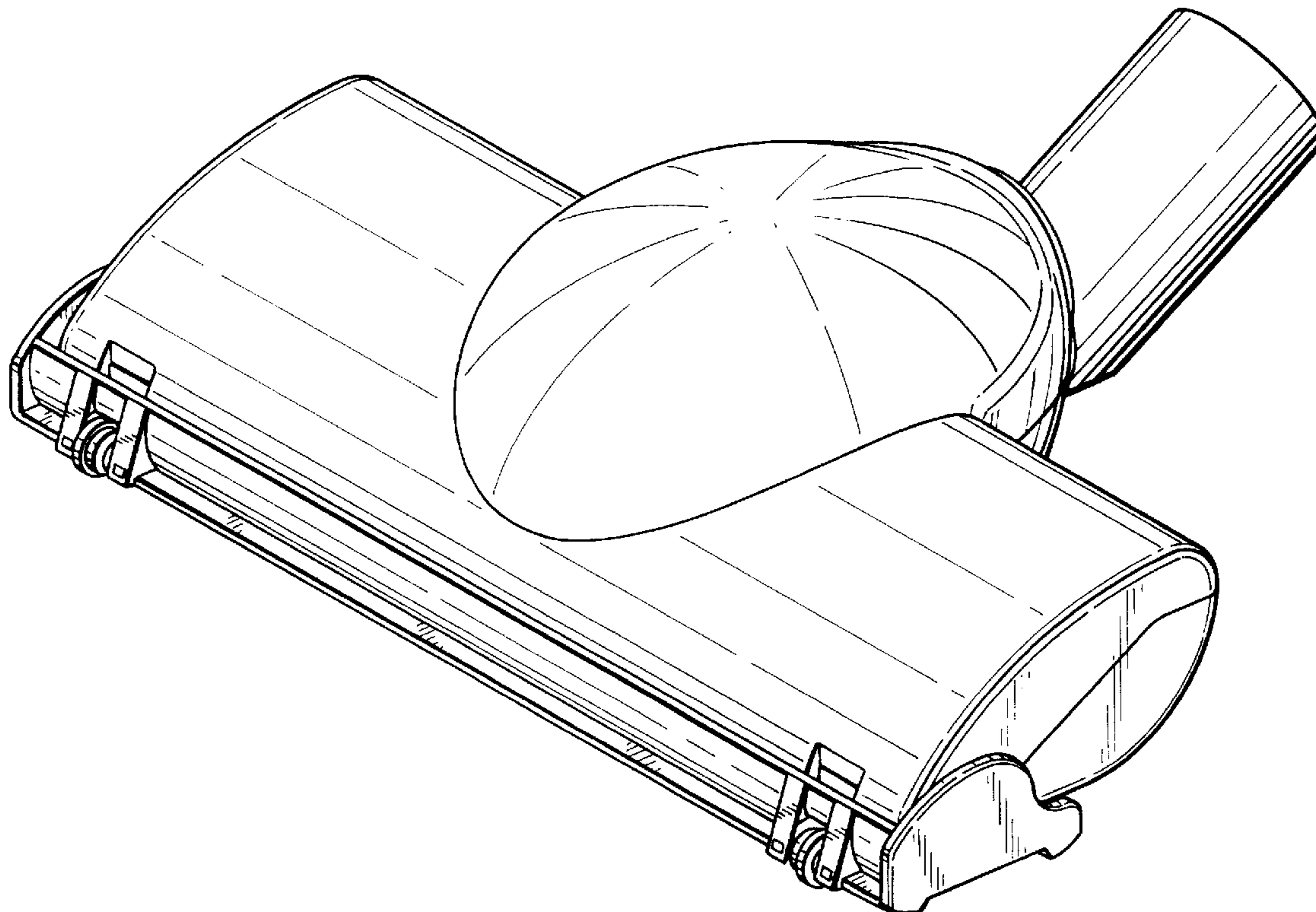


Fig. 1

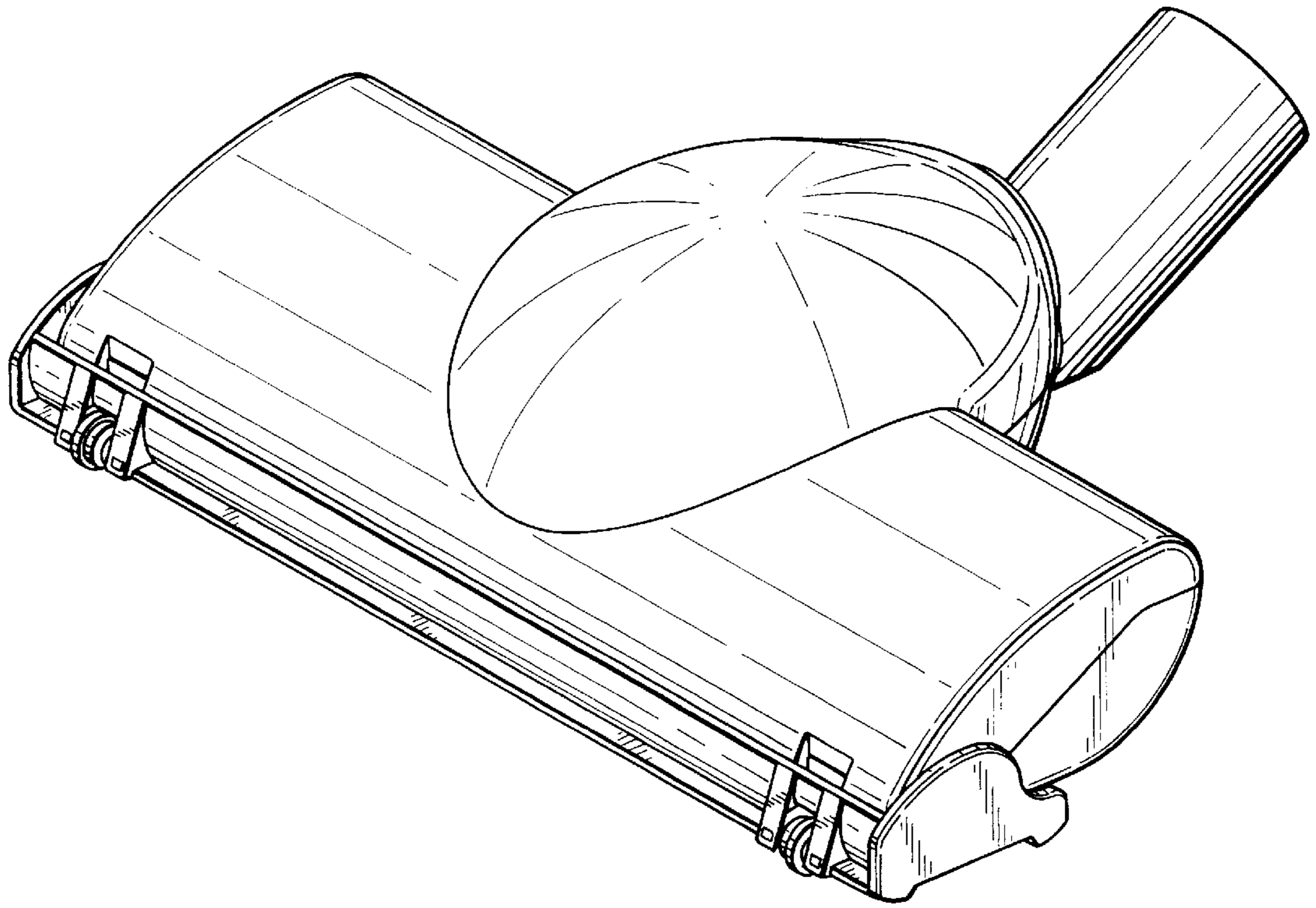


Fig. 3

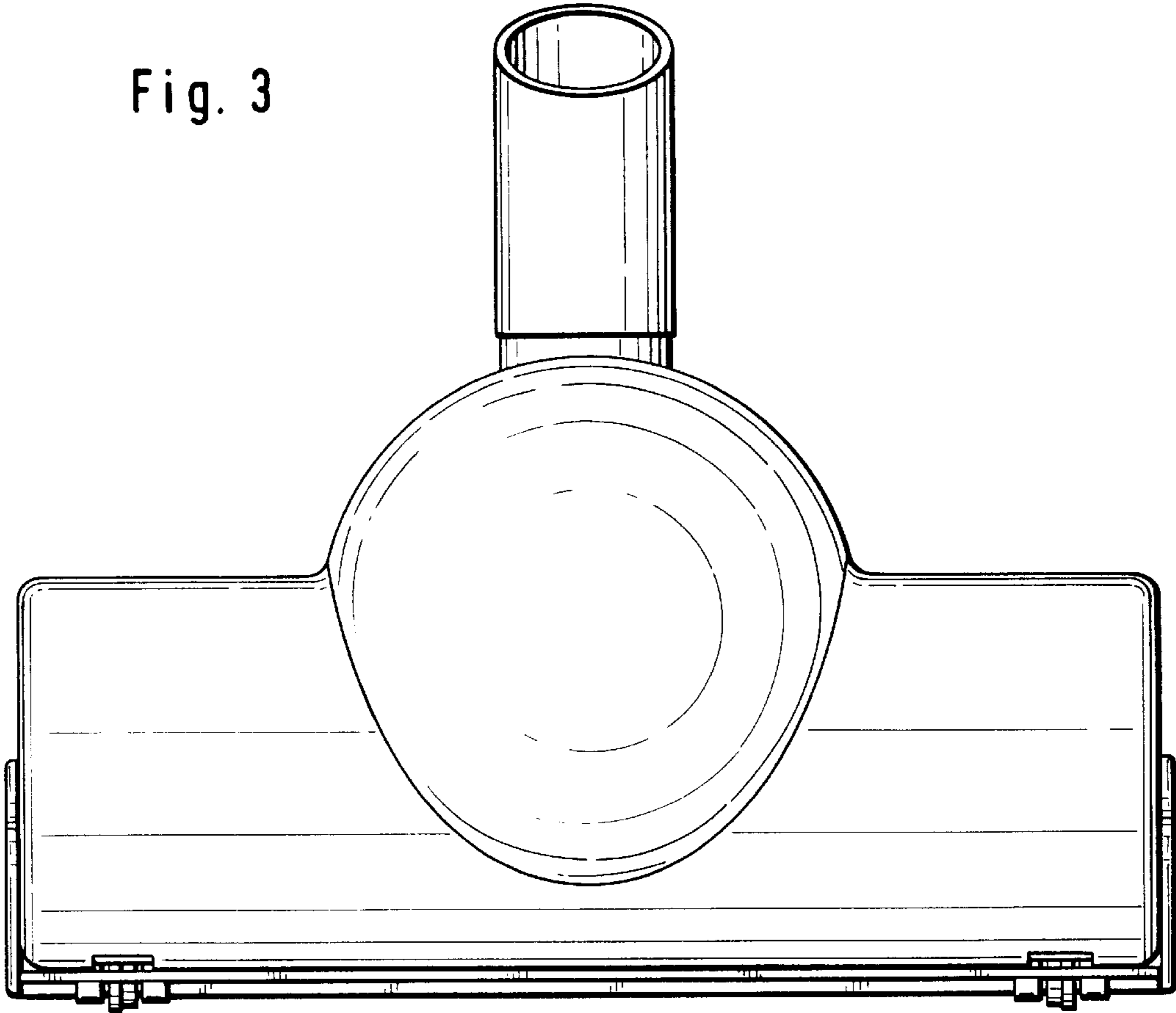


Fig. 2

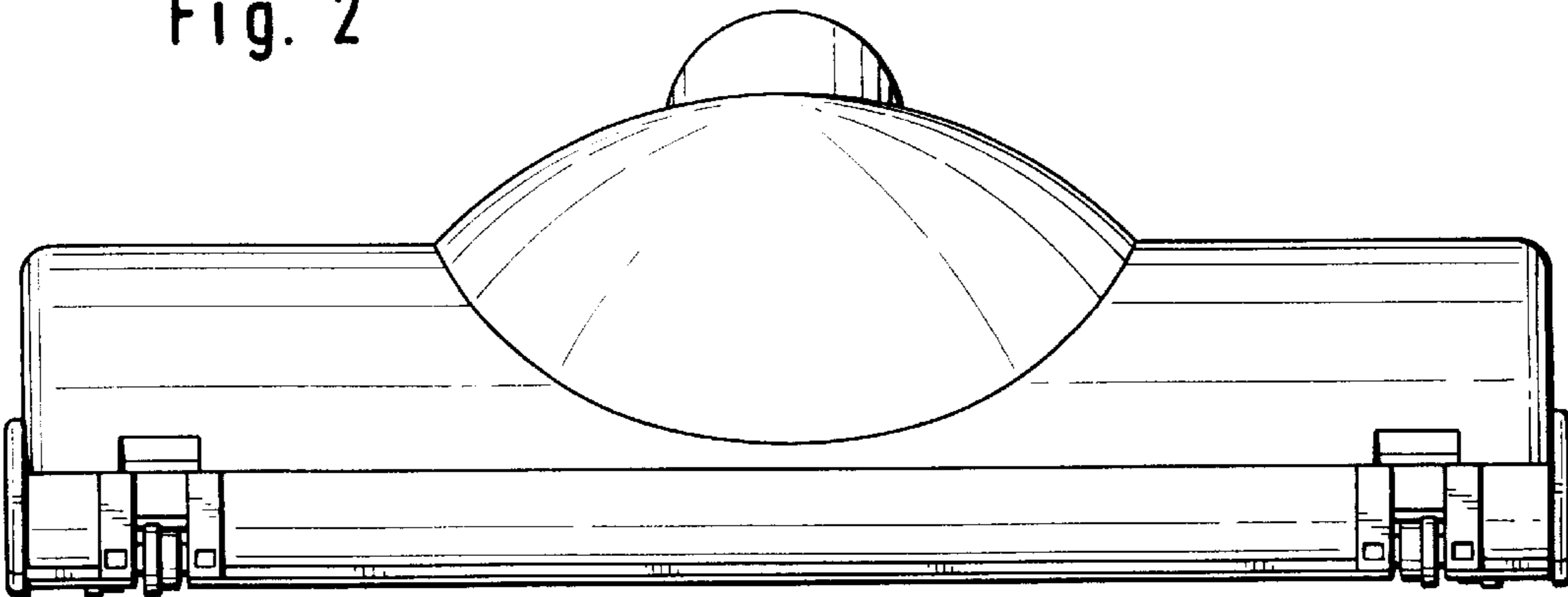


Fig. 4

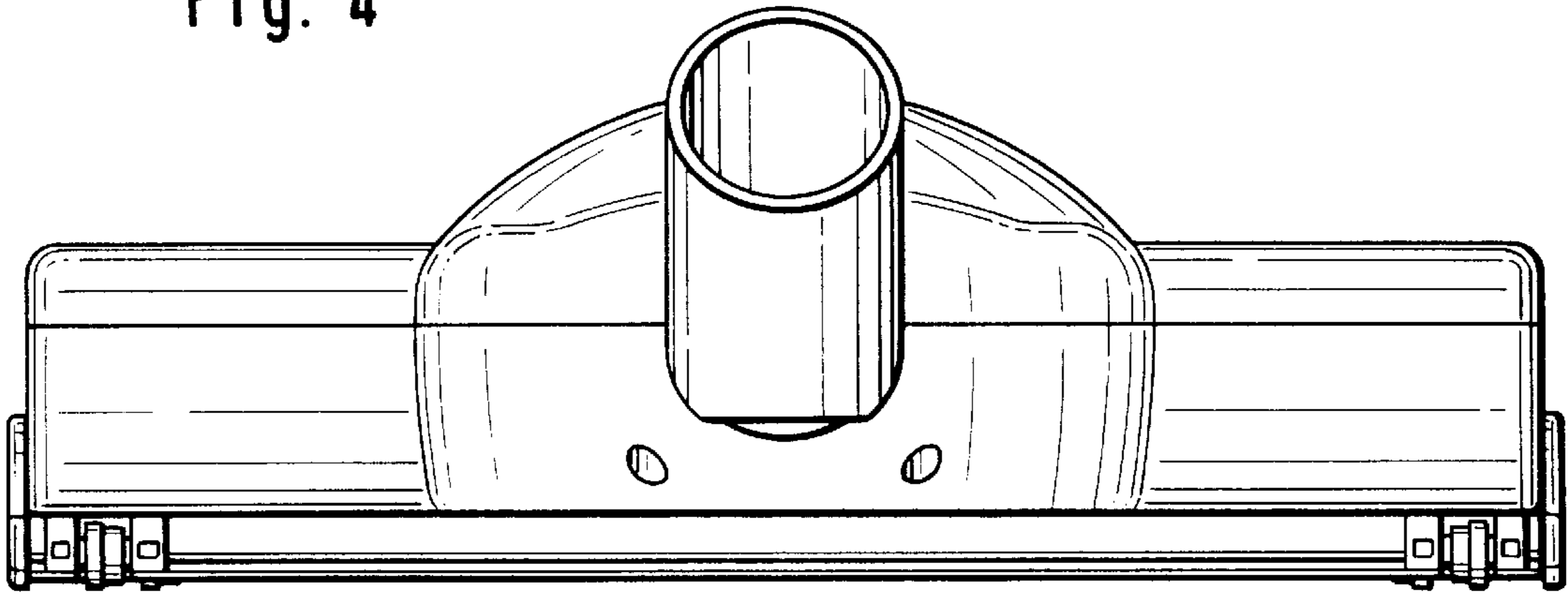


Fig. 7

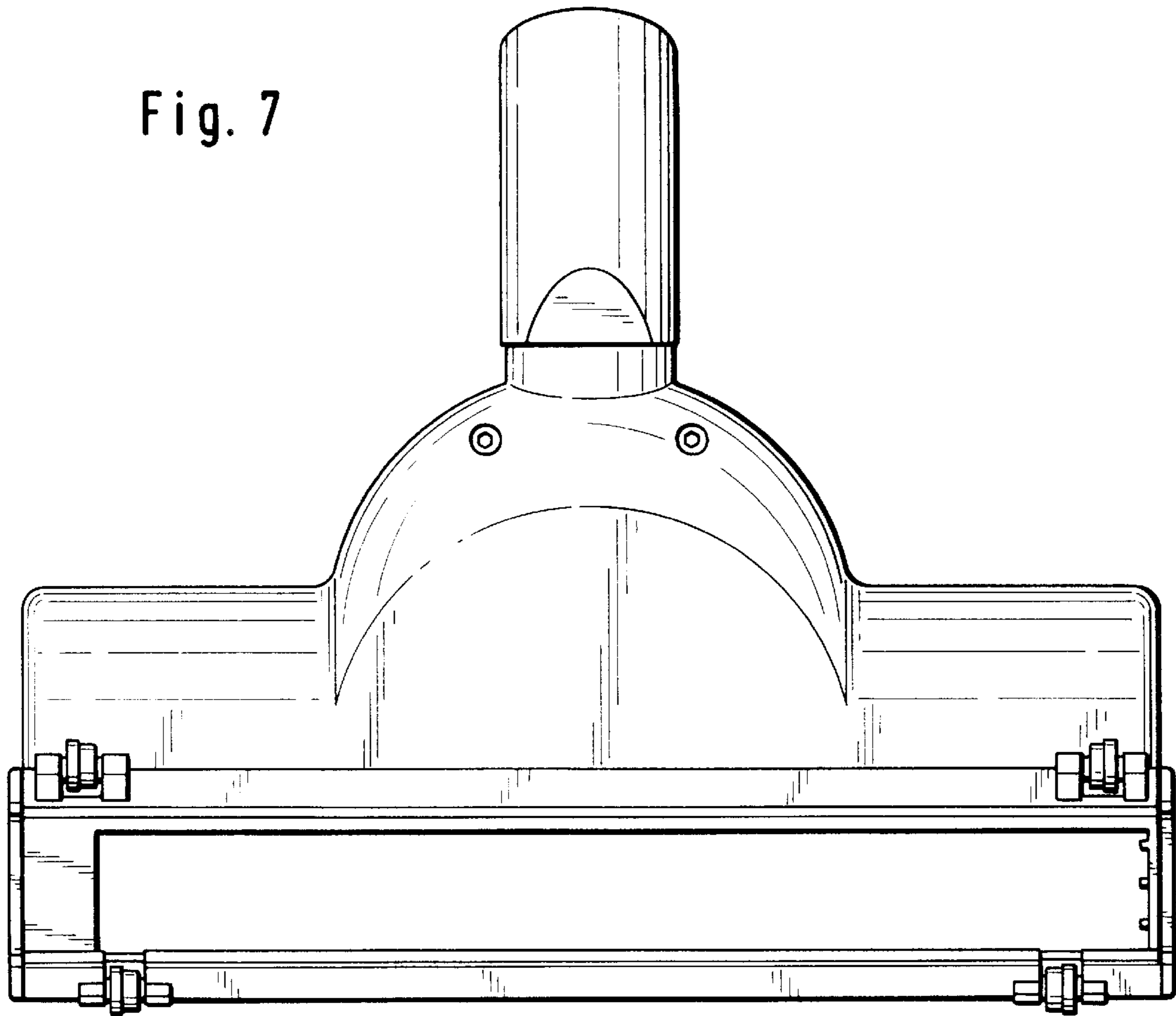


Fig. 5

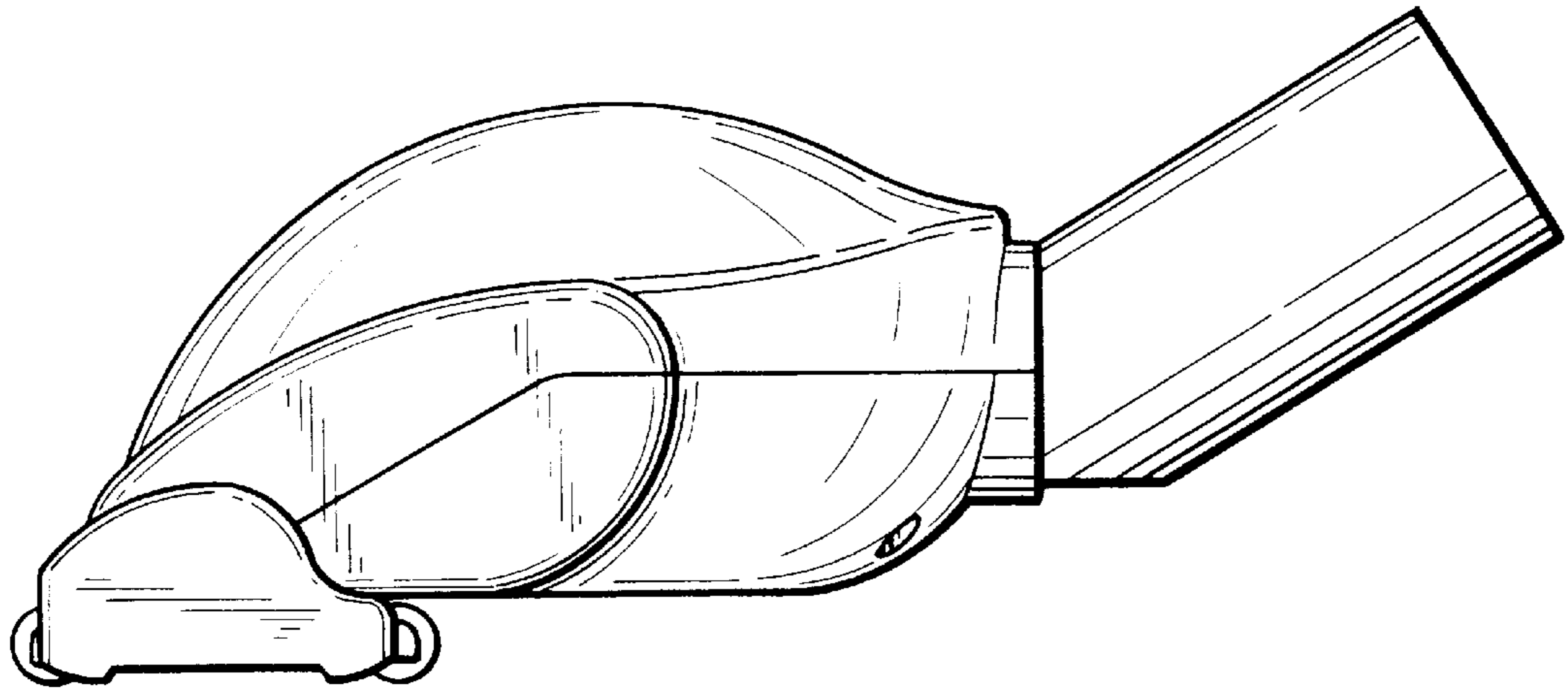


Fig. 6

