



US00D427394S

United States Patent [19]

Yamane et al.

[11] **Patent Number: Des. 427,394**

[45] **Date of Patent: ** Jun. 27, 2000**

[54] **BLOWER**

[75] Inventors: **Yoshiro Yamane, Akashi; Tsuneyoshi Yuasa, Kobe, both of Japan**

[73] Assignee: **Kawasaki Jukogyo Kabushiki Kaisha, Japan**

[**] Term: **14 Years**

[21] Appl. No.: **29/098,182**

[22] Filed: **Dec. 22, 1998**

[30] **Foreign Application Priority Data**

Jul. 24, 1998 [JP] Japan 10-21383

[51] **LOC (7) Cl. 15-05**

[52] **U.S. Cl. D32/15**

[58] **Field of Search D34/15, 16, 17, D34/18, 21, 25; 15/334, 405; D23/213**

[56] **References Cited**

U.S. PATENT DOCUMENTS

D. 344,615 2/1994 Berfield et al. D32/15
4,644,606 2/1987 Luerken et al. 15/405

4,674,146 6/1987 Tuggle et al. 15/344
4,870,714 10/1989 Miner 15/344
5,222,275 6/1993 Baker et al. 15/405
5,813,088 9/1998 Wagner et al. 15/405

Primary Examiner—Louis S. Zarfes
Assistant Examiner—Robert A. Delehanty
Attorney, Agent, or Firm—Oppenheimer Wolff & Donnelly LLP

[57] **CLAIM**

The ornamental design for a blower, as shown and described.

DESCRIPTION

FIG. 1 is a right side view of a blower showing our new design;
FIG. 2 is a left side view thereof;
FIG. 3 is a perspective view of the left rear side thereof;
FIG. 4 is a perspective view of the right rear side thereof;
FIG. 5 is a plane view thereof;
FIG. 6 is a bottom view thereof;
FIG. 7 is a rear view thereof;
FIG. 8 is a front view thereof; and,
FIG. 9 is a perspective front view thereof.

1 Claim, 5 Drawing Sheets

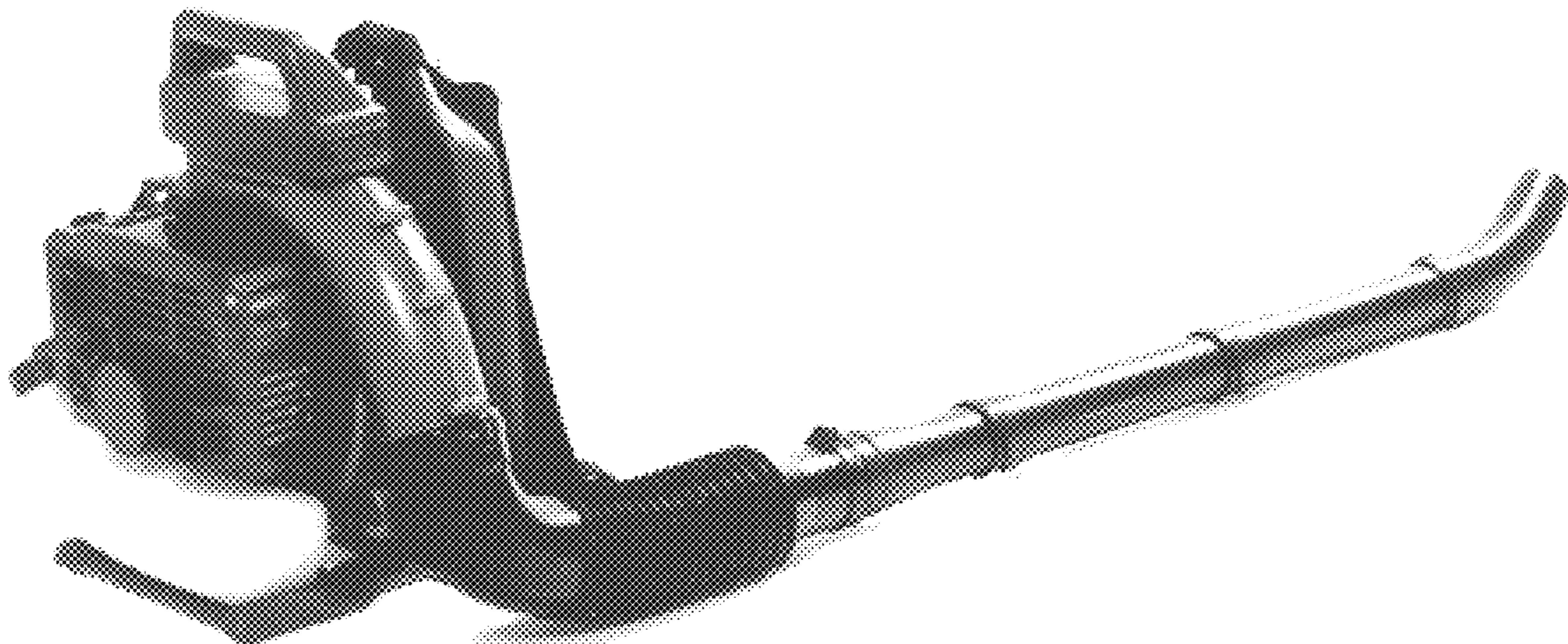


FIG. 1

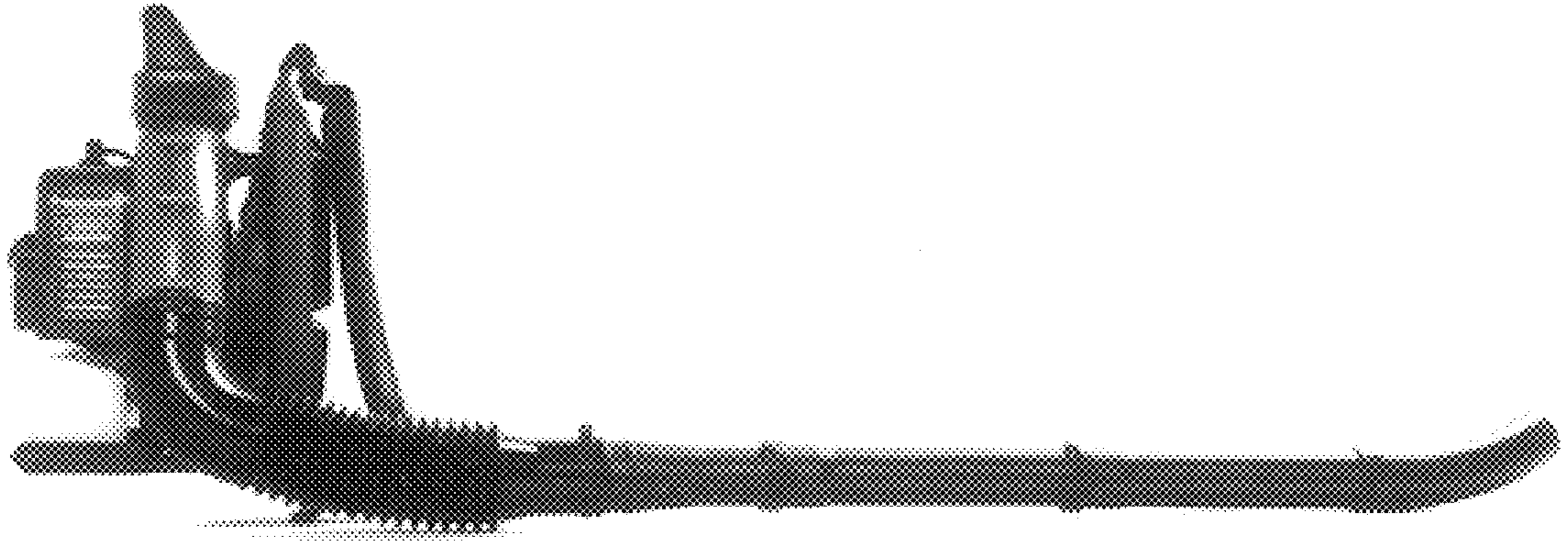


FIG. 2

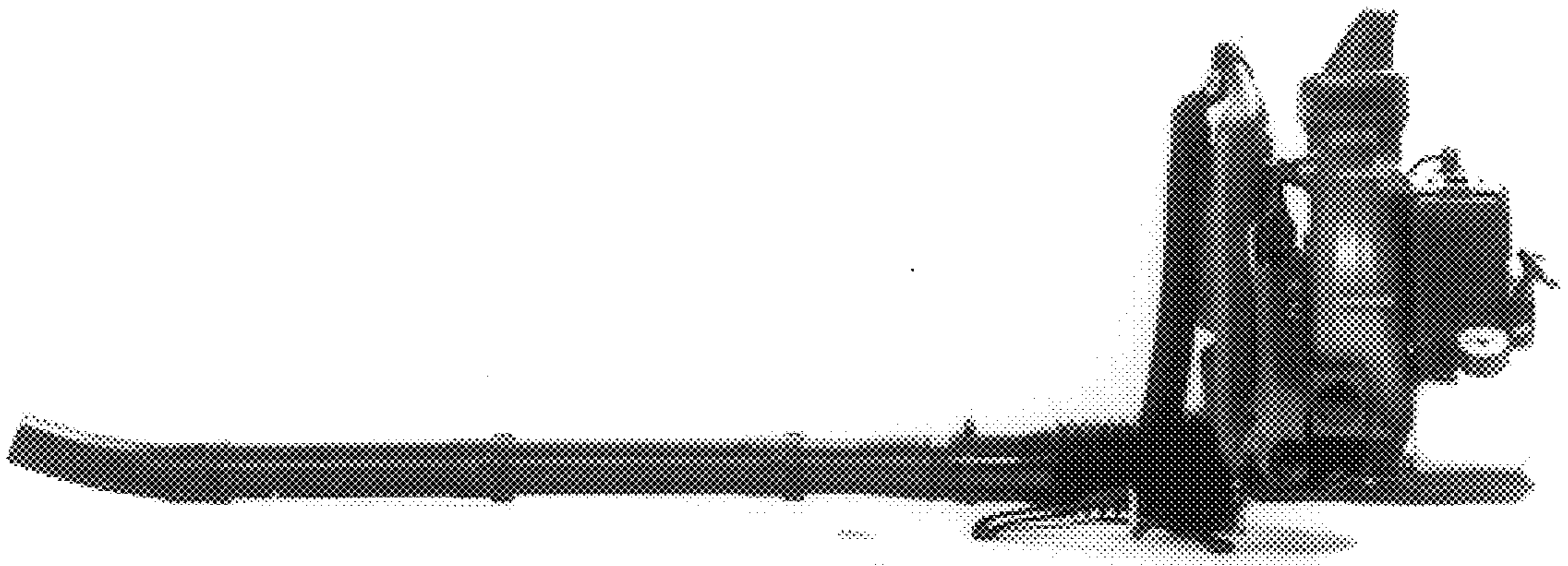


FIG. 3

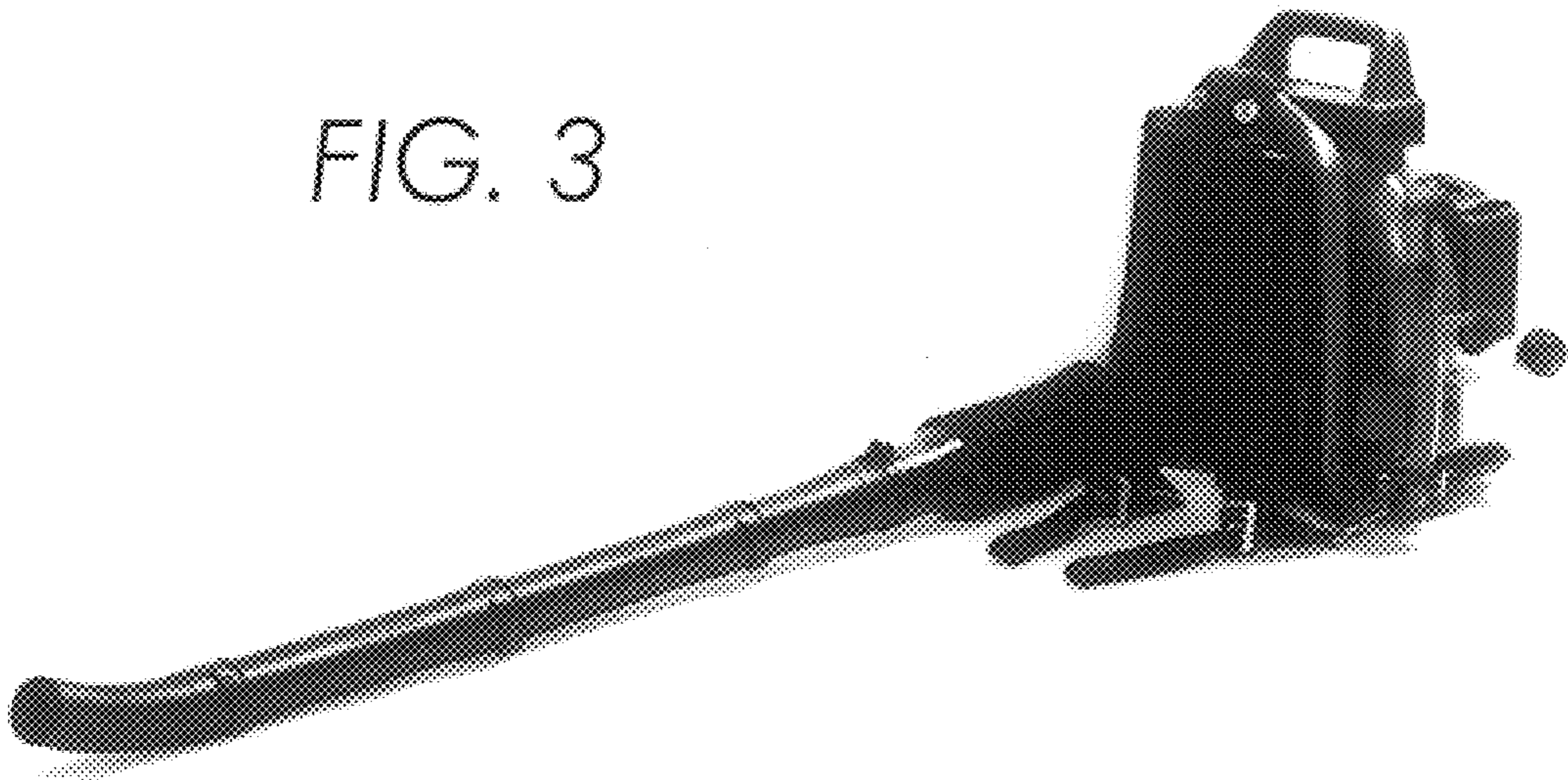


FIG. 4

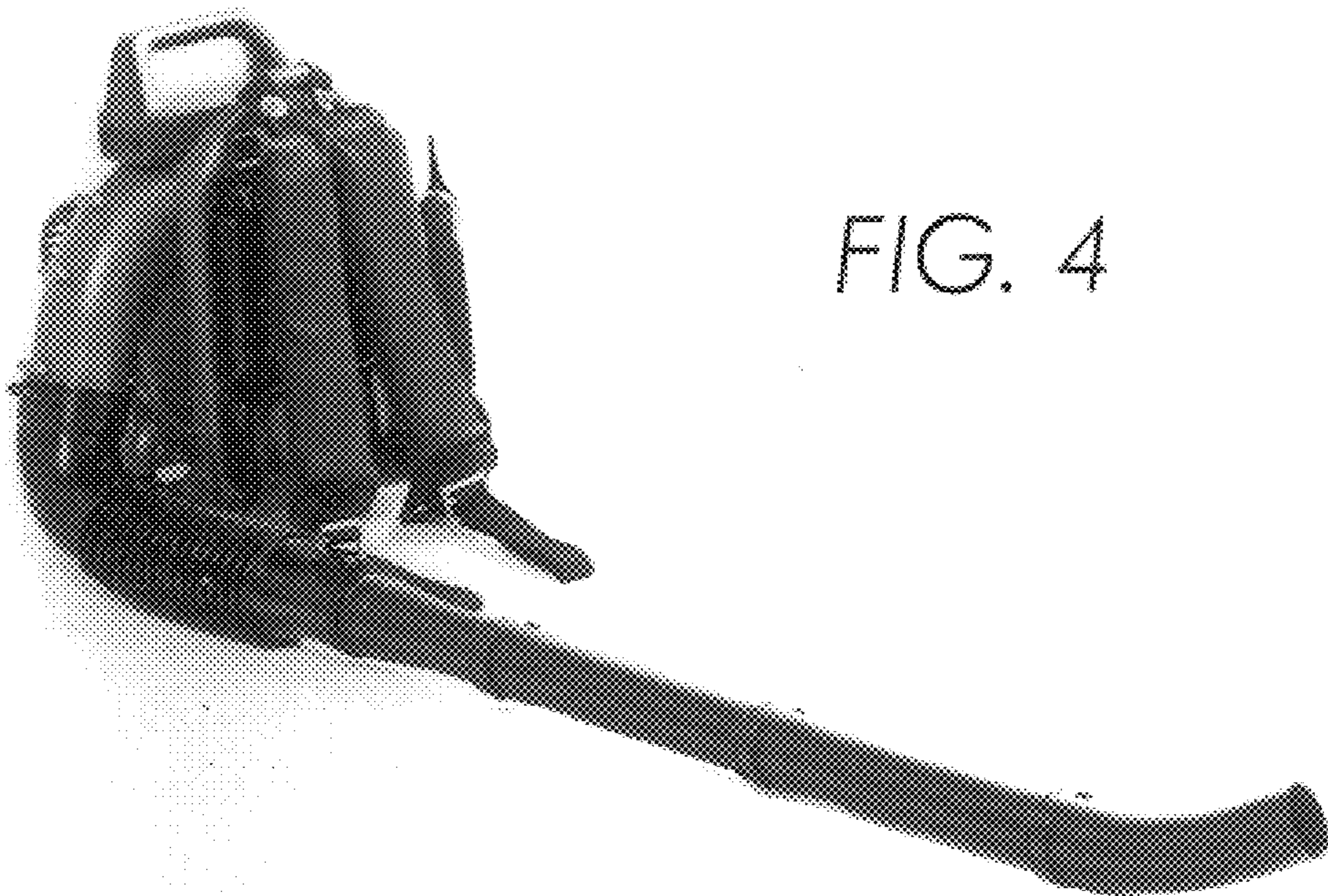


FIG. 6

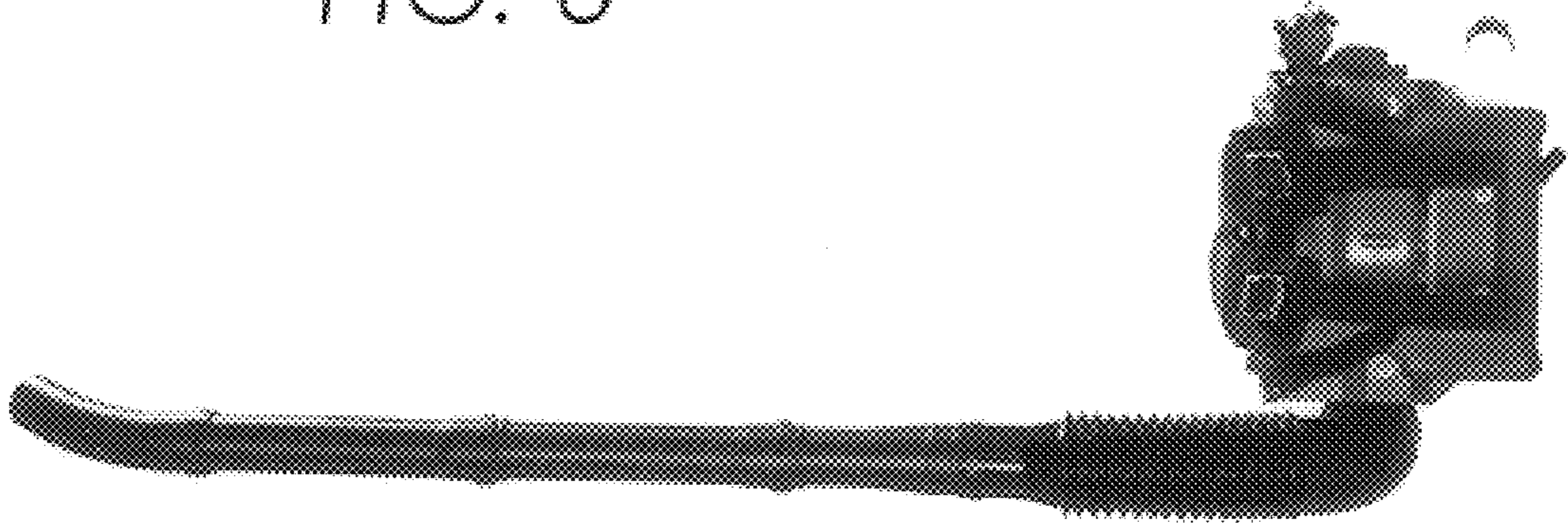


FIG. 5



FIG. 7

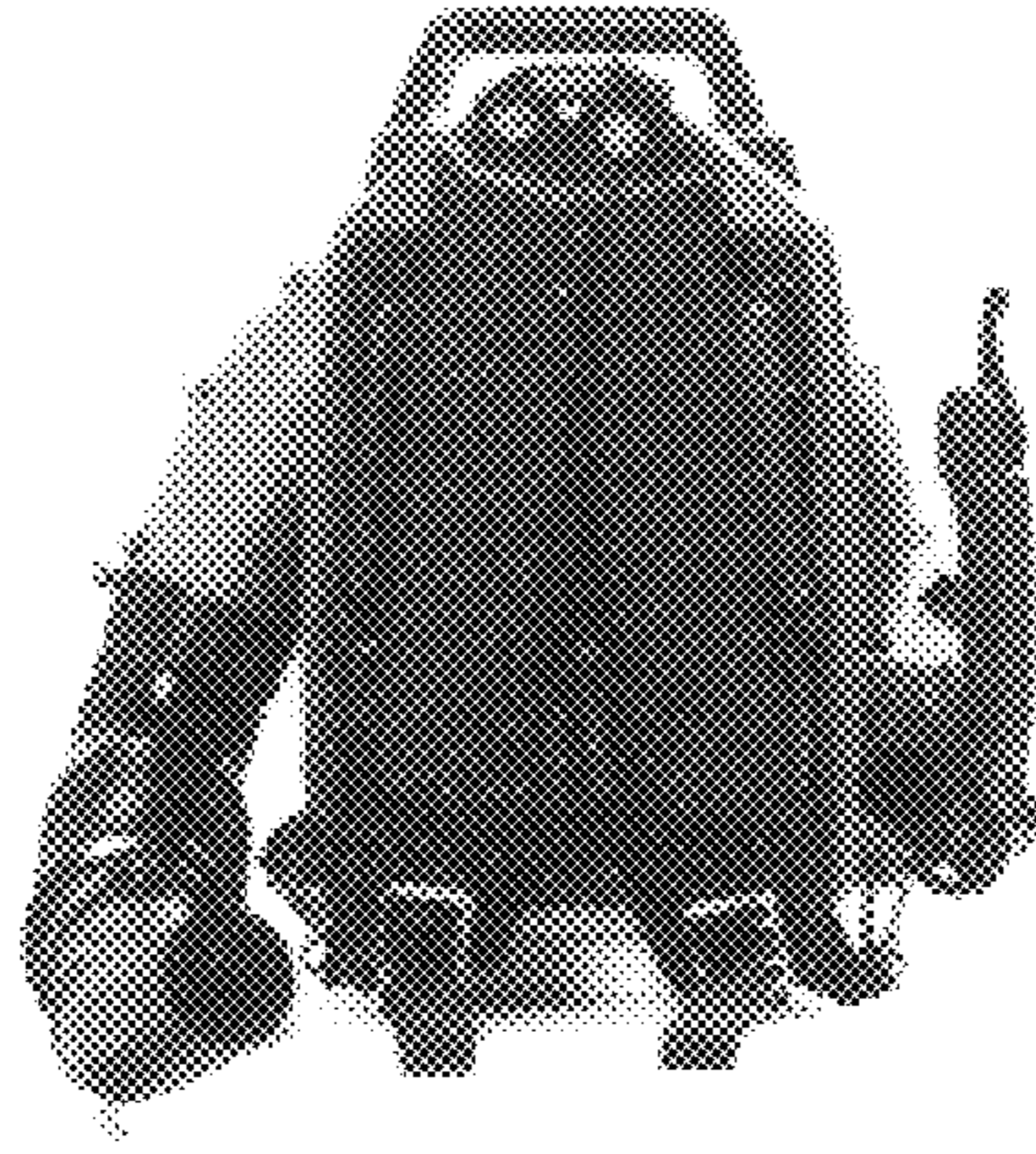


FIG. 8



FIG. 9

