



US00D427391S

United States Patent [19] Gill

[11] Patent Number: **Des. 427,391**

[45] Date of Patent: **** Jun. 27, 2000**

[54] **FLASHING DOG BONE CHEW TOY**

[75] Inventor: **John M. Gill**, Minnetonka, Minn.

[73] Assignee: **Sun Hockey, Inc.**, Eden Prairie, Minn.

[**] Term: **14 Years**

[21] Appl. No.: **29/112,886**

[22] Filed: **Oct. 26, 1999**

[51] **LOC (7) Cl.** **30-99**

[52] **U.S. Cl.** **D30/160**

[58] **Field of Search** D21/681; D30/166;
119/702, 705-711; 473/575-576; 426/101,
104

[56] **References Cited**

U.S. PATENT DOCUMENTS

D. 119,035	2/1940	Lindgren	D30/160
D. 177,539	4/1956	Varn	D30/160
D. 253,373	11/1979	Celeste	D30/160
D. 256,503	8/1980	Moustakas	D30/160
D. 274,468	6/1984	Perry	D30/160
D. 343,262	1/1994	Axelrod	D30/160
D. 357,952	5/1995	Chen	D30/160
D. 374,519	10/1996	Ruble	D30/160
D. 394,414	5/1998	Catalano	D30/160
D. 394,703	5/1998	Wijaranakula	D30/160

D. 408,948	4/1999	Huettner et al.	D30/160
D. 415,803	10/1999	Cousins	D21/681
D. 417,319	11/1999	Weiss, Jr.	D30/160
D. 418,639	1/2000	Simon	D30/160
874,049	12/1907	Borsch	D30/160
2,131,229	9/1938	McMennamin	119/711
3,104,648	9/1963	Fisher	119/711
5,191,856	3/1993	Gordon	119/711
5,619,954	4/1997	Rotondi	119/707
5,857,431	1/1999	Peterson	119/710

OTHER PUBLICATIONS

PETSMART catalog; p. 16; #L20-4072 vinyl dumbbell chew toy.

R.C.Steele catalog; p. 70; #Z20-0127 latex barbell dog toy.

Primary Examiner—Cathy Anne MacCormac
Attorney, Agent, or Firm—Chad Klingbeil

[57] **CLAIM**

The ornamental design for a flashing dog bone chew toy, substantially as shown and described.

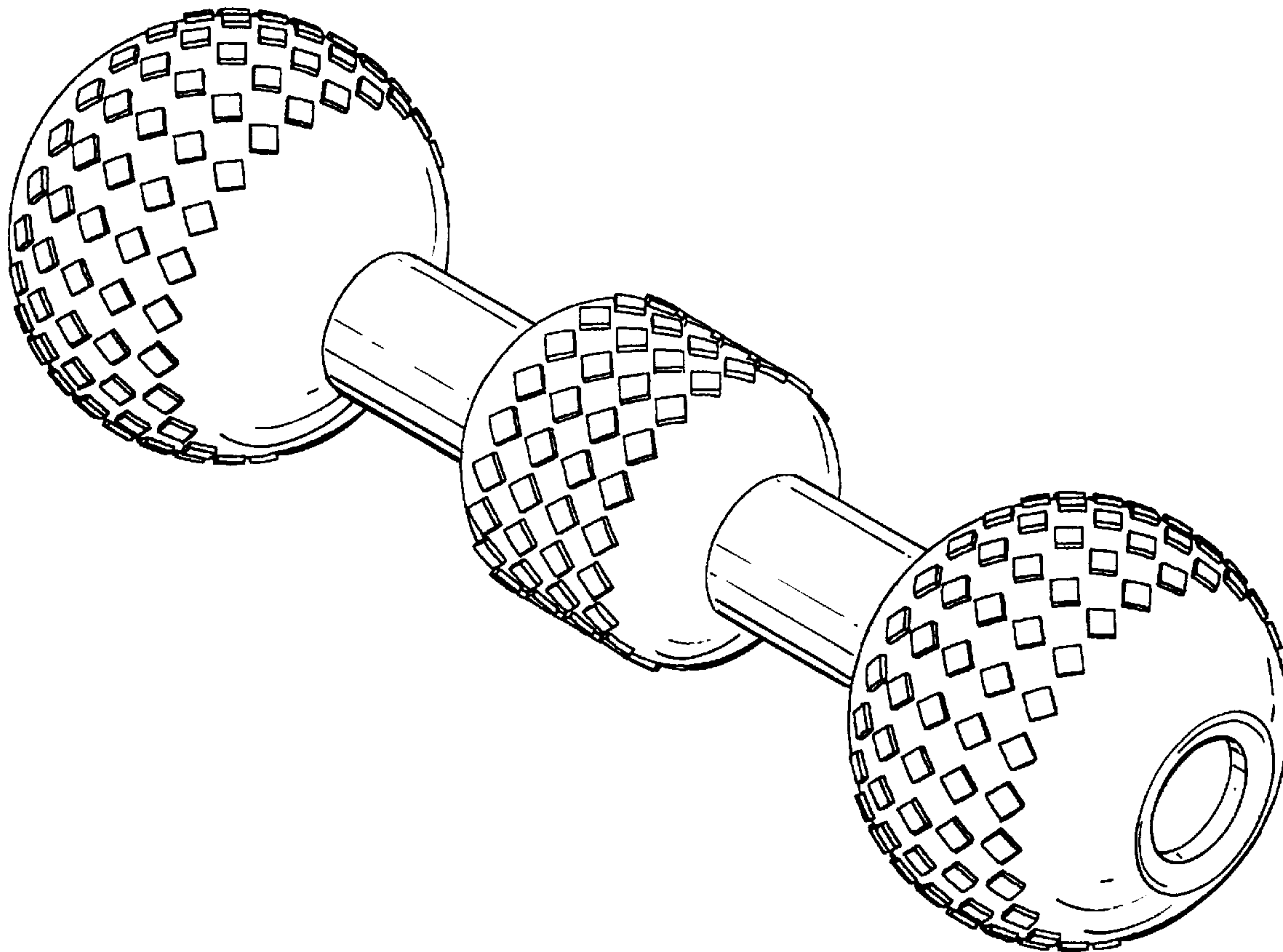
DESCRIPTION

FIG. 1 is a perspective view of a flashing dog bone chew toy showing our new design;

FIG. 2 is a top plan view thereof; and,

FIG. 3 is a right side view thereof.

1 Claim, 2 Drawing Sheets



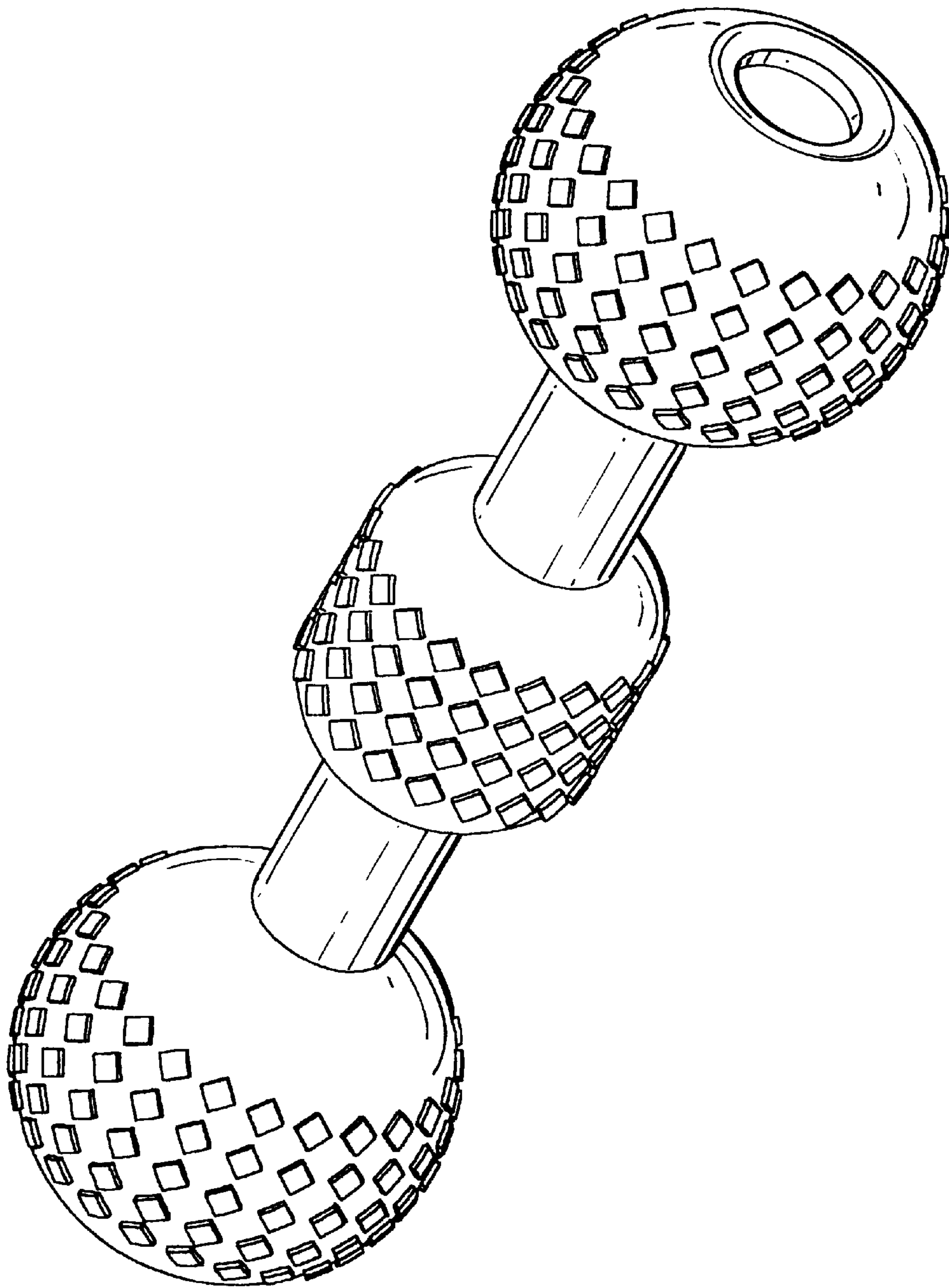


FIG. 1

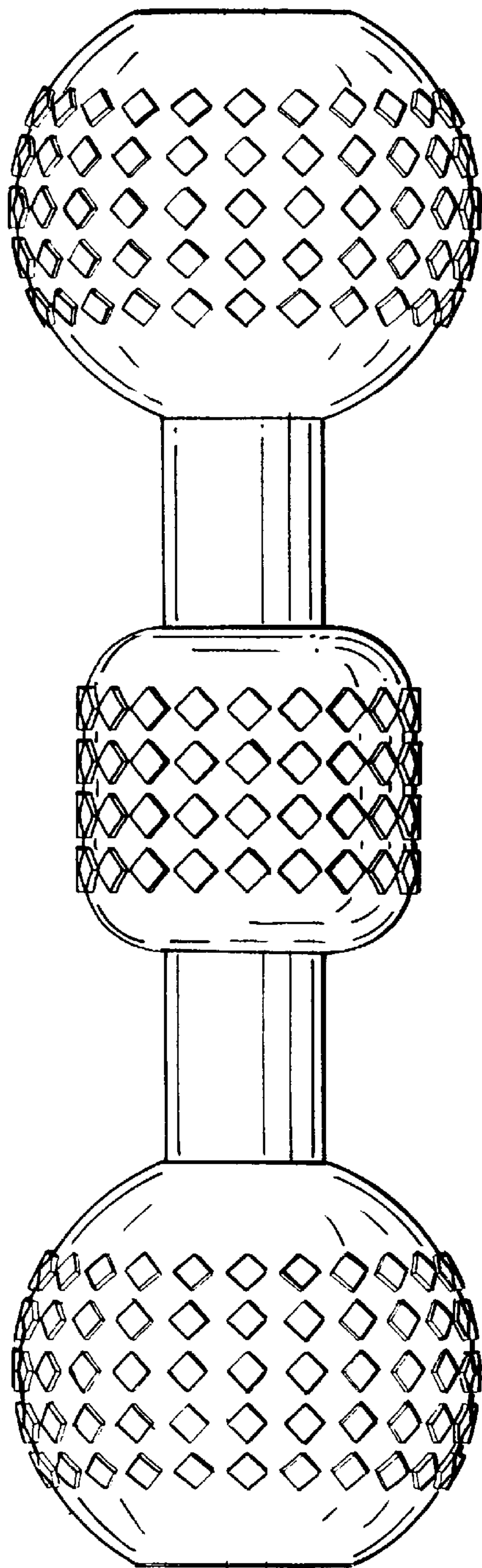


FIG. 2

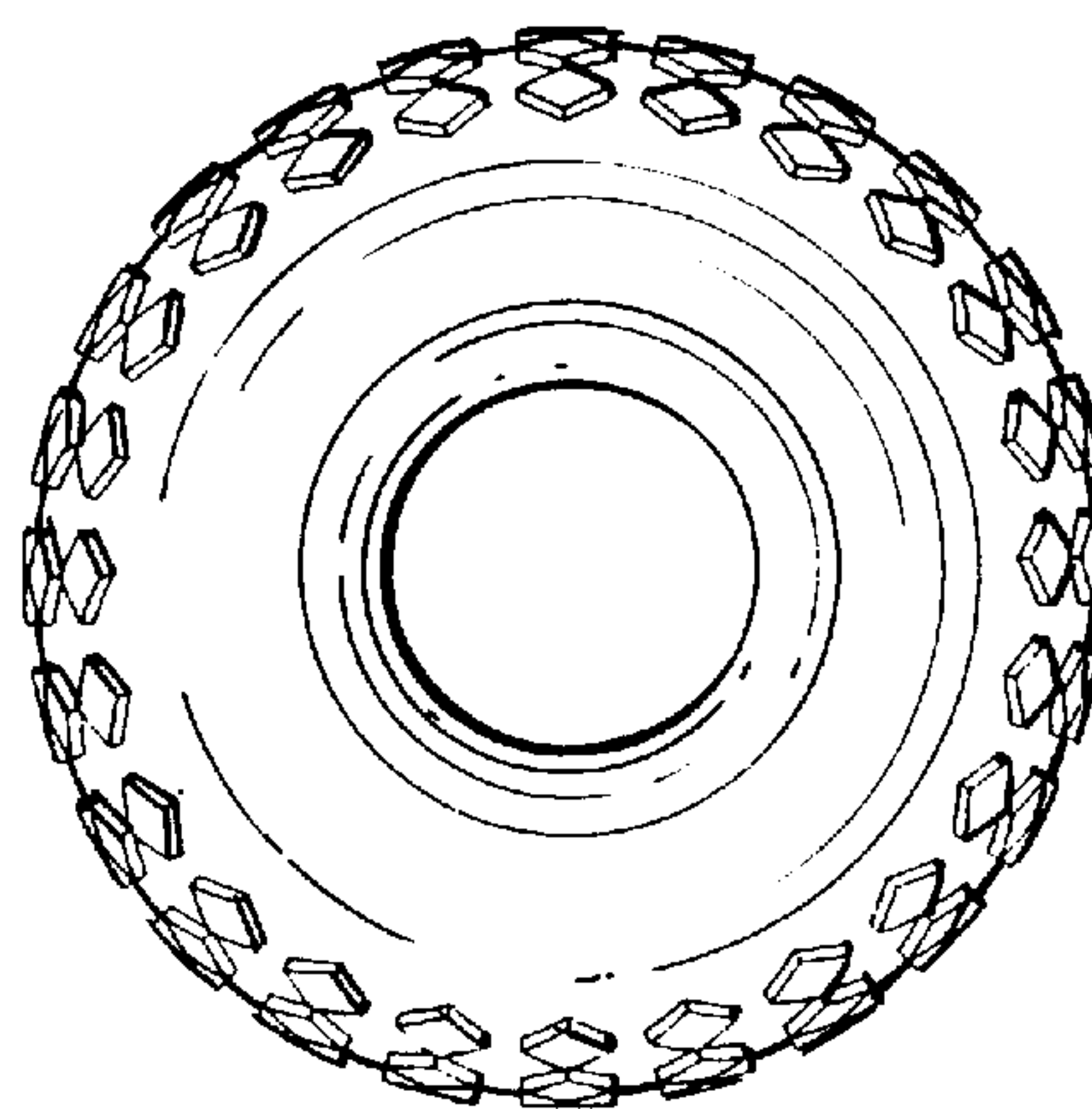


FIG. 3