



US00D427388S

United States Patent [19] Sullivan

[11] Patent Number: **Des. 427,388**

[45] Date of Patent: **** Jun. 27, 2000**

[54] **LIVESTOCK BLOW DRYER**

[75] Inventor: **John L. Sullivan**, Dunlap, Iowa

[73] Assignee: **Sullivan Supply, Inc.**, Dunlap, Iowa

[**] Term: **14 Years**

[21] Appl. No.: **29/108,807**

[22] Filed: **Aug. 3, 1999**

[51] **LOC (7) Cl.** **30-99**

[52] **U.S. Cl.** **D30/158**

[58] **Field of Search** D30/158, 199;
54/1; 119/600-605; D32/21; 34/97; 392/383

[56] **References Cited**

U.S. PATENT DOCUMENTS

2,353,247	7/1944	Kuettel	392/383
2,713,627	7/1955	Kamataris	392/383
2,898,691	8/1959	Moseman	34/97
3,261,107	7/1966	Ponczek et al.	34/97
3,596,636	8/1971	Stobauch	119/600
4,718,375	1/1988	Krieger	119/600

OTHER PUBLICATIONS

R.C. Steele, *Animal Dryers*, Jan. 4, 1997, p. 41.

Primary Examiner—Louis S. Zarfes

Assistant Examiner—Catherine R. Oliver

Attorney, Agent, or Firm—Schwegman, Lundberg,
Woessner & Kluth, P.A.

[57] **CLAIM**

The ornamental design for a livestock blow dryer, as shown and described.

DESCRIPTION

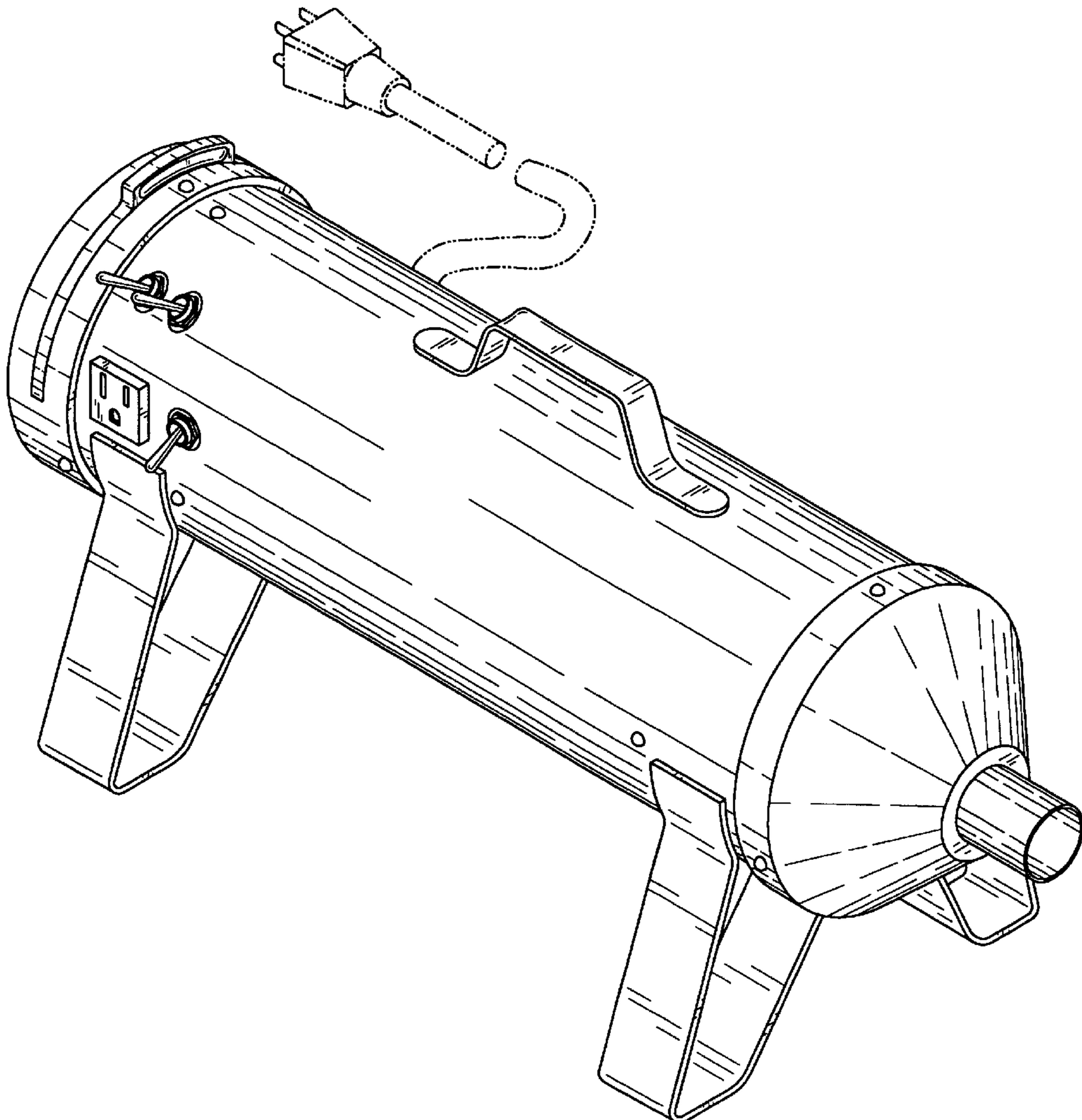
FIG. 1 is a right front perspective view of a livestock blow dryer according to the present invention;

FIG. 2 is a left rear perspective view of the livestock blow dryer of FIG. 1; and,

FIG. 3 is a front elevation view of the livestock blow dryer of FIG. 1.

The broken line showing of environment in FIGS. 1-3 is for illustrative purposes only and forms no part of the claimed design.

1 Claim, 3 Drawing Sheets



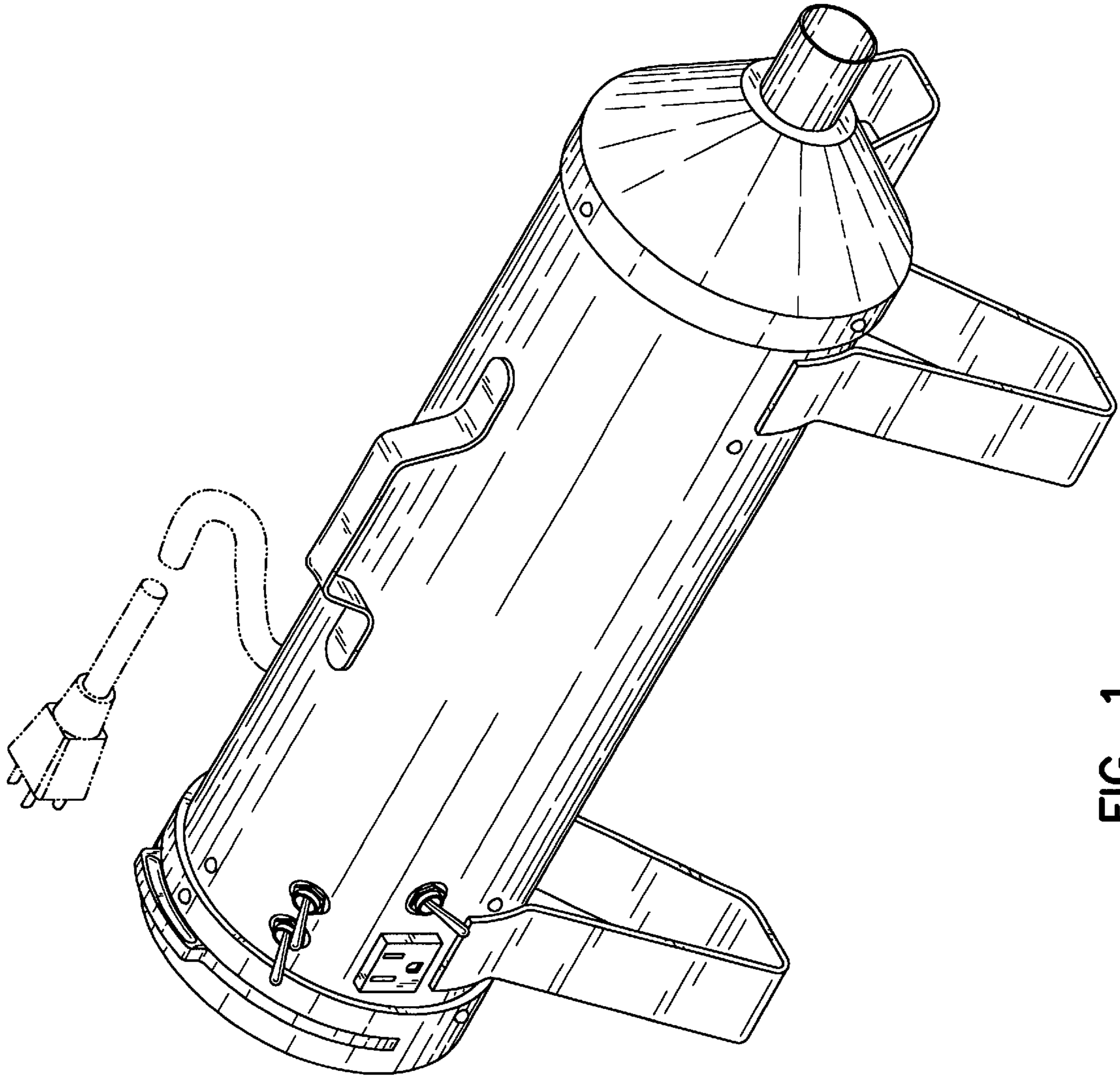


FIG. 1

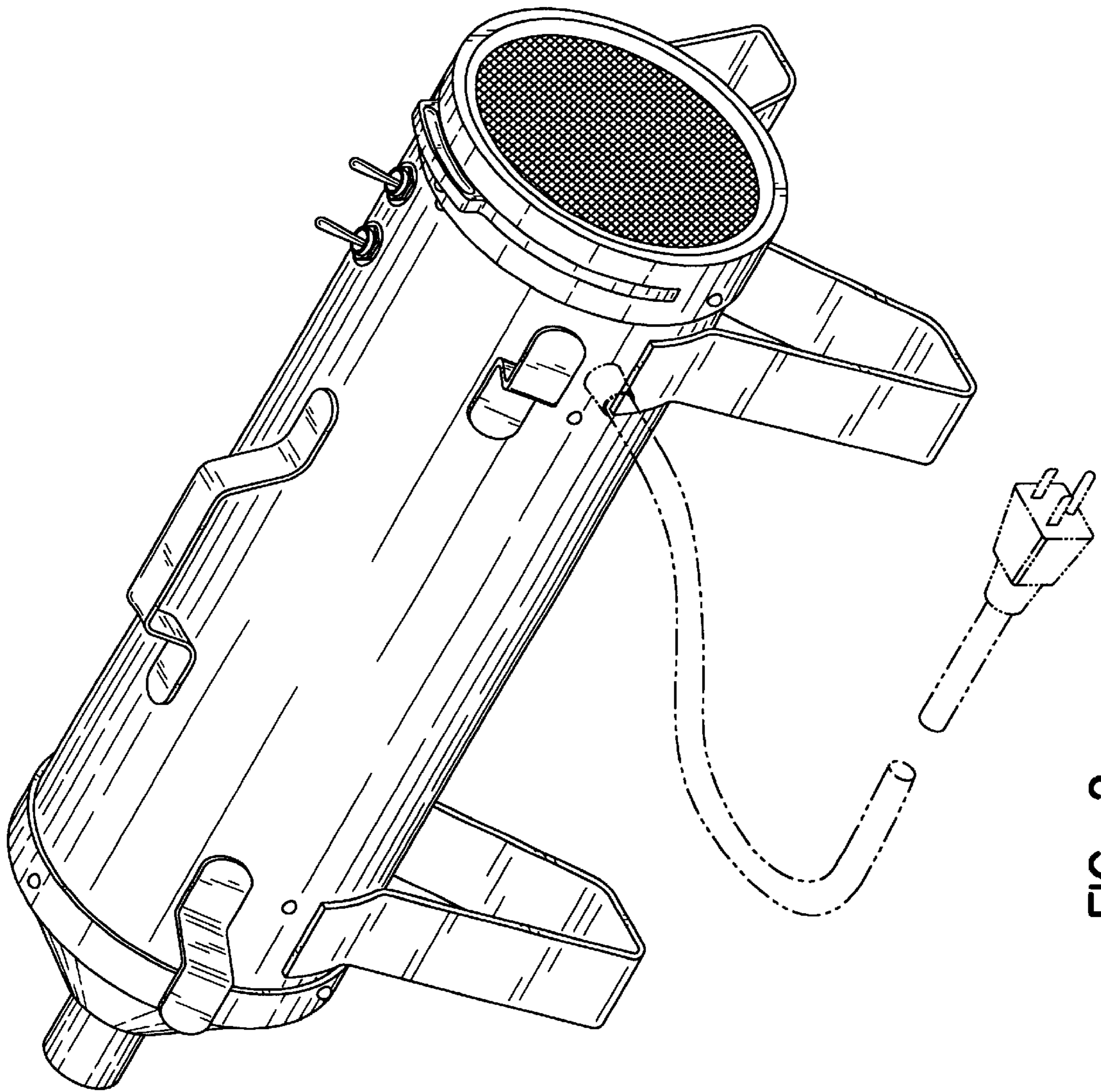


FIG. 2

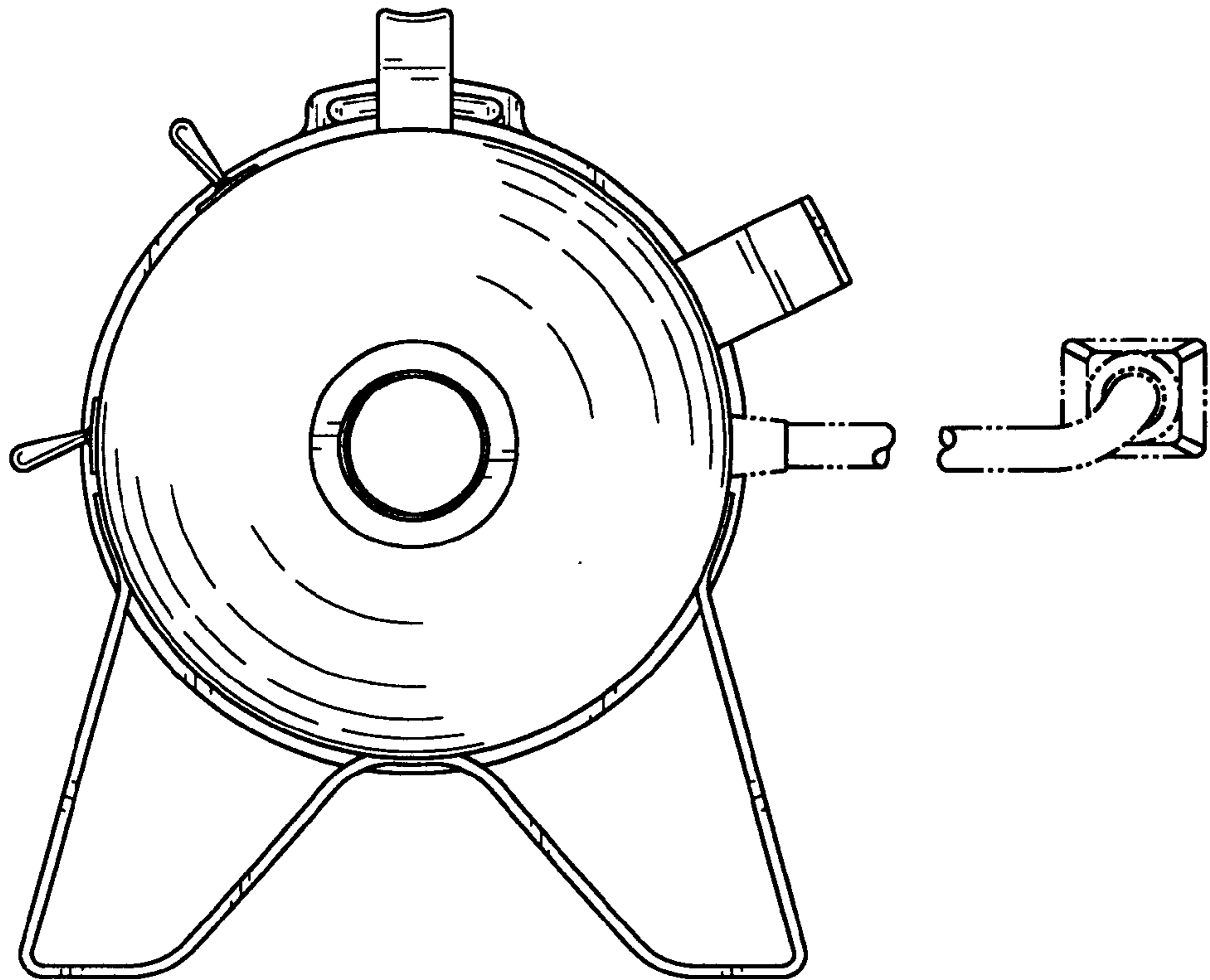


FIG. 3