



US00D427385S

United States Patent [19]
Wawzonek

[11] **Patent Number: Des. 427,385**
[45] **Date of Patent: ** Jun. 27, 2000**

[54] **BIRD HOUSE**

5,145,440 9/1992 Boris et al. 446/106

[76] Inventor: **Stanley Wawzonek, R.R. #1,**
Jerseyville, Ontario, Canada, L0R 1R0

OTHER PUBLICATIONS

Backyard Birds & Co. vol. 8, Smoky Mtn. Chalets,
1990-1991, p. 7.

[**] Term: **14 Years**

Backyard Birds & Co. vol.8, Log Cabin. 1990-1991, p. 27.

[21] Appl. No.: **29/091,643**

Primary Examiner—Louis S. Zarfaz

[22] Filed: **Aug. 3, 1998**

Assistant Examiner—Catherine R. Oliver

Attorney, Agent, or Firm—Robert F. Delbridge

[51] **LOC (7) Cl. 30-02**

[52] **U.S. Cl. D30/110**

[58] **Field of Search** D30/108, 110,
D30/111, 124-128; D25/7; 119/23, 51.04,
52.3, 57.8, 57.9, 57.91, 428, 429, 431,
432, 433, 434, 347; 446/106

[57] **CLAIM**

The ornamental design for a bird house, as shown and described.

[56] **References Cited**

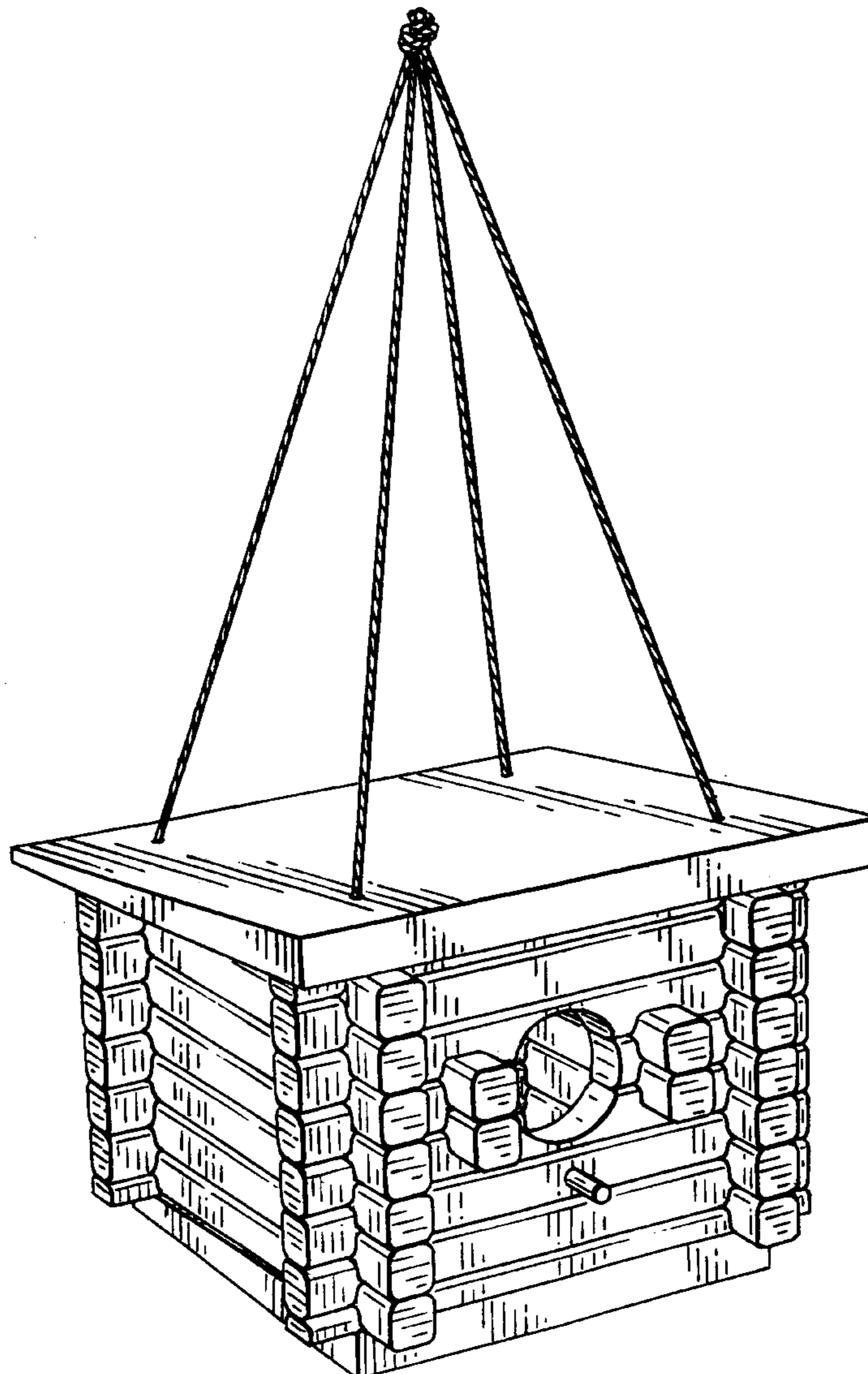
DESCRIPTION

FIG. 1 is a front, left side and top perspective view of the bird house showing my new design; and, FIG. 2 is a rear and bottom perspective view thereof, with the right side being a mirror image of the side shown.

U.S. PATENT DOCUMENTS

D. 364,010 11/1995 Wawzonek D30/125
2,669,060 2/1954 Kalvig D30/108 X

1 Claim, 2 Drawing Sheets



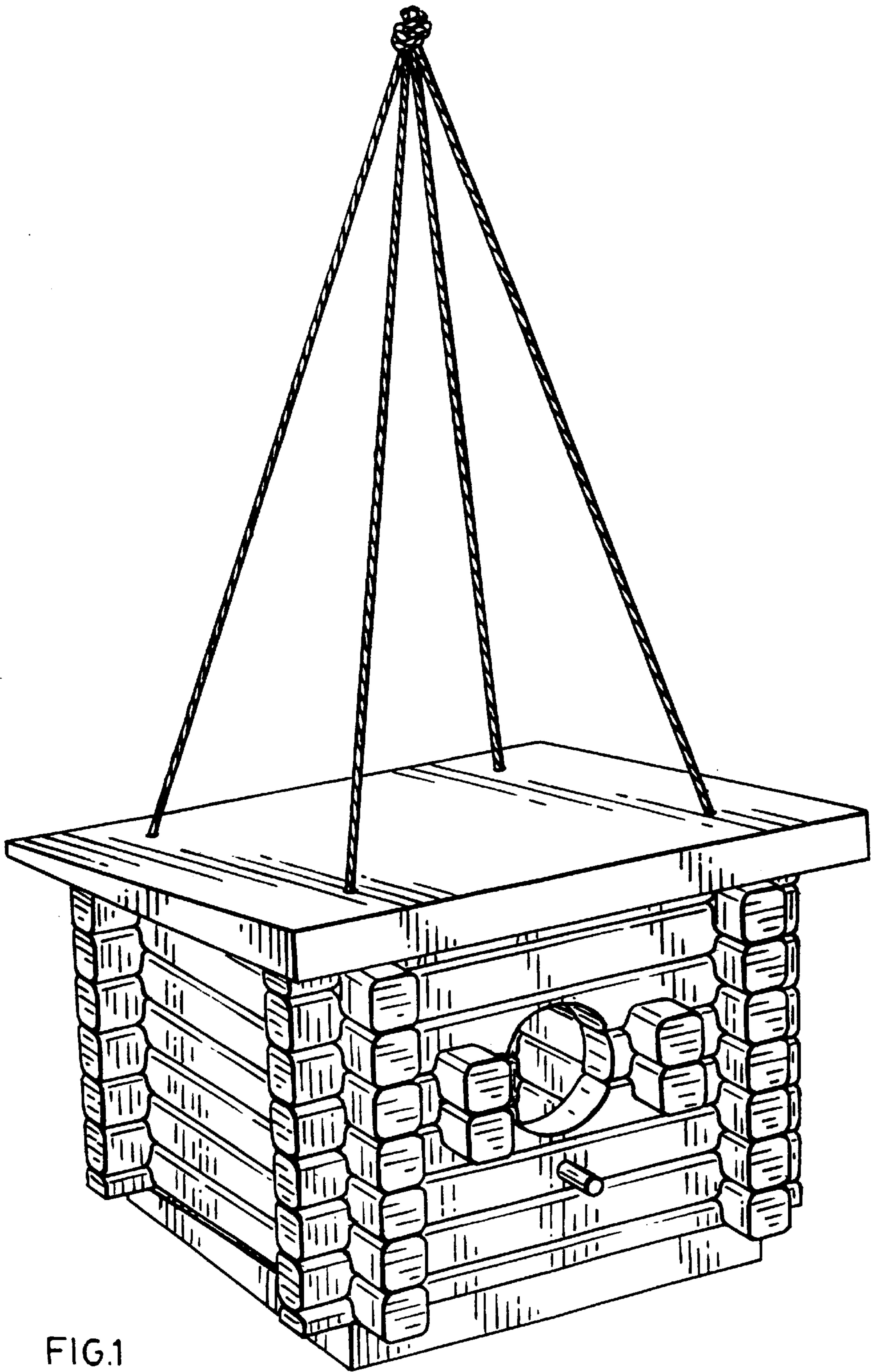


FIG.1

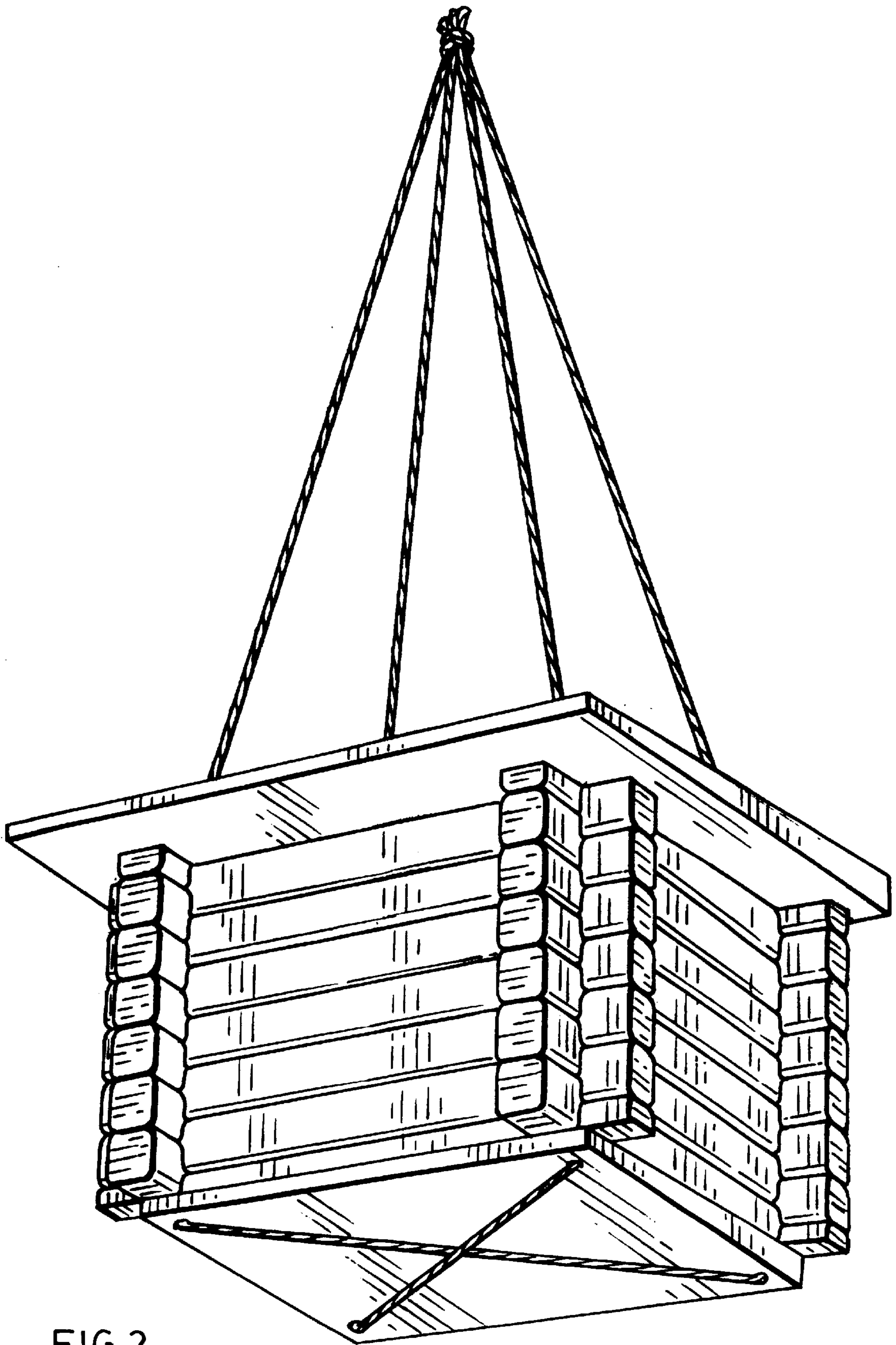


FIG. 2