



US00D427380S

United States Patent [19]
Robertson

[11] **Patent Number: Des. 427,380**
[45] **Date of Patent: ** Jun. 27, 2000**

[54] **REFLECTIVE SAFETY SASH**
[76] Inventor: **Clifford B. Robertson**, 520 Jason Dr.,
Lady Lake, Fla. 32159
[**] Term: **14 Years**
[21] Appl. No.: **29/112,013**
[22] Filed: **Oct. 10, 1999**
[51] **LOC (7) Cl. 02-05**
[52] **U.S. Cl. D29/101**
[58] **Field of Search** D29/100, 101,
D29/122, 124; D2/829, 830, 860, 626;
2/455-457, 462-463, 48, 92, 102-105,
913, 914, 915; 182/3; 362/108

1,825,088 9/1931 Powell et al. 362/108
3,276,416 10/1966 Dirks et al. 116/28
3,901,579 8/1975 Demerest 350/98
4,534,619 8/1985 Bedford 350/98
5,575,004 11/1996 Eisele et al. 2/1

FOREIGN PATENT DOCUMENTS

0 026 600 11/1980 European Pat. Off. .

Primary Examiner—Louis S. Zarfaz
Assistant Examiner—Robert A. Delehanty

[57] **CLAIM**

The ornamental design for a reflective safety sash, as shown and described.

DESCRIPTION

FIG. 1 is a front elevational view of the reflective safety sash showing my design;
FIG. 2 is a rear elevational view thereof;
FIG. 3 is a left side elevational view thereof; and,
FIG. 4 is a right side elevational view thereof.

[56] **References Cited**

U.S. PATENT DOCUMENTS

D. 304,522 11/1989 Weidman et al. D2/626
D. 307,039 4/1990 Molinare D2/829
D. 346,482 5/1994 Merrill D2/627
D. 410,303 5/1999 Hawkinson D29/101

1 Claim, 2 Drawing Sheets

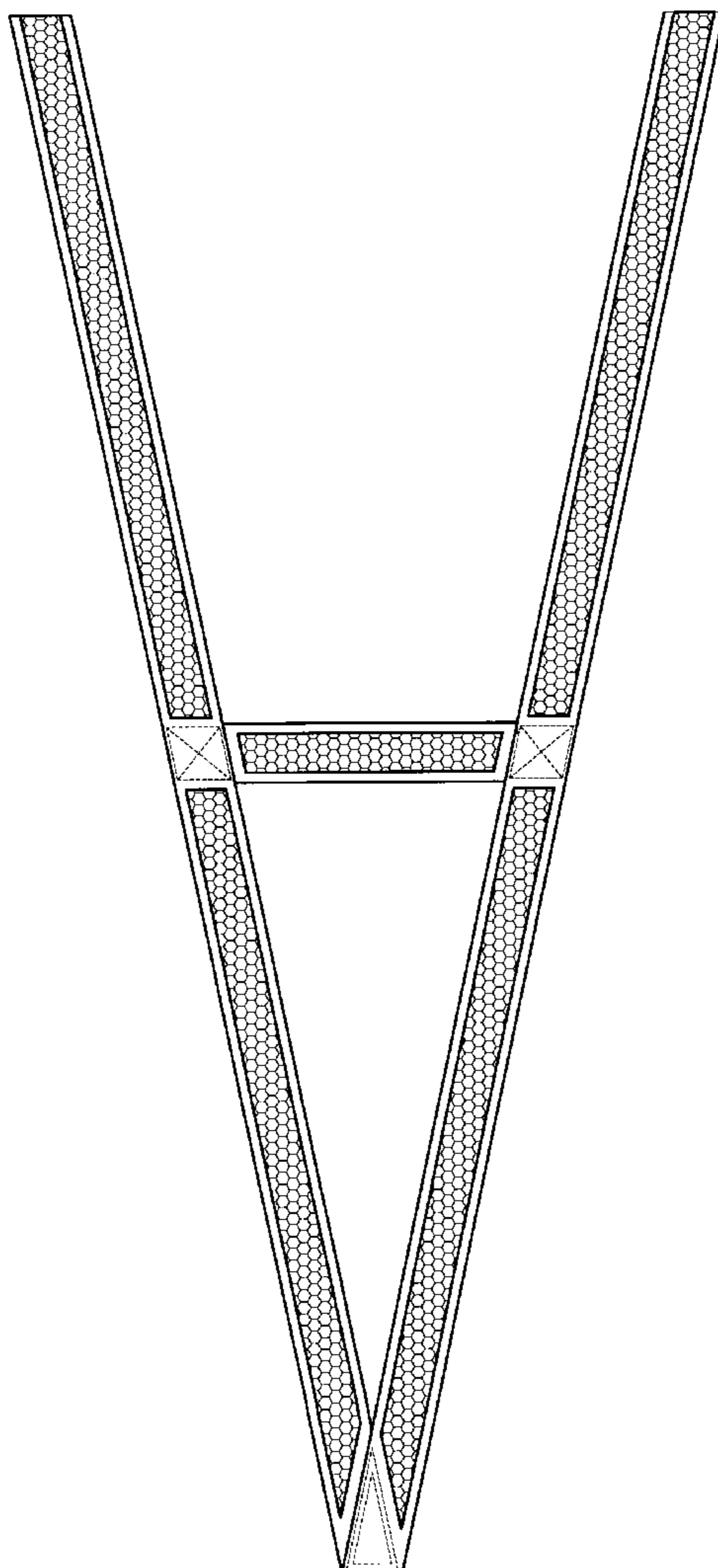


FIG. 1

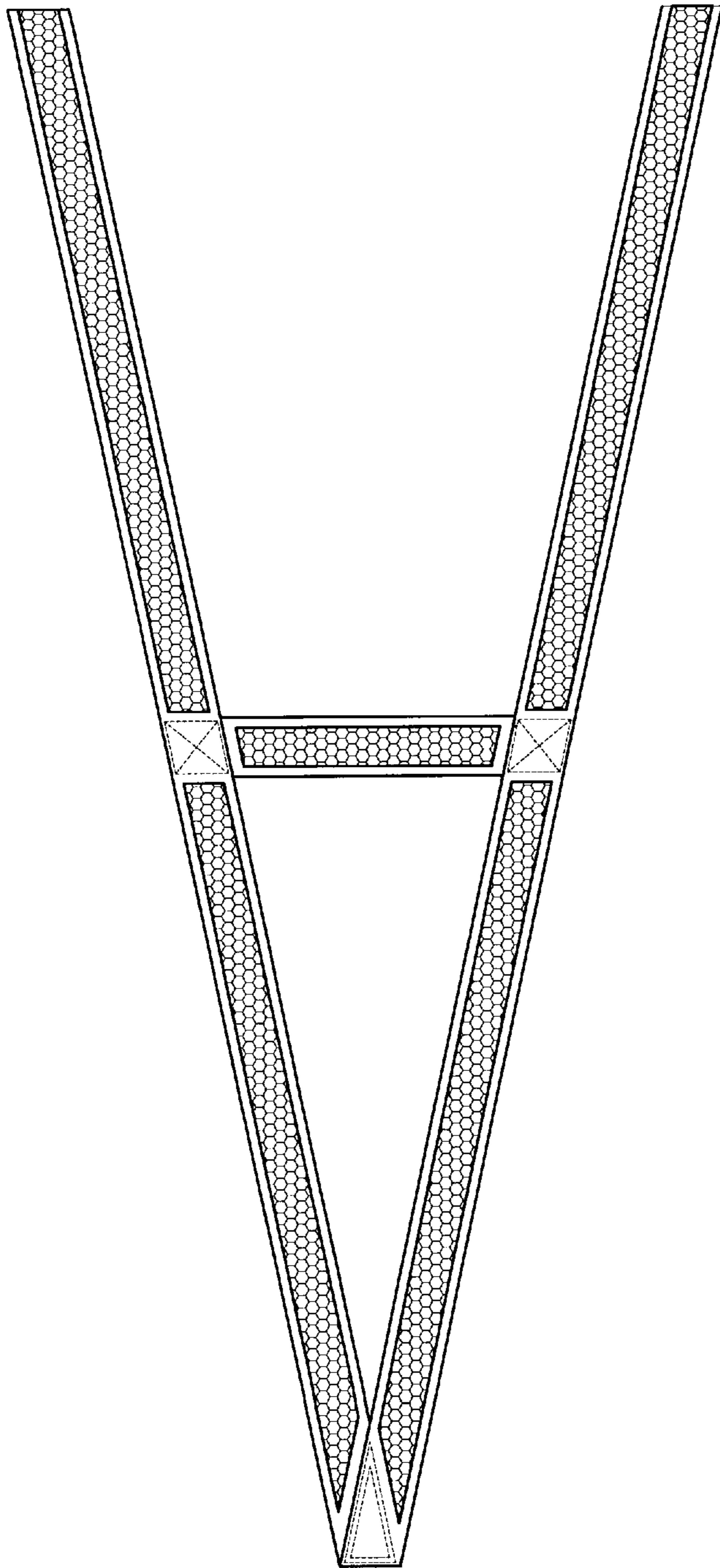


FIG. 2

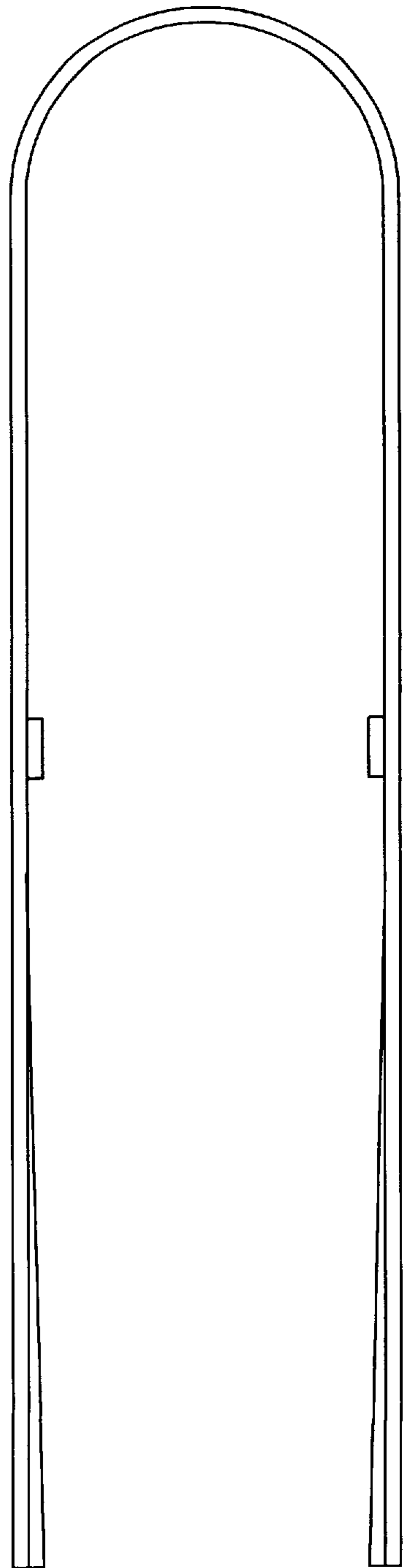


FIG. 3

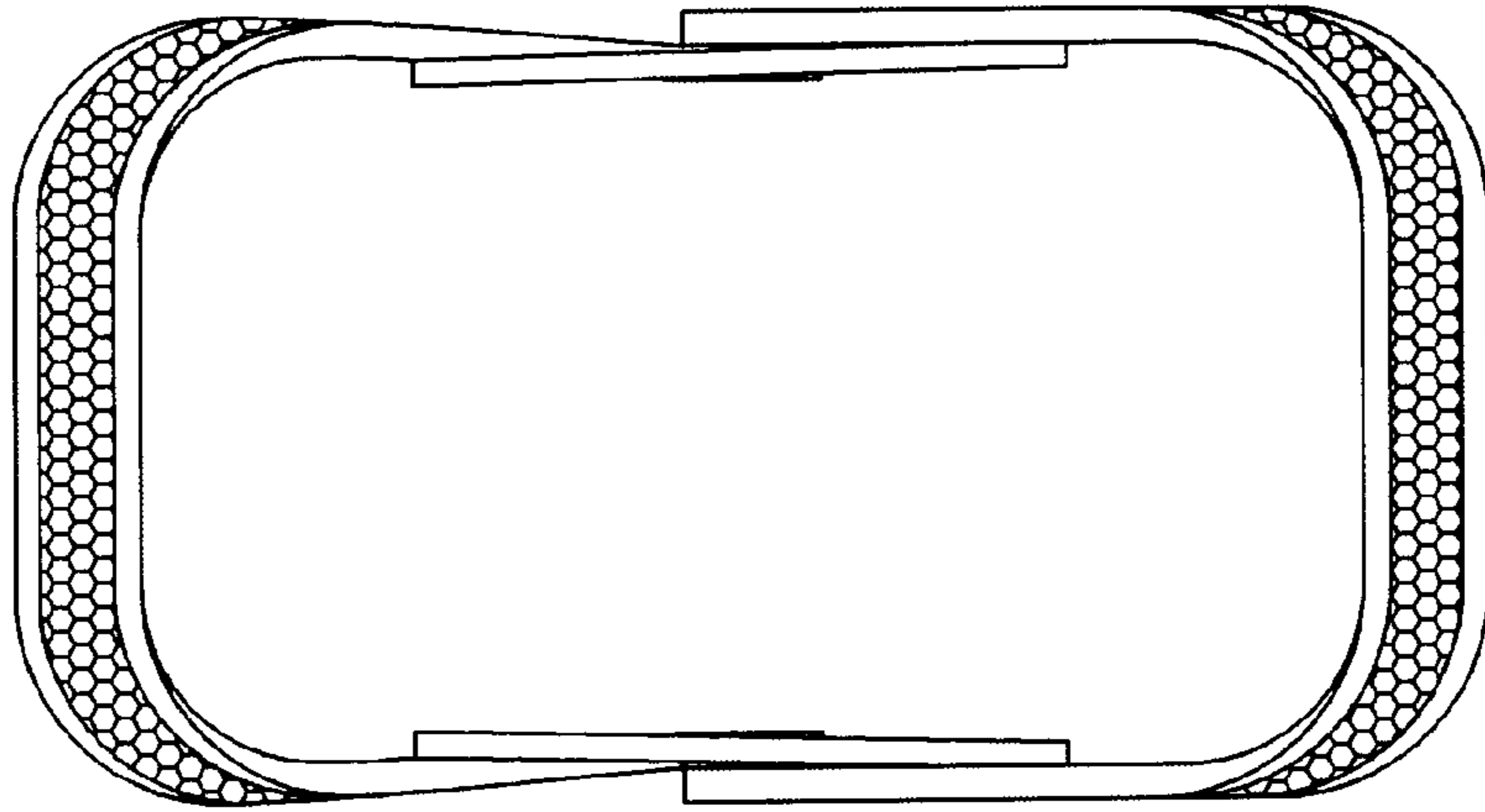


FIG. 4

