



US00D427379S

United States Patent [19] Thorpe

[11] Patent Number: **Des. 427,379**

[45] Date of Patent: **** Jun. 27, 2000**

[54] FINGER RING COSMETIC CONTAINER

[75] Inventor: **James Thorpe**, Beckenham, United Kingdom

[73] Assignee: **HCT Limited**, Hong Kong, China

[**] Term: **14 Years**

[21] Appl. No.: **29/095,409**

[22] Filed: **Oct. 22, 1998**

[51] LOC (7) Cl. **28-03**

[52] U.S. Cl. **D28/77; D28/79; D11/26; D11/2**

[58] Field of Search D28/76-84; D3/201, D3/203, 205, 215, 274; D9/337, 418; D11/2, 26; 132/286, 293-307; 206/235, 581, 823; 220/914, DIG. 26; 63/1.1, 1.14, 3, 3.2, 15; 224/217-222, 163-165, 235, 241, 255, 267, 663, 671-673, 678, 679

[56] References Cited

U.S. PATENT DOCUMENTS

- D. 66,901 3/1925 Suderov D10/31
- D. 85,403 10/1931 Swanson .
- D. 119,196 2/1940 Frommer .
- D. 123,646 11/1940 Di Verdura .
- D. 125,612 3/1941 Dopyera .
- D. 140,109 1/1945 Pierce .
- D. 140,450 2/1945 Rubel .
- D. 141,655 6/1945 Rubel .
- D. 142,473 10/1945 Fisk .
- D. 143,966 2/1946 Fisk et al. .
- D. 143,967 2/1946 Fisk et al. .
- D. 145,394 8/1946 Graeter .
- D. 145,811 10/1946 Linduska .
- D. 146,104 12/1946 Graeter .
- D. 146,323 2/1947 Seech .
- D. 148,183 12/1947 Packales .
- D. 152,216 12/1948 Quethera .
- D. 152,486 1/1949 Lorillard .
- D. 152,604 2/1949 Fanelli .

- D. 154,531 7/1949 Caskey .
- D. 157,702 3/1950 Reilly .
- D. 159,495 8/1950 Linden D11/2
- D. 160,154 9/1950 Flamand .

(List continued on next page.)

FOREIGN PATENT DOCUMENTS

- 462170 1/1950 Canada 132/316
- 76219 4/1918 Switzerland 224/170

OTHER PUBLICATIONS

Essence, Sep. 1998, p. 30: compact indicated by arrow.

Primary Examiner—Ted Shooman

Assistant Examiner—C Tuttle

Attorney, Agent, or Firm—Norris, McLaughlin & Marcus

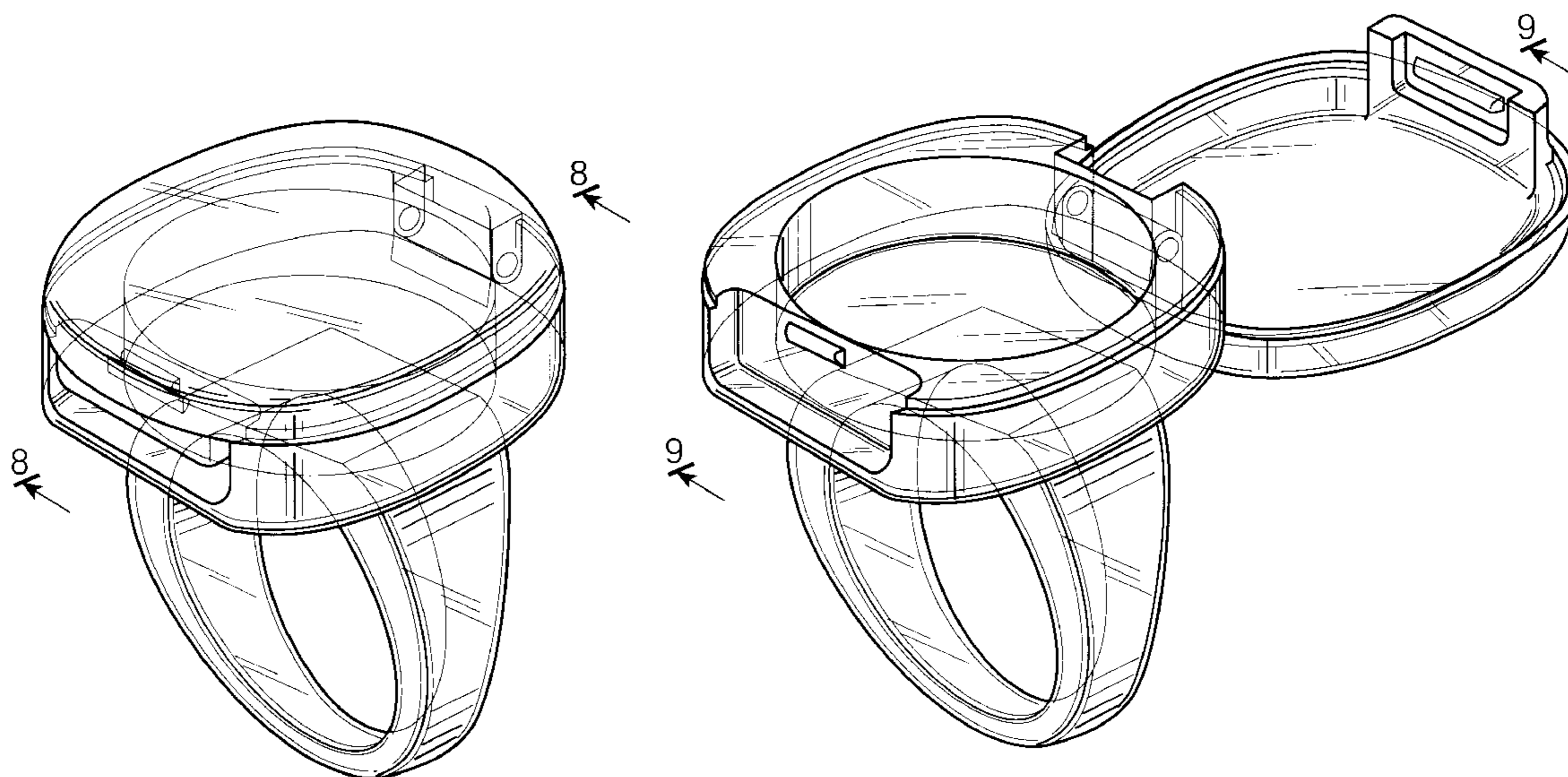
[57] CLAIM

I claim the ornamental design for a finger ring cosmetic container, as shown and described.

DESCRIPTION

FIG. 1 is a perspective view showing my new design with its cover in the closed position;
 FIG. 2 is a perspective view showing the cover in an open position;
 FIG. 3 is a front end elevational view showing the cover in its closed position;
 FIG. 4 is a back end elevational view showing the cover in its closed position.
 FIG. 5 is a side elevational view showing the cover in its closed position;
 FIG. 6 is a top plan view showing the cover in its closed position;
 FIG. 7 is a bottom plan view showing the cover in its closed position;
 FIG. 8 is a cross sectional view taken along line 8—8 of FIG. 1; and,
 FIG. 9 is a cross sectional view taken along line 9—9 of FIG. 2.

1 Claim, 4 Drawing Sheets



U.S. PATENT DOCUMENTS					
			1,752,719	4/1930	Baum .
			1,766,478	6/1930	Baker et al. .
			1,777,027	9/1930	D'Arlet .
			1,823,814	9/1931	Aiello .
			1,861,644	6/1932	Roberts .
			1,952,203	3/1934	Fox .
			1,975,507	10/1934	Hackel .
			1,982,248	11/1934	Gebhardt .
			2,079,043	5/1937	Samstag .
			2,138,640	11/1938	Levy .
			2,194,379	3/1940	Bicks .
			2,235,350	3/1941	Anderson .
			2,265,094	12/1941	Wolfe .
			2,377,717	6/1945	Reilly 220/844
			2,442,546	6/1948	Lipschitz et al. .
			2,473,226	6/1949	Sheldon .
			2,547,991	4/1951	Witbrod 306/301
			2,601,158	6/1952	MacGillivary .
			3,006,350	10/1961	Grunfeld .
			3,270,525	9/1966	Sellers .
			3,559,854	2/1971	Loveland .
			4,768,688	9/1988	Harrigan .
			5,244,135	9/1993	Nelson .
			5,390,510	2/1995	Tirio-Cloonan .
			5,476,194	12/1995	Hippely et al. .
D. 160,155	9/1950	Flamand .			
D. 166,420	4/1952	Schluttig .			
D. 170,526	10/1953	Del Mas .			
D. 182,337	3/1958	Konjoian .			
D. 236,037	7/1975	McCarthy D3/230			
D. 275,900	10/1984	Spector .			
D. 277,037	1/1985	Nadel D28/83			
D. 365,038	12/1995	Merritt .			
D. 402,412	12/1998	Thorpe D28/82			
477,825	6/1892	Russell .			
1,207,296	12/1916	Kastor .			
1,281,605	10/1918	Lloyd .			
1,412,943	4/1922	Kennedy .			
1,485,915	3/1924	Hammel .			
1,584,205	5/1926	Zaldo .			
1,607,985	11/1926	Johnson .			
1,609,481	12/1926	McCarthy et al. .			
1,614,374	1/1927	Lupo .			
1,623,994	4/1927	Buchsbaum et al. .			
1,644,404	10/1927	Squier .			
1,683,545	9/1928	Harris .			
1,692,194	11/1928	Allison .			
1,714,732	5/1929	Schneider .			
1,727,001	9/1929	Weaver .			

FIG. 1

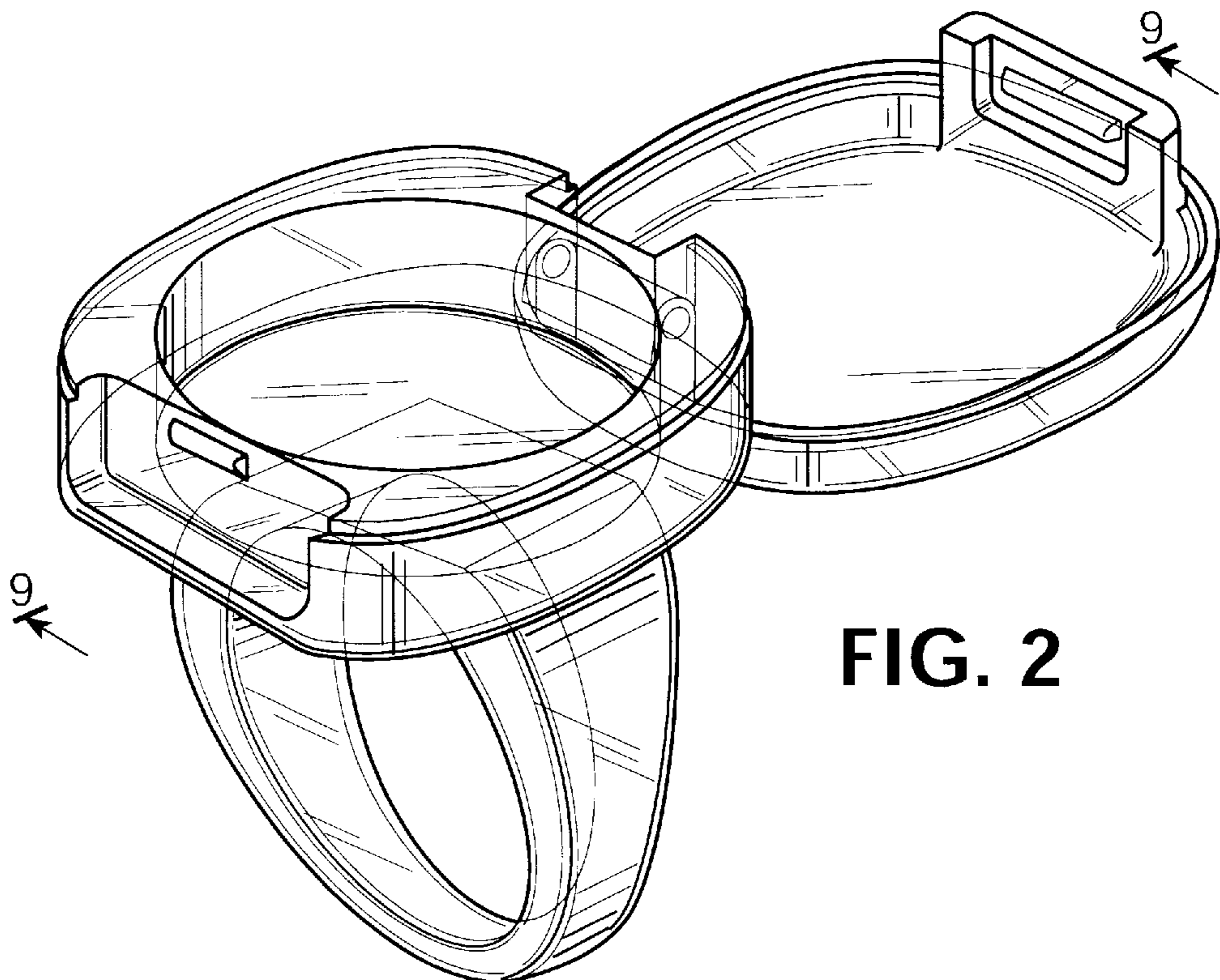
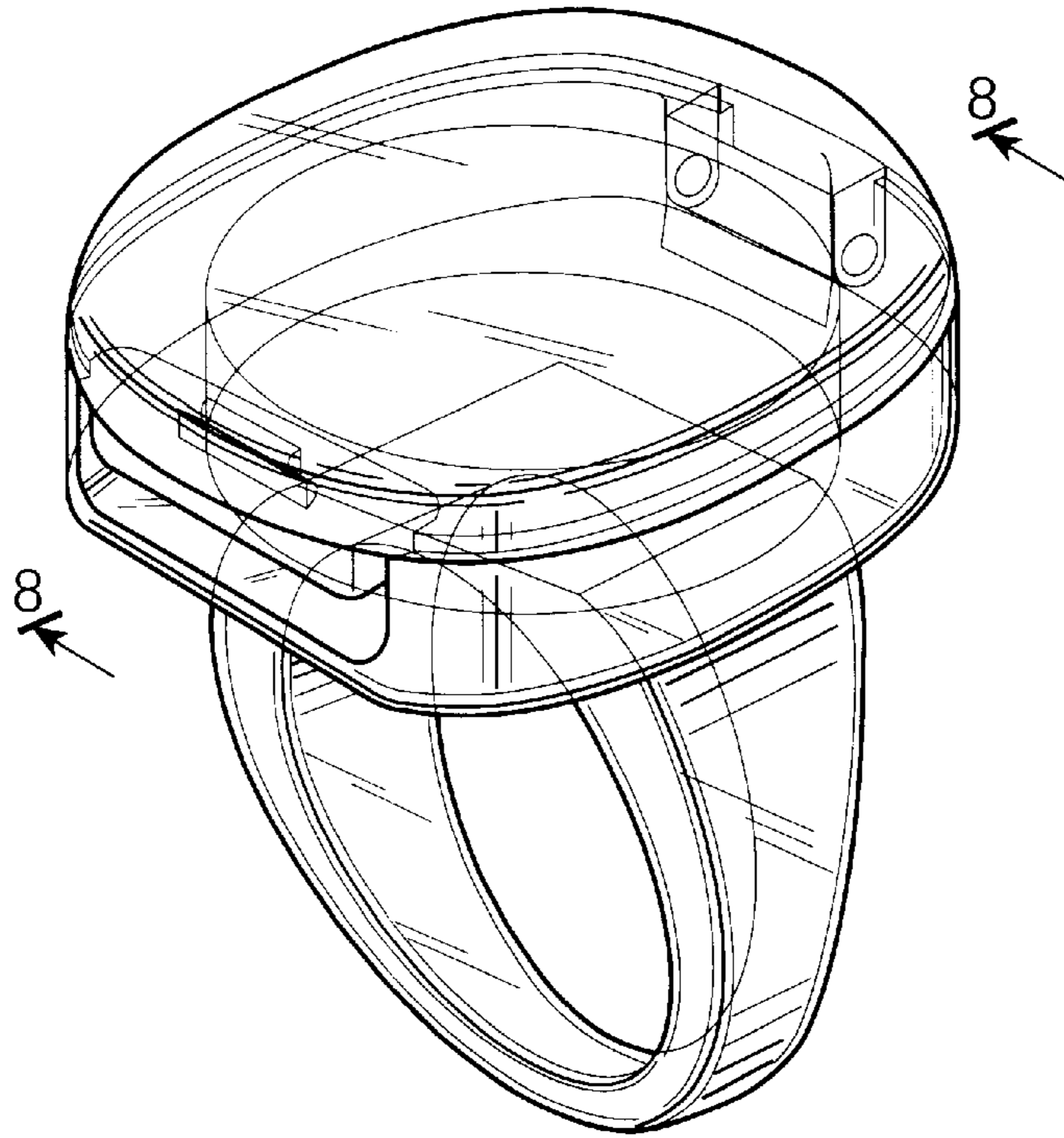


FIG. 2

FIG. 3

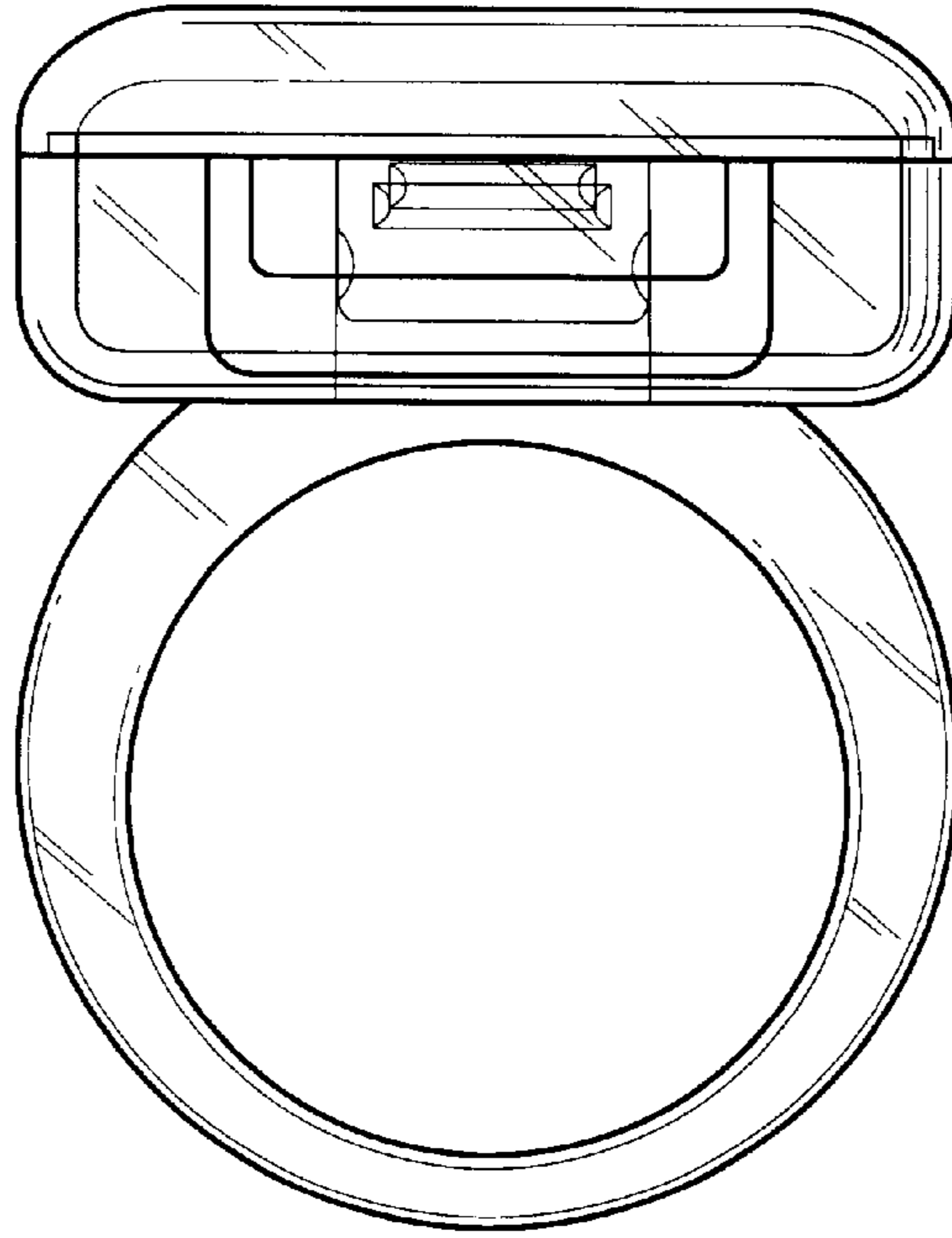
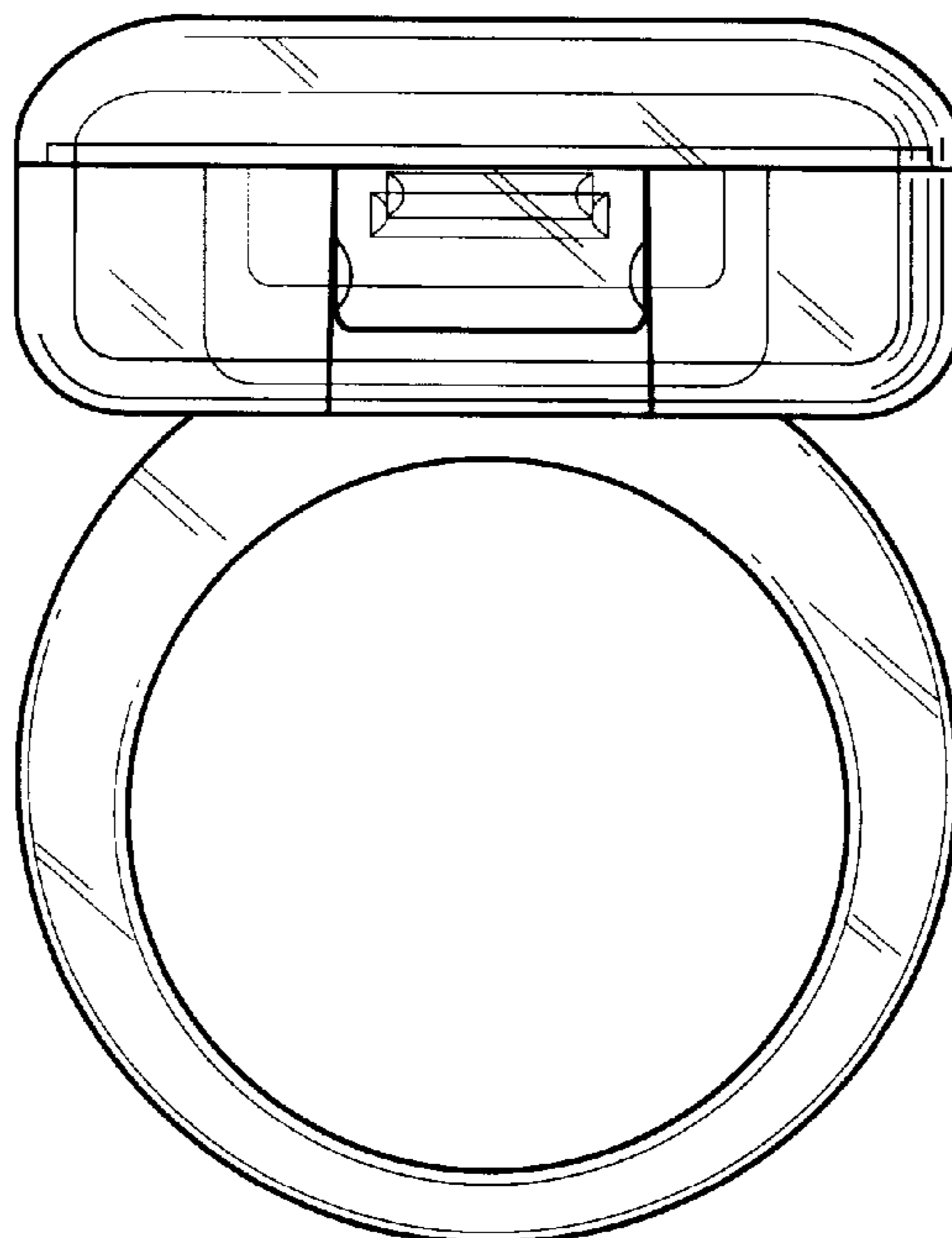


FIG. 4



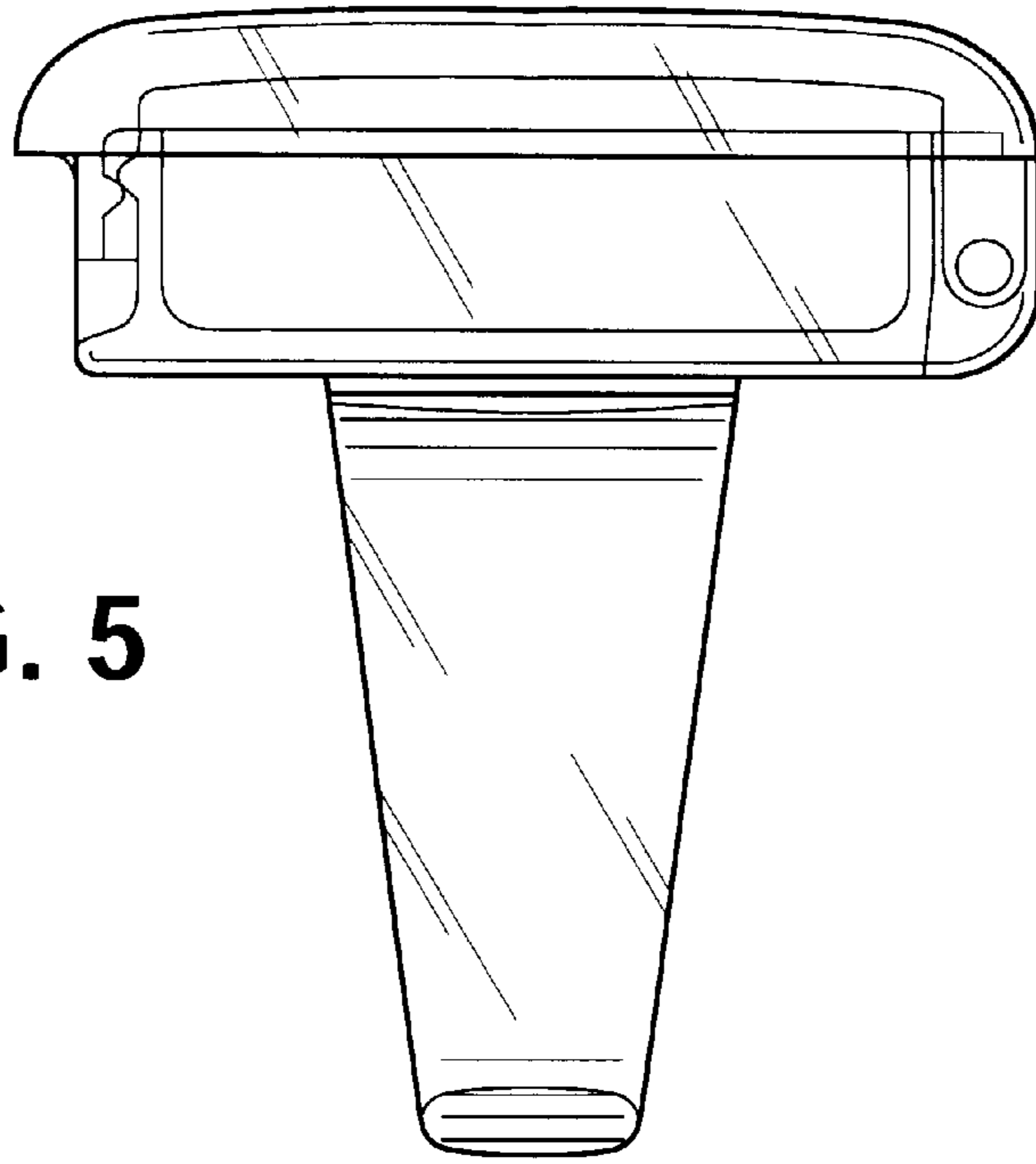


FIG. 5

FIG. 6

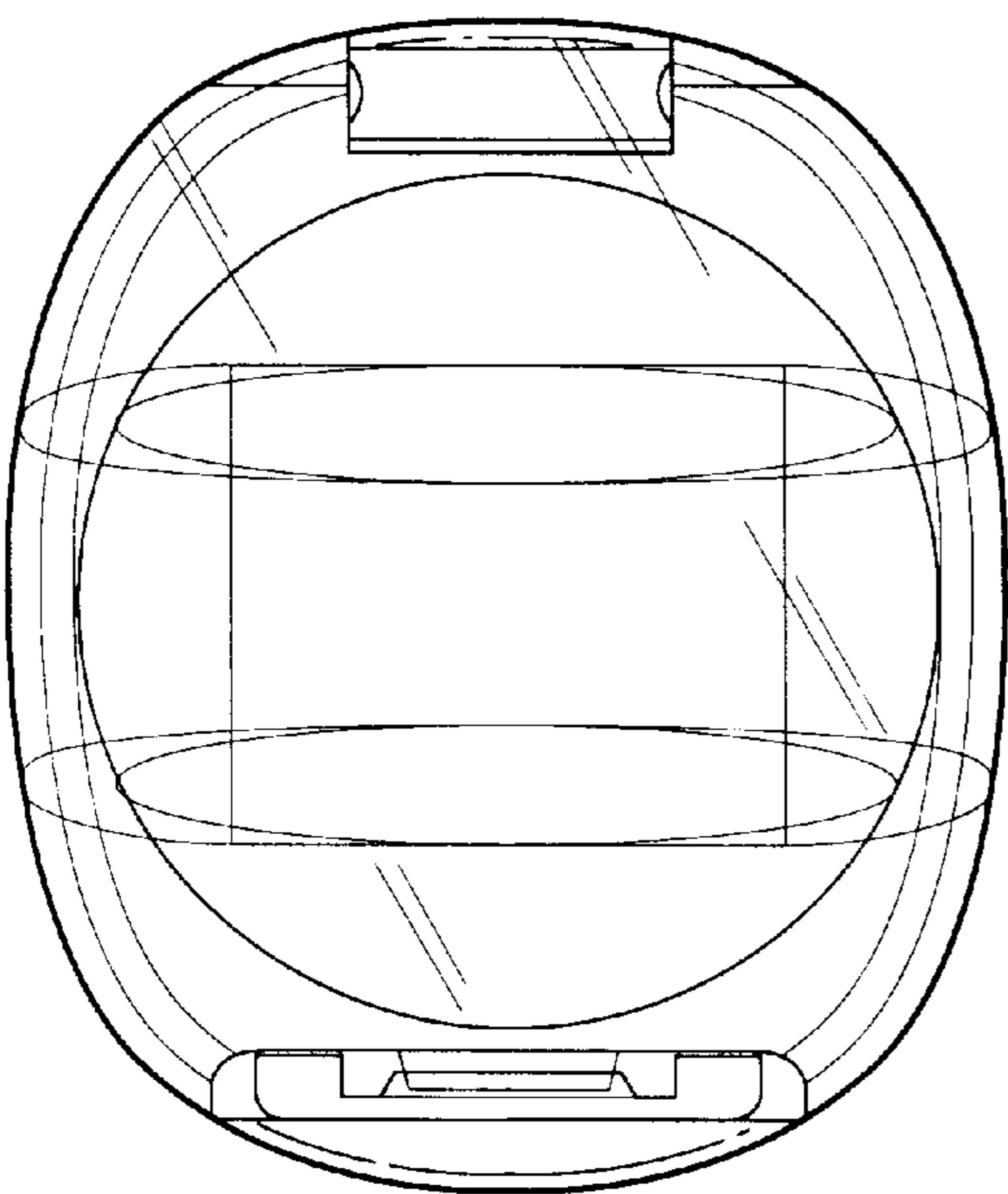


FIG. 7

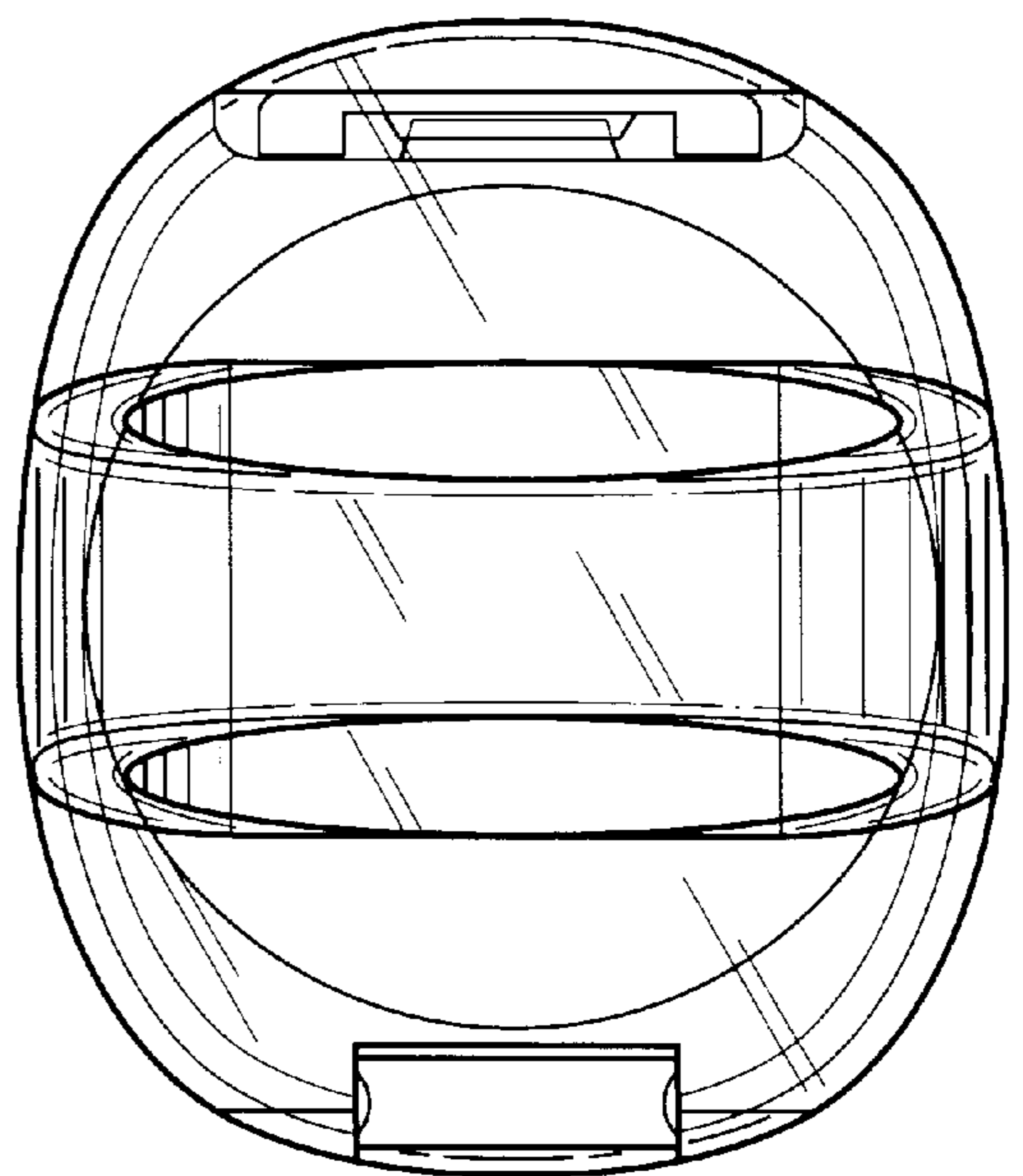


FIG. 8

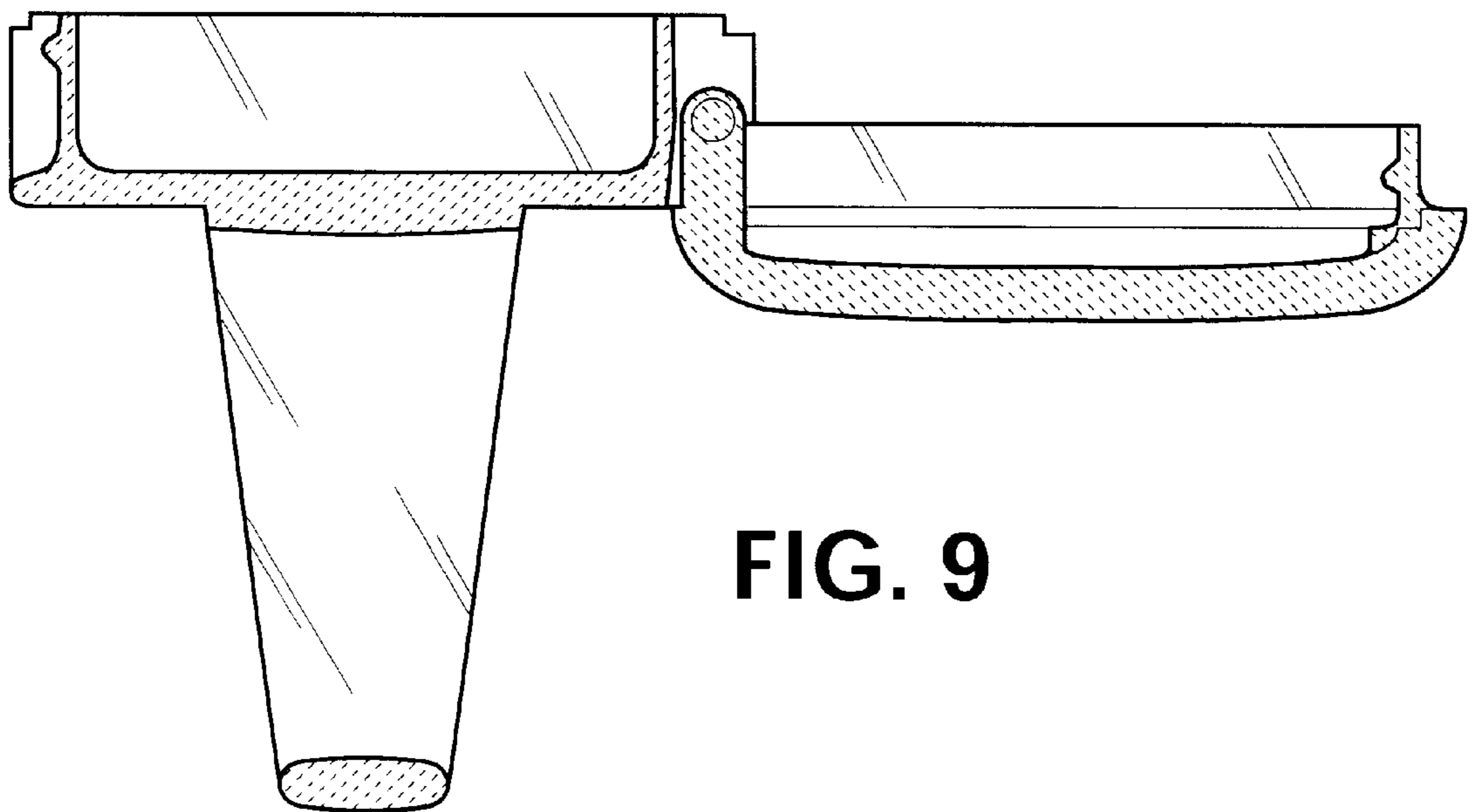
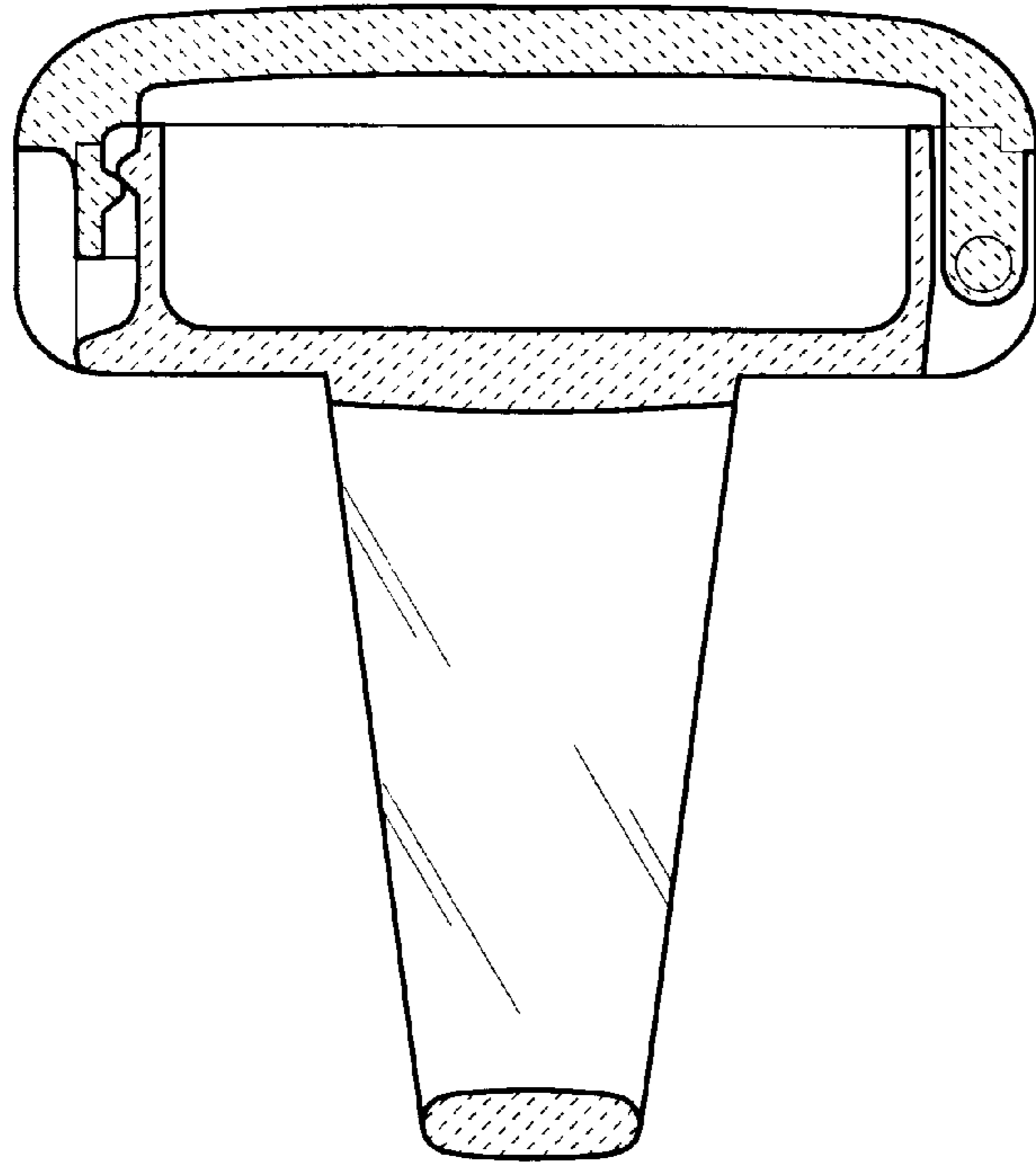


FIG. 9