



US00D427378S

United States Patent [19]

[11] **Patent Number: Des. 427,378**

Pritchett et al.

[45] **Date of Patent: ** Jun. 27, 2000**

[54] **HAIR ACCESSORY ORGANIZER**

2,410,018	10/1946	D'arcy .	
4,390,099	6/1983	Trautlein et al.	211/205 X
5,568,872	10/1996	Hinnant, Sr.	211/205 X
5,626,503	5/1997	Heftel et al. .	

[76] Inventors: **Christopher C Pritchett; Pamela J Pritchett**, both of 9509 Fairview Ave., Manassas, Va. 20110

Primary Examiner—Terry A Wallace

[**] Term: **14 Years**

[57] CLAIM

[21] Appl. No.: **29/110,910**

The ornamental design for a hair accessory organizer, as shown and described.

[22] Filed: **Sep. 16, 1999**

DESCRIPTION

[51] **LOC (7) Cl.** **28-03**

[52] **U.S. Cl.** **D28/73**

[58] **Field of Search** D28/73, 93; D3/23; 132/275; 206/457, 557; 211/117, 134, 196, 205; 446/73, 218, 369

FIG. 1 is a front elevational view of the hair accessory organizer of the present invention, the rear view being a mirror image thereof;

FIG. 2 is a bottom plan view of the hair accessory organizer of FIG. 1;

FIG. 3 is a left side elevational view of the hair accessory organizer of FIG. 1, the right view being a mirror image thereof; and,

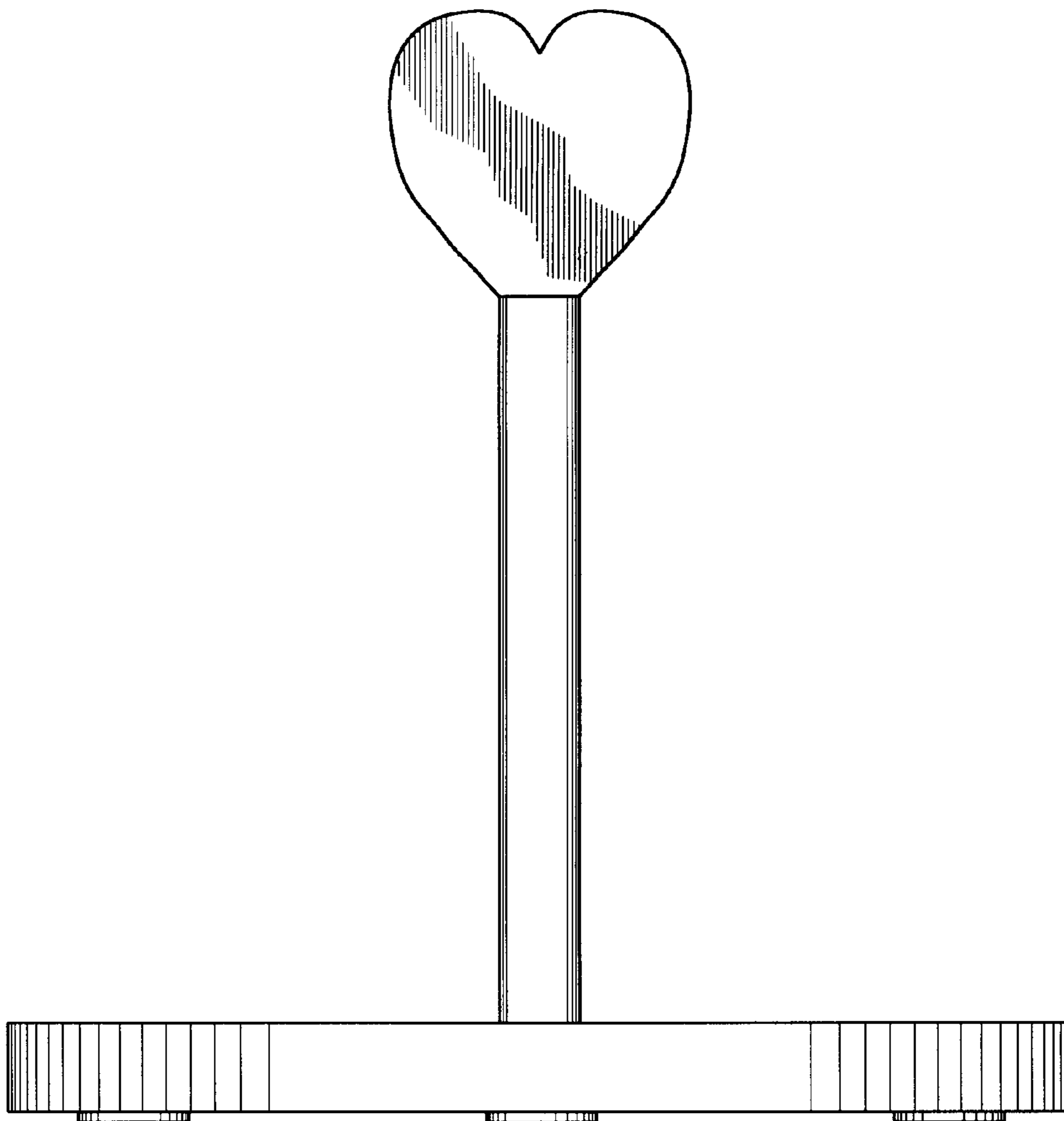
FIG. 4 is a top plan view of the hair accessory organizer of FIG. 1.

[56] References Cited

U.S. PATENT DOCUMENTS

- D. 220,230 3/1971 Friedman .
- D. 347,939 6/1994 Volkman .
- D. 369,032 4/1996 Huang et al. .
- D. 394,918 6/1998 Gillmore et al. .
- 665,142 1/1901 Steinau .

1 Claim, 2 Drawing Sheets



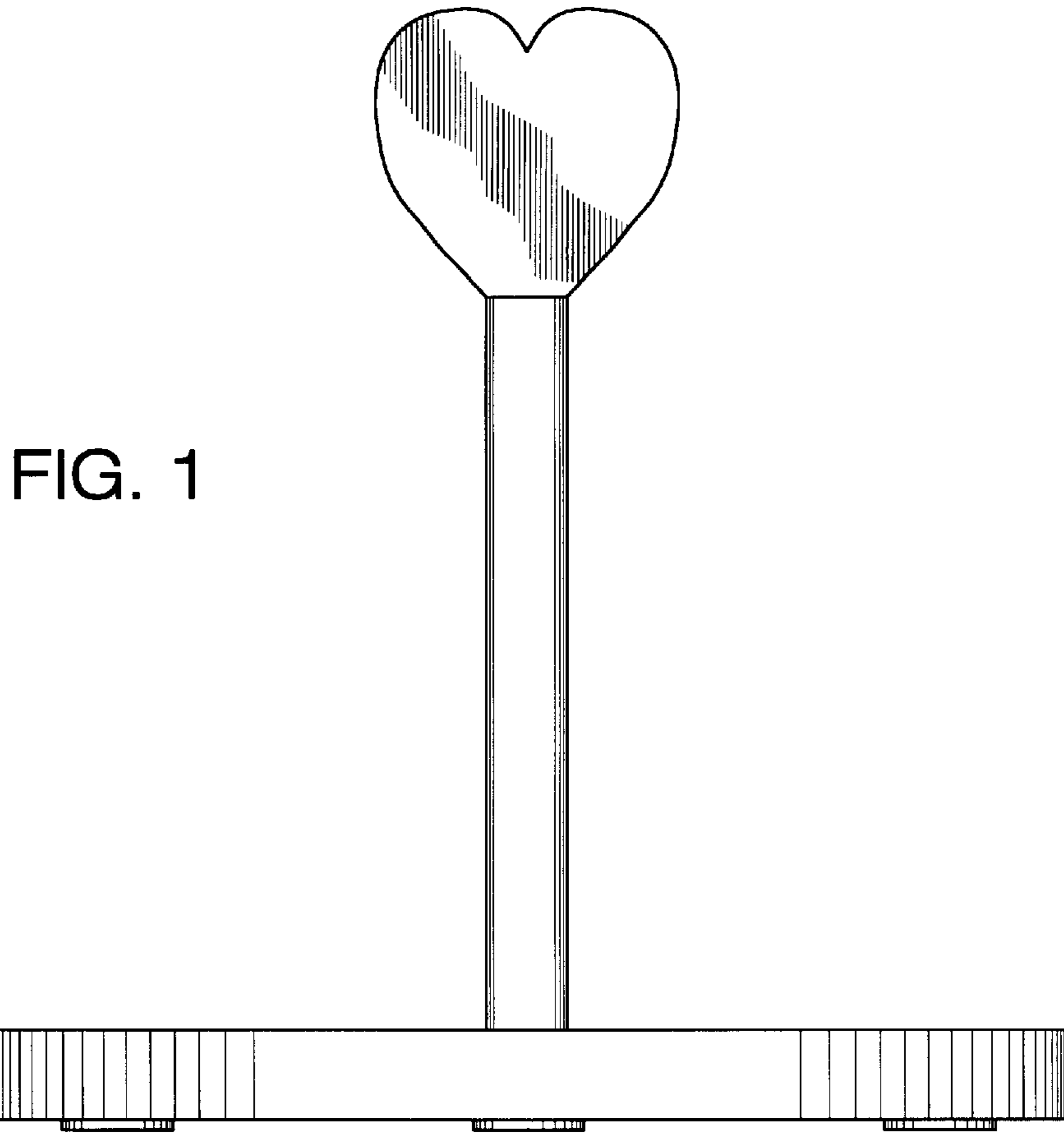


FIG. 1

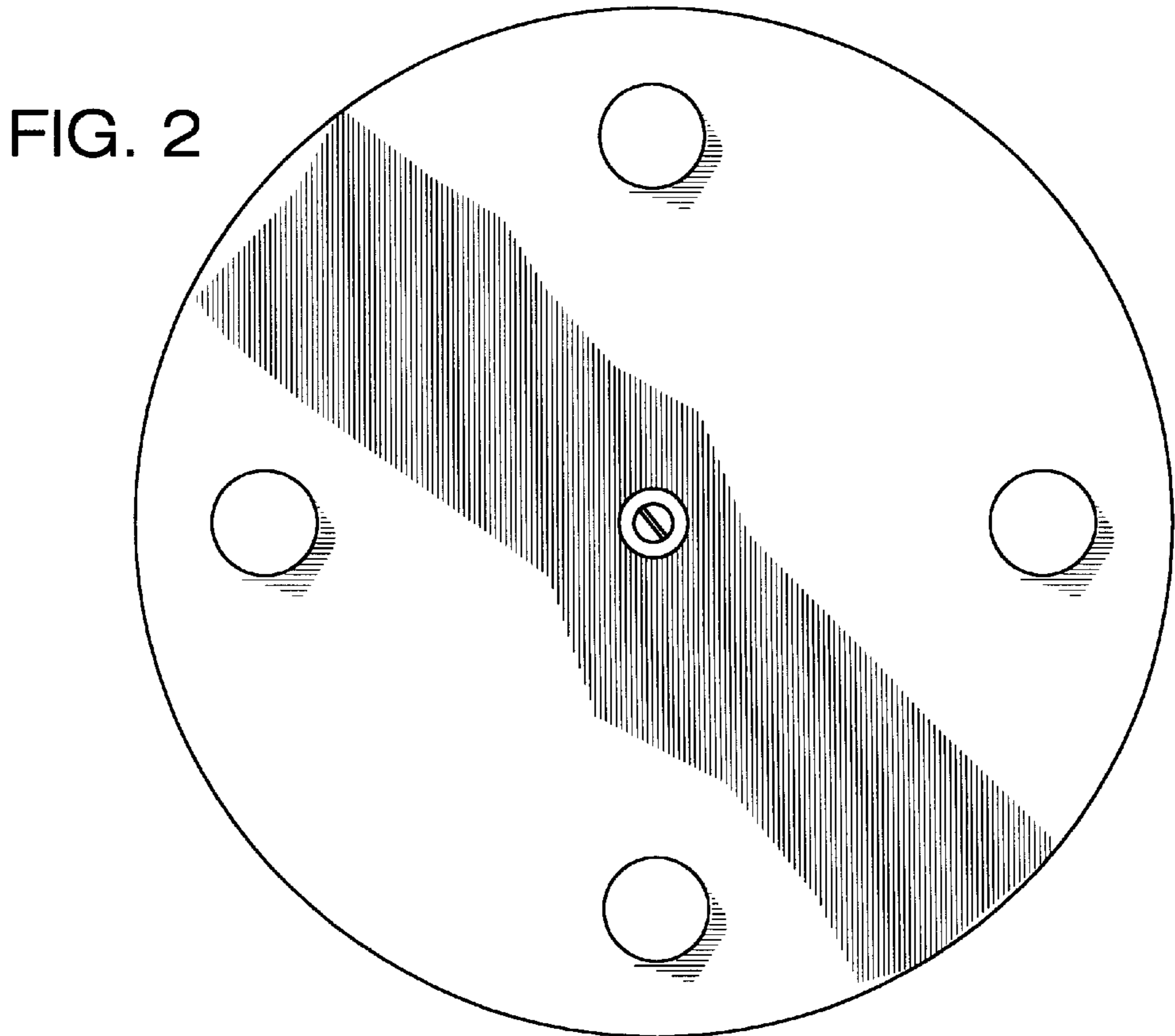


FIG. 2

FIG. 4

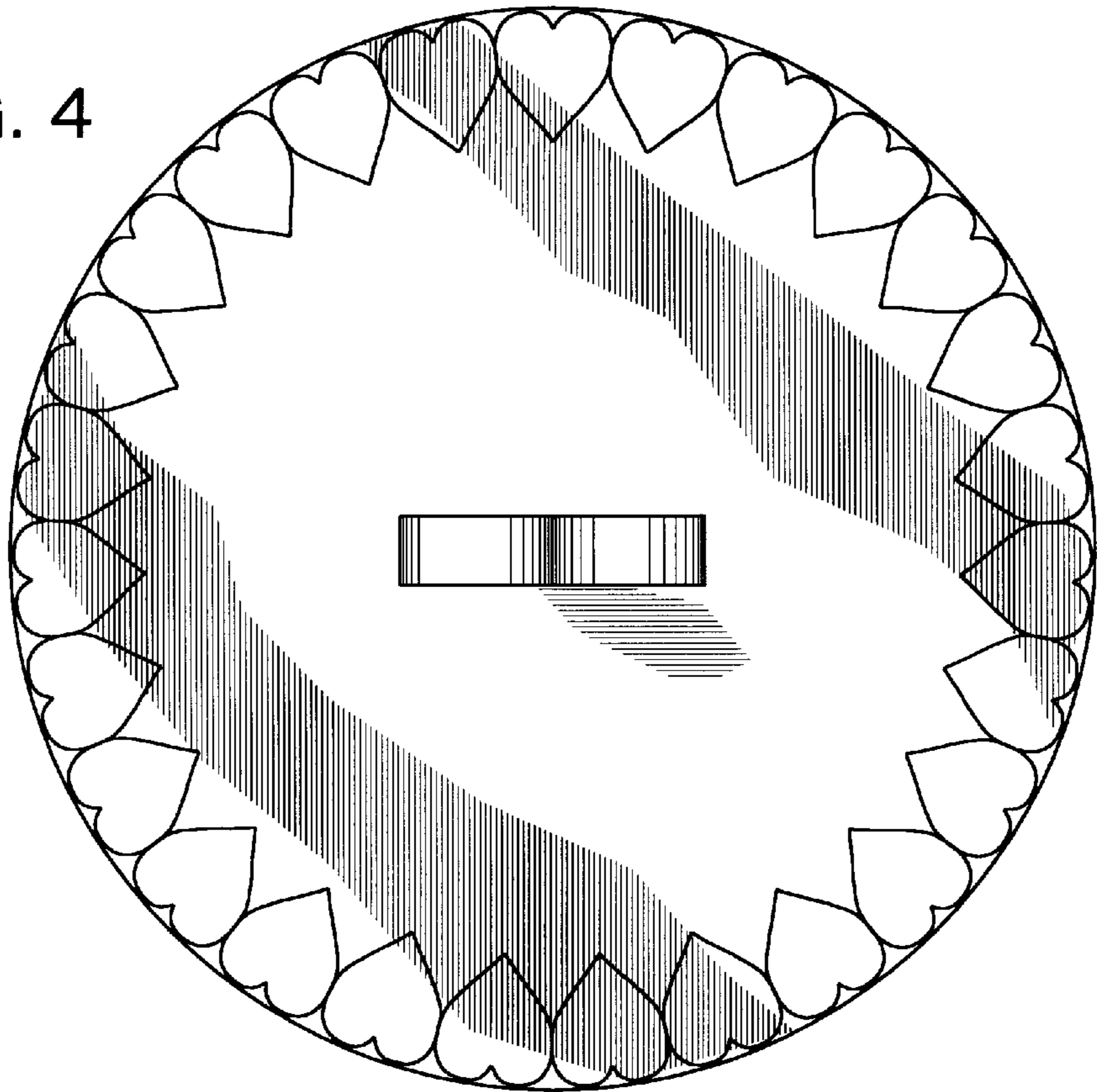


FIG. 3

