



US00D427369S

United States Patent [19]

Bowen et al.

[11] **Patent Number: Des. 427,369**

[45] **Date of Patent: ** Jun. 27, 2000**

[54] TWO-PACK CIGARETTE PACKAGE

[75] Inventors: **Larry Bowen**, Orangeville; **Norman Cohen**, Scarborough, both of Canada

[73] Assignee: **Rothmans, Benson & Hedges, Inc.**, Ontario, Canada

[**] Term: **14 Years**

[21] Appl. No.: **29/101,362**

[22] Filed: **Mar. 2, 1999**

[30] Foreign Application Priority Data

Sep. 3, 1998 [CA] Canada 1998-2141

[51] **LOC (7) Cl.** **27-06**

[52] **U.S. Cl.** **D27/189**

[58] **Field of Search** D27/189, 183-191; D9/337, 414, 423, 424, 432, 433; 206/265, 267, 268, 270, 273; 229/160.1, 160.2, 125.19, 909

[56] References Cited

U.S. PATENT DOCUMENTS

- D. 303,722 9/1989 Marlow et al. D27/189
- D. 356,183 3/1995 Conti D27/189
- D. 393,924 4/1998 Wright D27/189
- D. 399,598 10/1998 Perkins D27/189
- D. 405,007 2/1999 Naas, Sr. D27/189

FOREIGN PATENT DOCUMENTS

- 23982 4/1961 Canada .
- 32761 8/1970 Canada .
- 35081 2/1972 Canada .
- 63394 5/1989 Canada .
- 74443 7/1994 Canada .

Primary Examiner—Marcus A. Jackson
Attorney, Agent, or Firm—Banner & Witcoff, Ltd.

[57] CLAIM

The ornamental design for a two-pack cigarette package, as shown and described.

DESCRIPTION

FIG. 1 is a front perspective view of the two-pack cigarette package;

FIG. 2 is a back perspective view of the cigarette package of FIG. 1;

FIG. 3 is a front elevational view of the cigarette package of FIG. 1;

FIG. 4 is a top plan view of the cigarette package of FIG. 1;

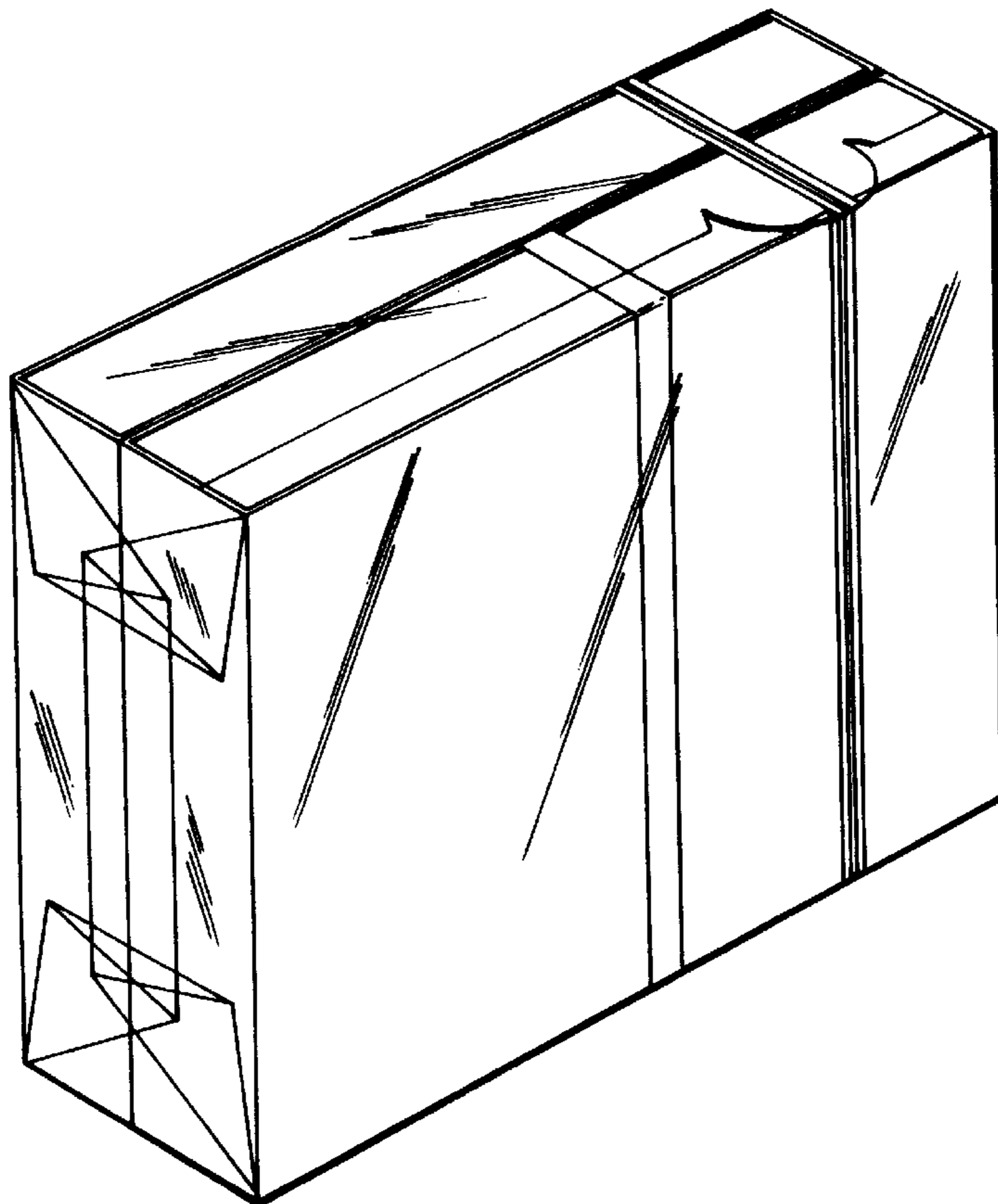
FIG. 5 is a side elevational view of the cigarette package of FIG. 1;

FIG. 6 is a back elevational view of the cigarette package of FIG. 1;

FIG. 7 is the other side elevational view of the cigarette package of FIG. 1; and,

FIG. 8 is a bottom plan view of the cigarette package of FIG. 1.

1 Claim, 2 Drawing Sheets



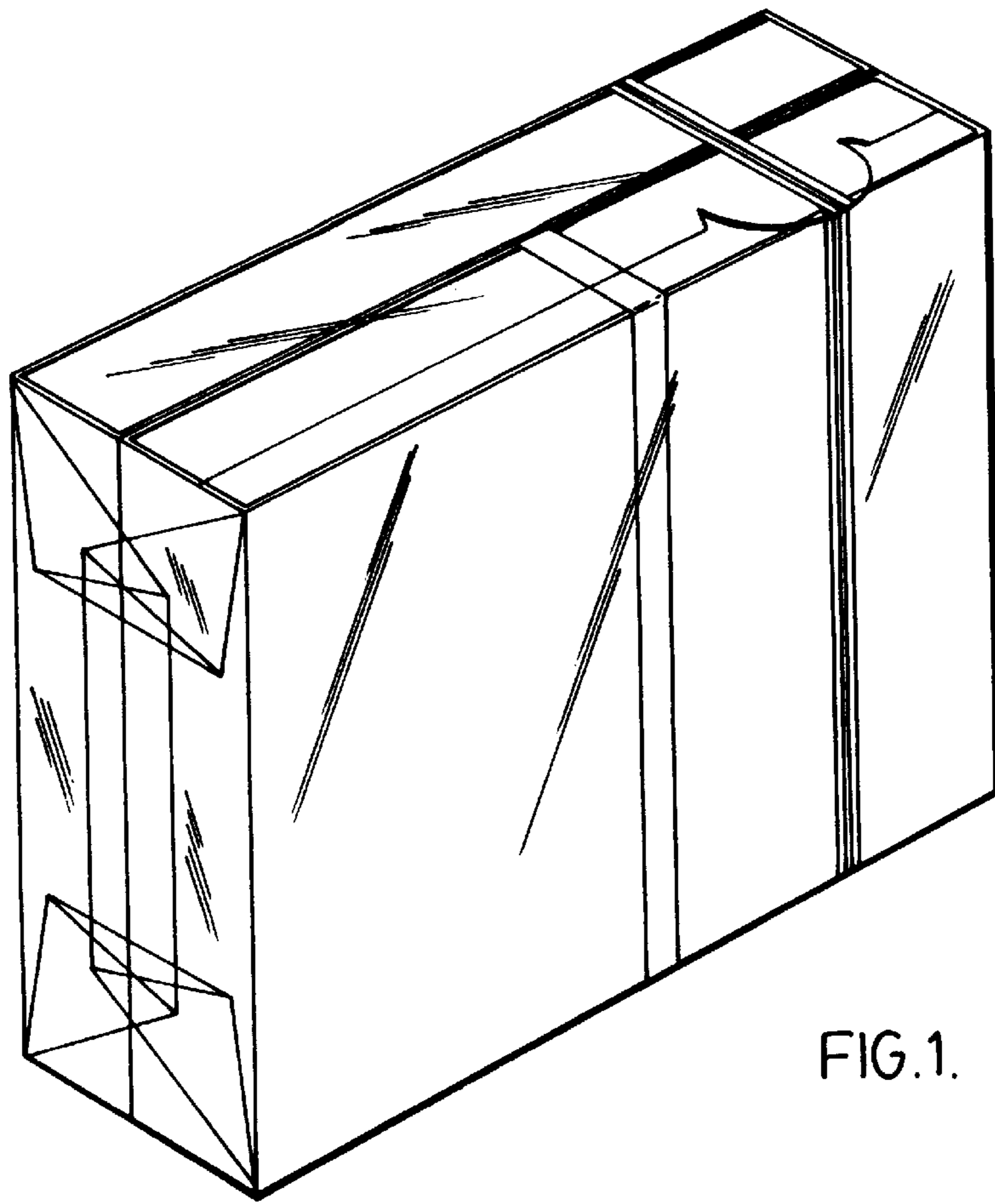


FIG. 1.

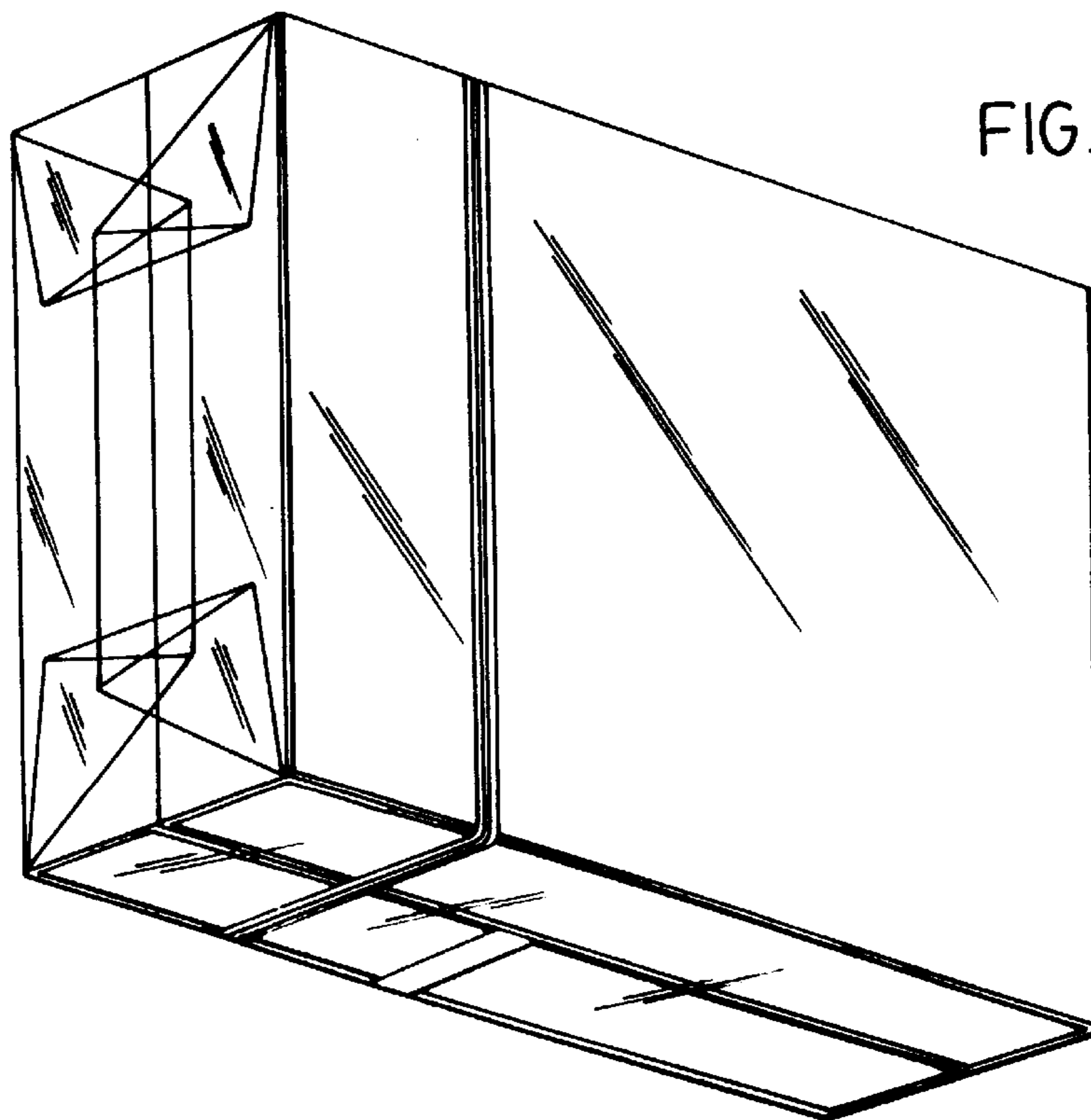


FIG. 2.

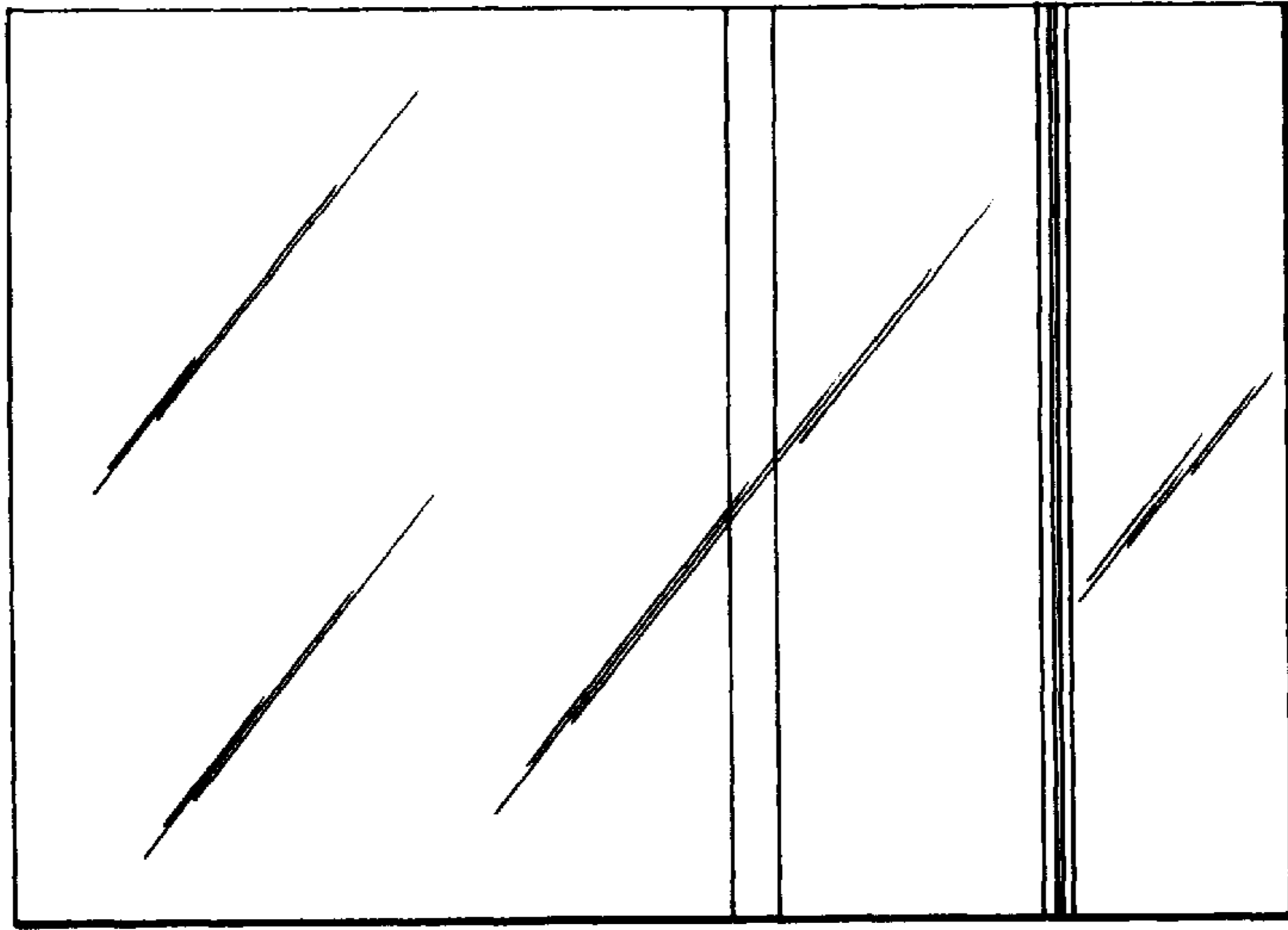


FIG. 3.

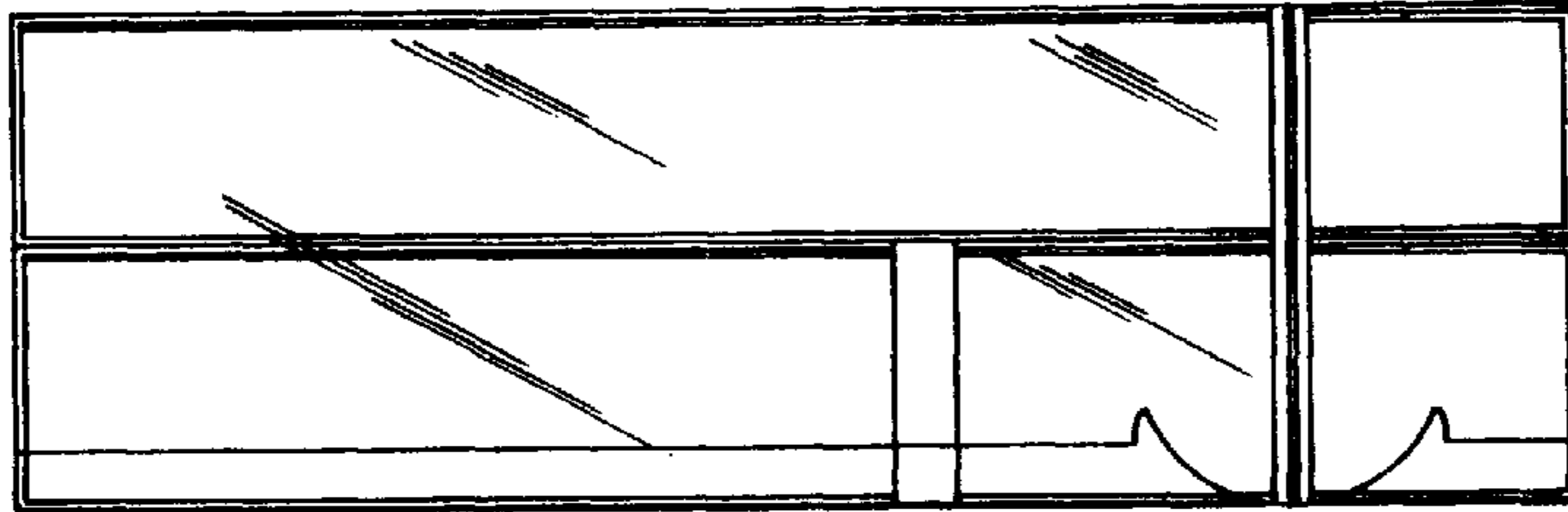


FIG. 4.

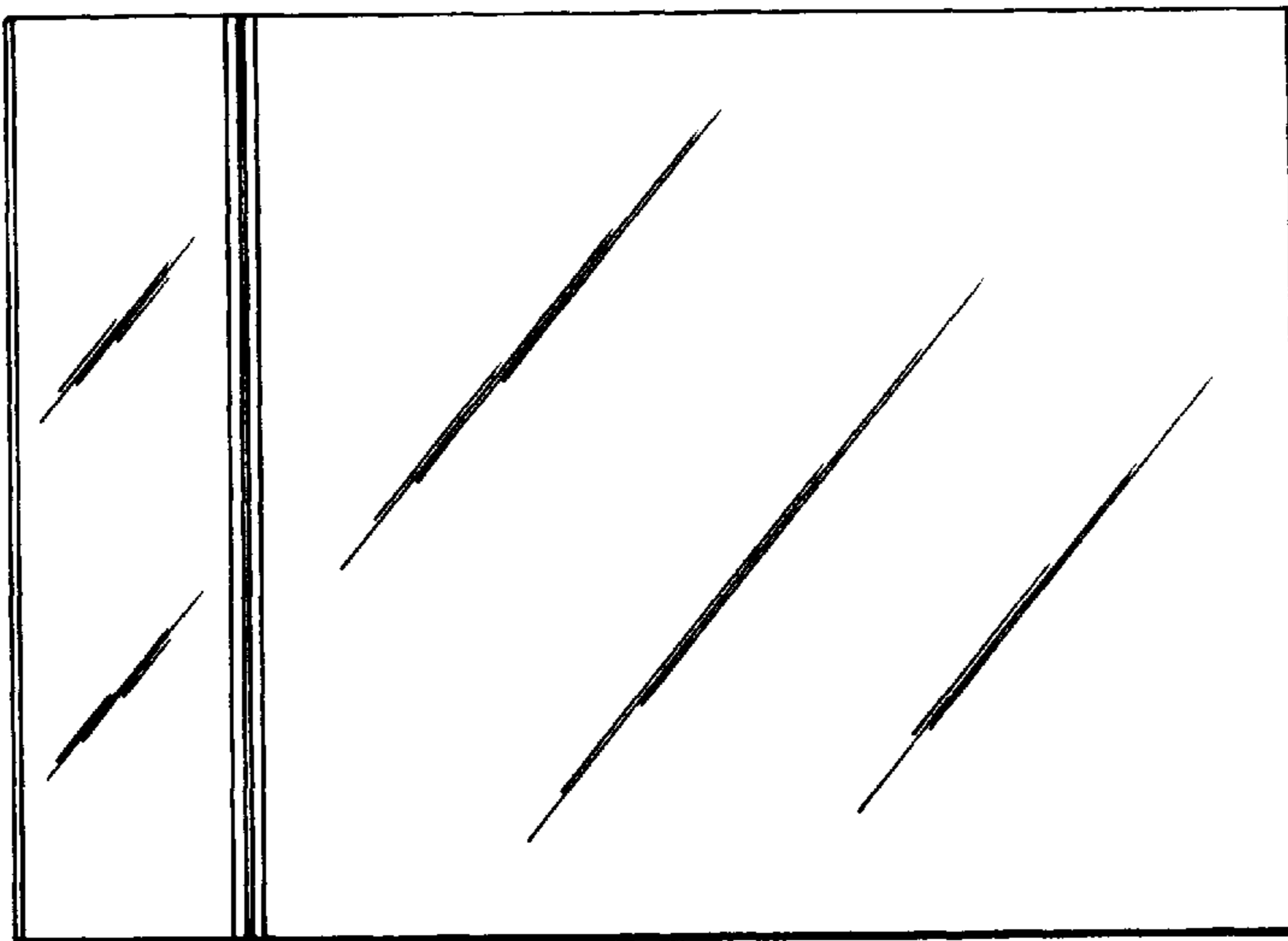


FIG. 6.

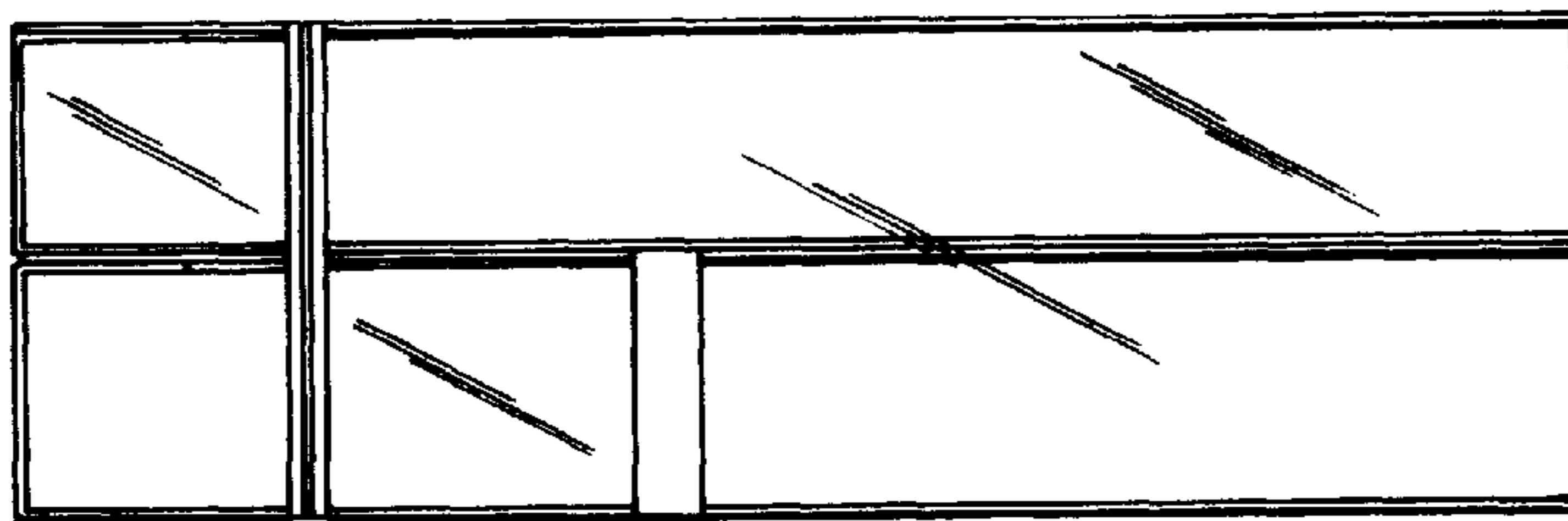


FIG. 8.

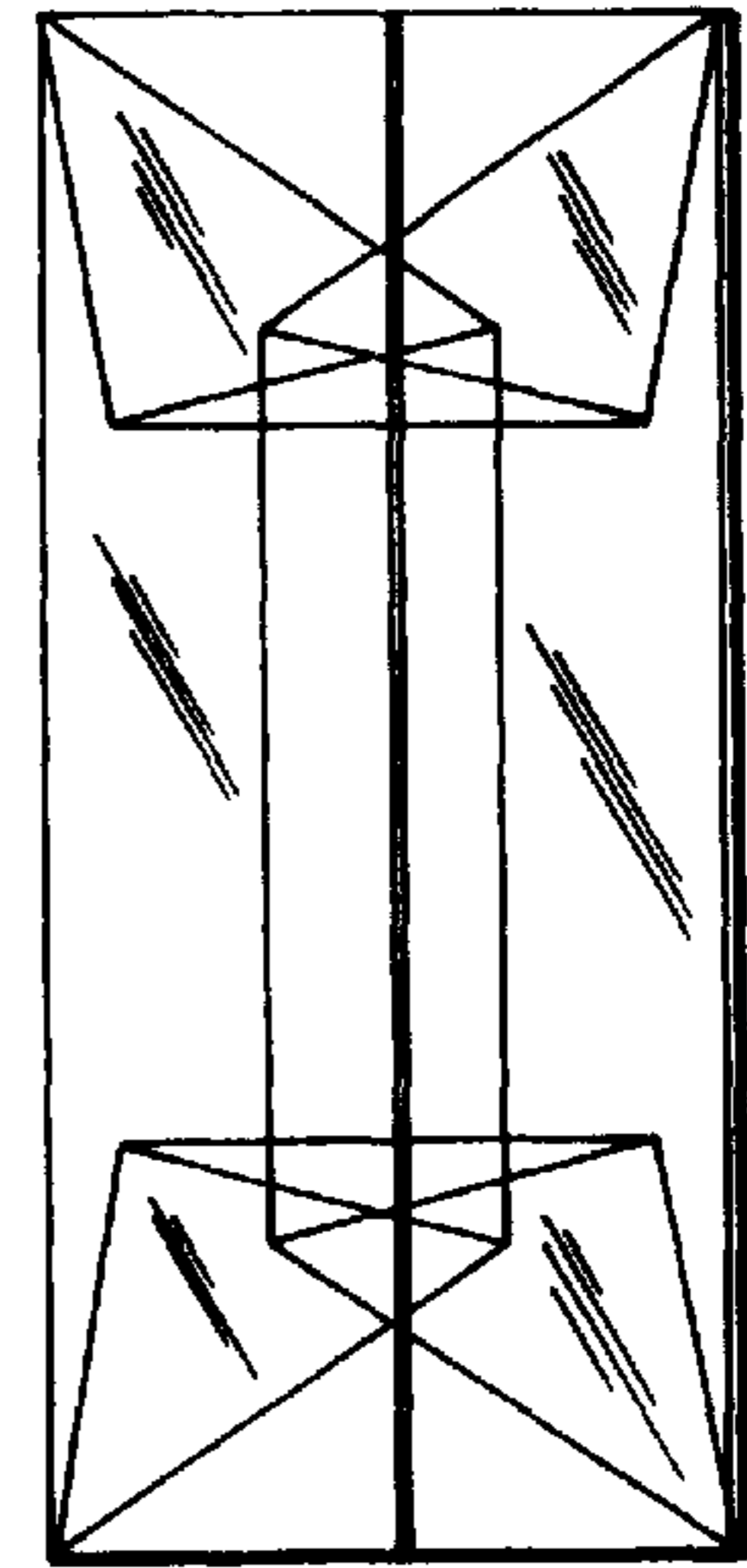


FIG. 5.

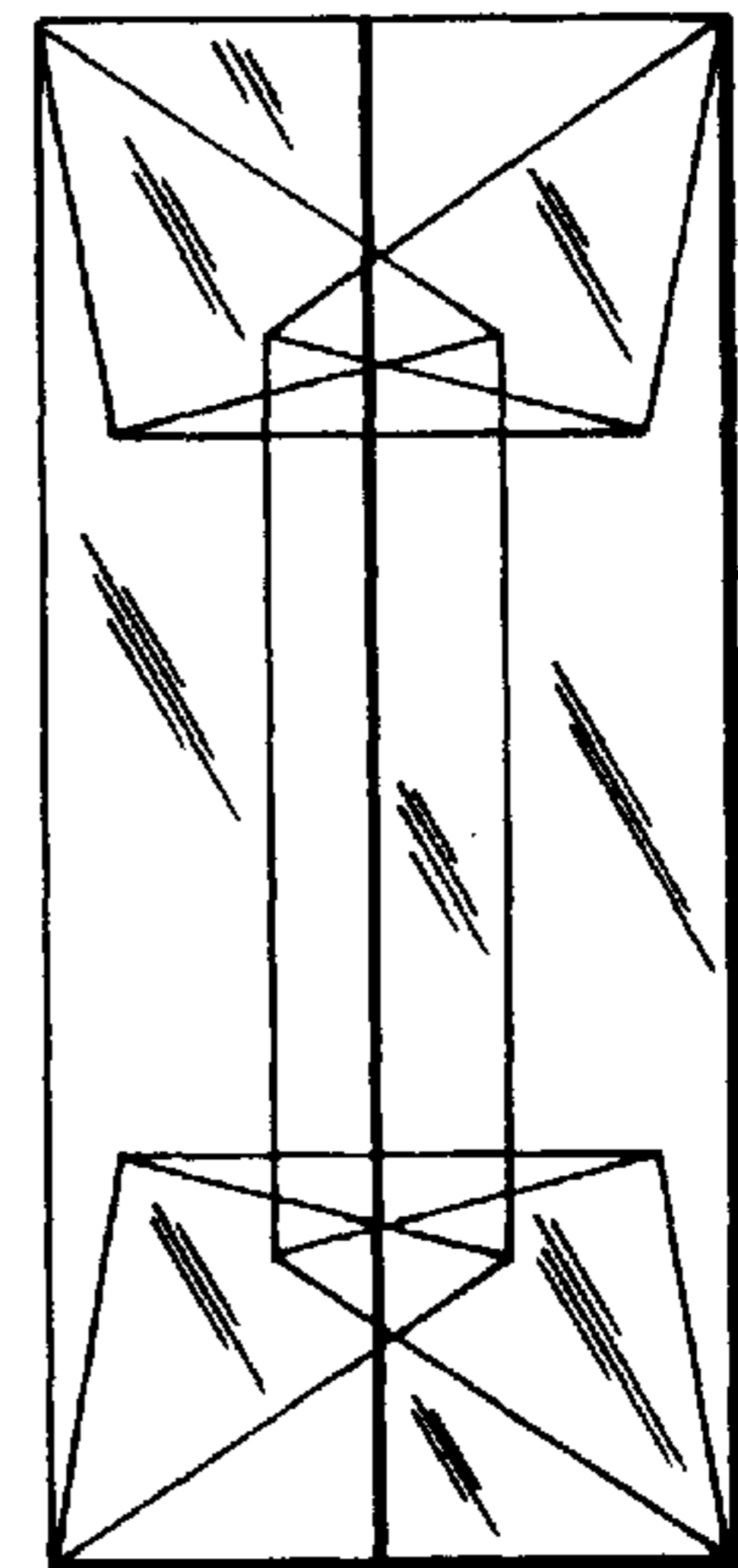


FIG. 7.