



US00D427368S

# United States Patent [19]

[11] Patent Number: **Des. 427,368**

Kelmelis et al.

[45] Date of Patent: **\*\* Jun. 27, 2000**

[54] **FLUSH TRIM COLLAR ASSEMBLY**

*Attorney, Agent, or Firm*—Curtis L Harrington

[76] Inventors: **Victor Kelmelis**, 3833 Bledsoe Ave.,  
Los Angeles, Calif. 90066; **Maurice Cohen**, 6517 Hayes Dr., Los Angeles,  
Calif. 90048

[57] **CLAIM**

The ornamental design for a flush trim collar assembly, as shown and described.

[\*\*] Term: **14 Years**

### DESCRIPTION

[21] Appl. No.: **29/101,652**

FIG. 1 is an exploded view of the flush trim collar assembly, the support ring and finishing ring being separated for convenience of illustration;

[22] Filed: **Mar. 5, 1999**

FIG. 2 is a top view of the support ring, the right side, left side, and bottom side views being identical thereto, the finishing ring being omitted for purposes of disclosure;

[51] **LOC (7) Cl.** ..... **26-05**

[52] **U.S. Cl.** ..... **D26/152; D26/118**

FIG. 3 is a front view of the support ring;

[58] **Field of Search** ..... D26/74, 118, 113;

362/147, 404-409, 364, 365, 367

FIG. 4 is a rear view of the support ring;

### [56] **References Cited**

#### U.S. PATENT DOCUMENTS

D. 74,225	1/1928	Holdeman	.....	D26/142
D. 250,968	1/1979	Combeet	.....	D26/142
4,754,377	6/1988	Wenman	.....	362/364

FIG. 5 is a top view of the support ring;

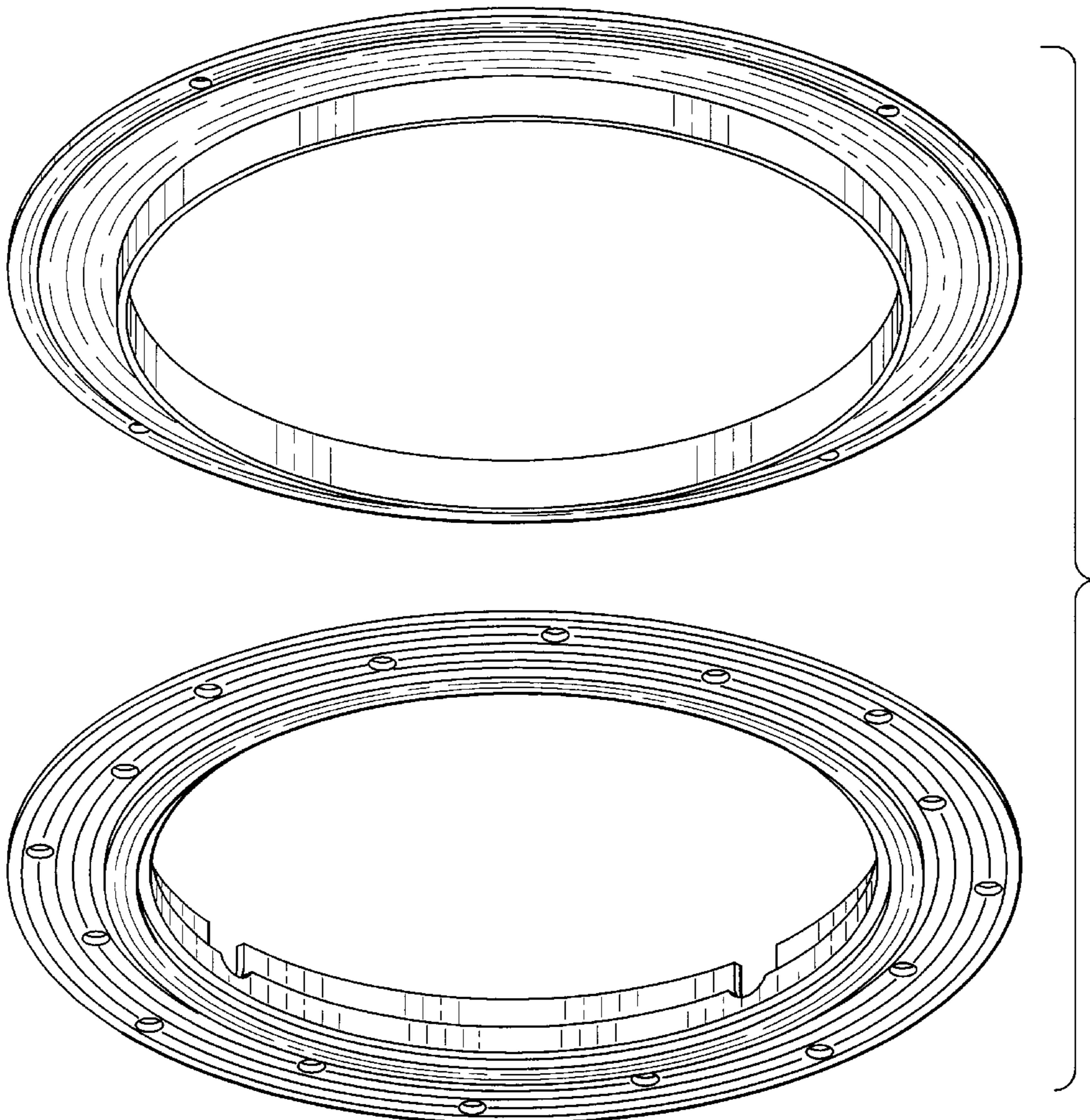
FIG. 6 is a top view of the finishing ring, the right side, left side, and bottom side views being identical thereto, the support ring being omitted for purposes of disclosure;

FIG. 6 is a front view of the finishing ring; and,

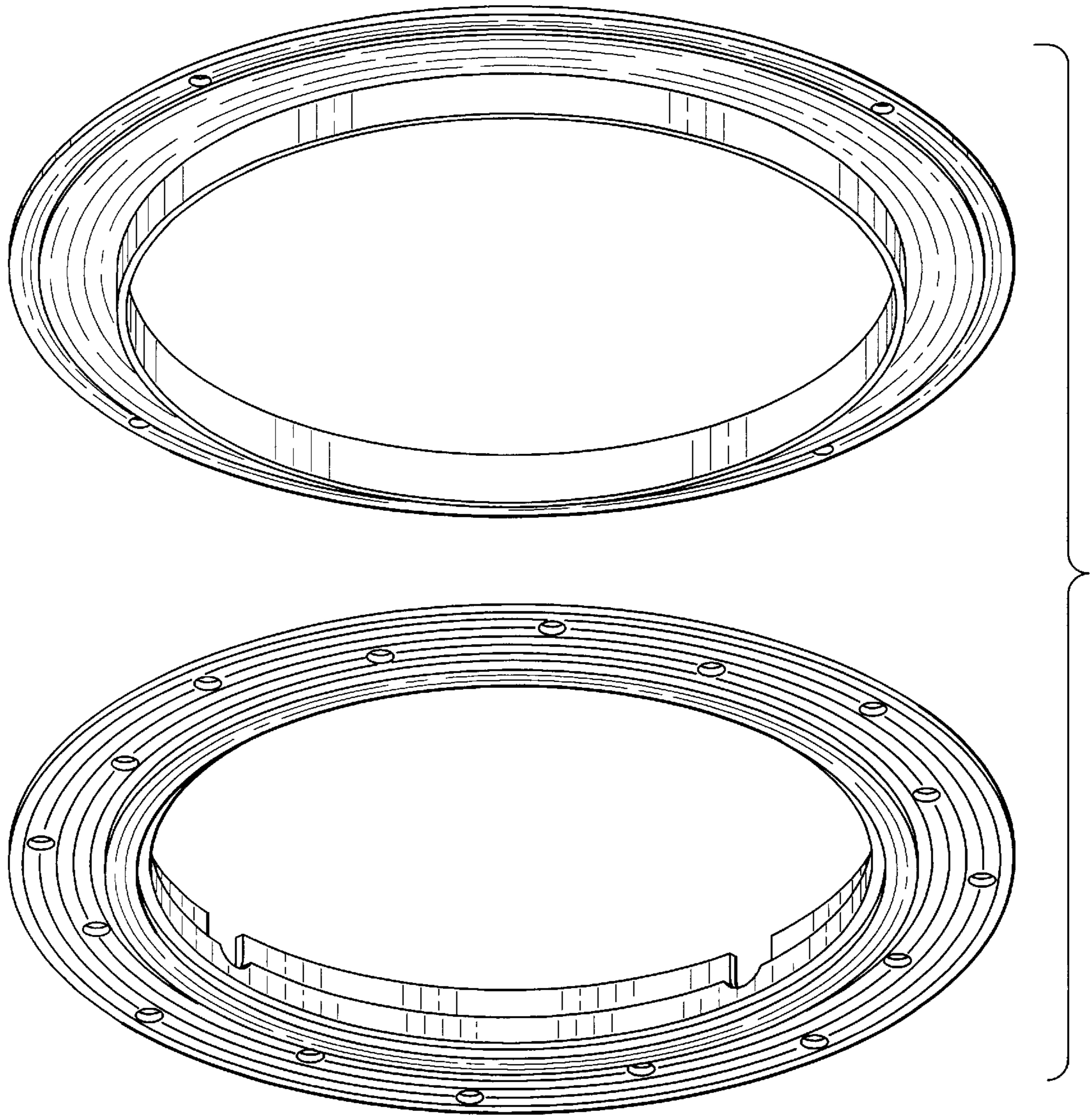
FIG. 7 is a rear view of the finishing ring.

*Primary Examiner*—Susan J. Lucas

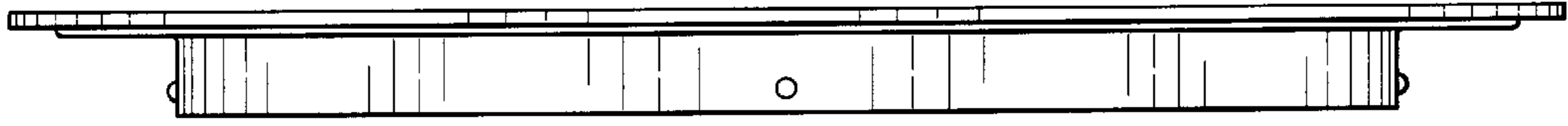
**1 Claim, 5 Drawing Sheets**



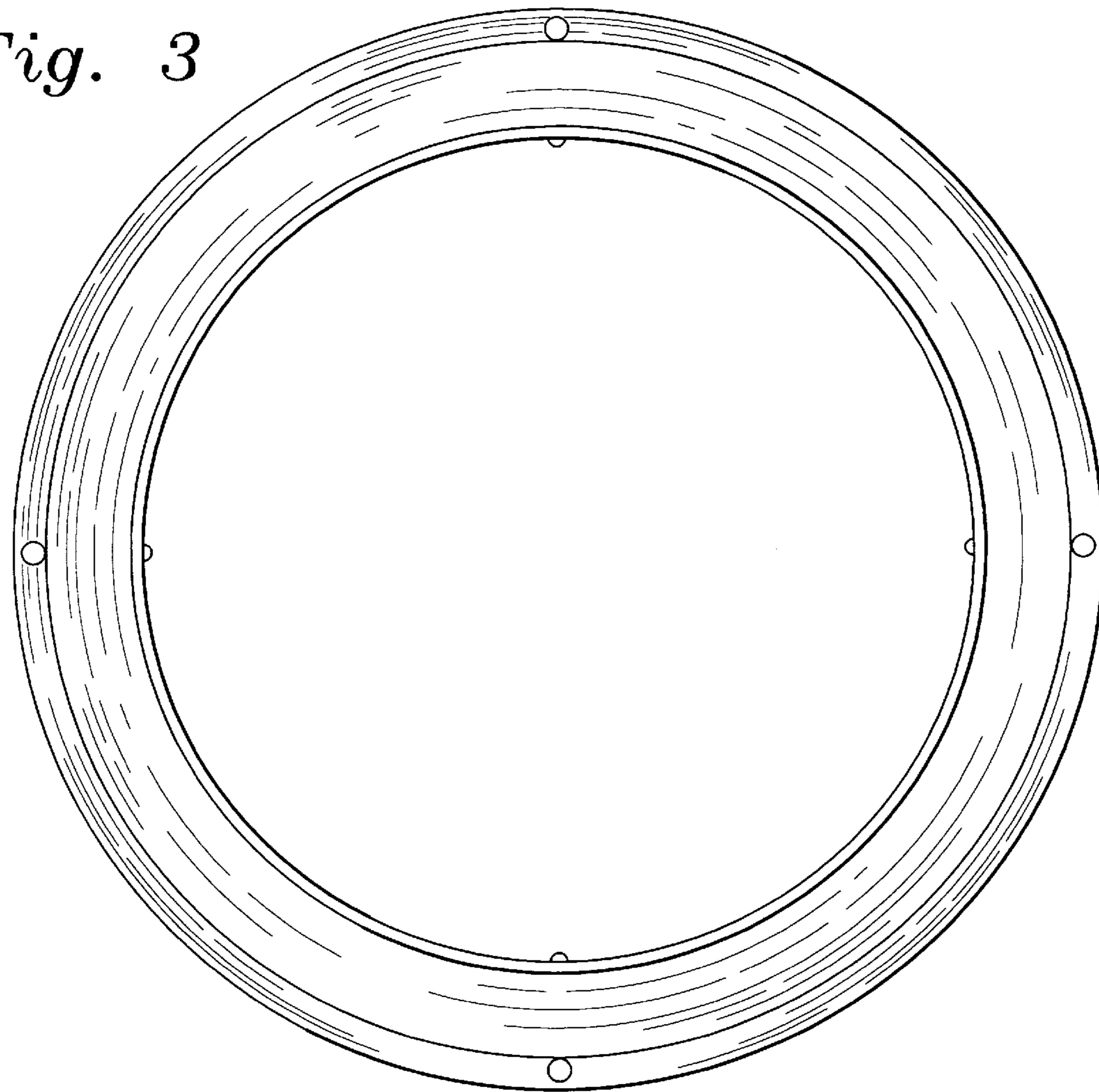
*Fig. 1*



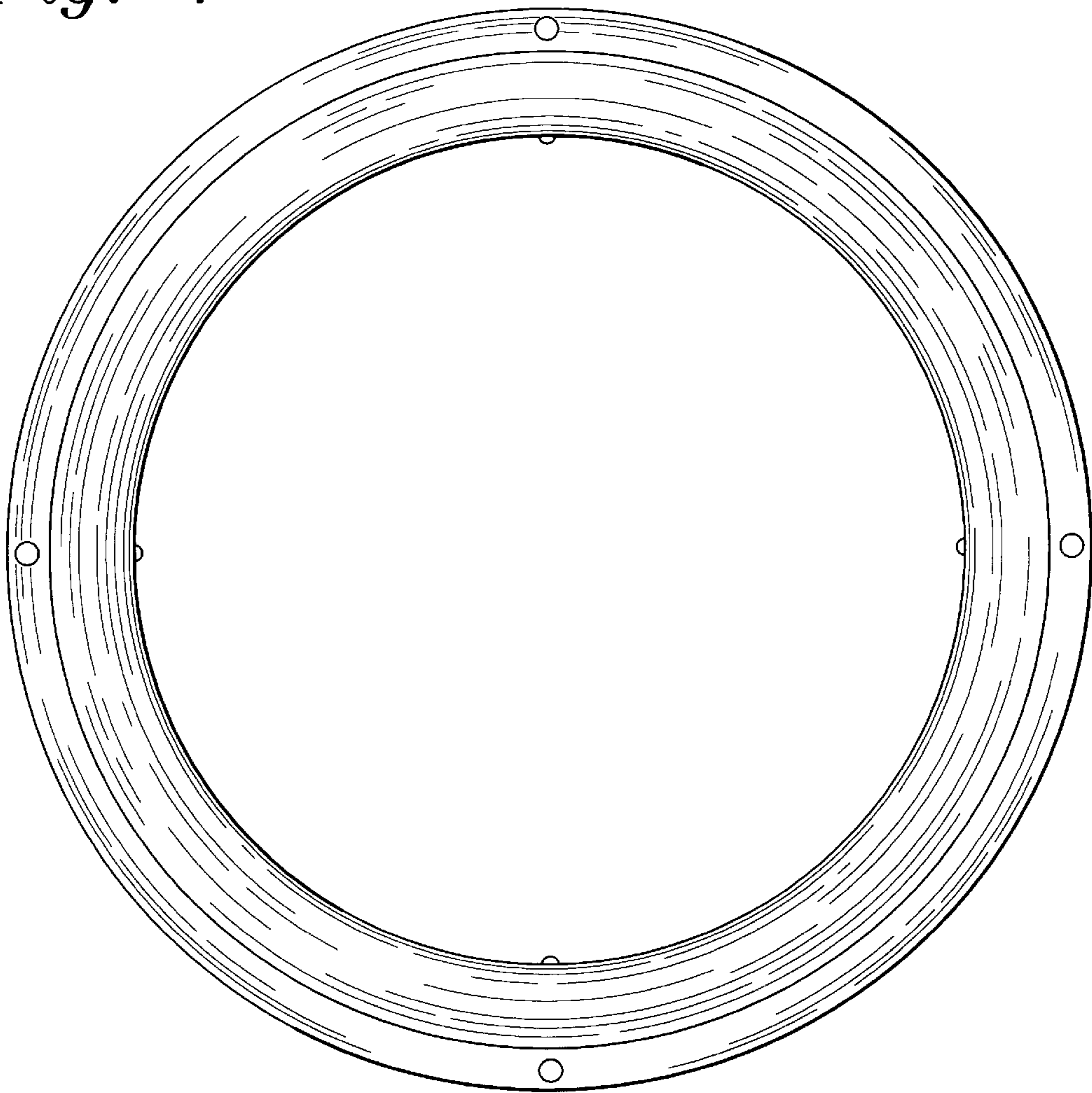
*Fig. 2*



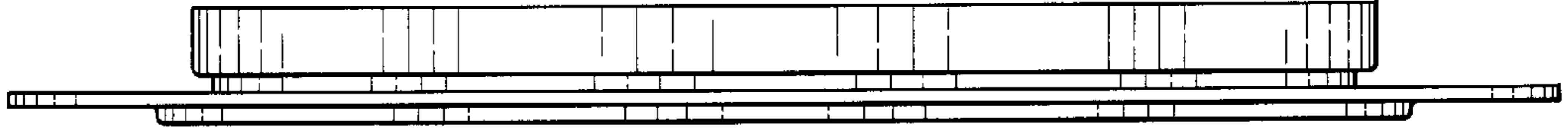
*Fig. 3*



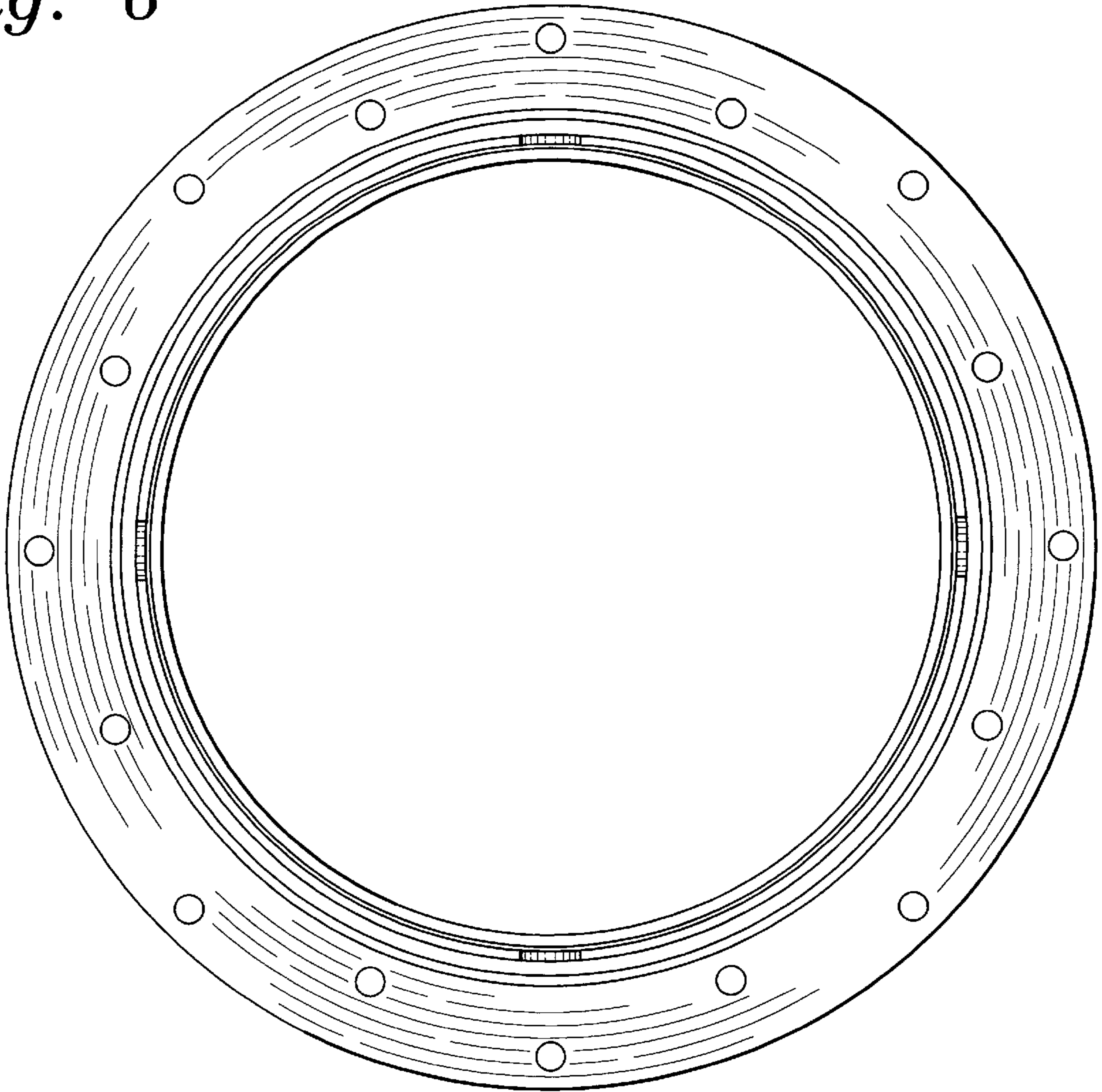
*Fig. 4*



*Fig. 5*



*Fig. 6*



*Fig. 7*

