



US00D427362S

United States Patent [19]
Rose

[11] **Patent Number: Des. 427,362**

[45] **Date of Patent: ** Jun. 27, 2000**

[54] **LAMP BASE**

D. 22,140 1/1893 Koenig D26/110

[75] Inventor: **Jeffrey Rose**, Hickory, N.C.

Primary Examiner—Susan J. Lucas
Attorney, Agent, or Firm—John M. Harrington; Kilpatrick
Stockton LLP

[73] Assignee: **Robert Abbey, Inc.**, Hickory, N.C.

[**] Term: **14 Years**

[57] **CLAIM**

[21] Appl. No.: **29/098,688**

I claim the ornamental design for lamp base, as shown.

[22] Filed: **Jan. 4, 1999**

DESCRIPTION

[51] **LOC (7) Cl.** **26-05**

[52] **U.S. Cl.** **D26/111; D26/114**

[58] **Field of Search** D26/93, 102-112,
D26/114, 115, 116, 117; 362/410-414;
431/298

FIG. 1 is a side elevational view of the lamp base of my new design;

FIG. 2 is a top plan view of the lamp base of FIG. 1;

FIG. 3 is a perspective view of the lamp base of FIG. 1; and,

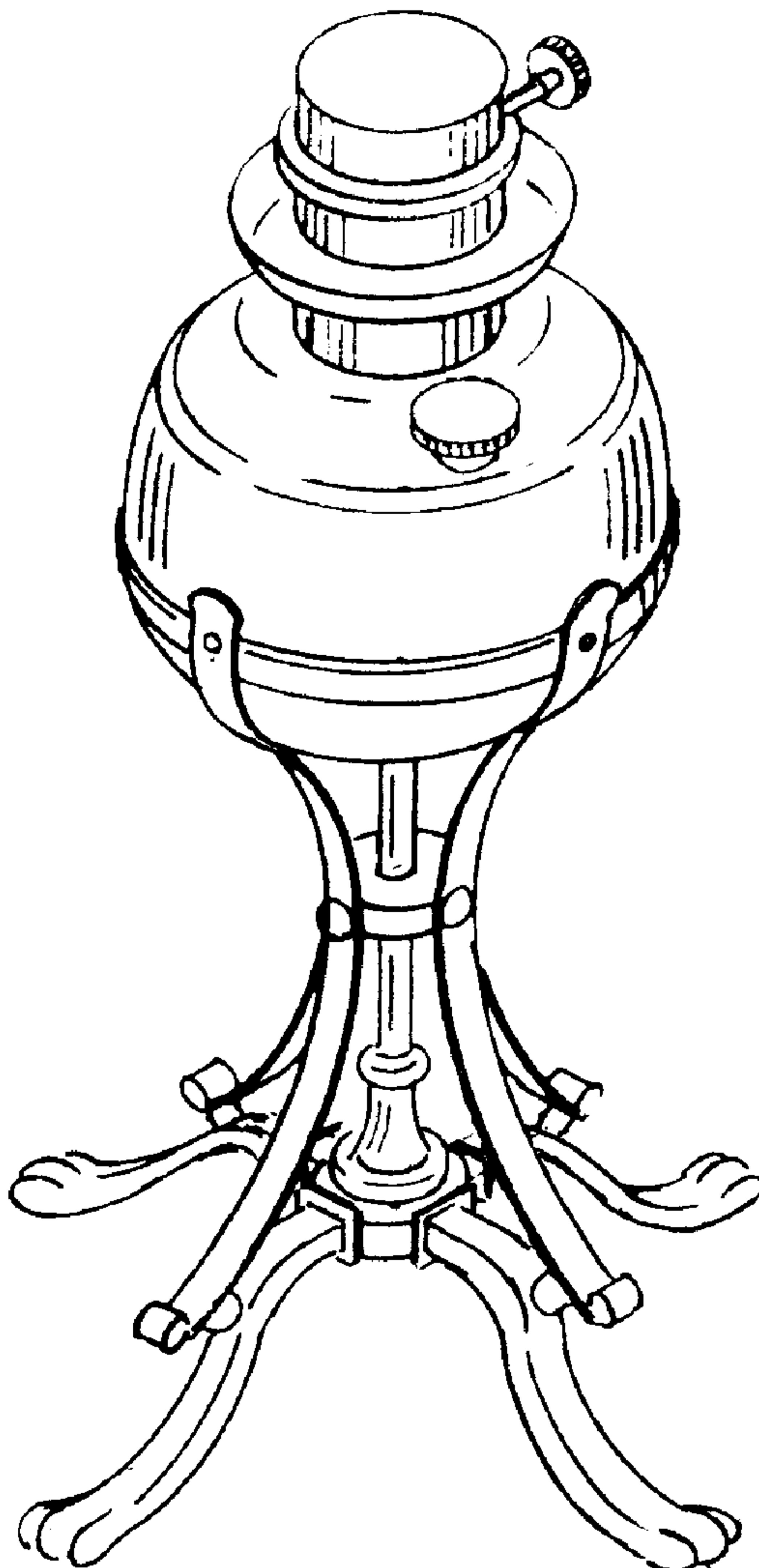
FIG. 4 is an elevation view taken from the left side of FIG. 1.

[56] **References Cited**

U.S. PATENT DOCUMENTS

D. 21,871 9/1892 Yokel D26/111

1 Claim, 1 Drawing Sheet



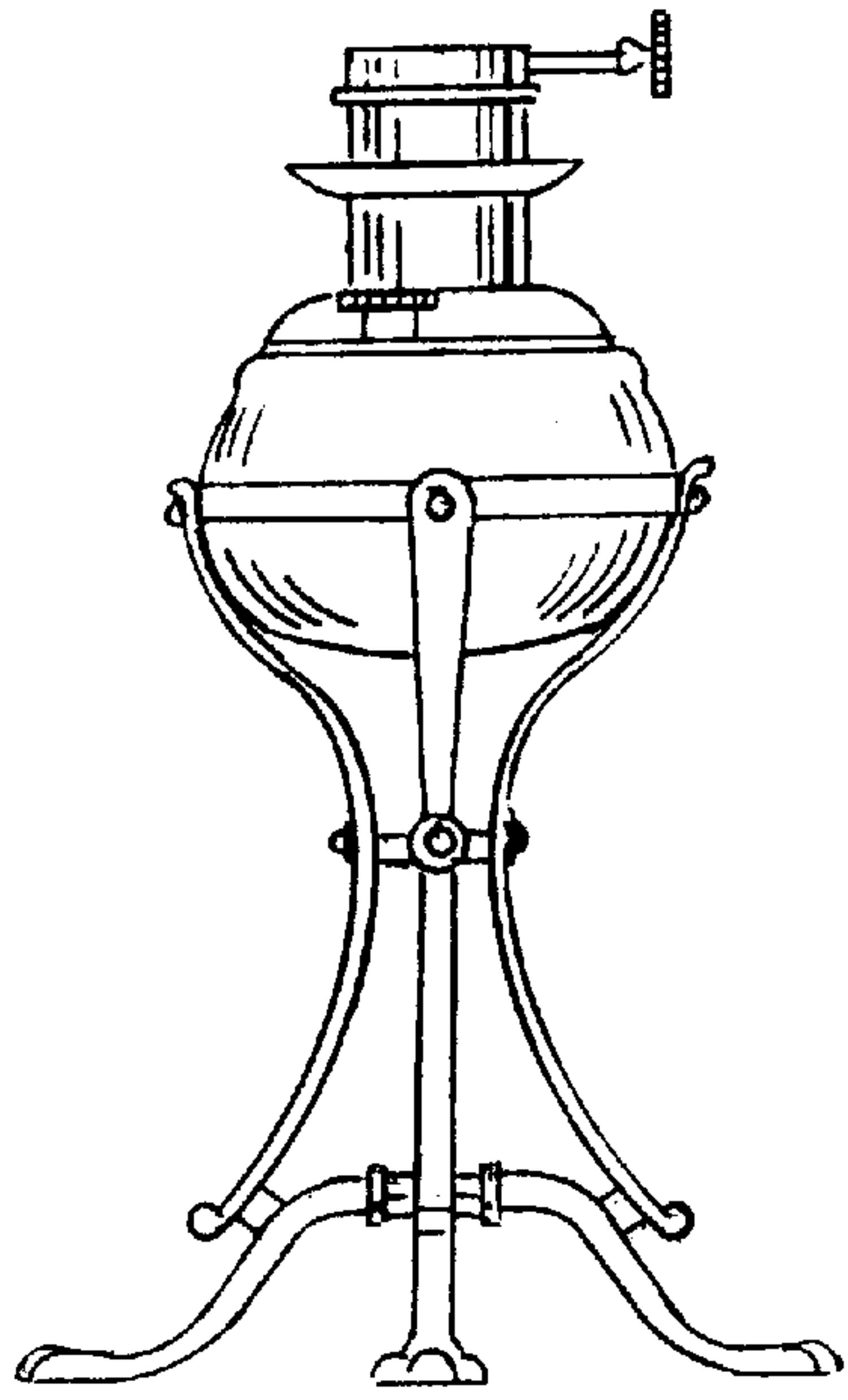


FIG. 1

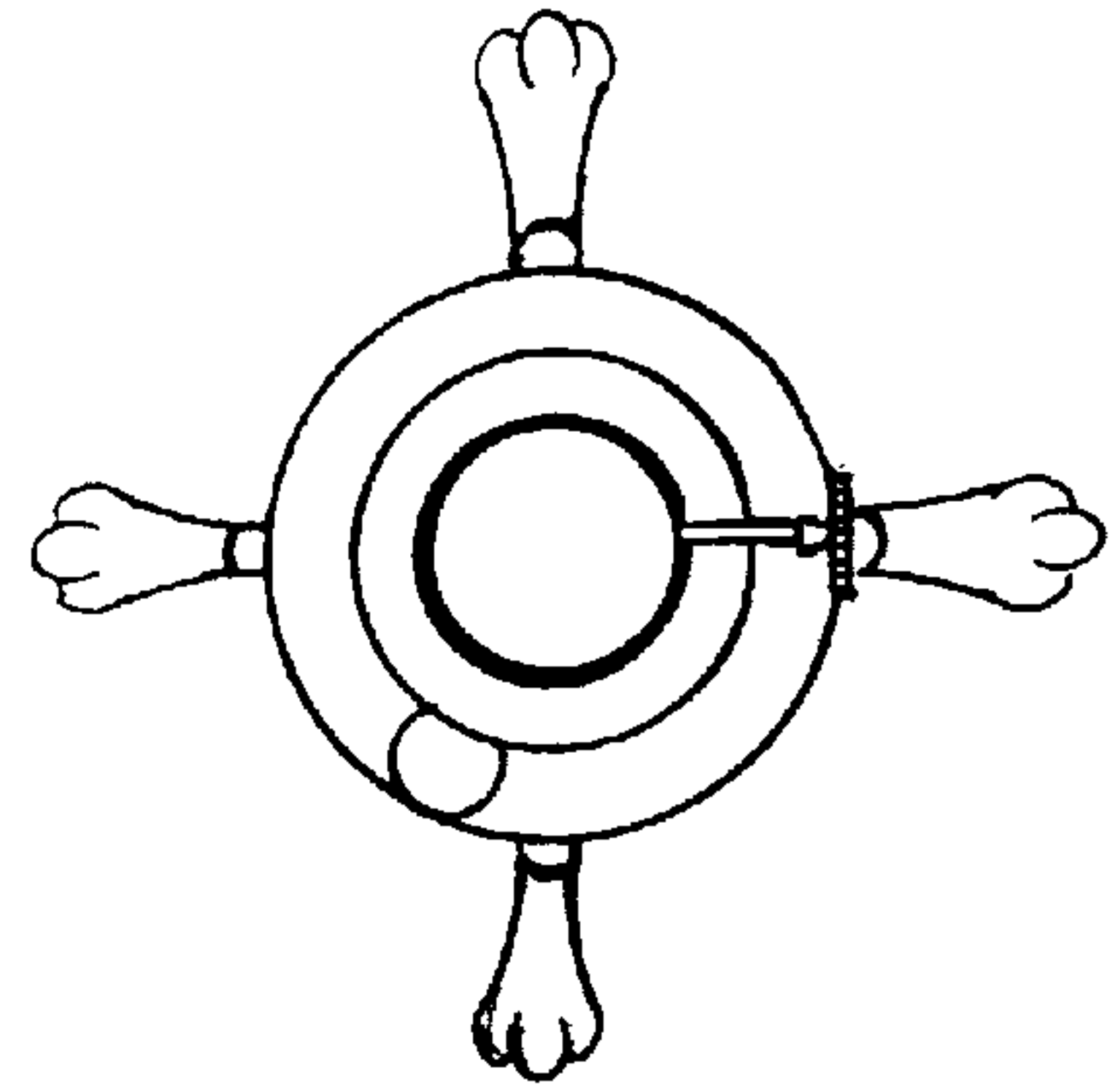


FIG. 2

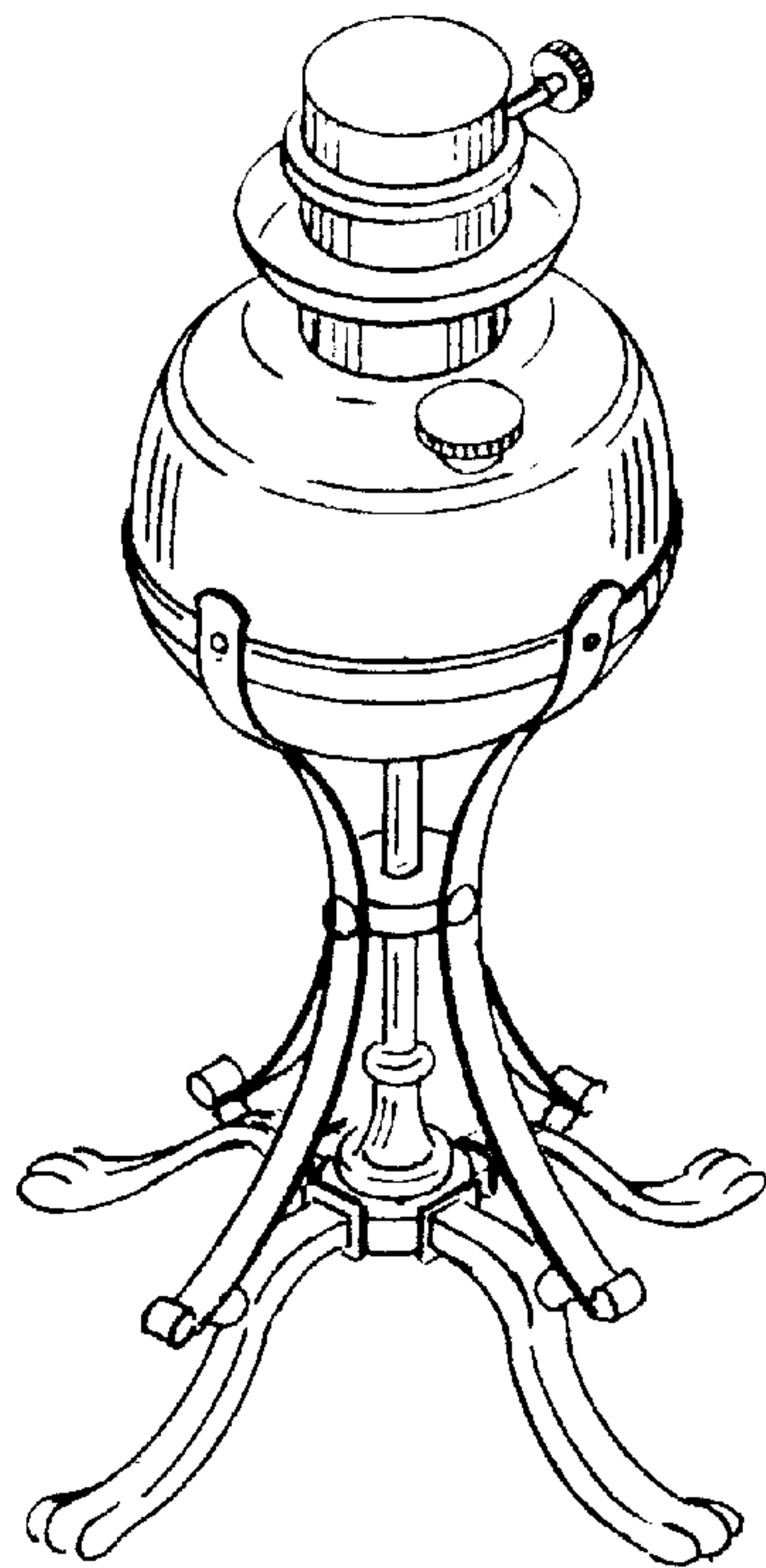


FIG. 3

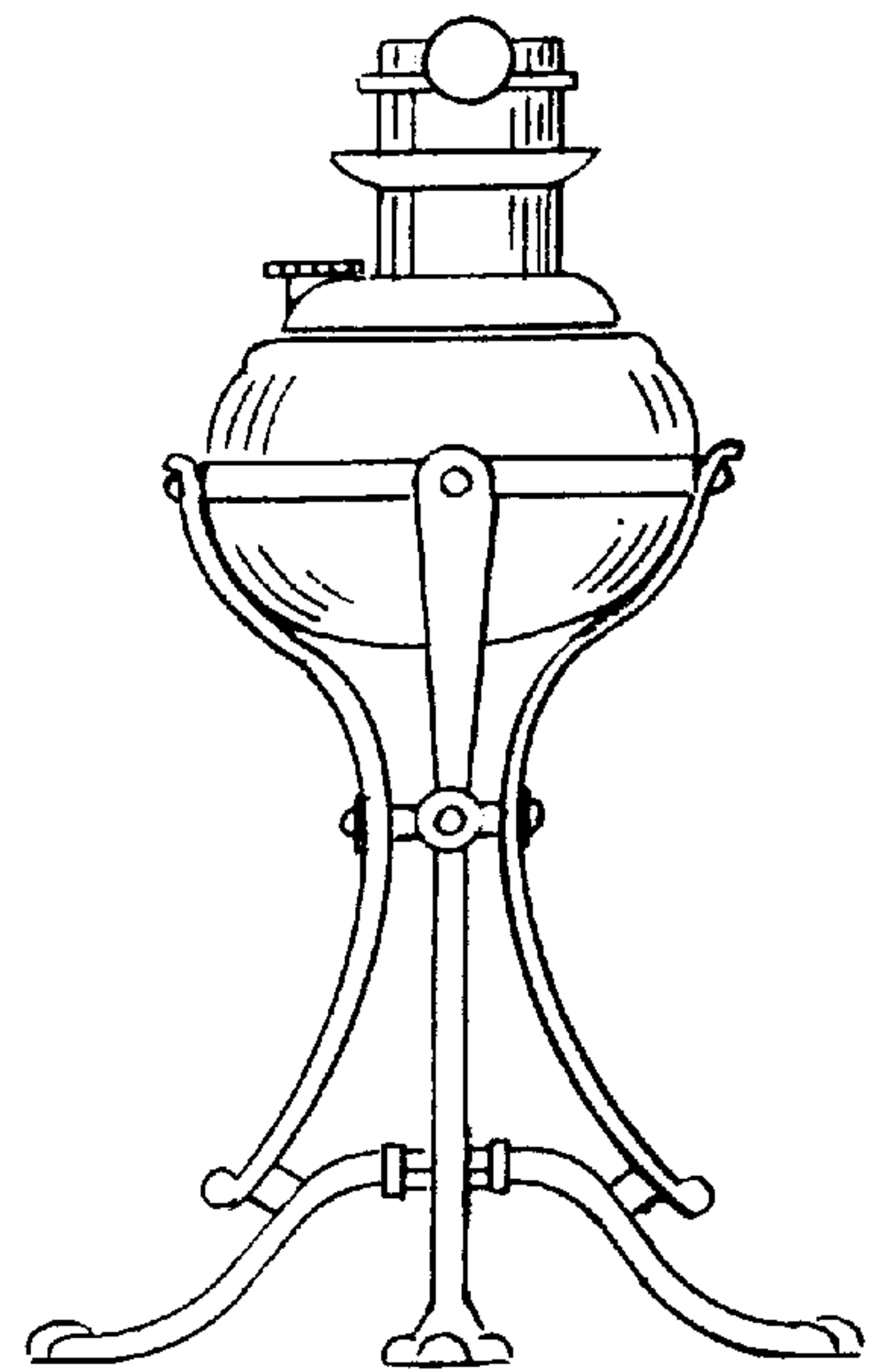


FIG. 4