



US00D427359S

United States Patent [19]

Swanson

[11] Patent Number: Des. 427,359

[45] Date of Patent: ** Jun. 27, 2000

[54] TORCHIERE FLOOR LAMP

[75] Inventor: Dennis K. Swanson, Woodland Hills, Calif.

[73] Assignee: Lamps Plus, Inc., Chatsworth, Calif.

[**] Term: 14 Years

[21] Appl. No.: 29/111,440

[22] Filed: Sep. 28, 1999

[51] LOC (7) Cl. 26-03

[52] U.S. Cl. D26/110

[58] Field of Search D26/93-112; 362/410-414

[56] References Cited

U.S. PATENT DOCUMENTS

D. 393,731	4/1998	Swanson	D26/110
5,997,160	12/1999	Swanson	362/414

Primary Examiner—Lisa Lichtenstein
Attorney, Agent, or Firm—Fulbright & Jaworski L.L.P.

[57] CLAIM

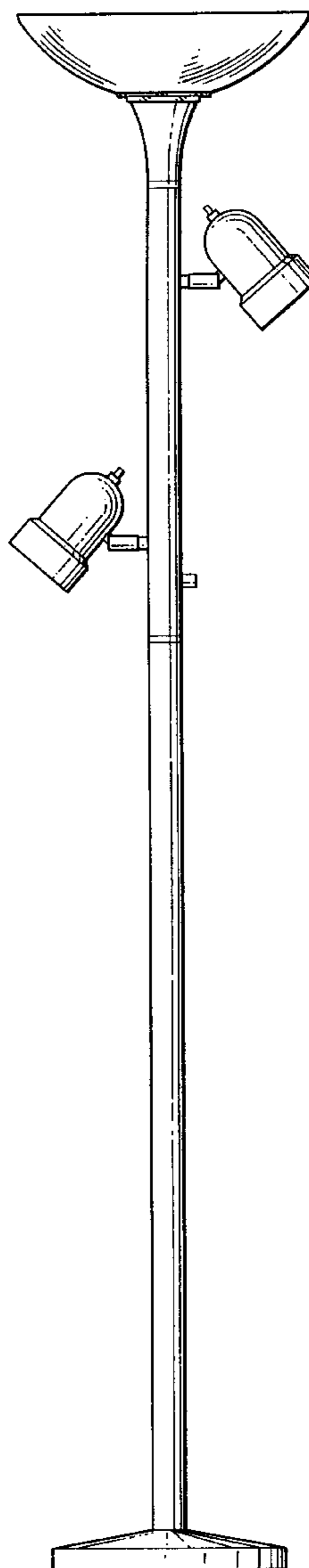
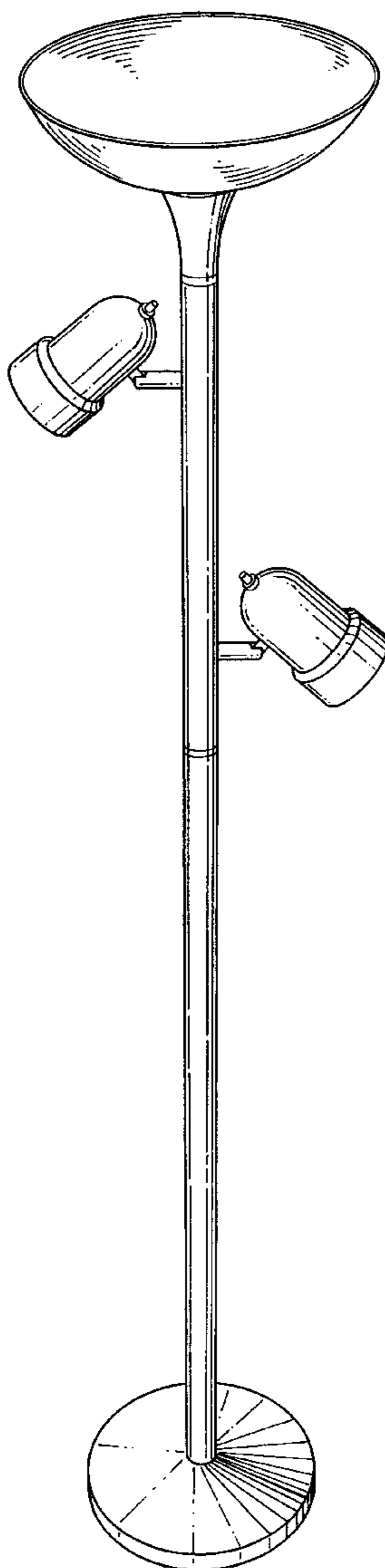
The ornamental design for a torchiere floor lamp, substantially as shown and described.

DESCRIPTION

FIG. 1 is a perspective view of a torchiere floor lamp of the present invention; FIG. 2 is a rear elevational view thereof; FIG. 3 is a rear elevational view thereof; FIG. 4 is a right side view thereof; FIG. 5 is a left side view thereof; and, FIG. 6 is a top view thereof.

The surface(s) or portion(s) of the article not shown in the drawing or described in the specification form(s) no part of the claimed design.

1 Claim, 4 Drawing Sheets



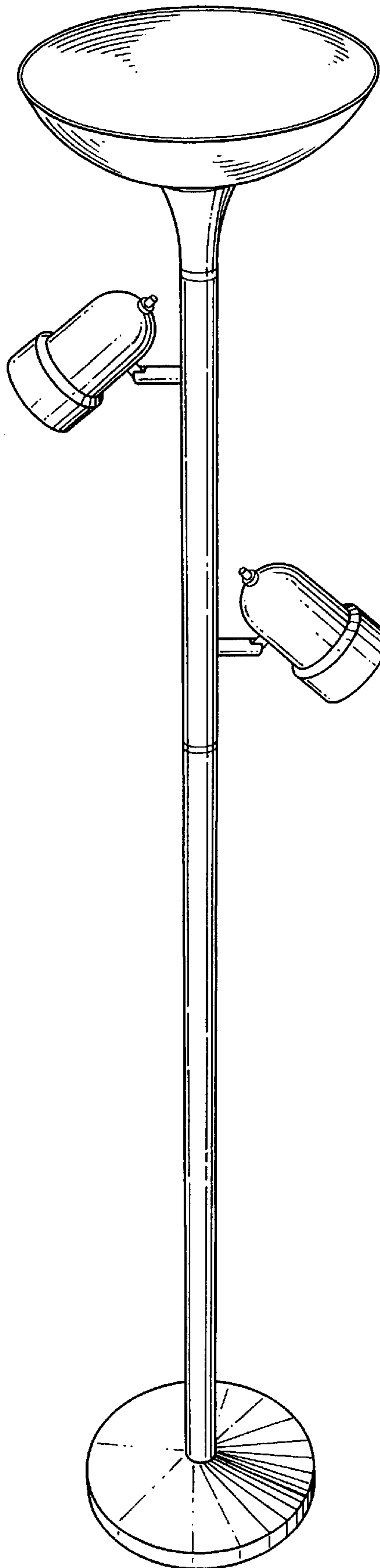


FIG. 1

FIG. 2

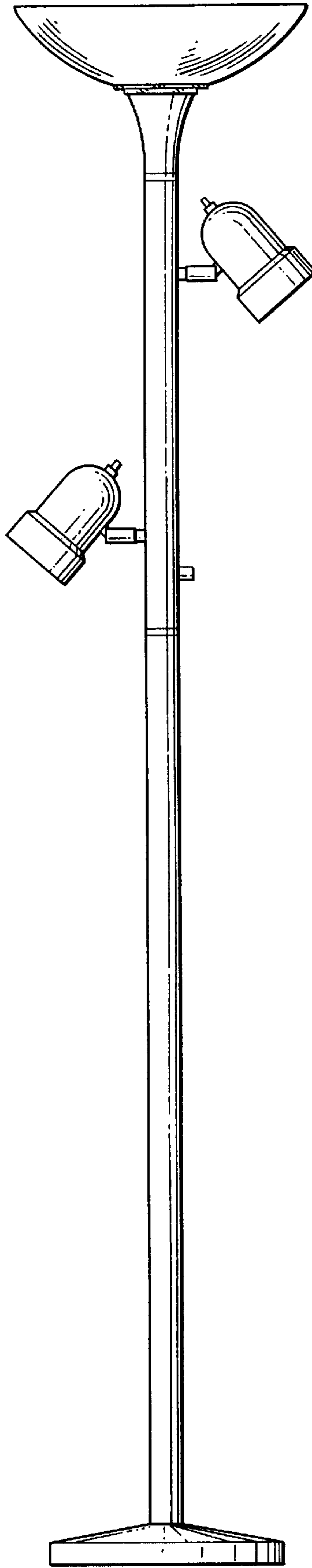
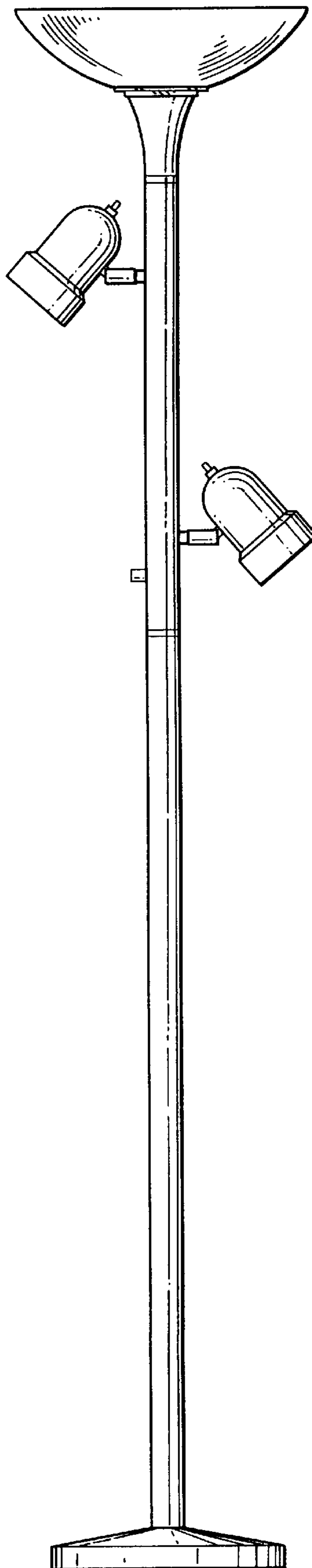


FIG. 3



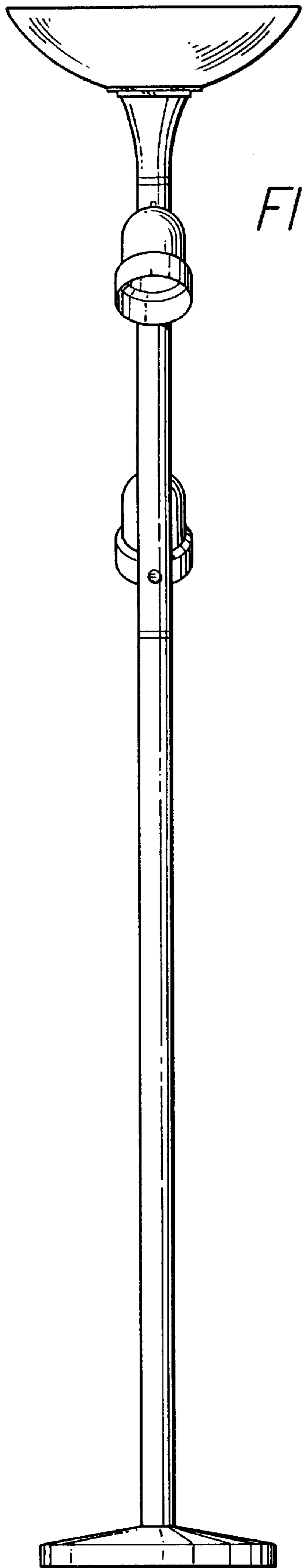


FIG. 4

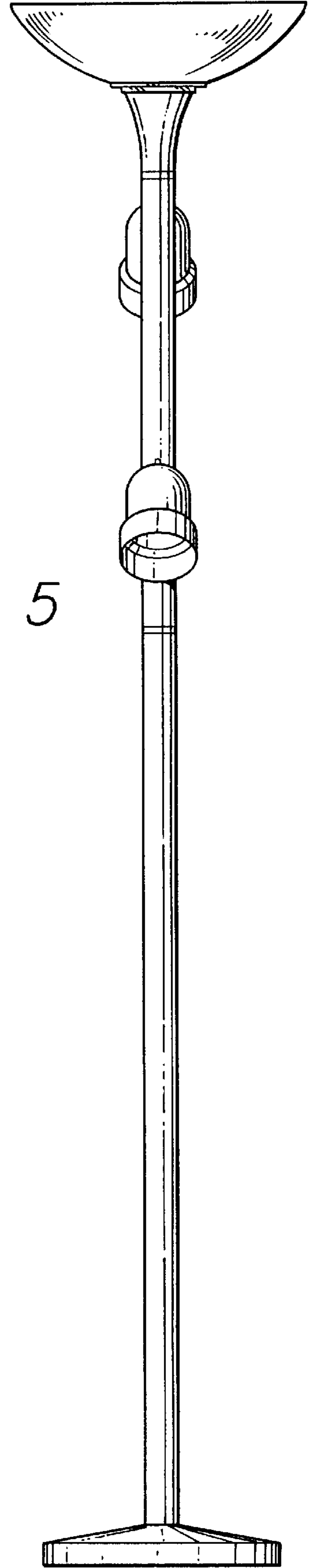


FIG. 5

FIG. 6

