



US00D427356S

United States Patent [19]
Gibbs et al.

[11] **Patent Number: Des. 427,356**

[45] **Date of Patent: ** Jun. 27, 2000**

[54] **LAMP**

[75] Inventors: **Cheryl Gibbs**, Boca Raton; **Denise Tedaldi**, Jupiter, both of Fla.

[73] Assignee: **Levenger Company**, Delray Beach, Fla.

[**] Term: **14 Years**

[21] Appl. No.: **29/102,929**

[22] Filed: **Apr. 5, 1999**

[51] **LOC (7) Cl.** **26-03**

[52] **U.S. Cl.** **D26/110**

[58] **Field of Search** D26/93-112; 362/410-414

[56] **References Cited**

U.S. PATENT DOCUMENTS

2,199,985 5/1940 Craib D26/110

Primary Examiner—Lisa Lichtenstein
Attorney, Agent, or Firm—Quarles & Brady LLP

[57] **CLAIM**

The ornamental design for a lamp, as shown and described.

DESCRIPTION

FIG. 1 is a perspective view.

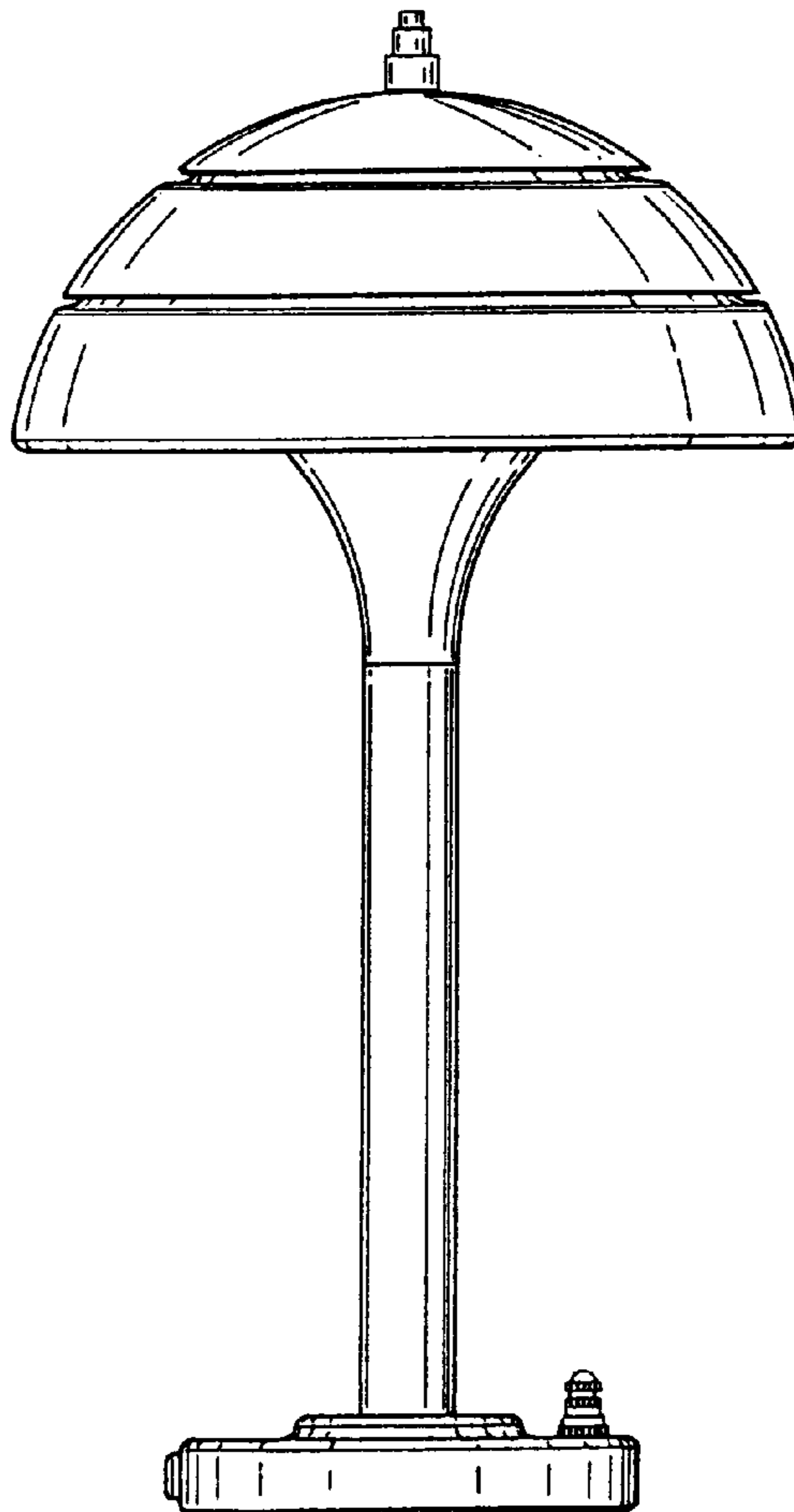
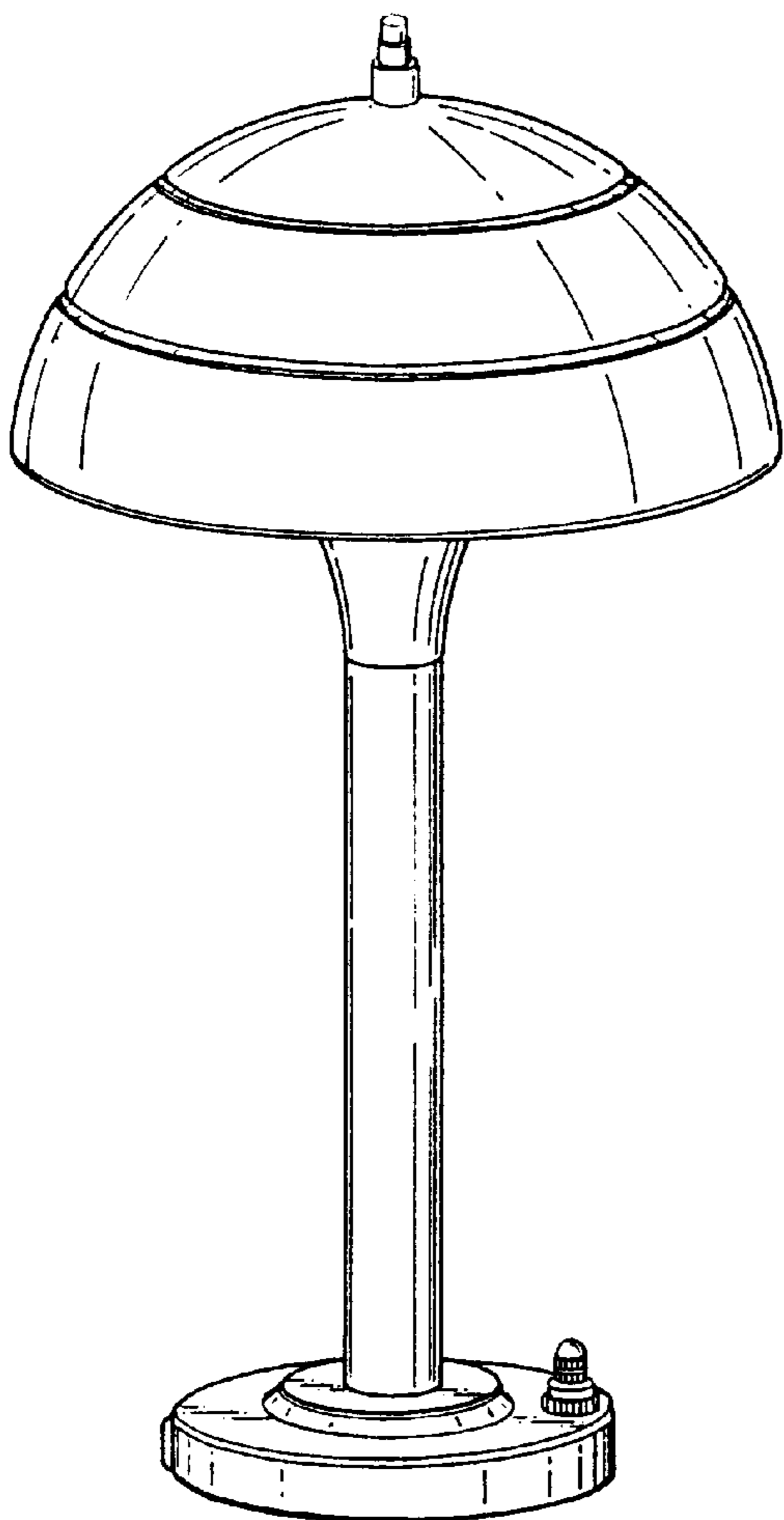
FIG. 2 is a front elevation view.

FIG. 3 is a right side elevation view, the opposite side elevation view being substantially a mirror image thereof.

FIG. 4 is a top plan view; and,

FIG. 5 is a bottom plan view.

1 Claim, 2 Drawing Sheets



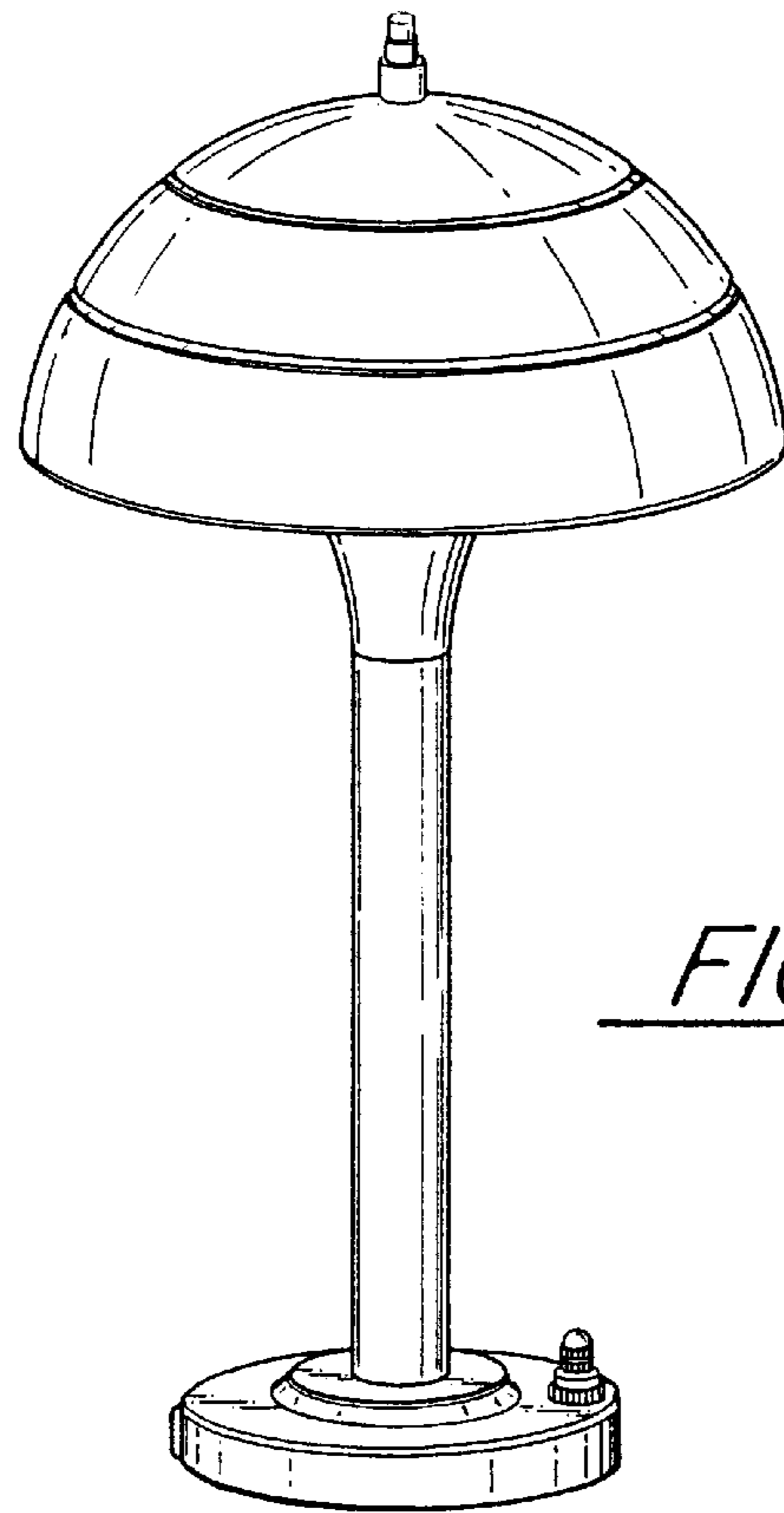


FIG. 1

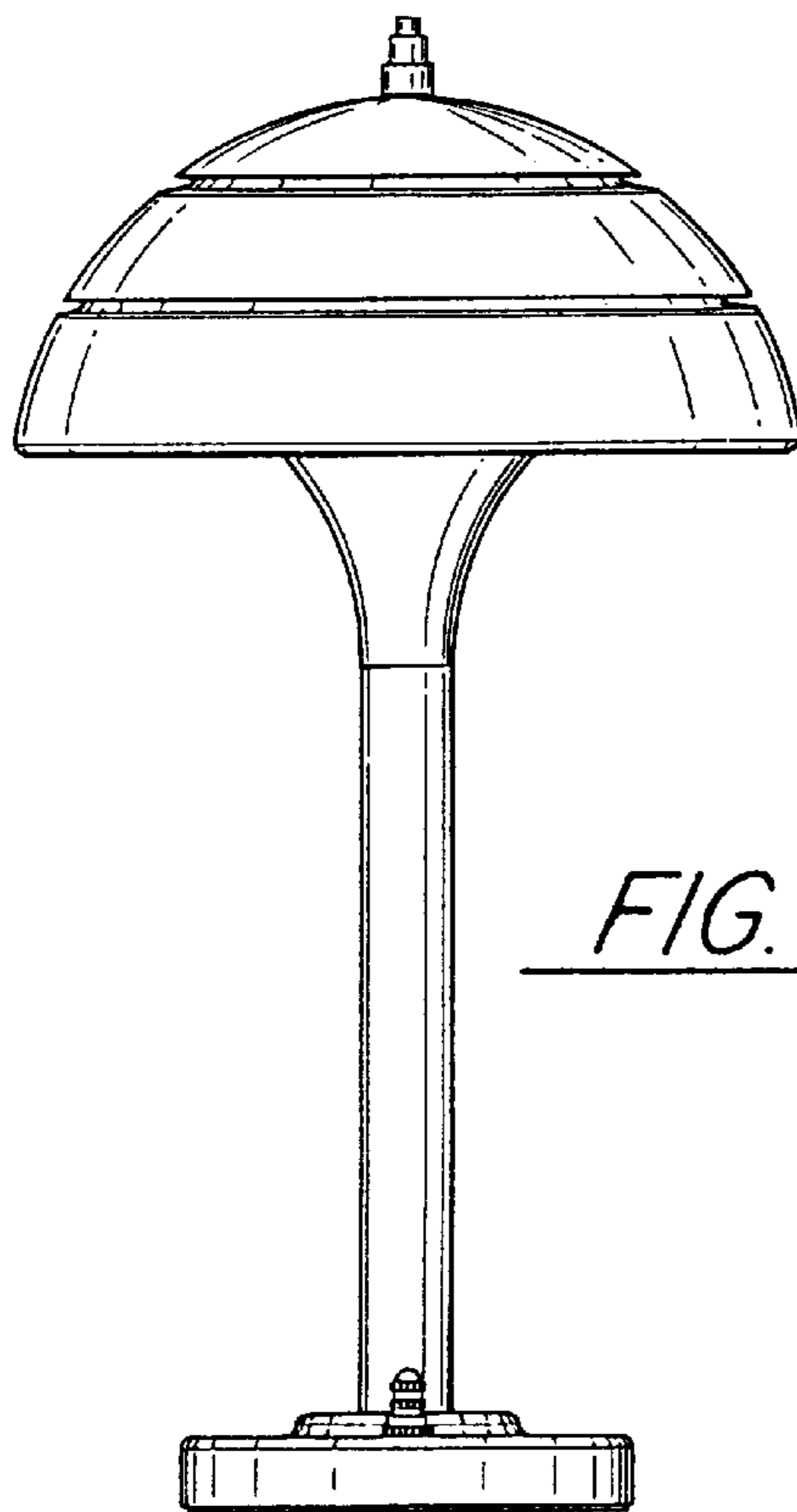


FIG. 2

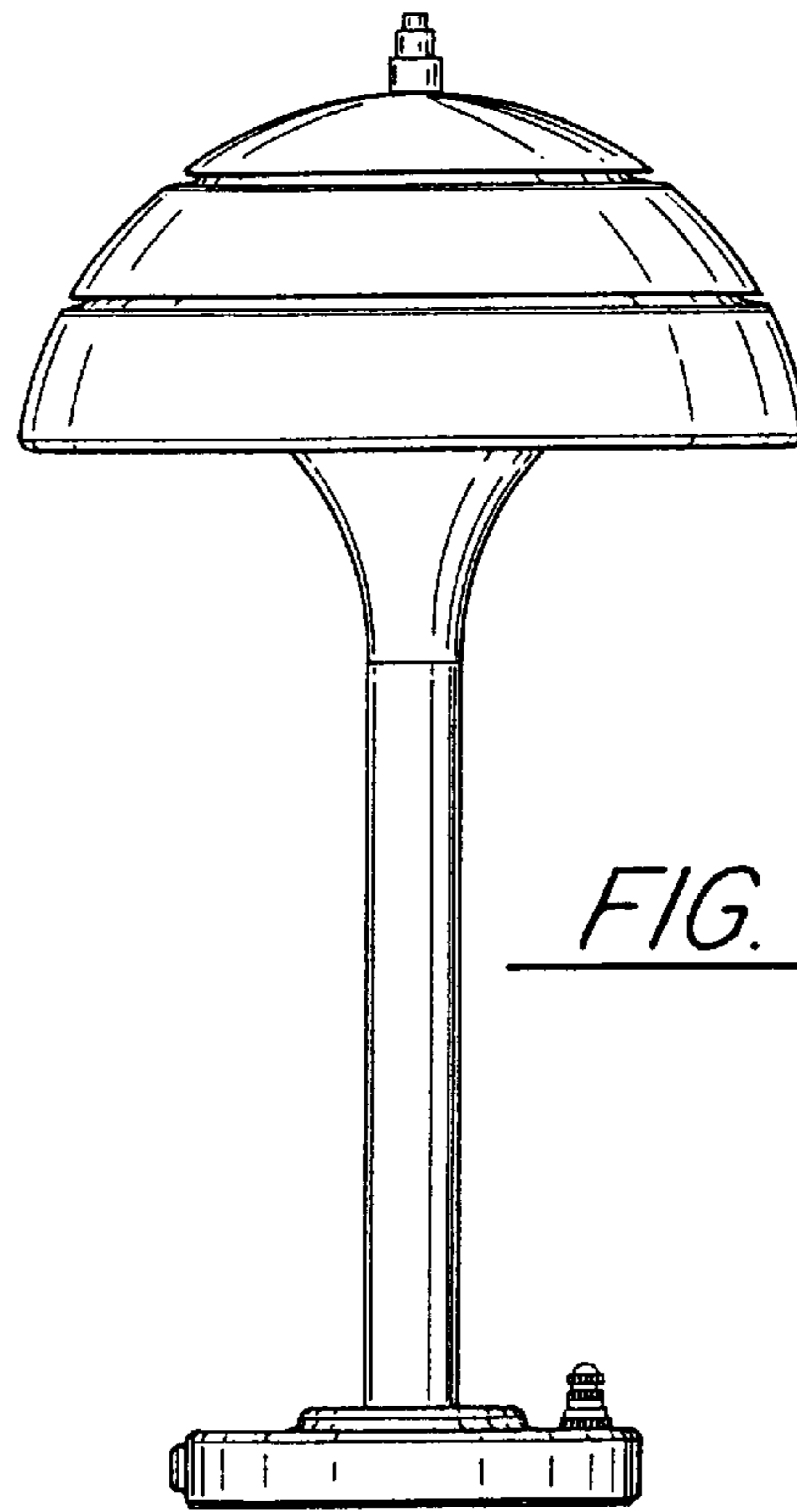


FIG. 3

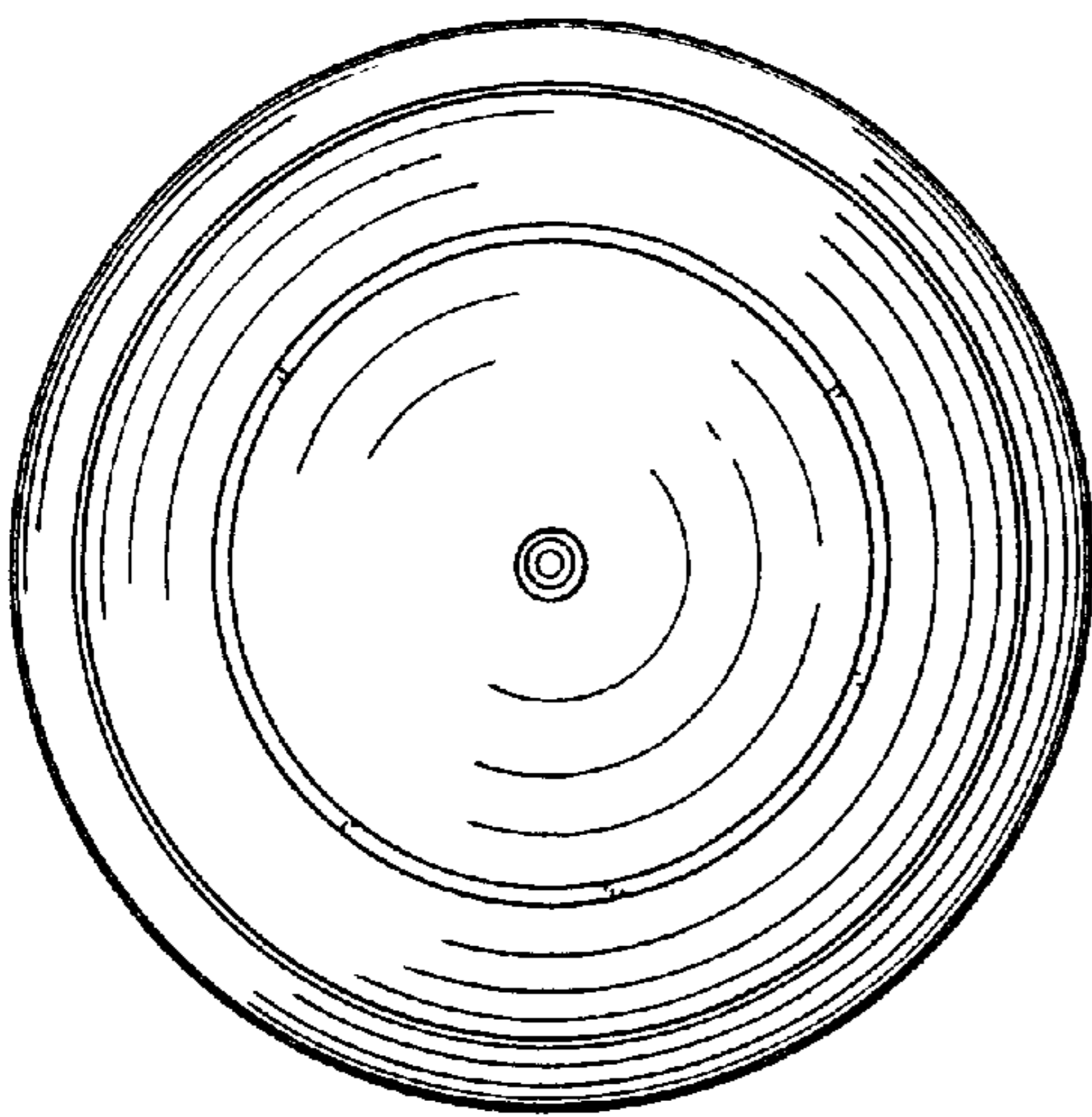


FIG. 4

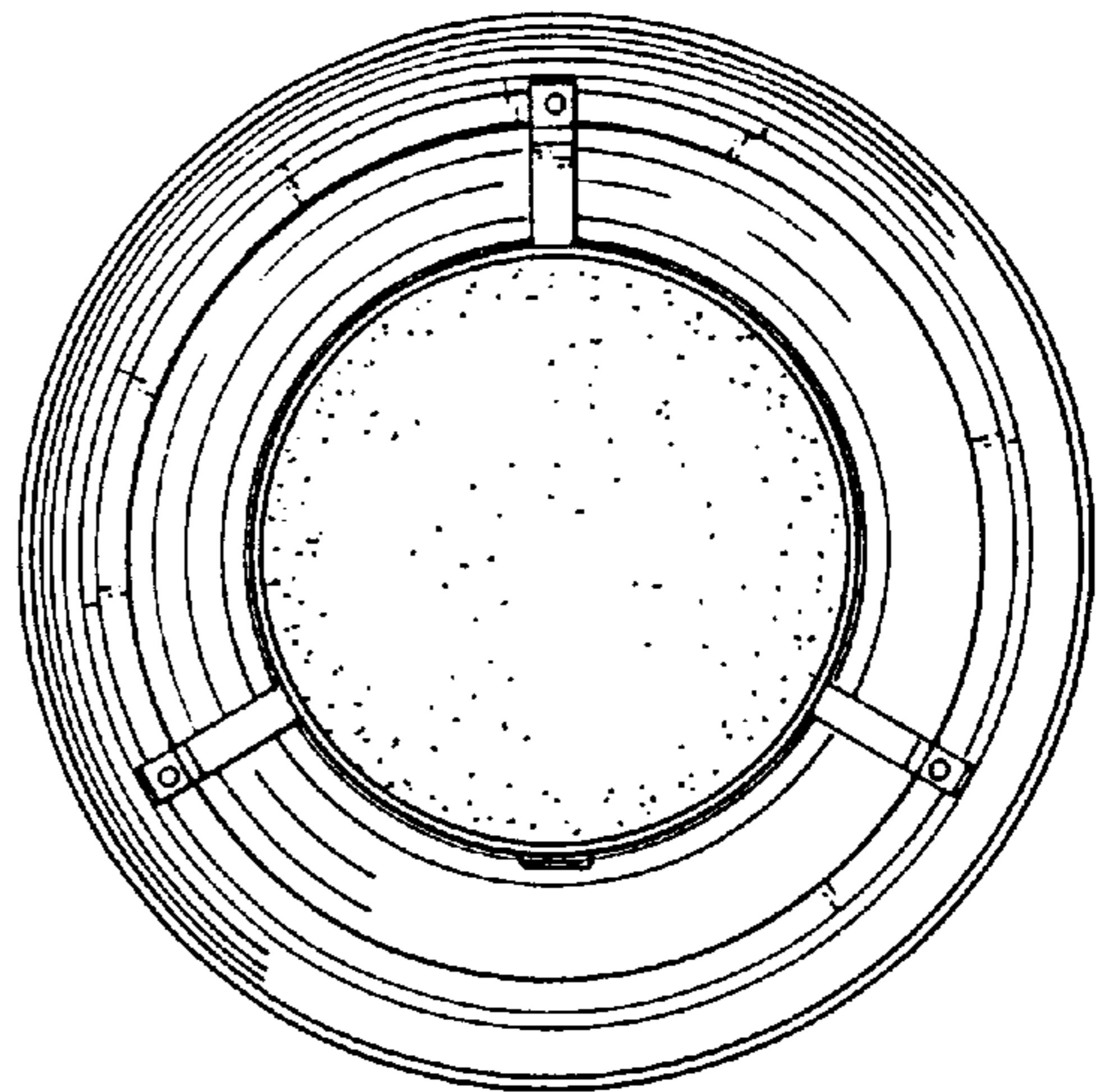


FIG. 5