



US00D427351S

United States Patent [19]
Landefeld

[11] **Patent Number: Des. 427,351**
[45] **Date of Patent: ** Jun. 27, 2000**

[54] **LUMINAIRE**
[75] Inventor: **Cory W. Landefeld**, Long Beach, Calif.
[73] Assignee: **Architectural Area Lighting**, La Mirada, Calif.
[**] Term: **14 Years**
[21] Appl. No.: **29/117,342**
[22] Filed: **Jan. 19, 2000**

5,384,694 1/1995 Yang 362/431
5,669,702 9/1997 Wang 362/234

OTHER PUBLICATIONS

Ad Sheet for the Saturn 1, SAI-0195-01, se'lux Corp., 1995 (2 pages).
Ad Sheet for Satellit Mini, Jens Moller Jensen, Designer, 1 page; date unknown, prior to filing date.
Ad Sheet for HW Patina, Louis Poulsen, 1 page, date unknown, prior to filing date.

Primary Examiner—Susan J. Lucas
Attorney, Agent, or Firm—Lyon & Lyon LLP

Related U.S. Application Data

[62] Division of application No. 29/092,063, Aug. 11, 1998.
[51] **LOC (7) Cl.** **26-05**
[52] **U.S. Cl.** **D26/67**
[58] **Field of Search** D26/67-71; 362/431, 362/147, 153, 153.1, 234

[57] **CLAIM**

The ornamental design for a luminaire, as shown and described.

DESCRIPTION

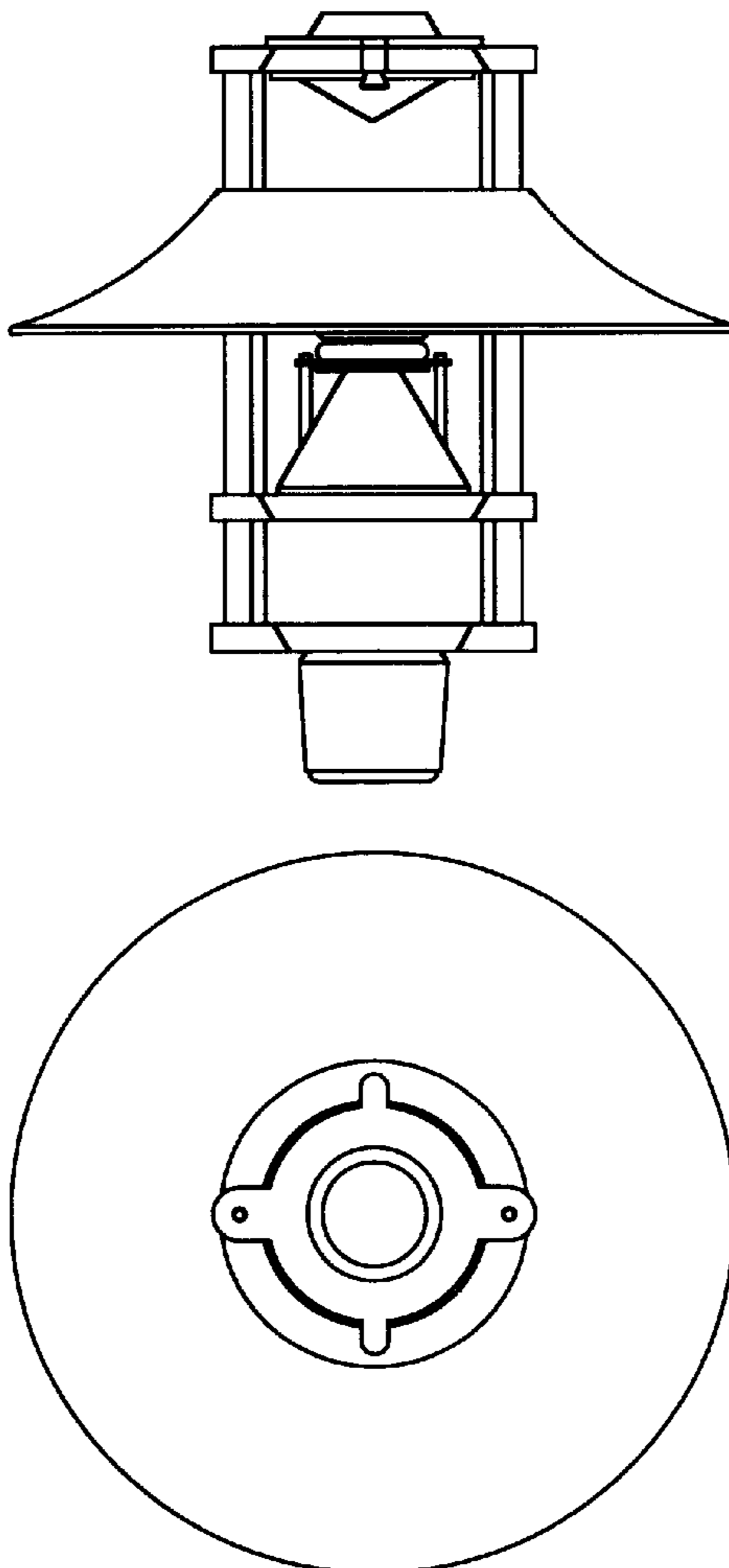
FIG. 1 is a front view,
FIG. 2 is a right side view (the left side view being the same),
FIG. 3 is a top view, and;
FIG. 4 is a bottom view.

[56] **References Cited**

U.S. PATENT DOCUMENTS

242,999 6/1881 Smokey 362/449
586,986 7/1897 Bolles 362/347
1,950,131 3/1934 Barlow et al. 362/347 X

1 Claim, 1 Drawing Sheet



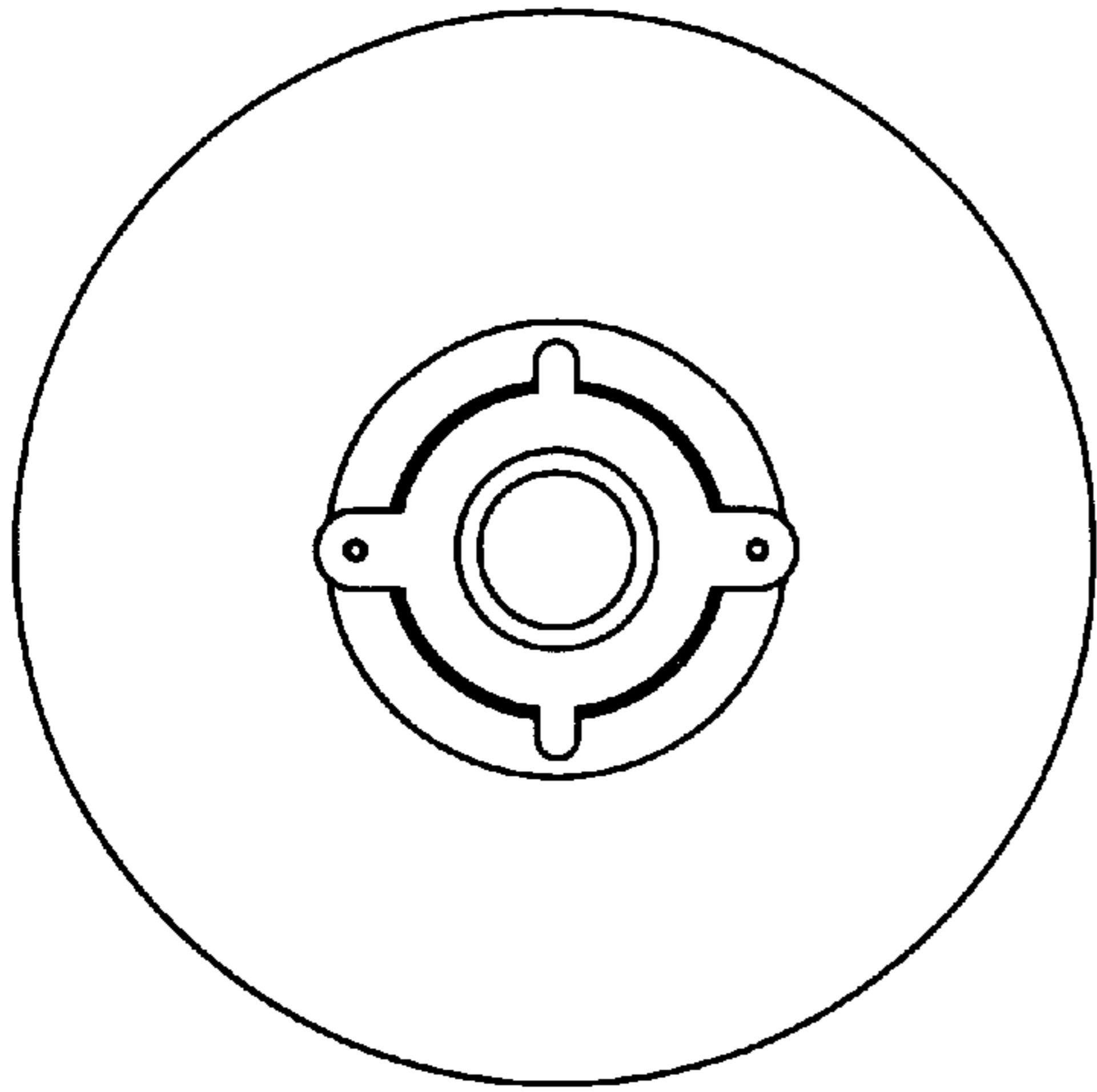


FIG. 3

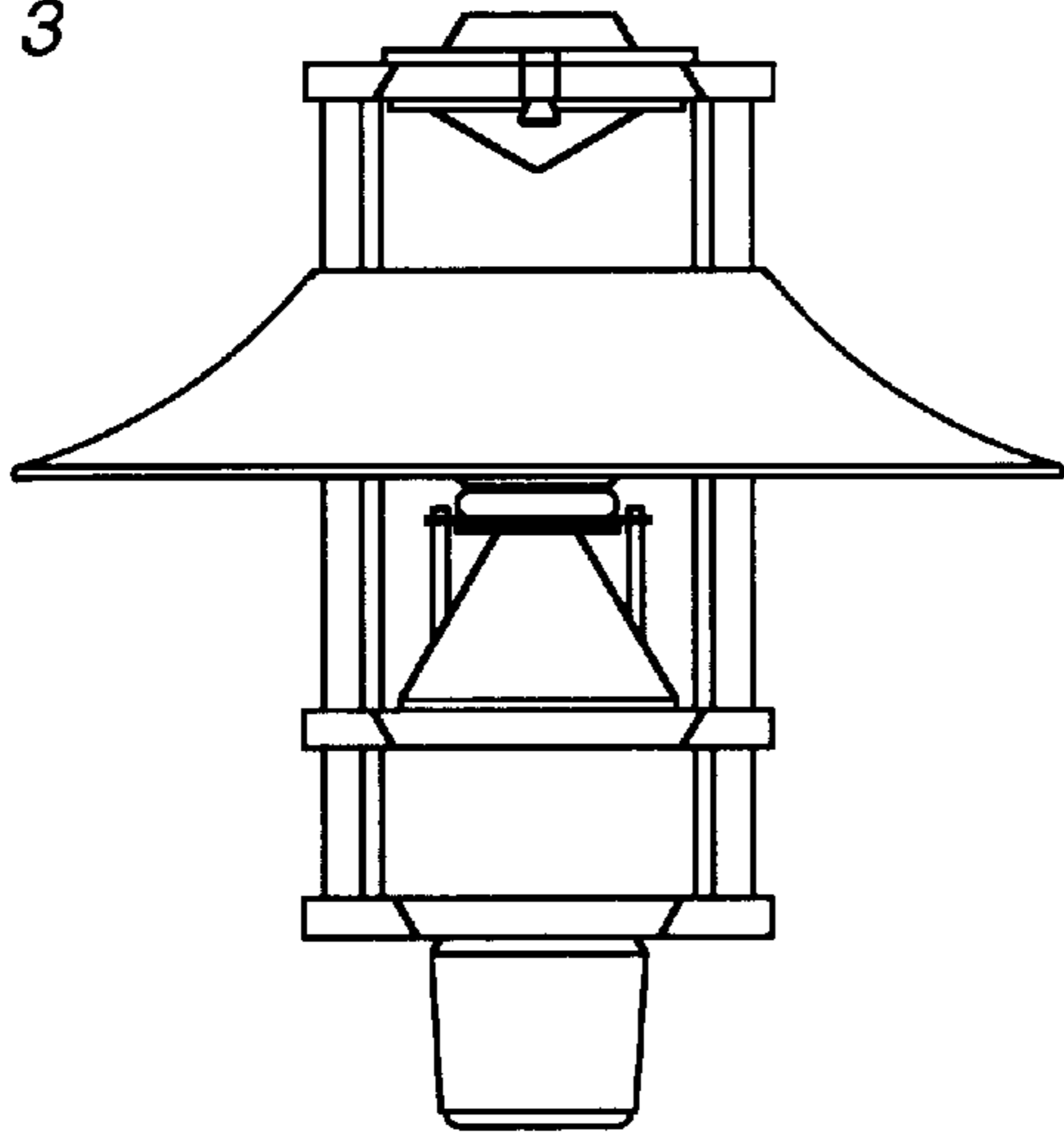


FIG. 1

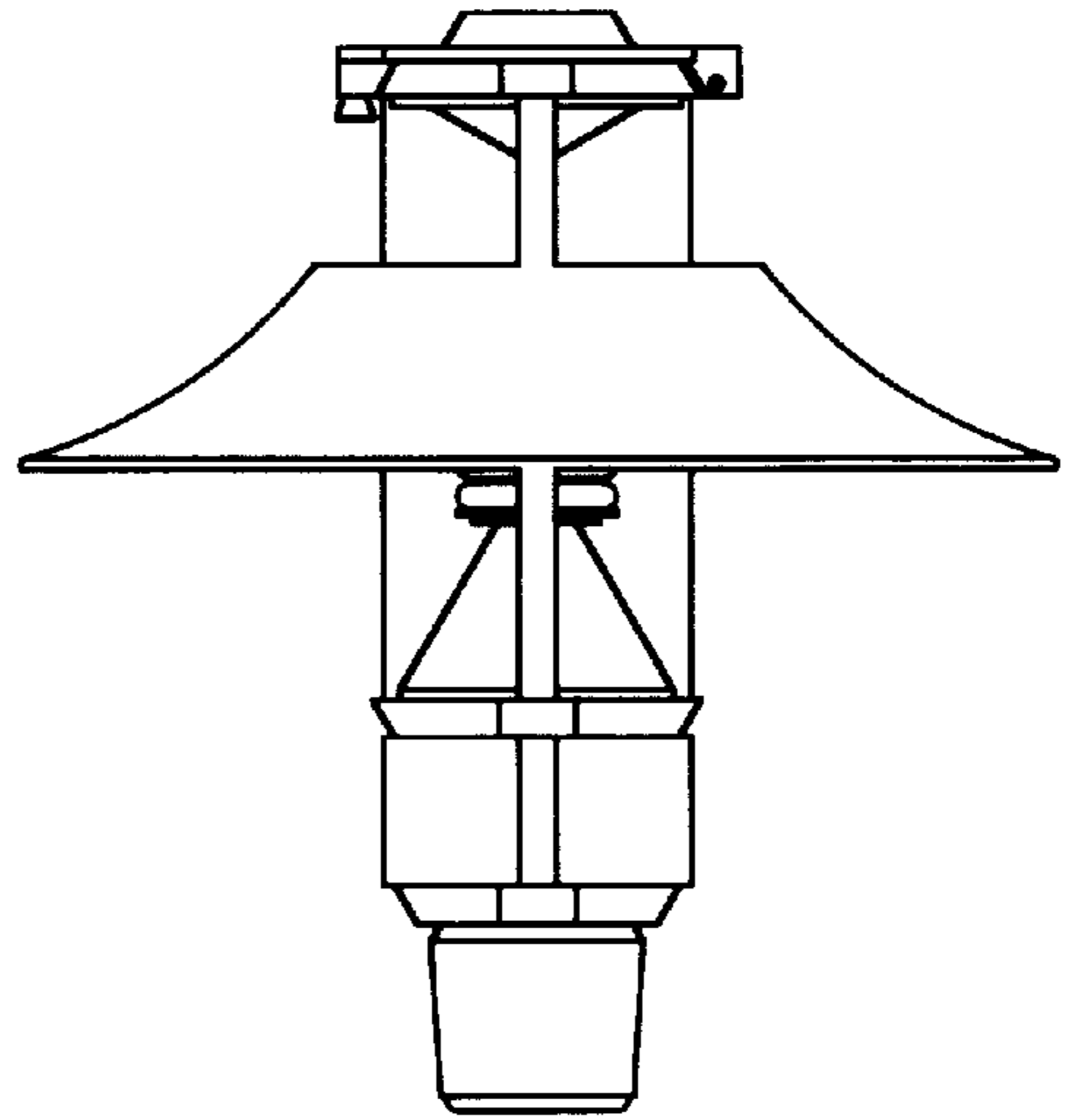


FIG. 2

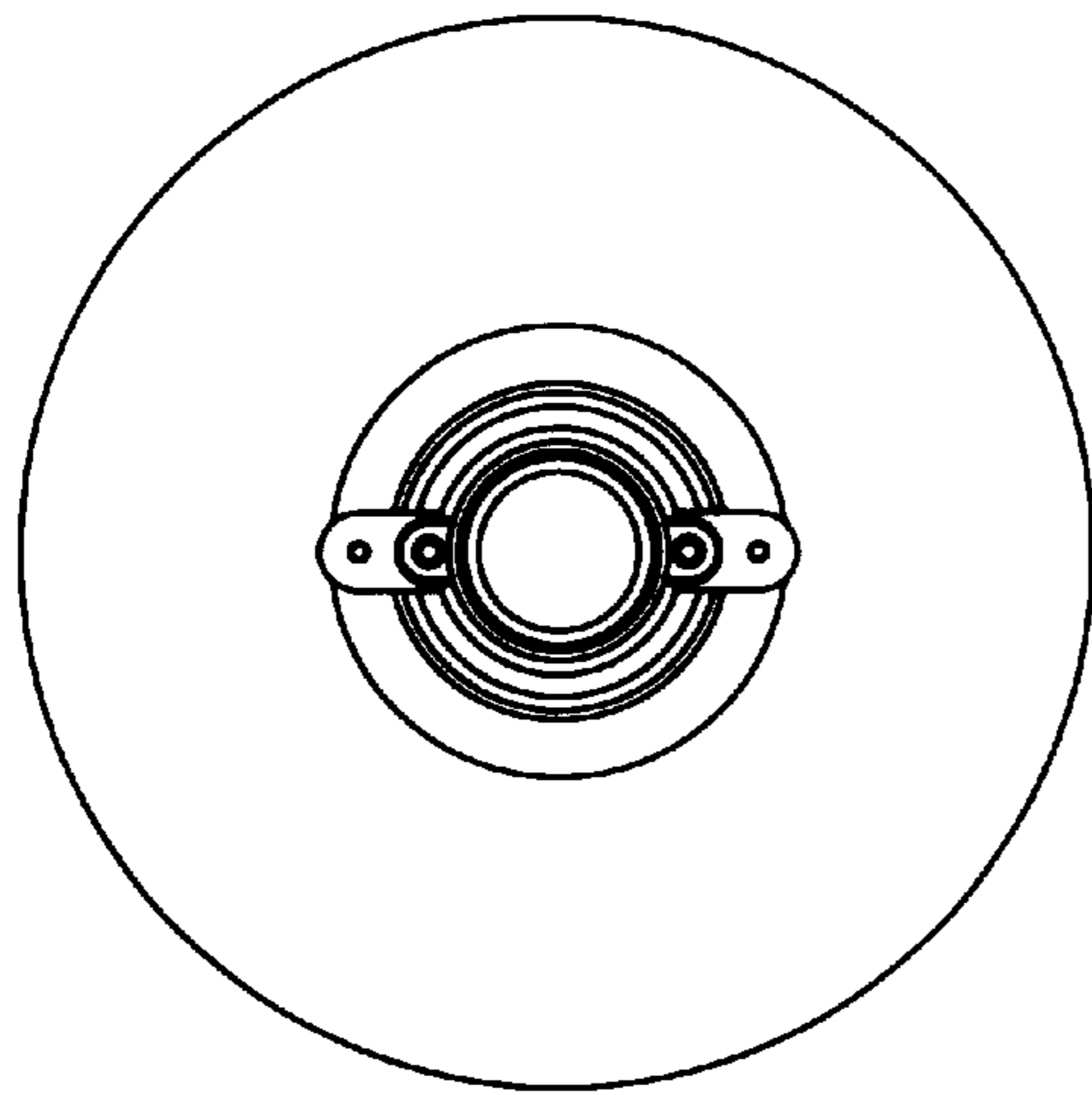


FIG. 4