



US00D427349S

United States Patent [19] Landefeld

[11] **Patent Number: Des. 427,349**

[45] **Date of Patent: ** Jun. 27, 2000**

[54] **LUMINAIRE**

[75] Inventor: **Cory W. Landefeld**, Long Beach, Calif.

[73] Assignee: **Architectural Area Lighting**, La Mirada, Calif.

[**] Term: **14 Years**

[21] Appl. No.: **29/092,063**

[22] Filed: **Aug. 11, 1998**

[51] **LOC (7) Cl.** **26-05**

[52] **U.S. Cl.** **D26/67**

[58] **Field of Search** D26/67-71; 362/431, 362/147, 153, 153.1, 234

[56] **References Cited**

U.S. PATENT DOCUMENTS

242,999	6/1881	Smokey	362/349
586,986	7/1897	Bolles	362/347
1,950,131	9/1934	Barlow et al.	362/347 X
5,384,694	1/1995	Yang	362/431
5,669,702	9/1997	Wang	362/234

OTHER PUBLICATIONS

Ad Sheet for the Saturn 1, SA1-0195-01, se'lux Corp., 1995 (2 pages).

Ad Sheet for Satellit Mini, Jens Moller Jensen, Designer, 1 page; date unknown prior to filing date.

Ad Sheet for HW Patina, Louis Poulsen, 1 page, date unknown prior to filing date.

Kim Lighting catalog, p. 4, exterior lighting fixture #EL-32, reflector, Aug. 1964.

Primary Examiner—Susan J. Lucas
Attorney, Agent, or Firm—Lyon & Lyon LLP

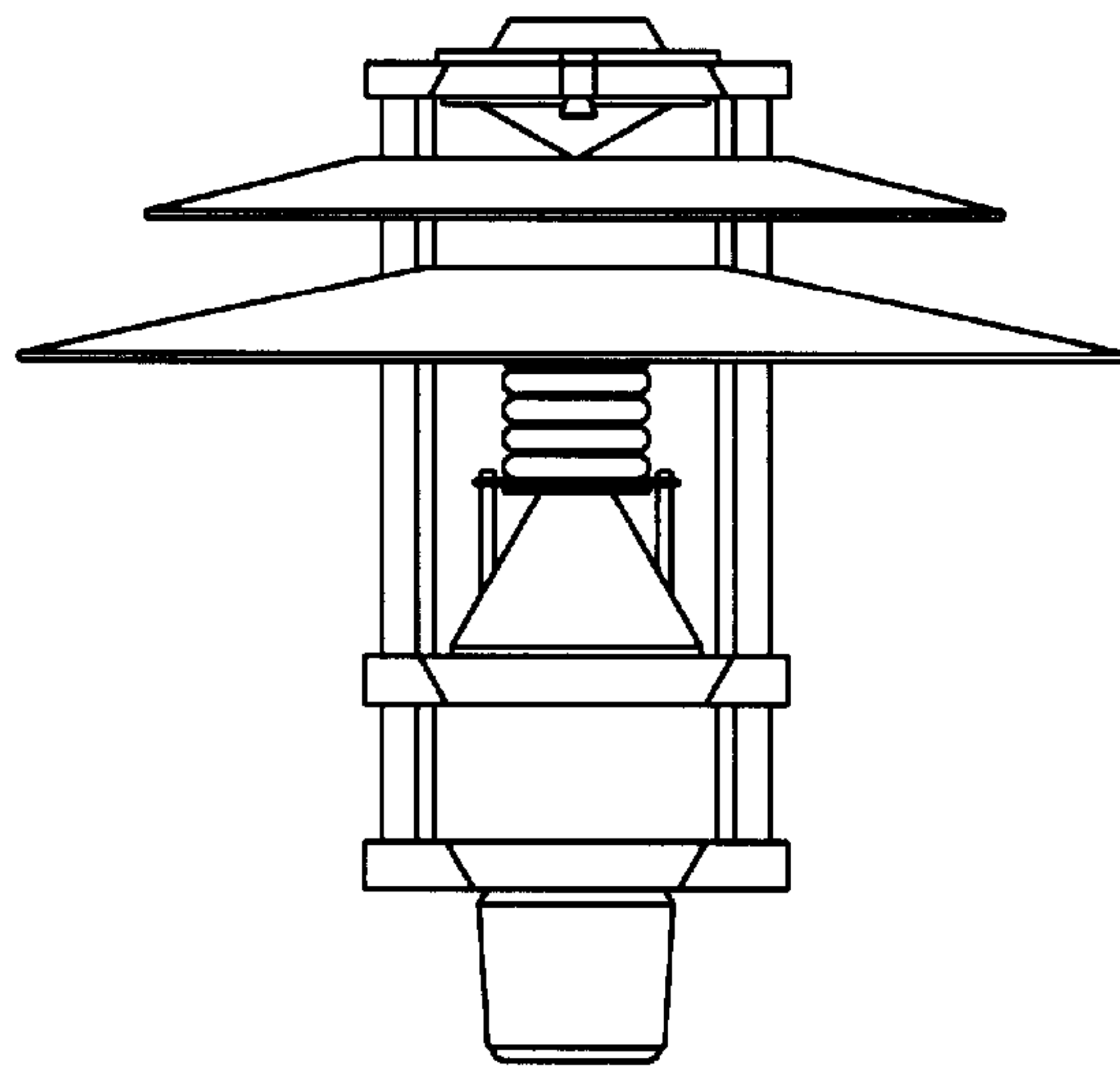
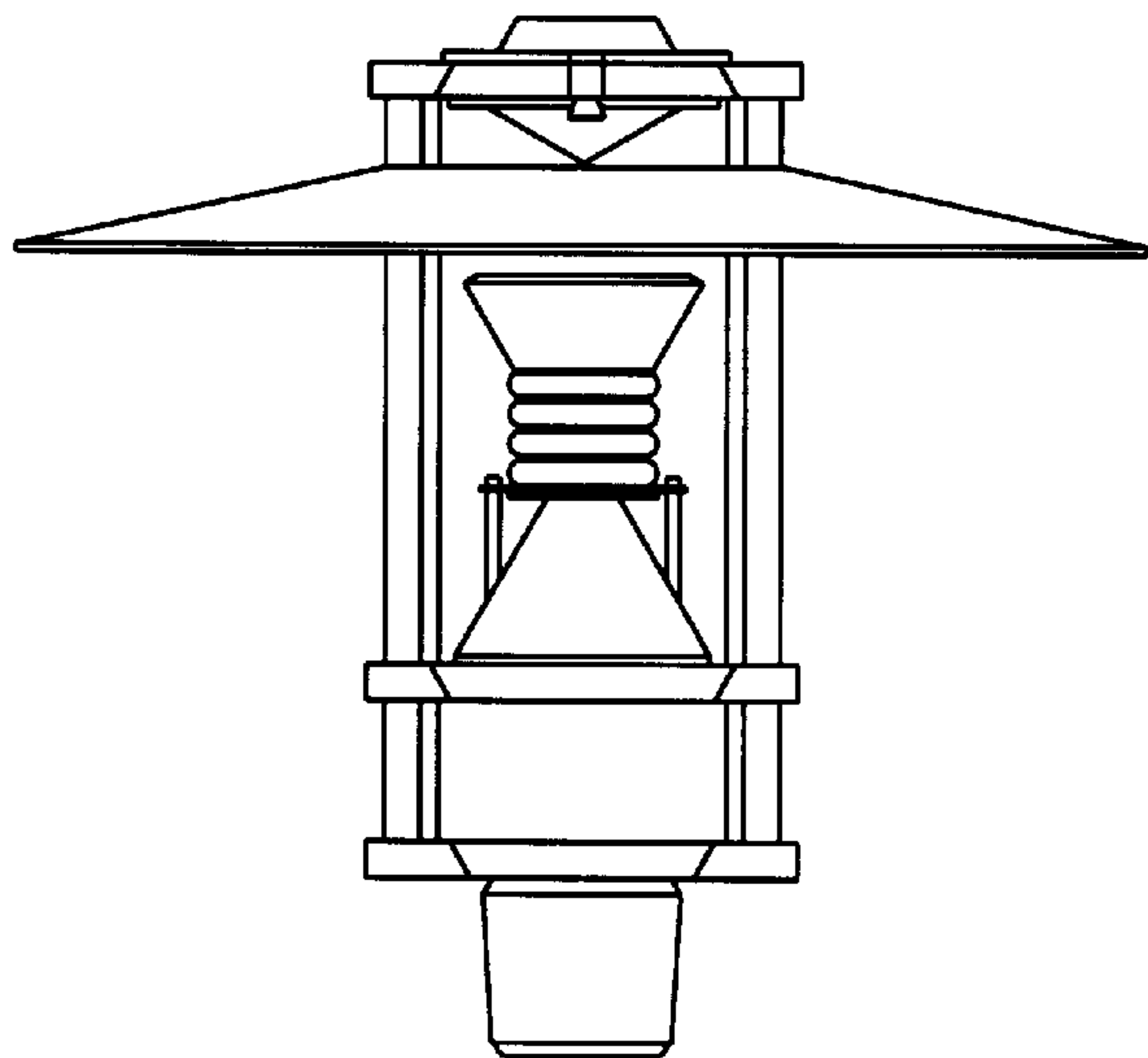
[57] **CLAIM**

The ornamental design for a luminaire, as shown and described.

DESCRIPTION

FIG. 1 is a front view,
FIG. 2 is a right side view (the left side view being the same),
FIG. 3 is a top view, and
FIG. 4 is a bottom view.
FIGS. 5 through 8 illustrate a second embodiment wherein
FIG. 5 is a front view,
FIG. 6 is a right side view (the left side view being the same),
FIG. 7 is a top view; and,
FIG. 8 is a bottom view.

1 Claim, 2 Drawing Sheets



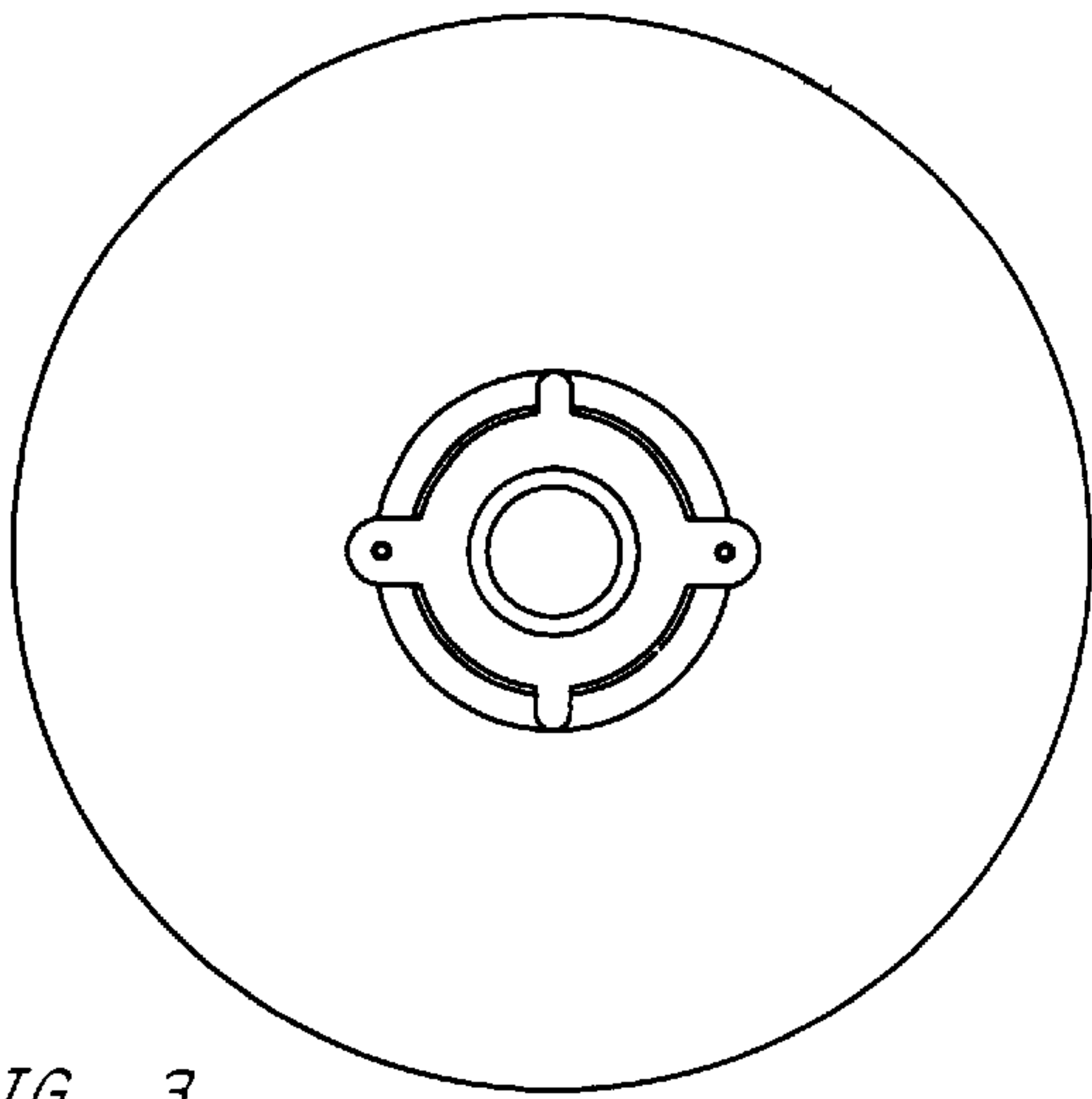


FIG. 3

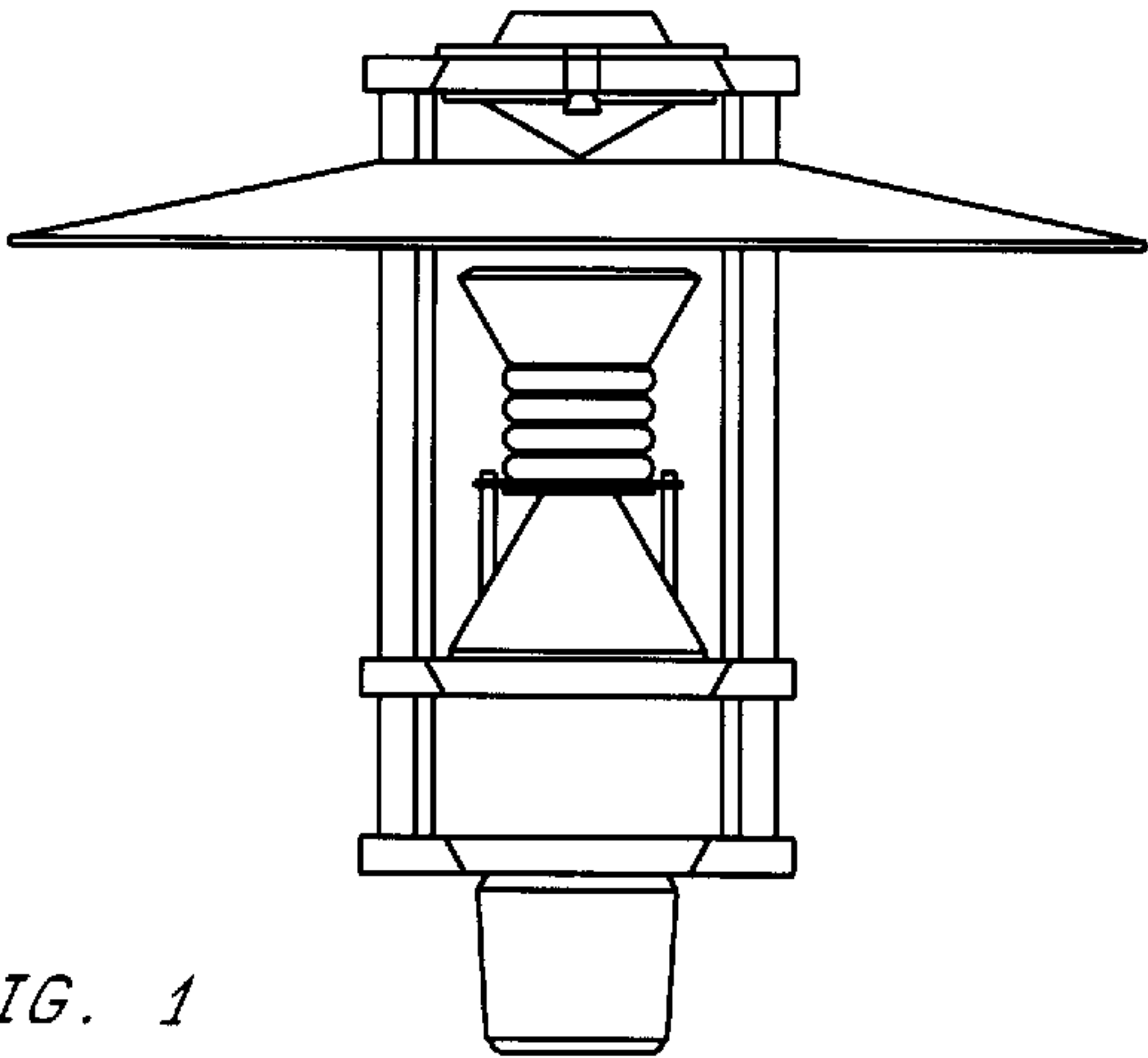


FIG. 1

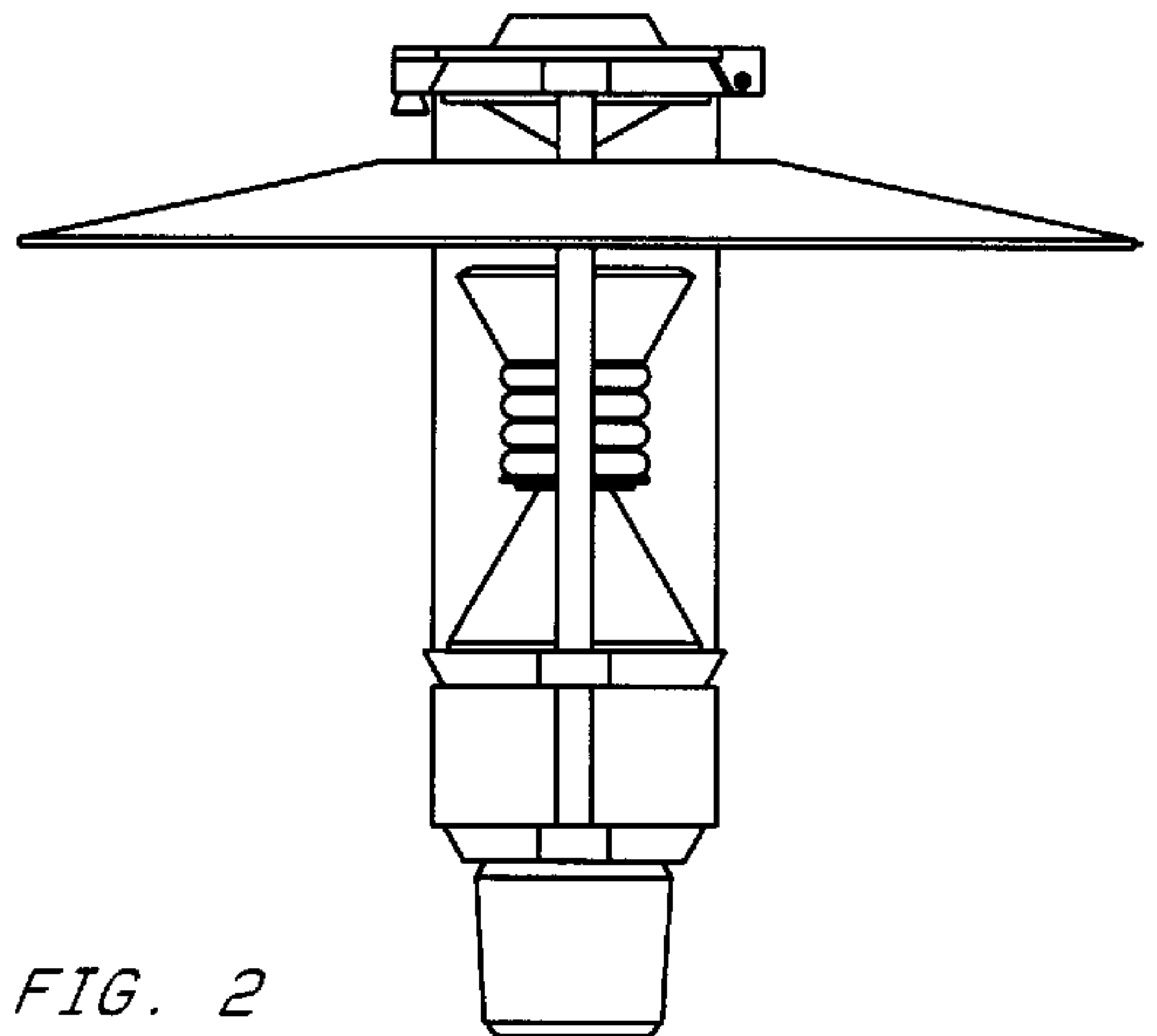


FIG. 2

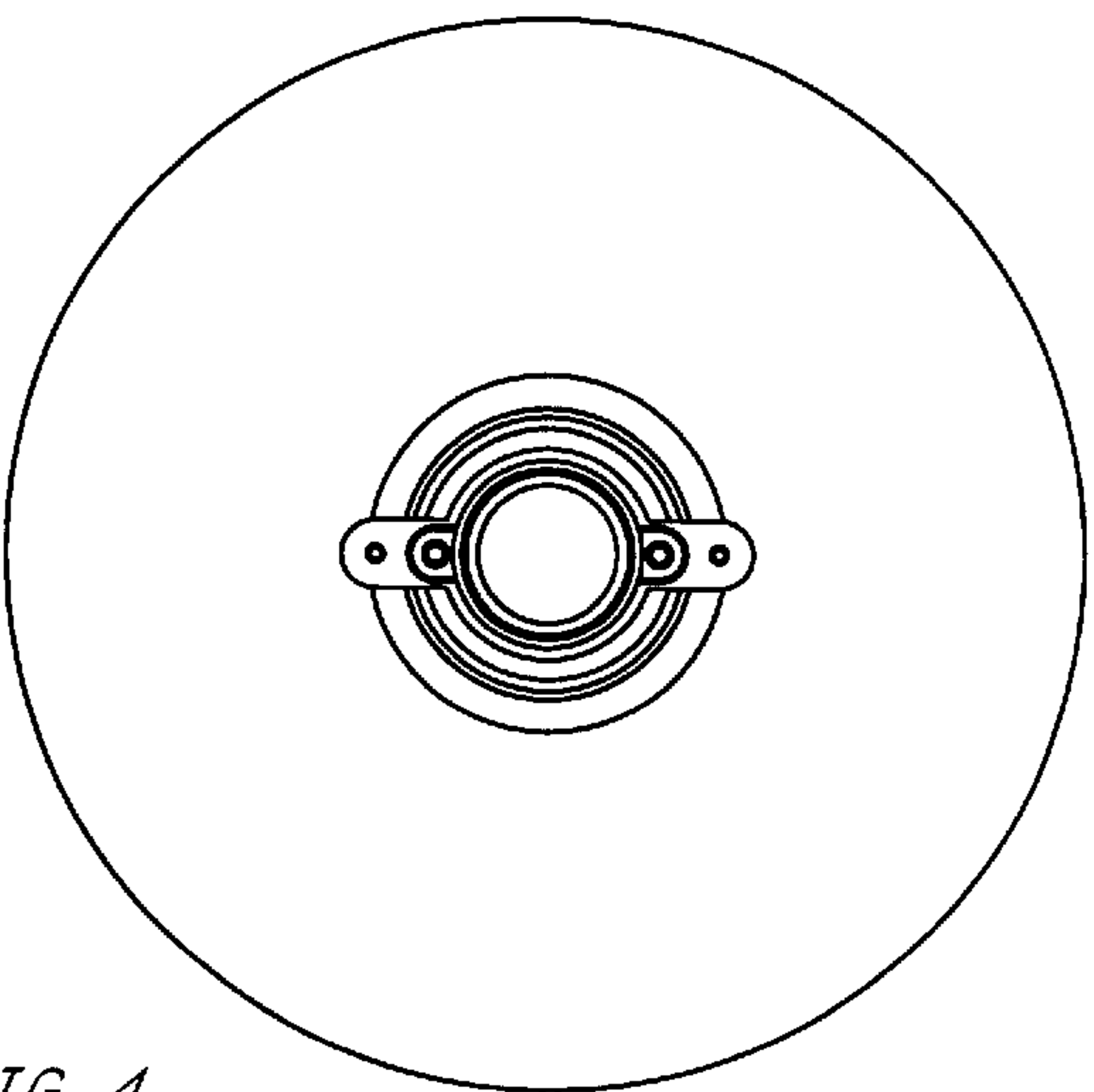


FIG. 4

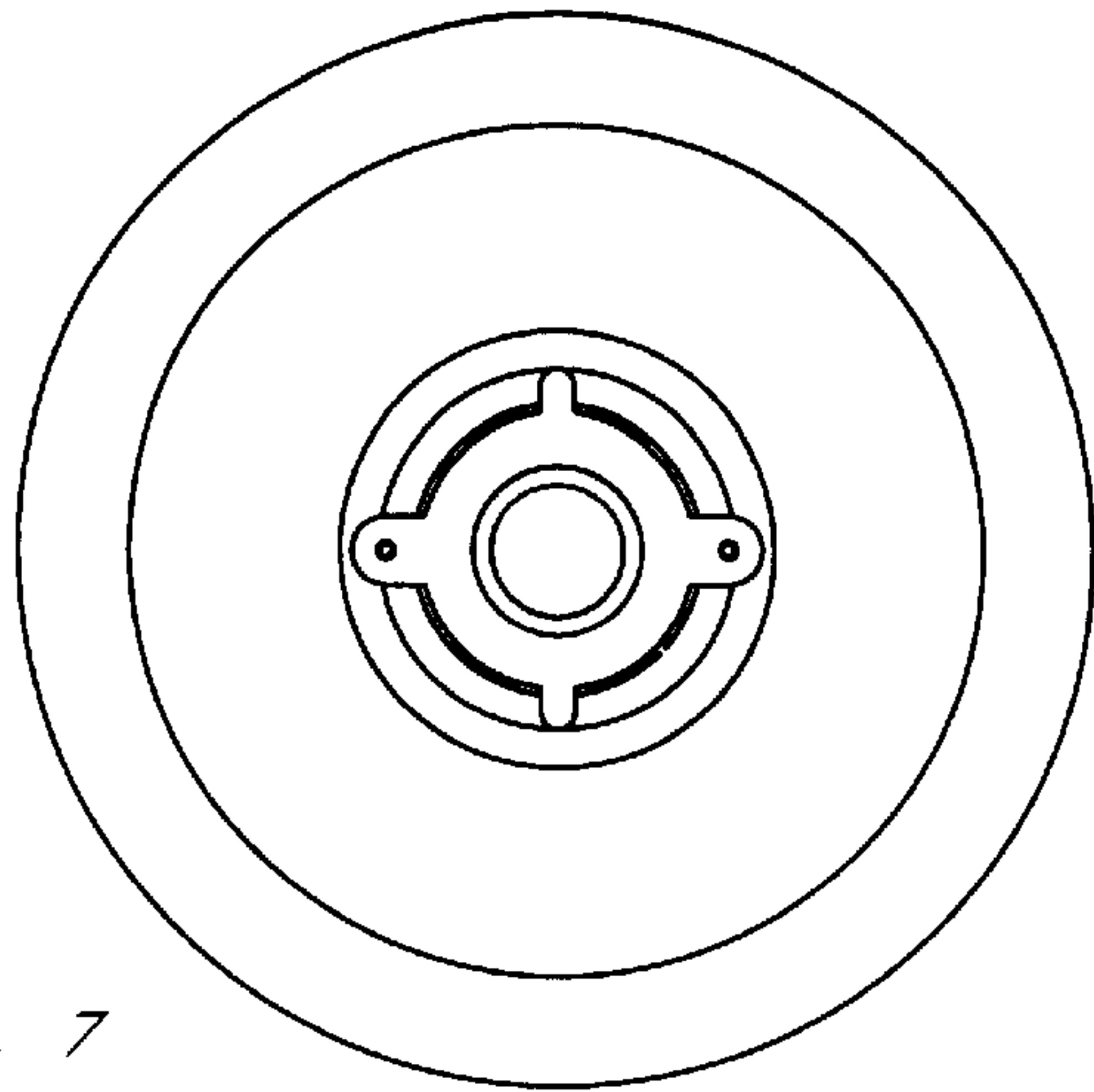


FIG. 7

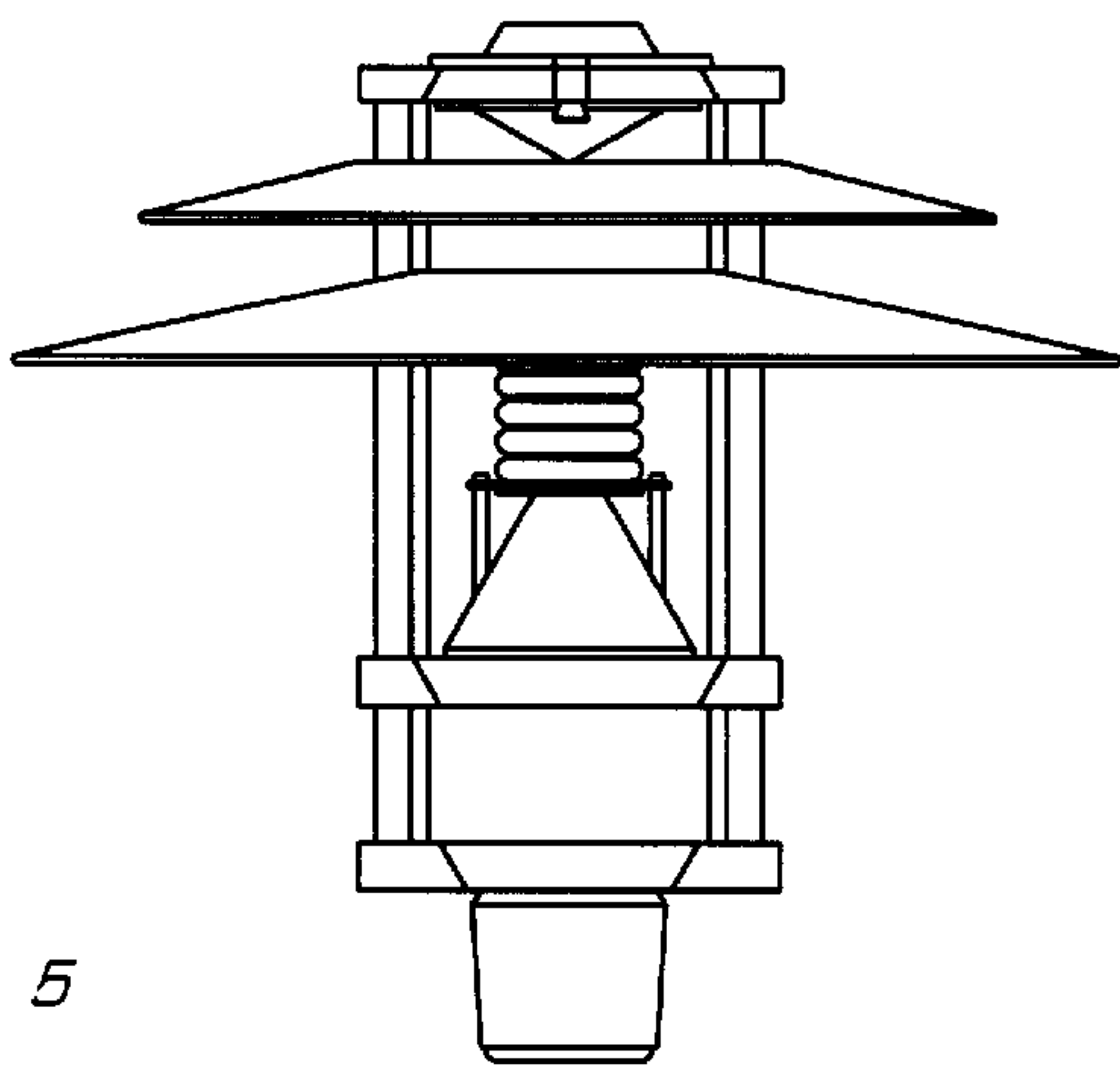


FIG. 5

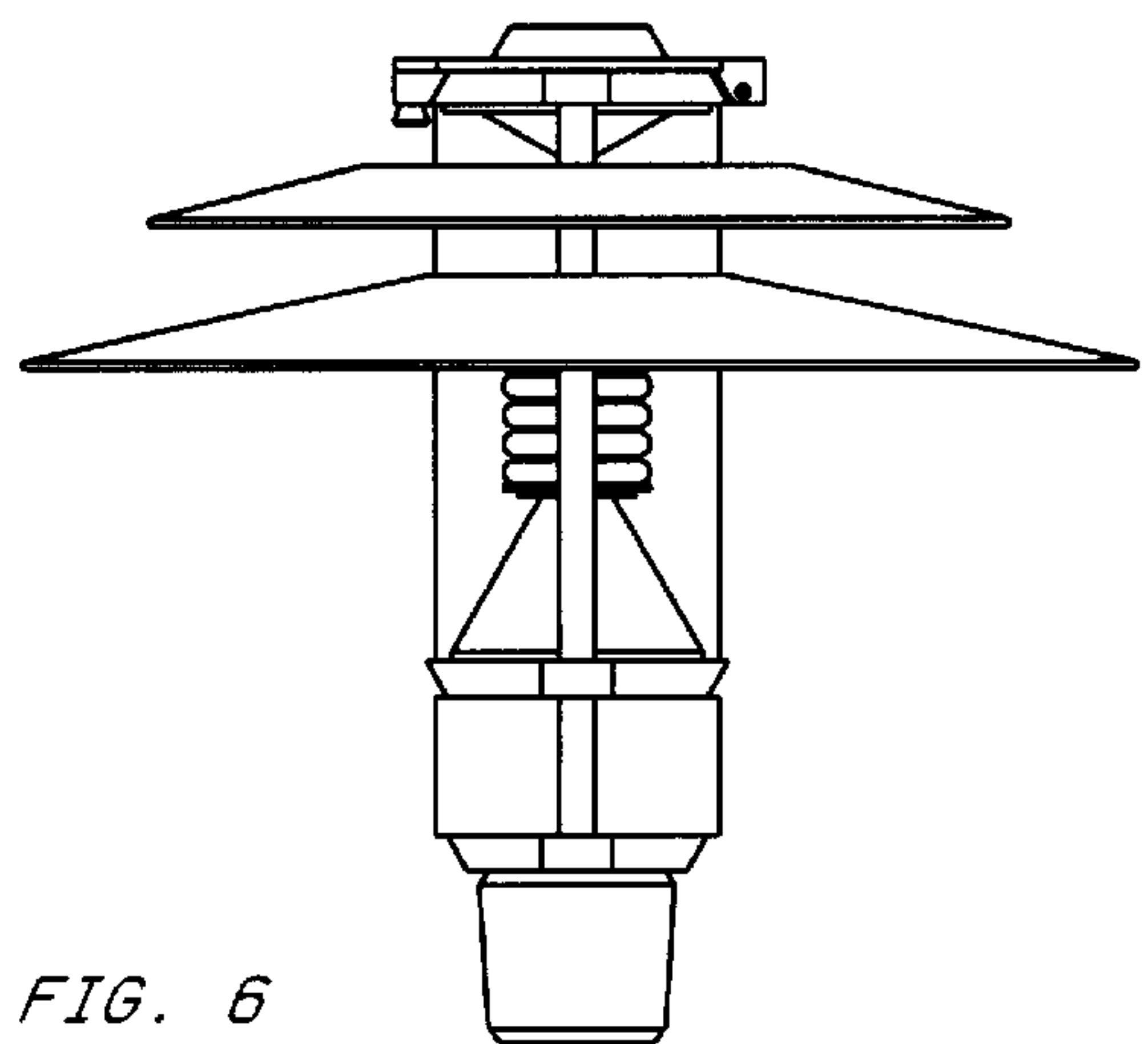


FIG. 6

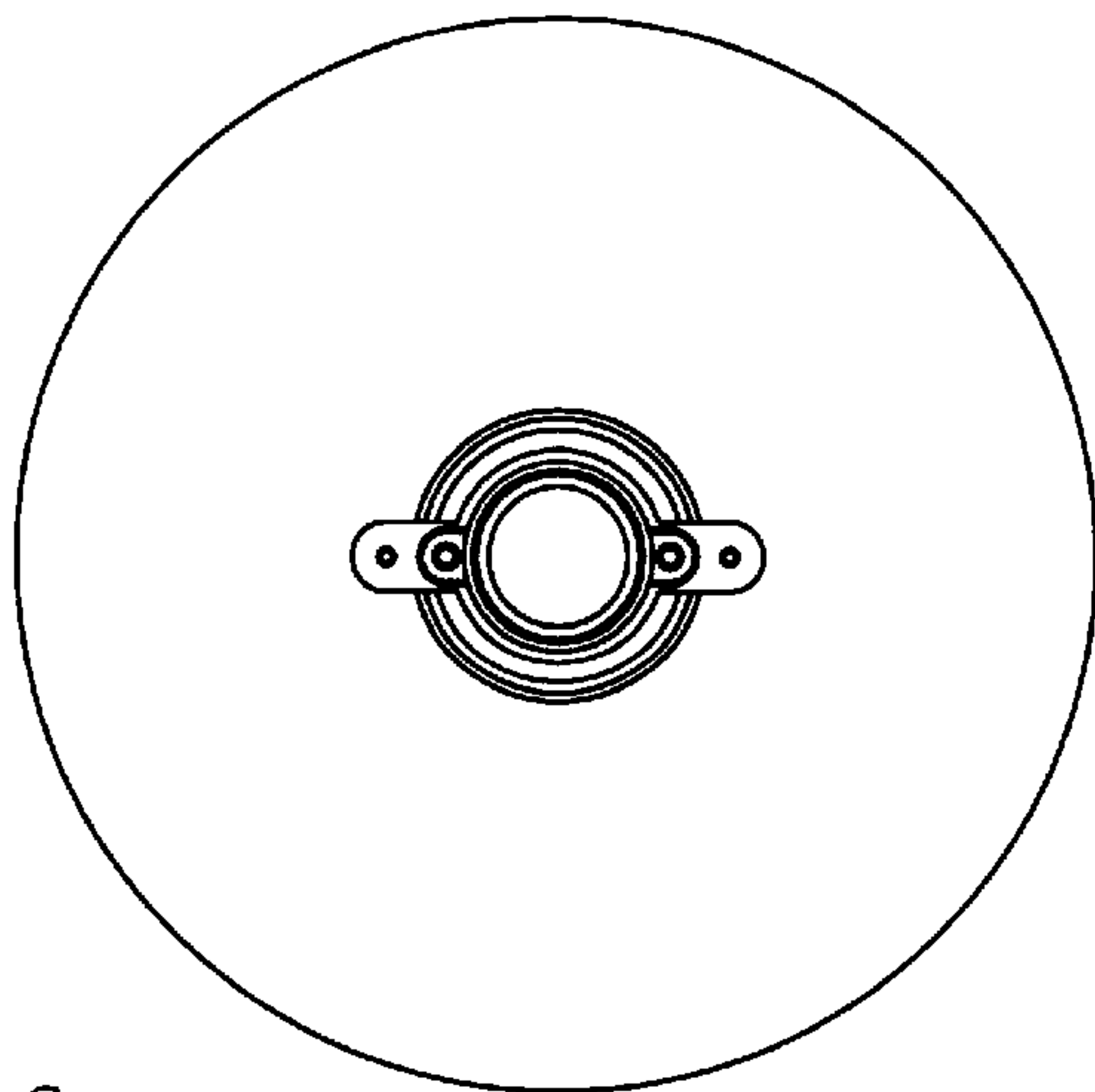


FIG. 8