



US00D427348S

United States Patent [19]
Huang

[11] **Patent Number: Des. 427,348**

[45] **Date of Patent: ** Jun. 27, 2000**

[54] **DESK LAMP**

[76] Inventor: **Huo-Tu Huang**, No.9, Lane 37 9,
Chung-Hwa Rd., Sun-Lin, Taipei,
Taiwan

[**] Term: **14 Years**

[21] Appl. No.: **29/114,600**

[22] Filed: **Nov. 30, 1999**

[51] **LOC (7) Cl.** **26-05**

[52] **U.S. Cl.** **D26/63**

[58] **Field of Search** D26/60-66; 362/413,
362/418, 419, 427, 269, 271, 274, 275,
277, 282, 283, 285, 287, 396, 401

[56] **References Cited**

U.S. PATENT DOCUMENTS

D. 291,351 8/1987 Zeller D26/60

OTHER PUBLICATIONS

Brilliant lighting catalog, 1984/85, p. 18, light fixture #108
46.

Primary Examiner—Susan J. Lucas
Attorney, Agent, or Firm—Bacon & Thomas

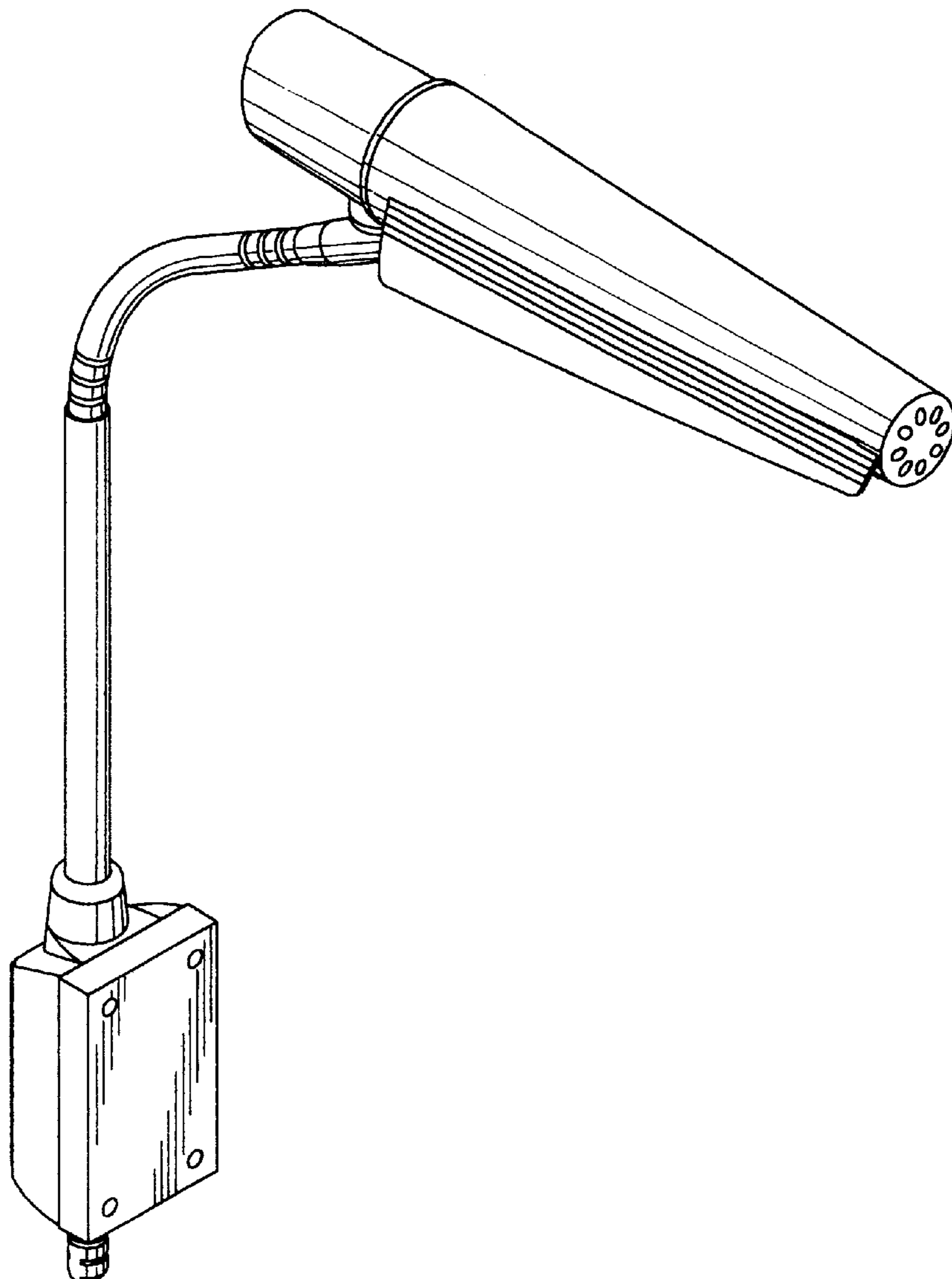
[57] **CLAIM**

The ornamental design for desk lamp, as shown and
described.

DESCRIPTION

FIG. 1 is a top, front right side perspective view thereof;
FIG. 2 is a front elevational view thereof;
FIG. 3 is a rear elevational view thereof;
FIG. 4 is a left elevational view thereof;
FIG. 5 is a right elevational view thereof;
FIG. 6 is a top plan view thereof; and,
FIG. 7 is a bottom plan view thereof.

1 Claim, 5 Drawing Sheets



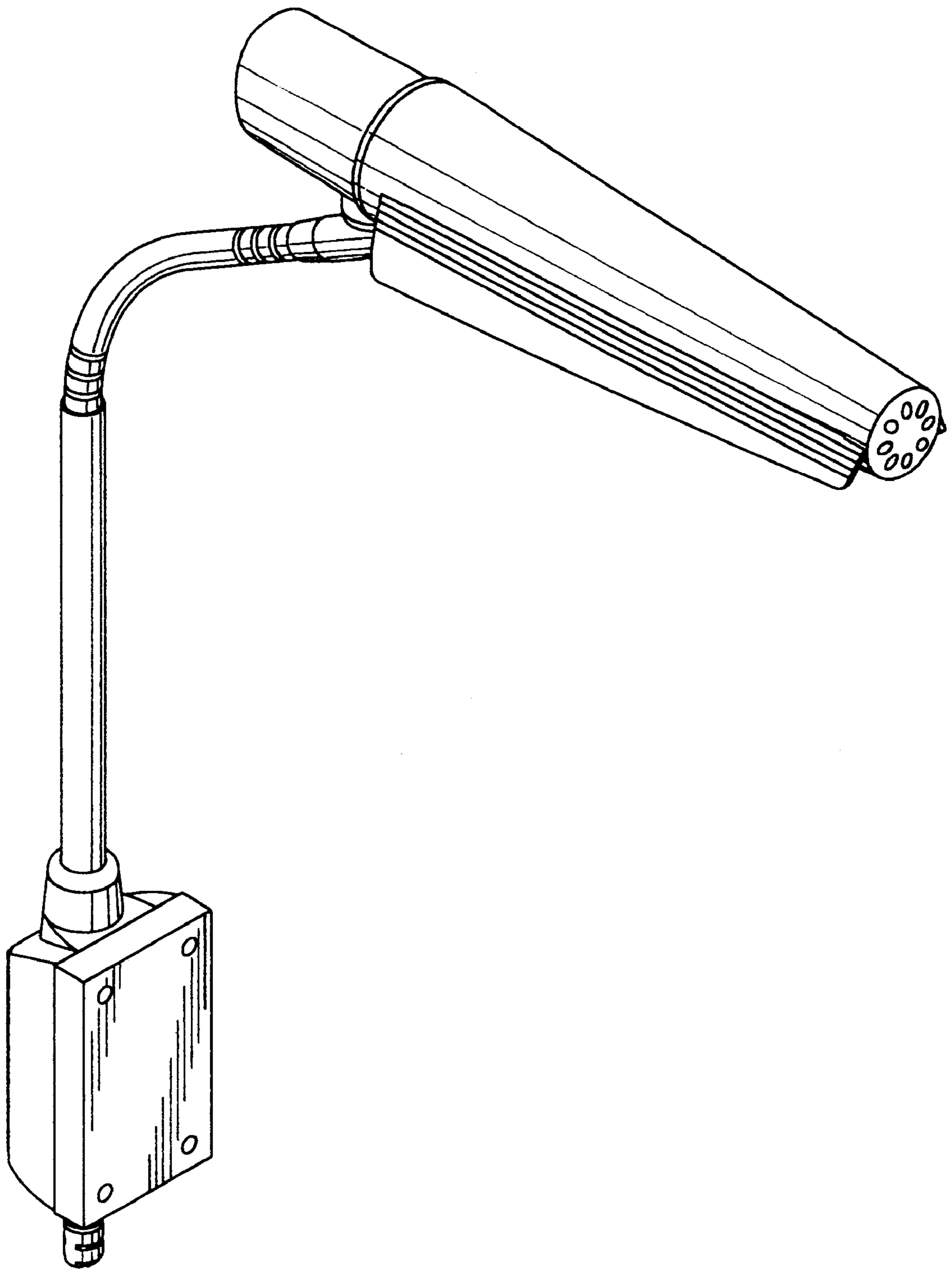


FIG. 1

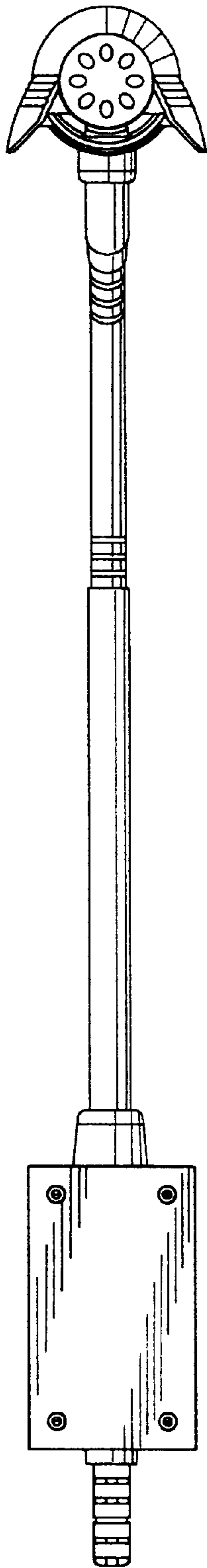


FIG. 2

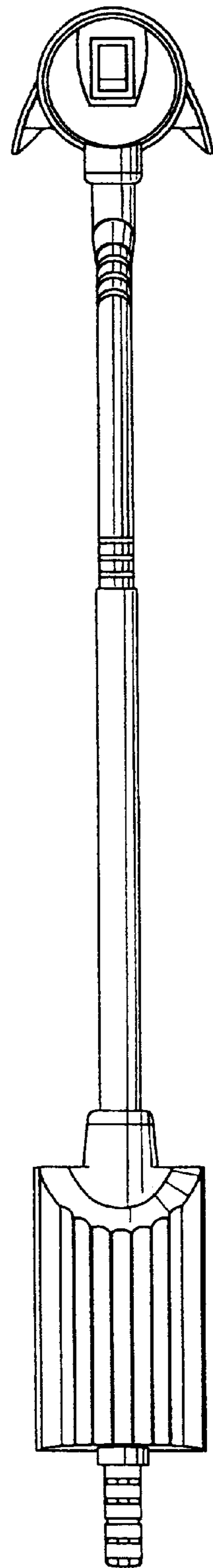


FIG. 3

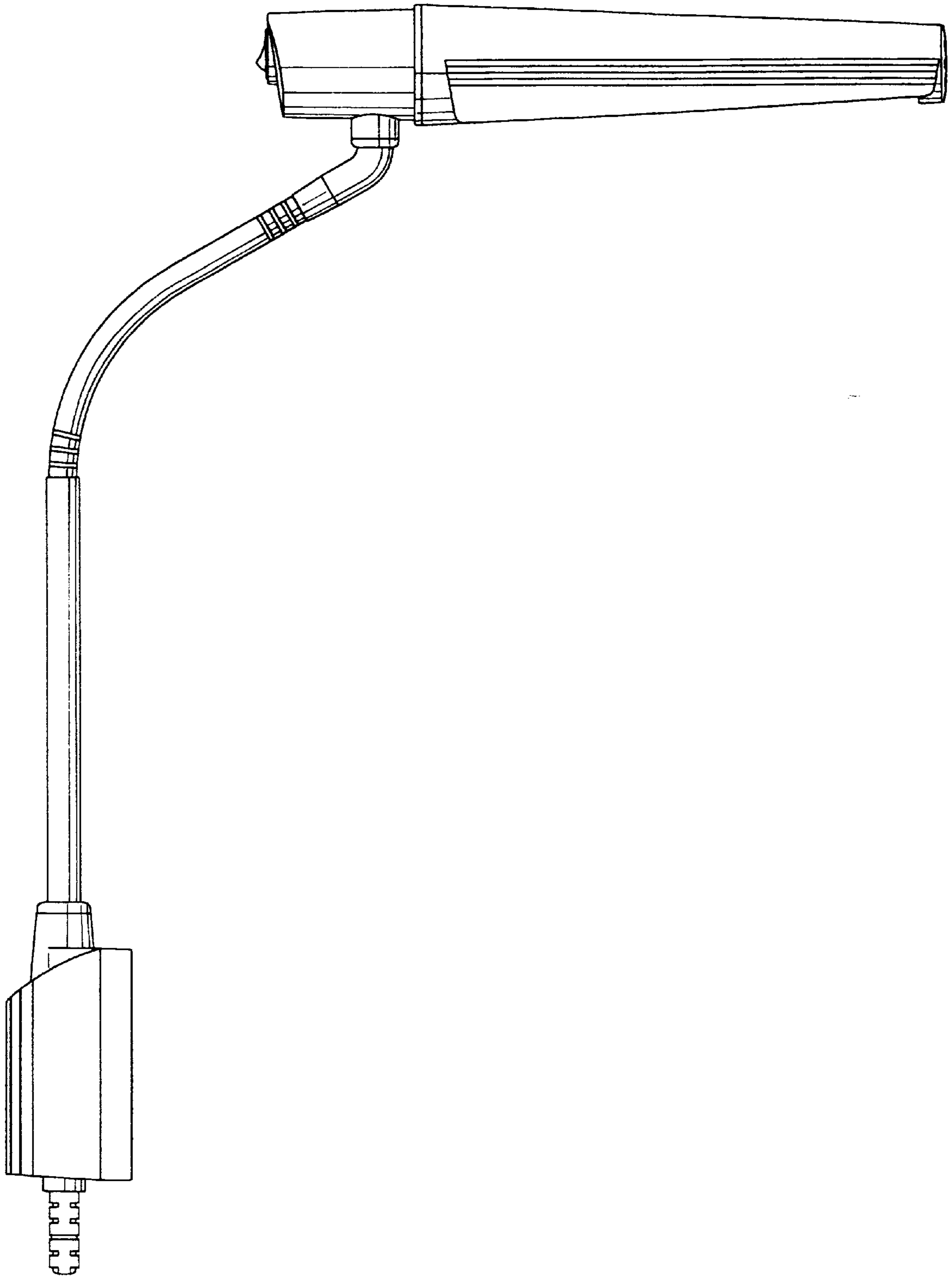


FIG. 4

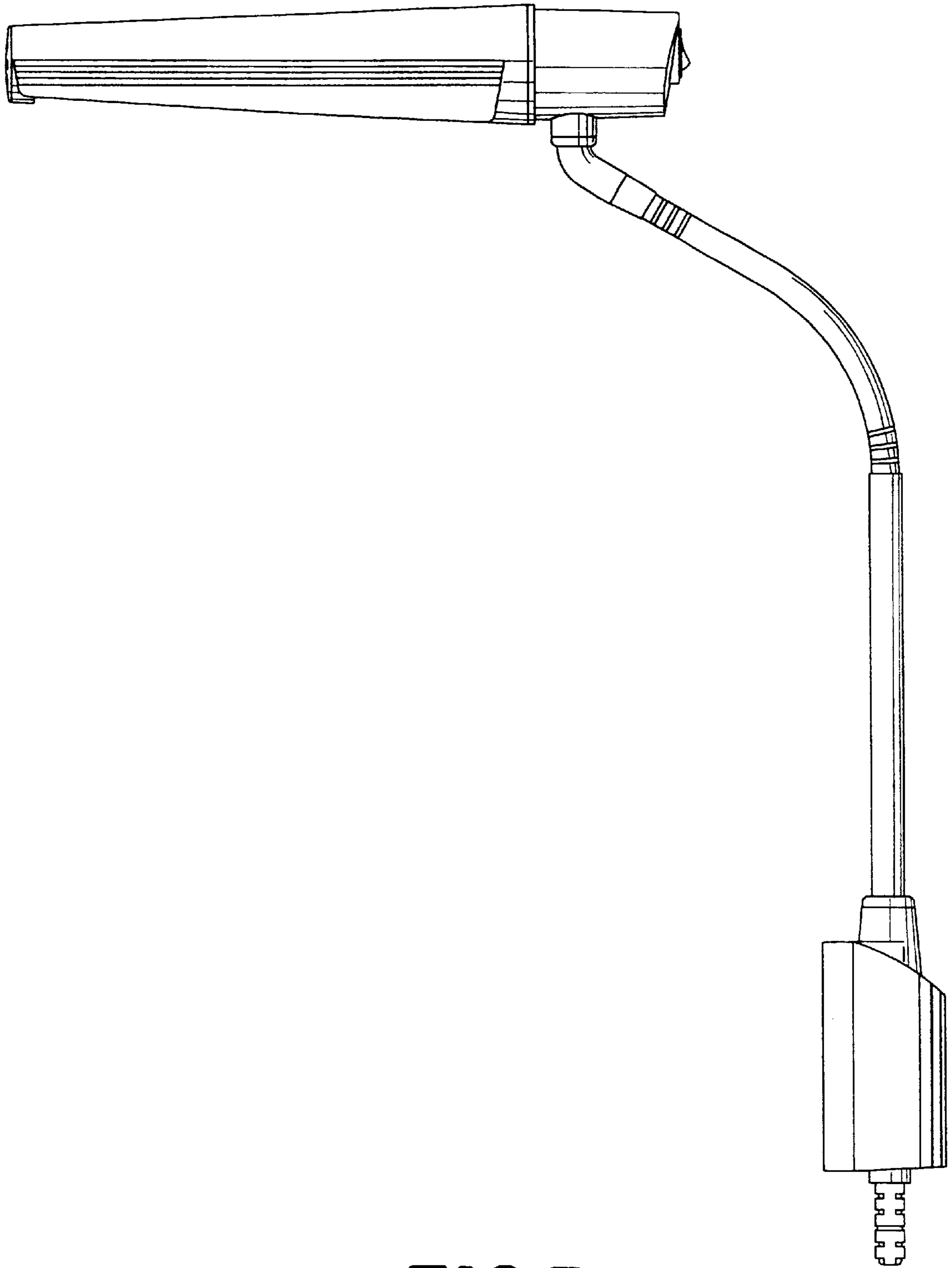


FIG.5

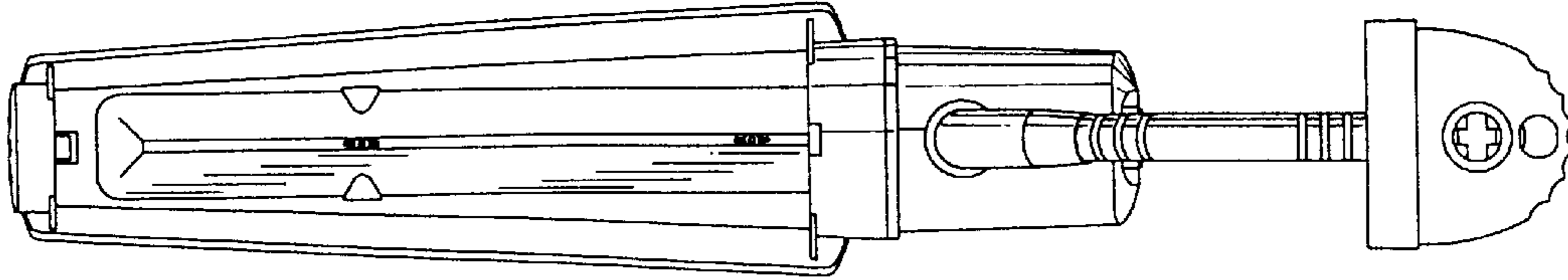


FIG. 7

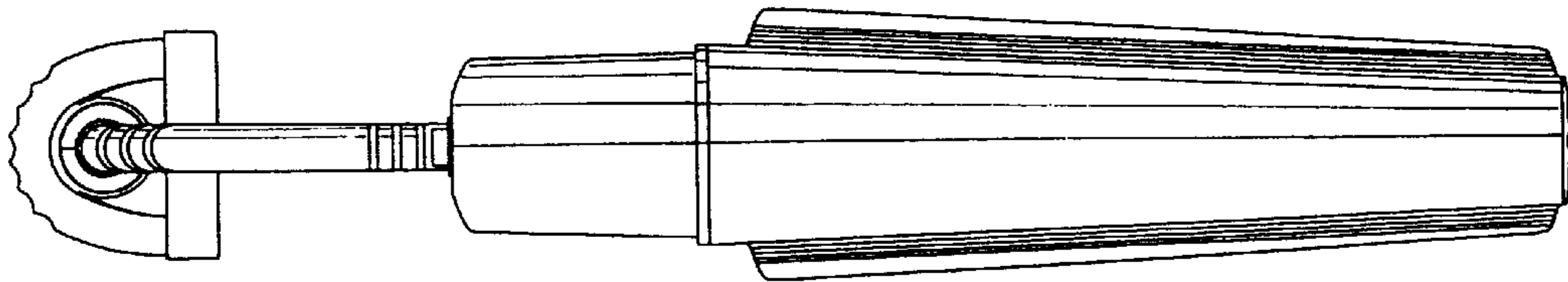


FIG. 6