



US00D427347S

United States Patent [19]

Sharrah et al.

[11] Patent Number: **Des. 427,347**

[45] Date of Patent: **** Jun. 27, 2000**

[54] FLASHLIGHT

[75] Inventors: **Raymond L. Sharrah**, Collegeville;
Peter John Ziegenfuss, Borough of Sellersville, both of Pa.

[73] Assignee: **Streamlight, Inc.**, Norristown, Pa.

[**] Term: **14 Years**

[21] Appl. No.: **29/113,439**

[22] Filed: **Nov. 4, 1999**

[51] LOC (7) Cl. **26-02**

[52] U.S. Cl. **D26/49**

[58] Field of Search D26/37-50; 362/157,
362/158, 183-208

[56] References Cited

U.S. PATENT DOCUMENTS

D. 408,090 4/1999 Monteleone et al. D26/49

Primary Examiner—Marcus A. Jackson
Attorney, Agent, or Firm—Dann, Dorfman, Herrell and Skillman, P.C.

[57] CLAIM

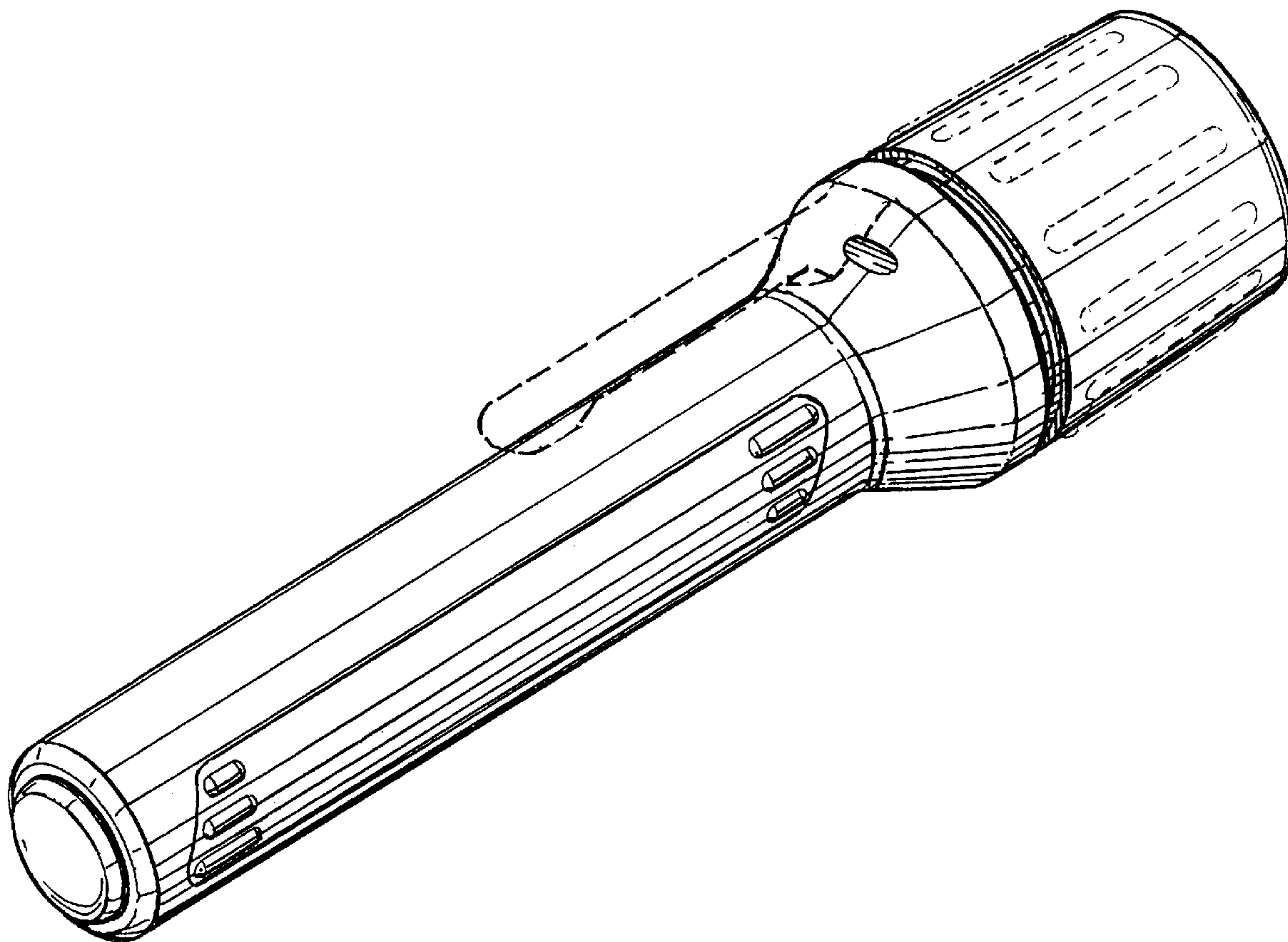
The ornamental design for a flashlight, as shown and described.

DESCRIPTION

FIG. 1 is a perspective view of a flashlight design according to the present invention;
FIG. 2 is a side view of the flashlight of FIG. 1;
FIG. 3 is a top view of the flashlight of FIG. 1;
FIG. 4 is a bottom view of the flashlight of FIG. 1;
FIG. 5 is an end view of a rear end of the flashlight of FIG. 1;
FIG. 6 is an end view of a front end of the flashlight of FIG. 1;
FIG. 7 is a perspective view of a flashlight design according to the present invention;
FIG. 8 is a side view of the flashlight of FIG. 7;
FIG. 9 is a top view of the flashlight of FIG. 7;
FIG. 10 is a bottom view of the flashlight of FIG. 7;
FIG. 11 is an end view of a rear end of the flashlight of FIG. 7; and,
FIG. 12 is an end view of a front end of the flashlight of FIG. 7.

Broken lines in the illustration of FIGS. 1-12 of the drawing indicate parts of the article that are not part of the design sought to be patented.

1 Claim, 12 Drawing Sheets



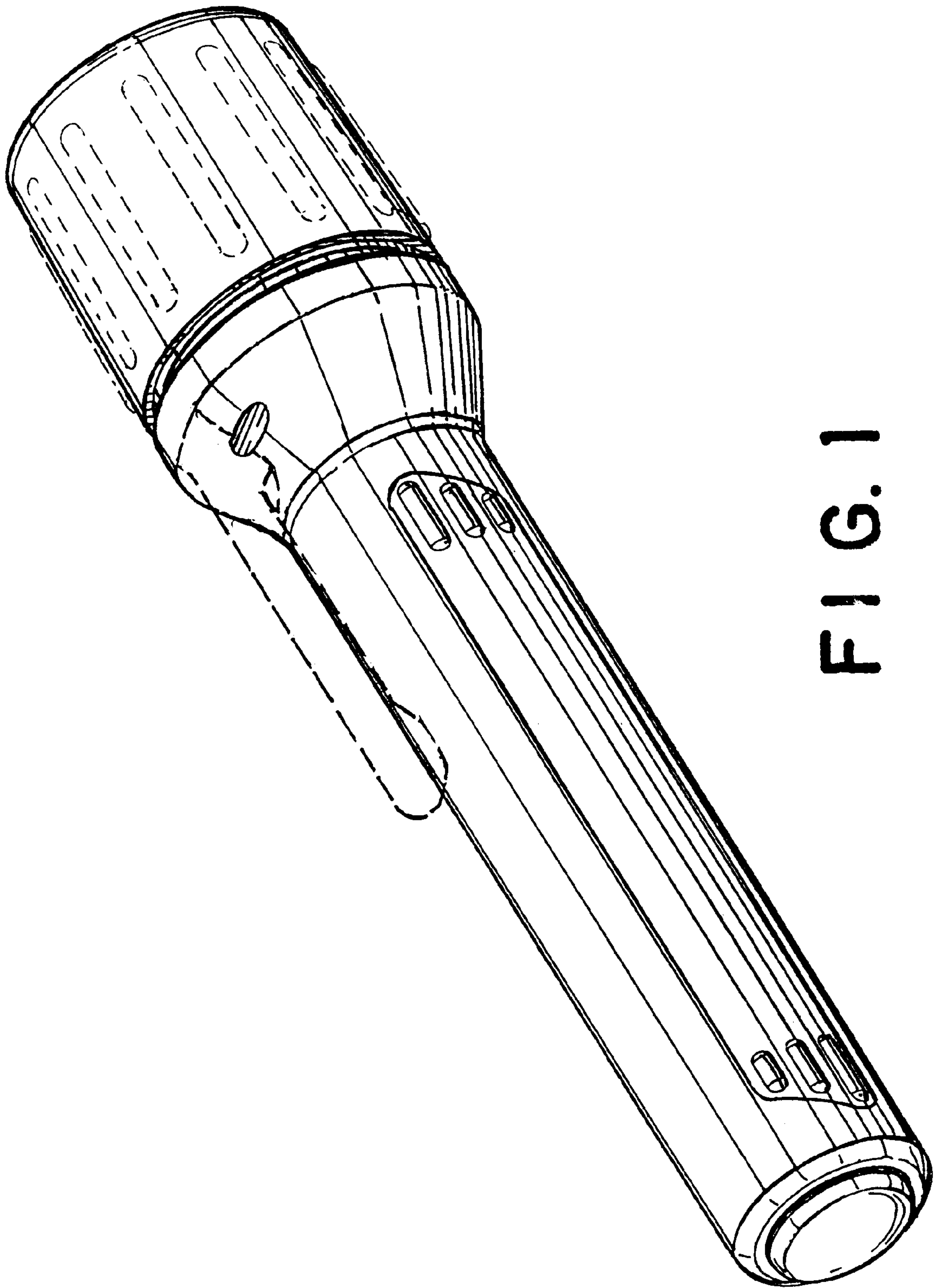


FIG. 1

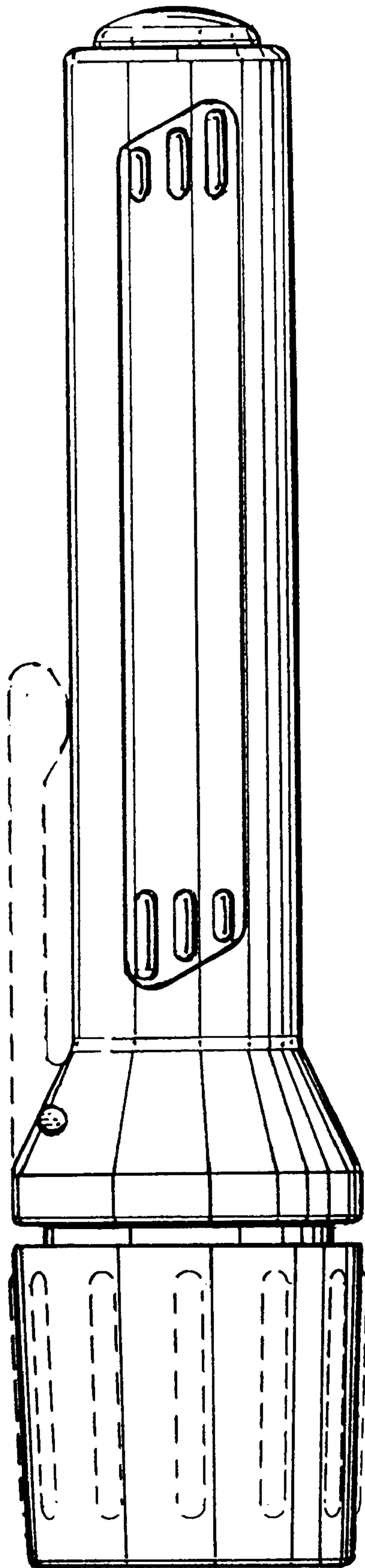


FIG. 2

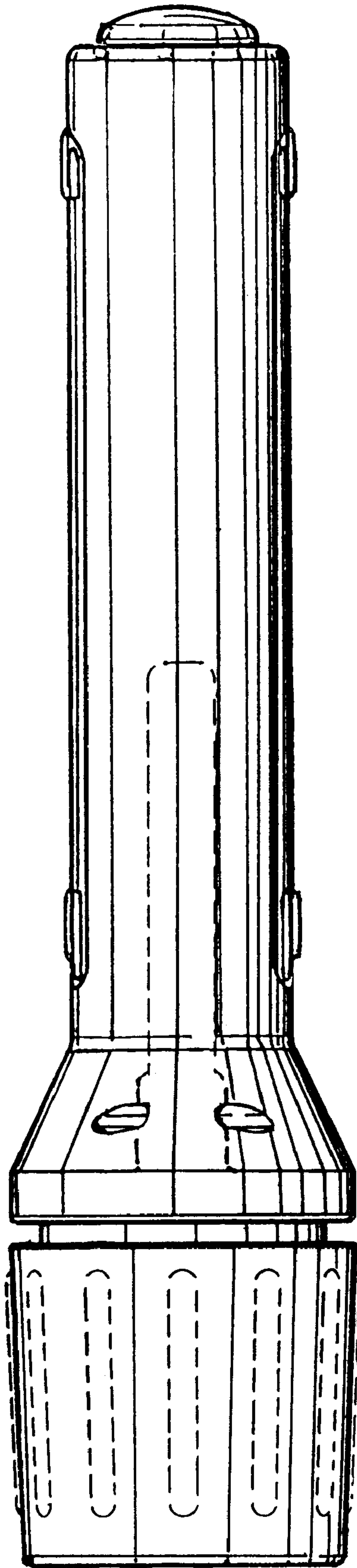


FIG. 3

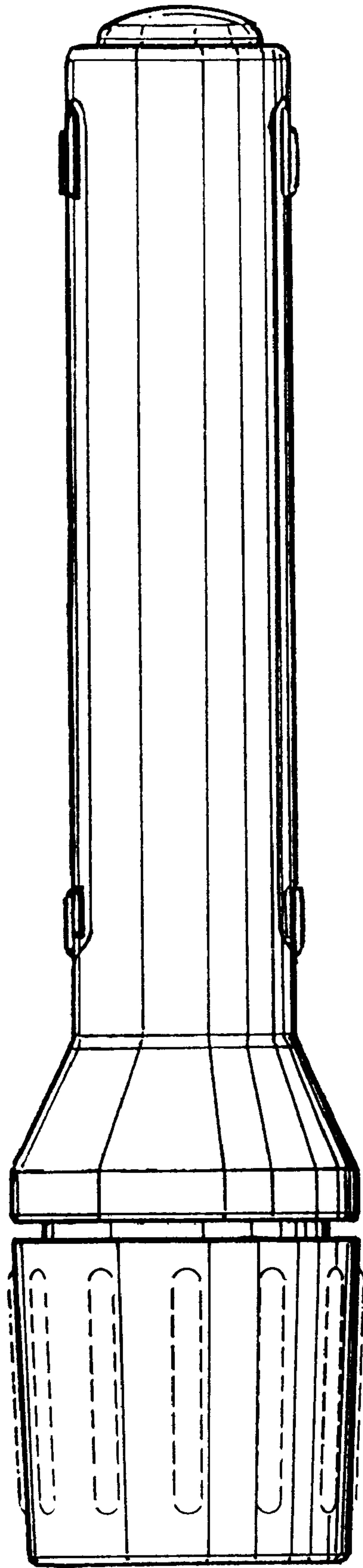


FIG. 4

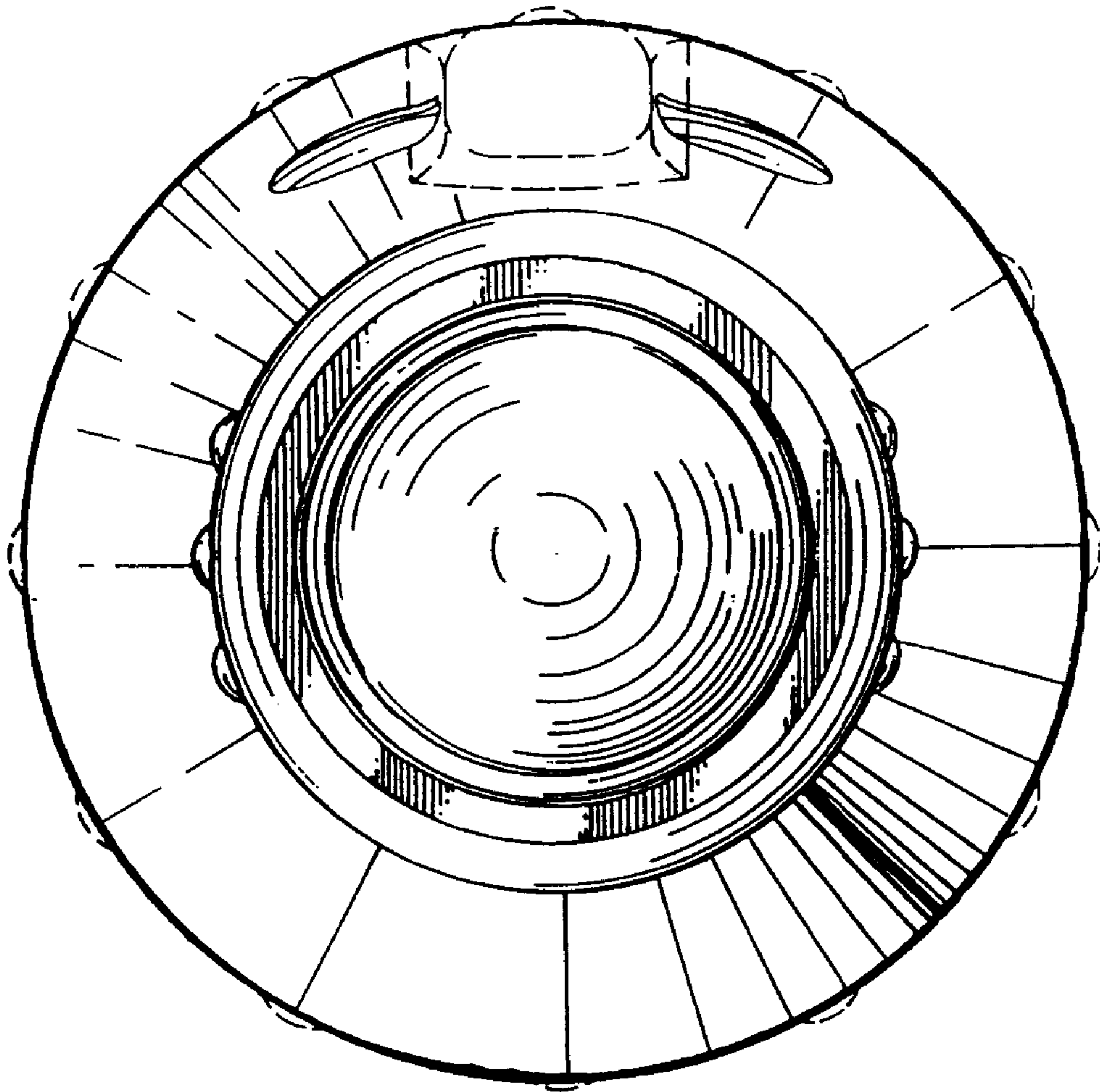


FIG. 5

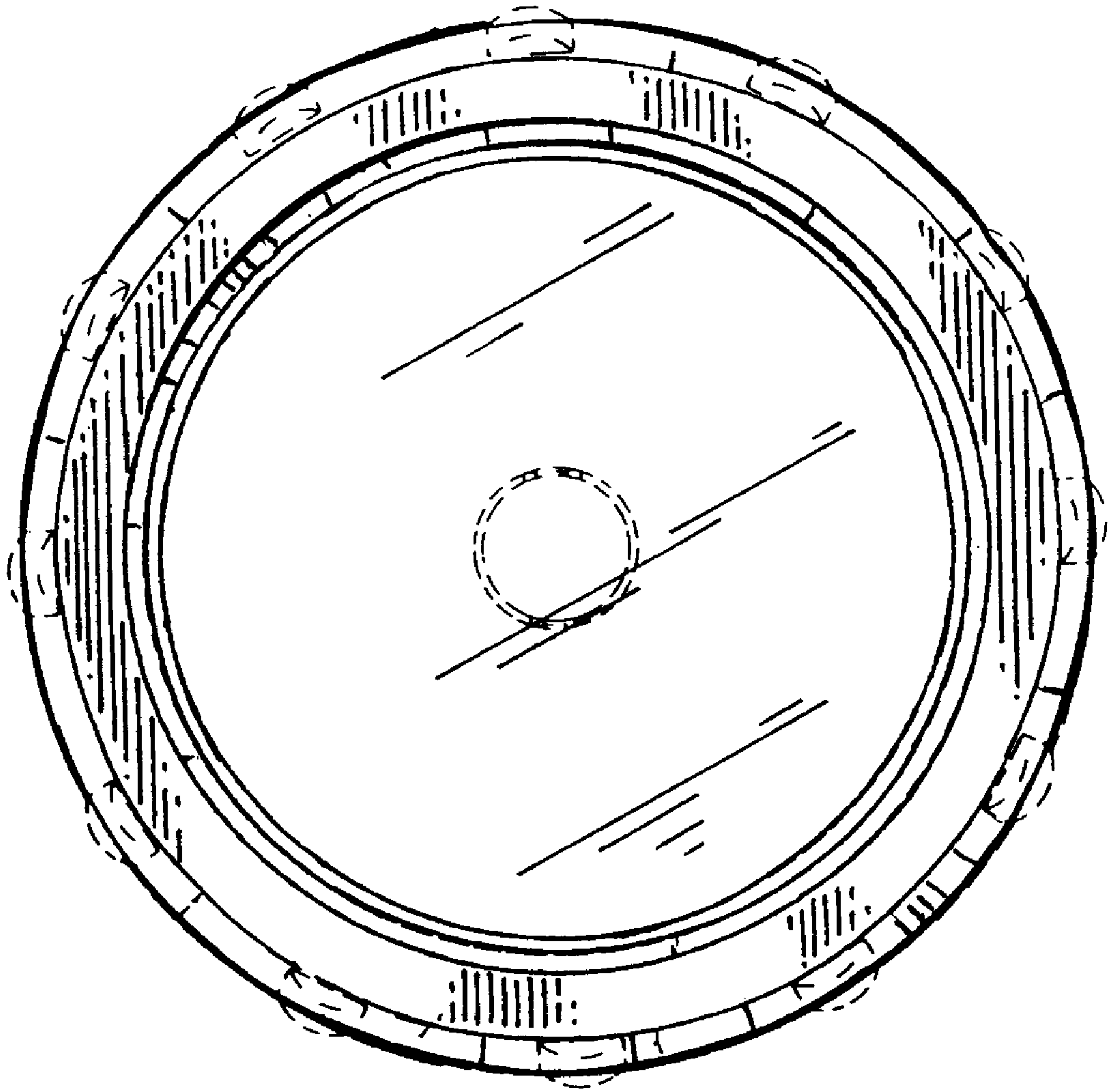


FIG. 6

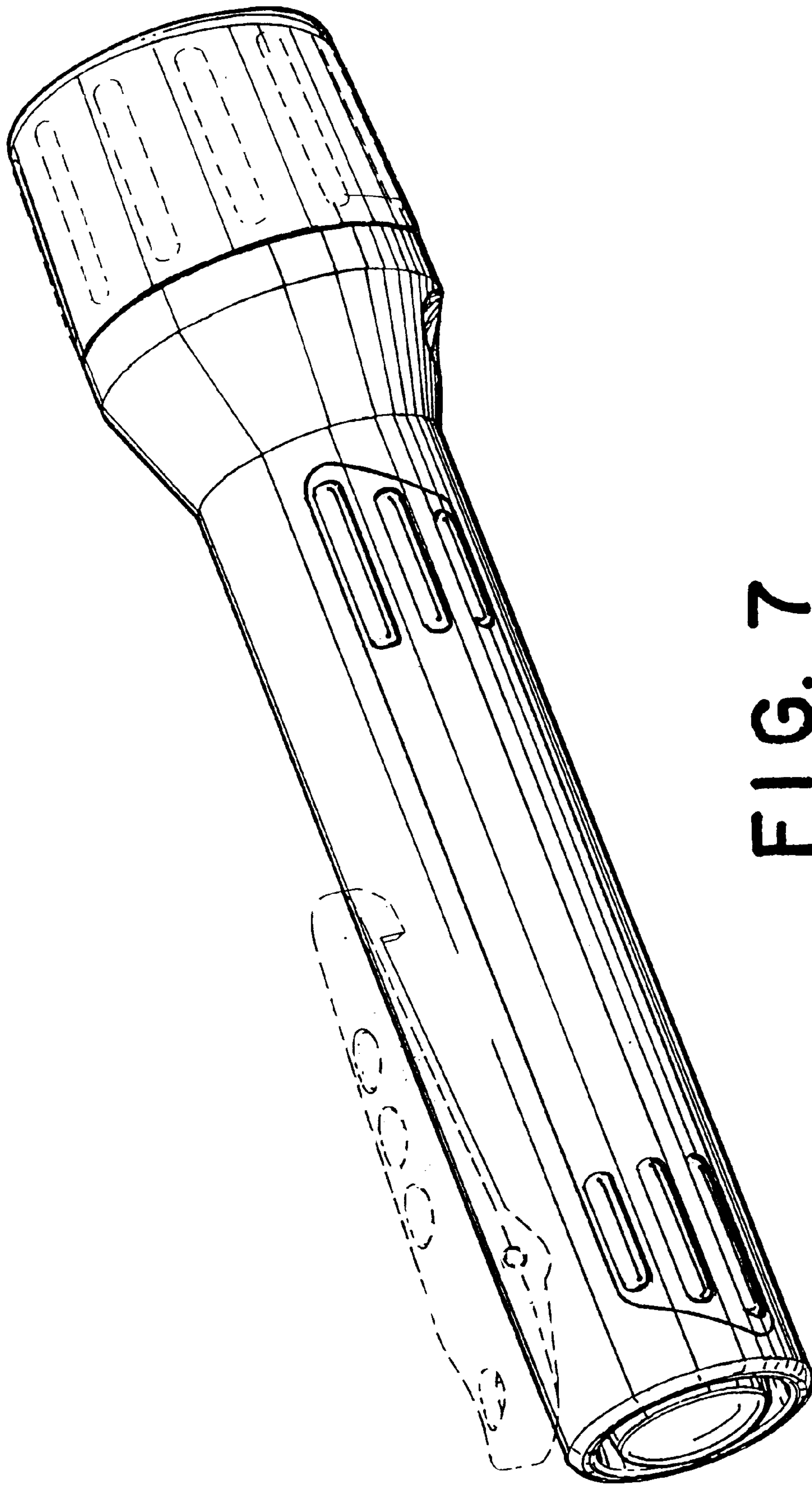


FIG. 7

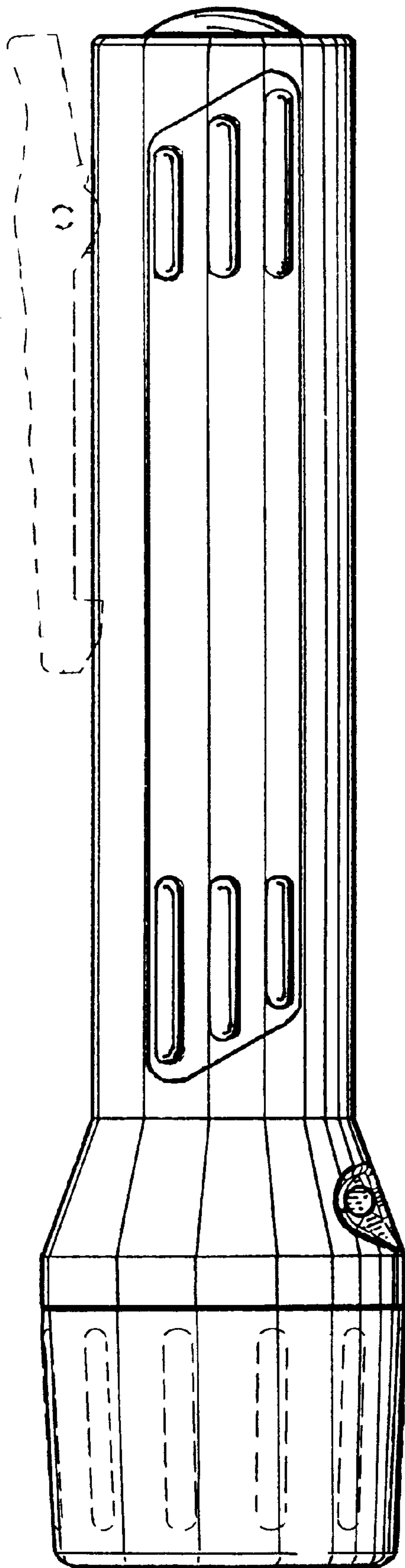


FIG. 8

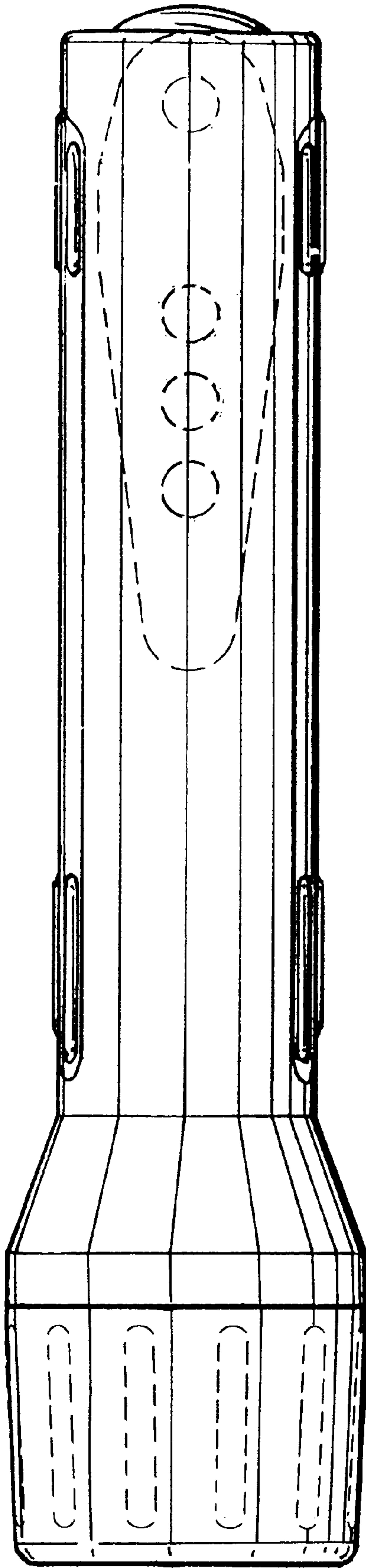


FIG. 9

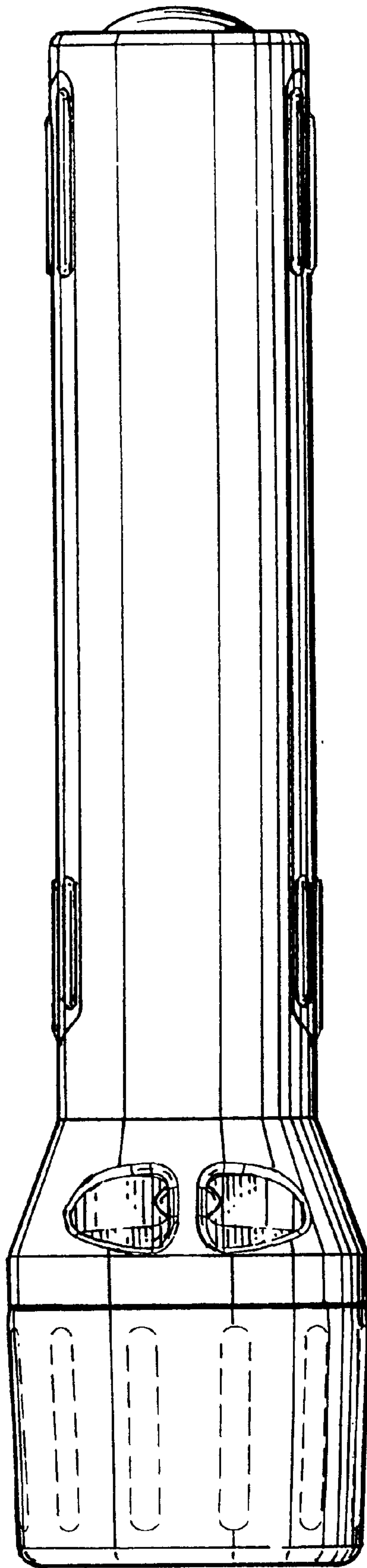


FIG. 10

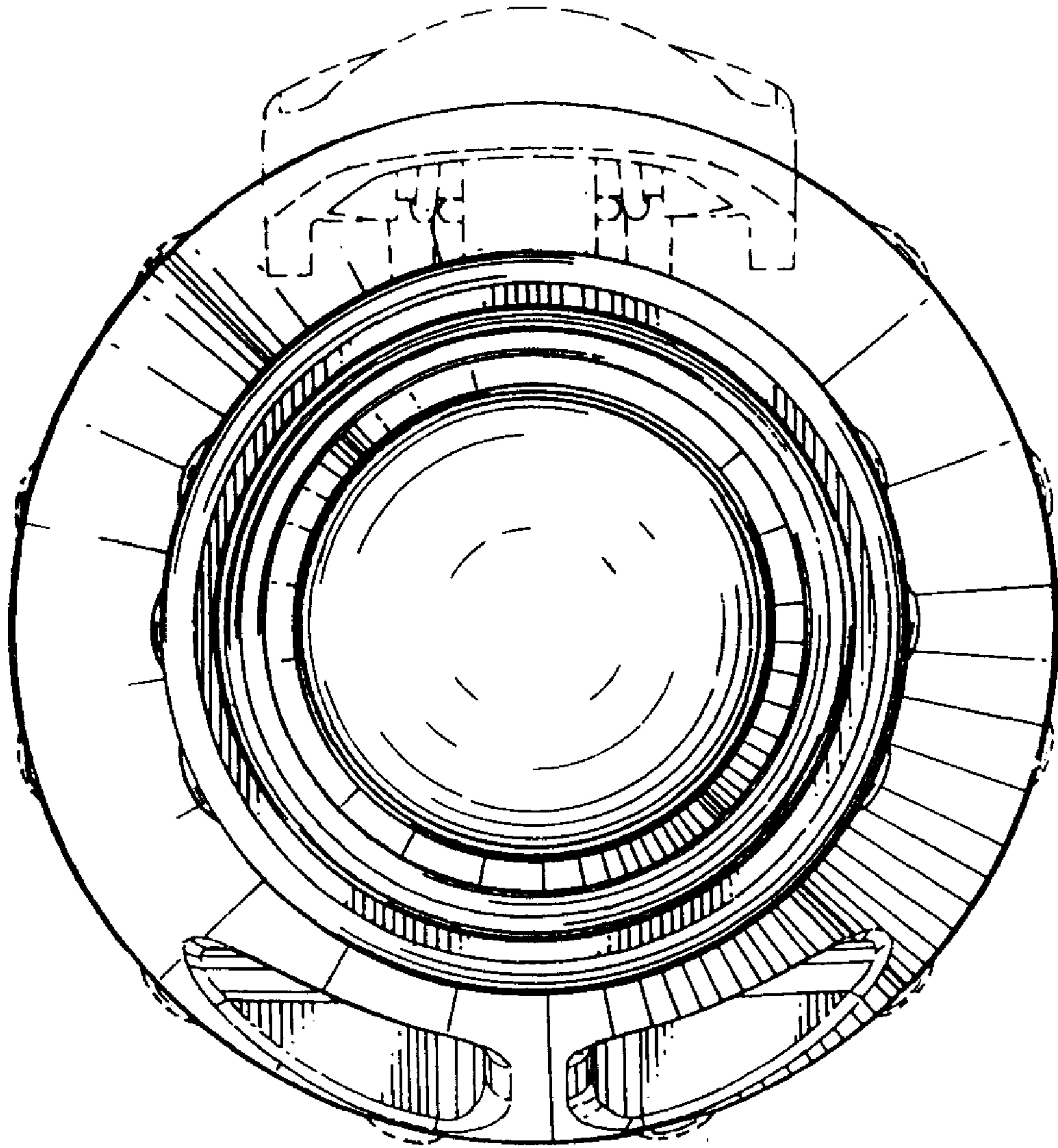


FIG. 11

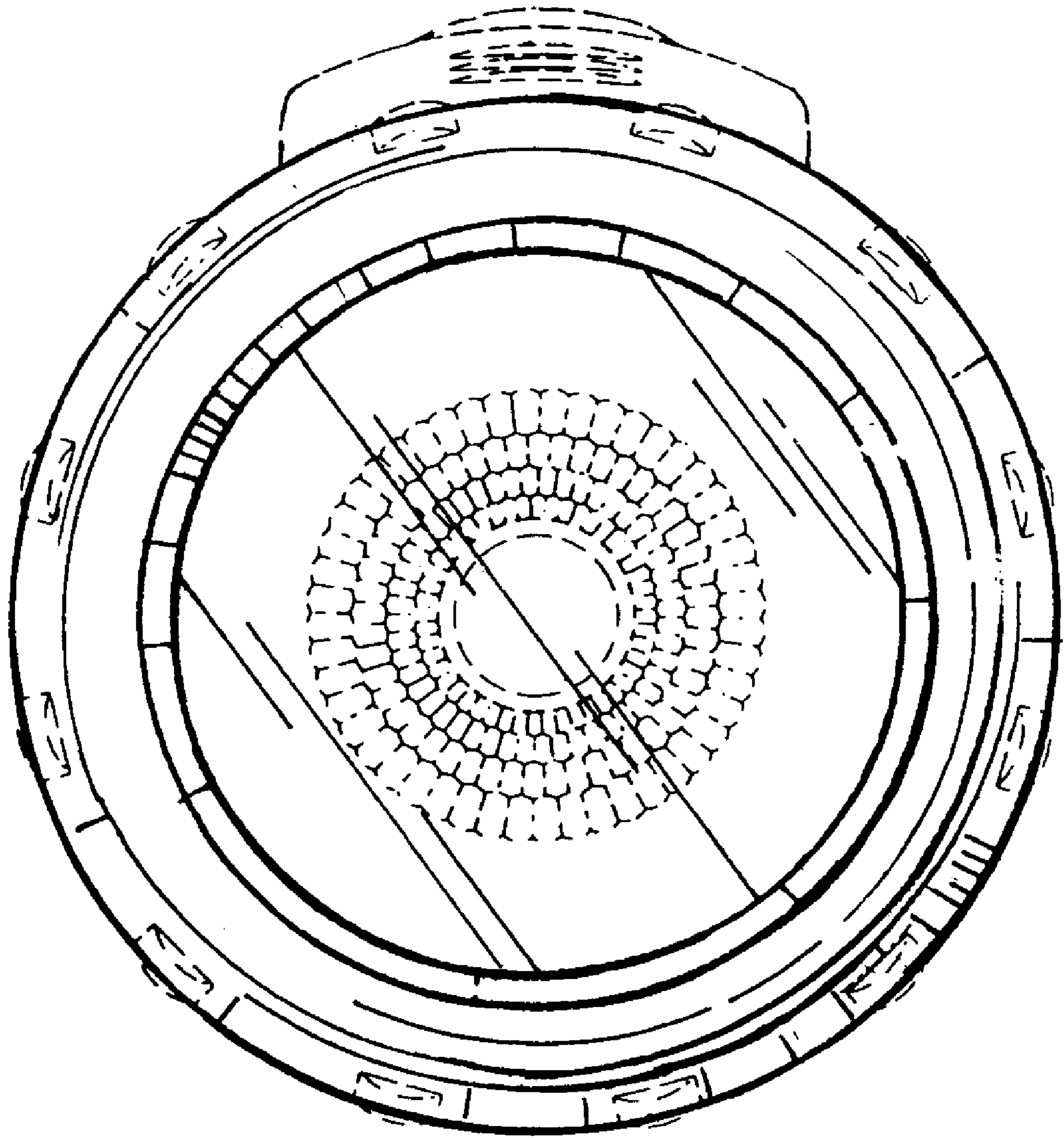


FIG. 12