



US00D427345S

United States Patent [19]

Yuen

[11] Patent Number: **Des. 427,345**

[45] Date of Patent: **** Jun. 27, 2000**

[54] **TOOL KIT LANTERN**

[75] Inventor: **John Se-Kit Yuen**, Kowloon, The Hong Kong Special Administrative Region of the People's Republic of China

[73] Assignee: **John Manufacturing Limited**, Kowloon, The Hong Kong Special Administrative Region of the People's Republic of China

[**] Term: **14 Years**

[21] Appl. No.: **29/111,879**

[22] Filed: **Oct. 7, 1999**

[30] **Foreign Application Priority Data**

Apr. 9, 1999 [GB] United Kingdom 2082560

[51] **LOC (7) Cl.** **26-02**

[52] **U.S. Cl.** **D26/38**

[58] **Field of Search** D26/37-50; 362/72, 362/83, 87, 157, 158, 183-208; D14/169, 168

[56] **References Cited**

U.S. PATENT DOCUMENTS

D. 384,202 9/1997 Gilmore D26/38

- D. 389,593 1/1998 Shiao D26/38
- D. 410,760 6/1999 Yao D26/38
- D. 412,371 7/1999 Yuen D26/38
- D. 414,285 9/1999 Chen D26/38
- D. 414,575 9/1999 Yuen D26/38

Primary Examiner—Marcus A. Jackson
Attorney, Agent, or Firm—Beall Law Offices

[57] **CLAIM**

The ornamental design for a “tool kit lantern”, as shown and described.

DESCRIPTION

FIG. 1 is a top plan elevational view of a tool kit lantern showing my new design;

FIG. 2 is a front elevational view thereof;

FIG. 3 is a bottom plan elevational view thereof;

FIG. 4 is a rear elevational thereof;

FIG. 5 is a left side elevational view thereof; and,

FIG. 6 is a right side elevational view thereof.

1 Claim, 2 Drawing Sheets

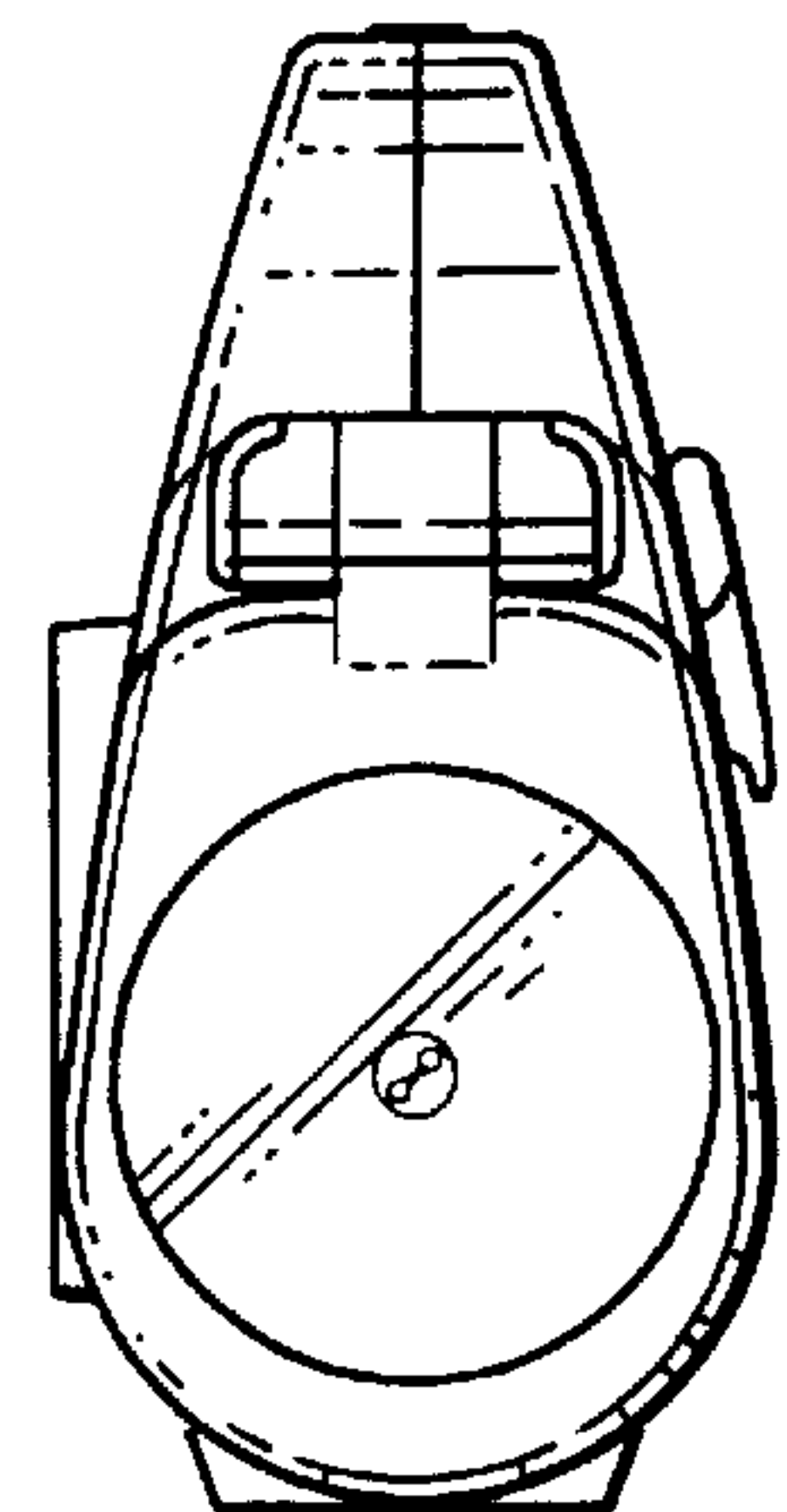
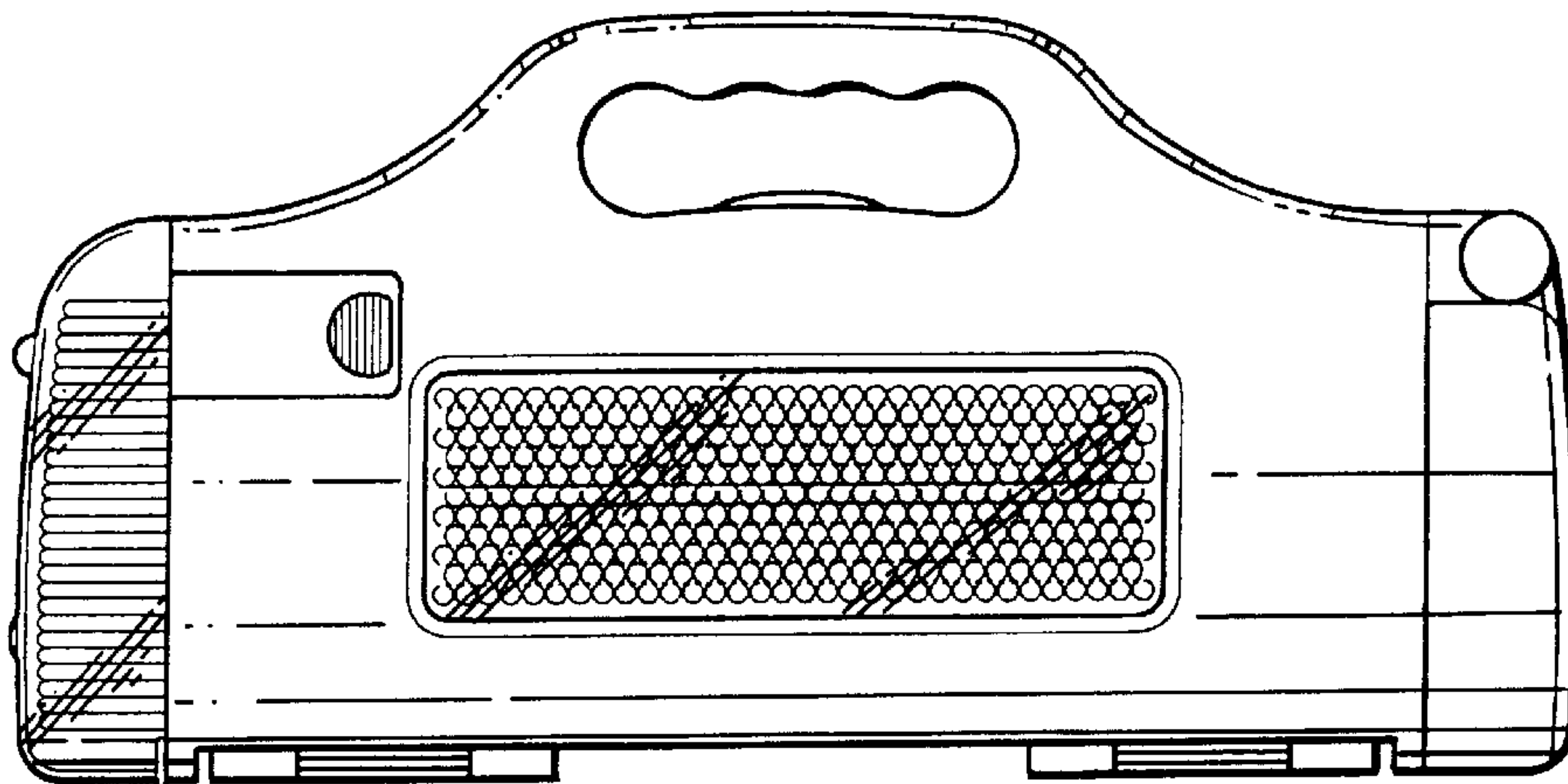


FIG .1

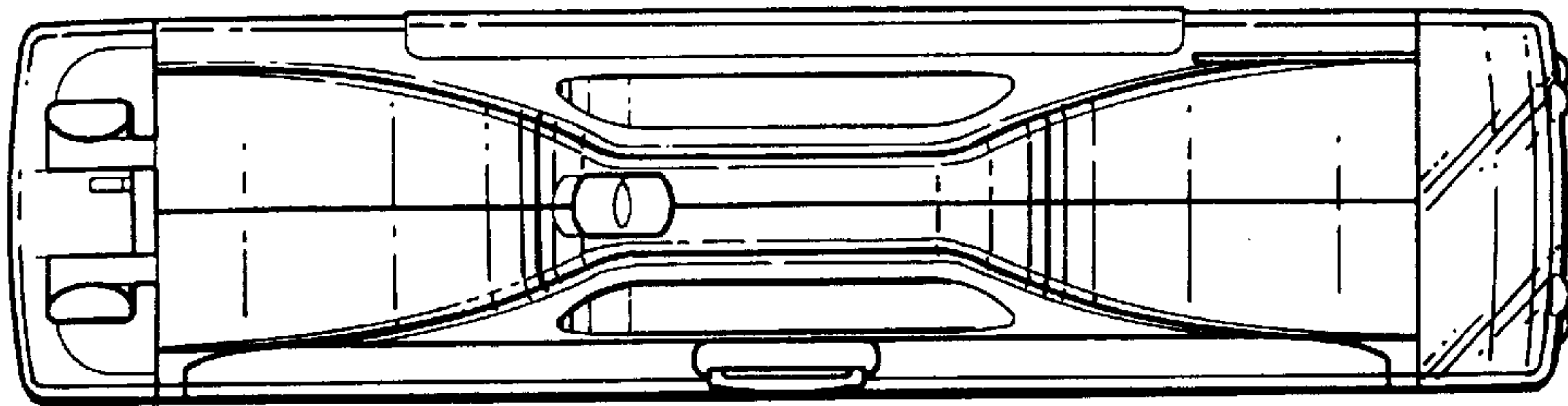


FIG .2

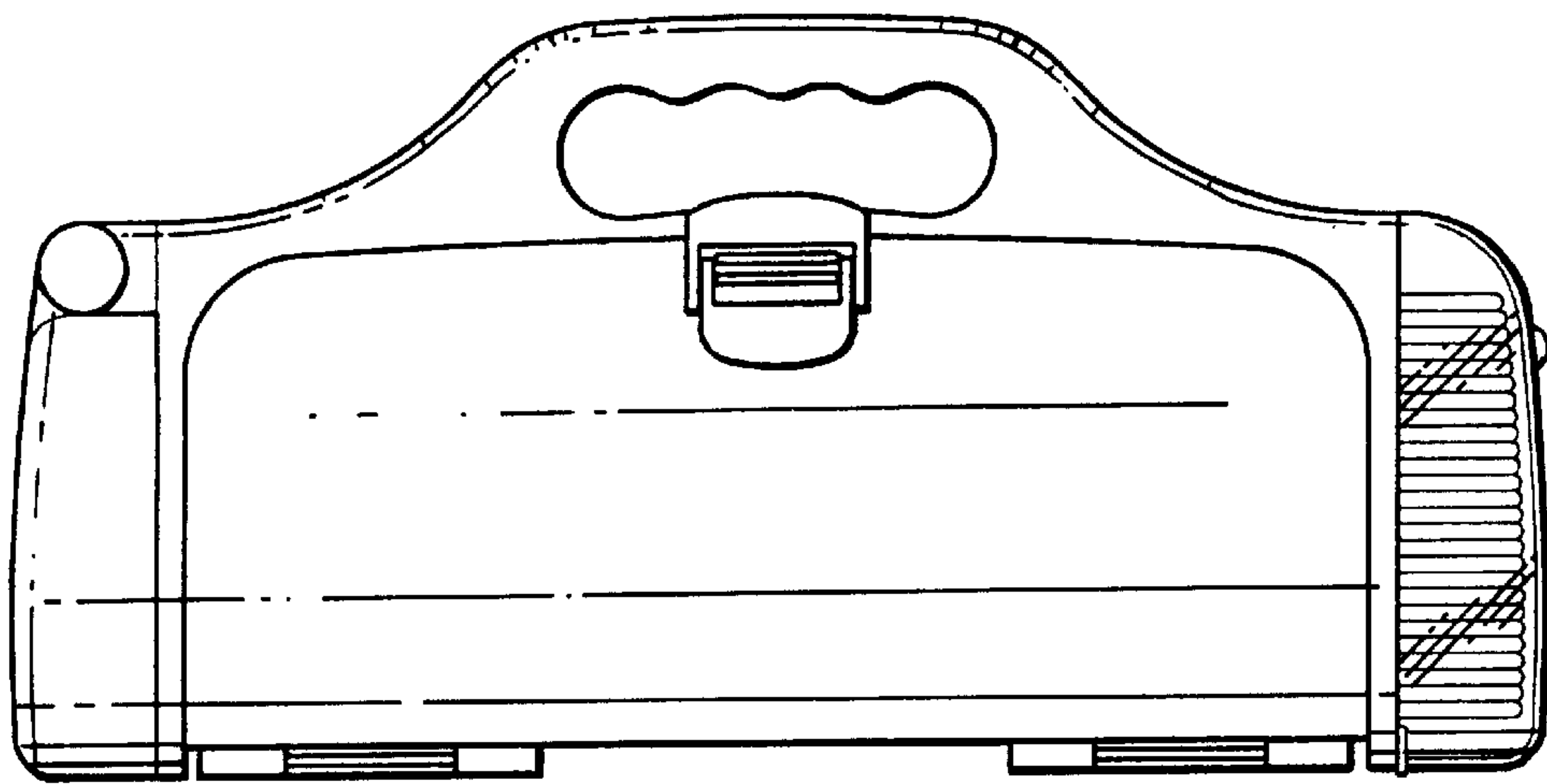


FIG .3

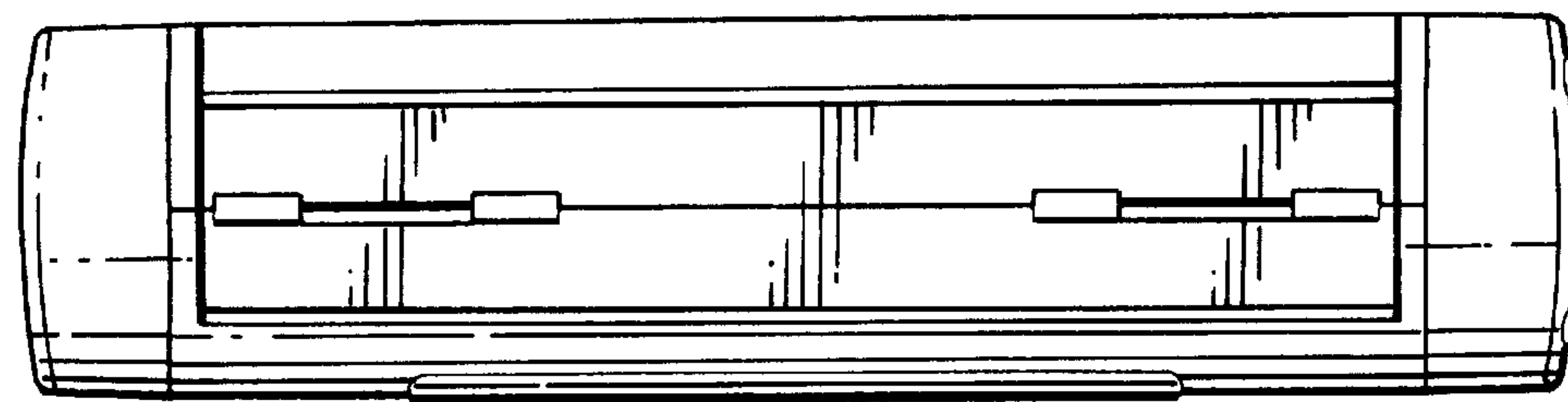


FIG. 4

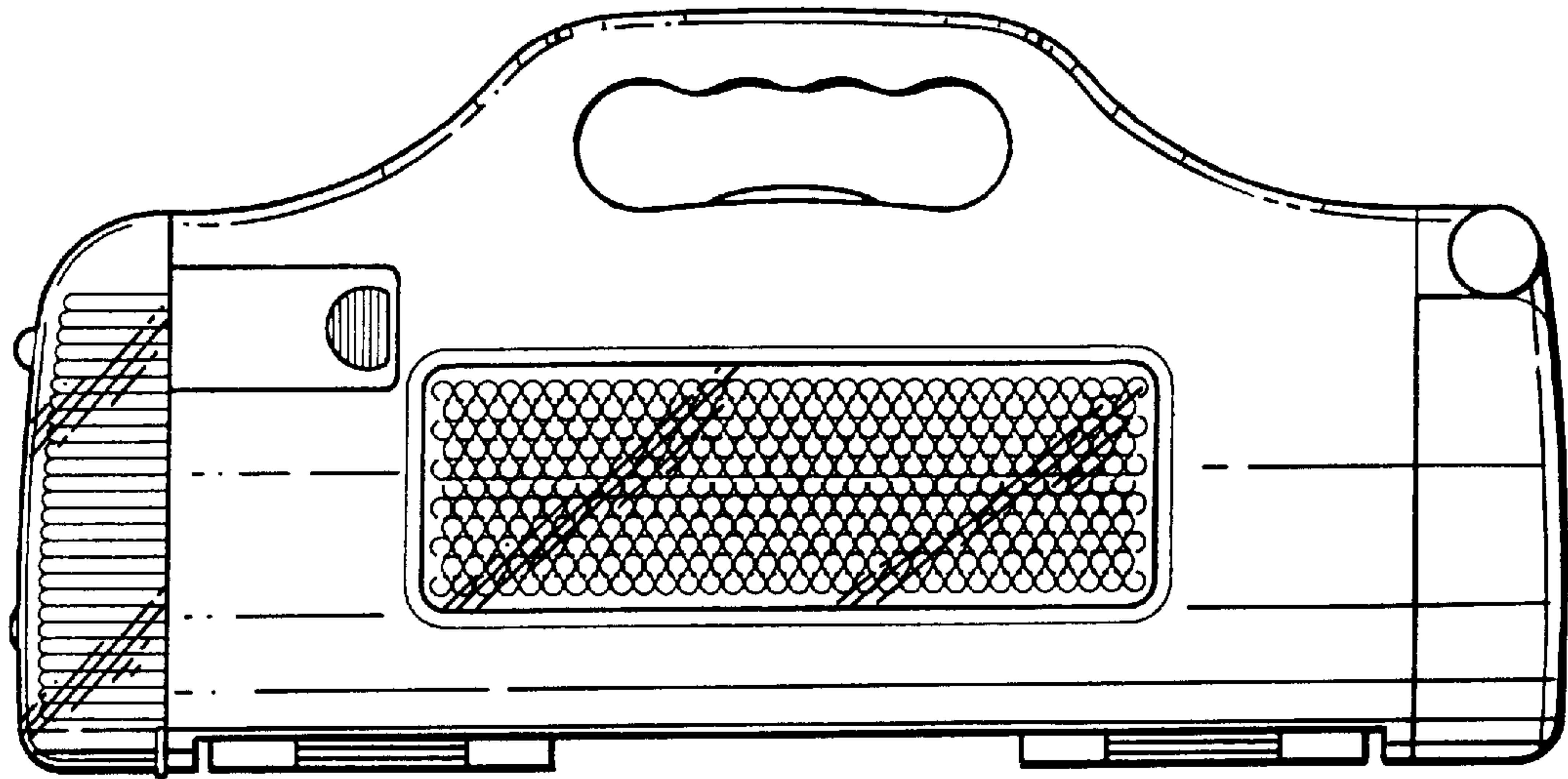


FIG. 5

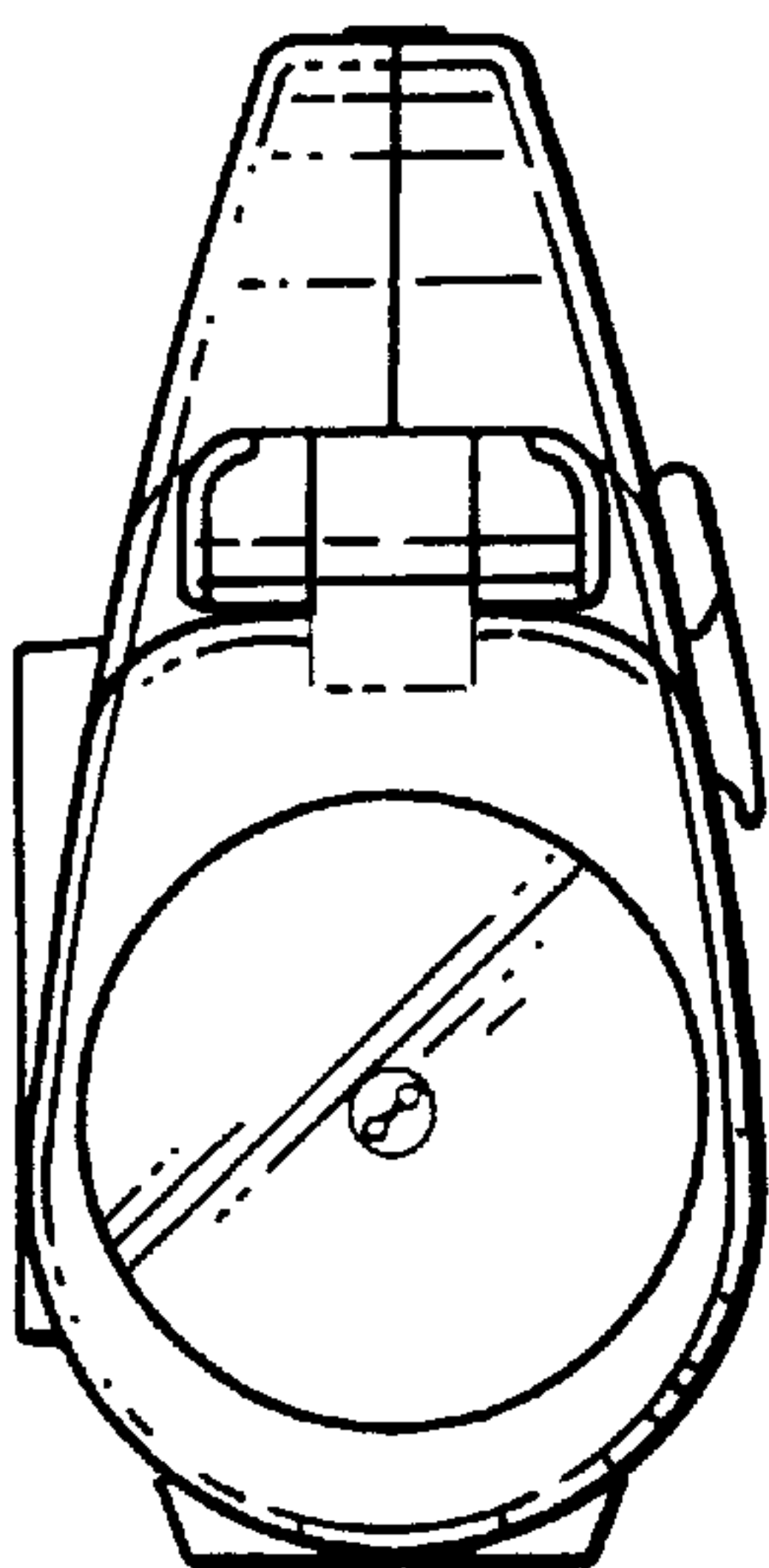


FIG. 6

