



US00D427342S

United States Patent [19]

Hunter et al.

[11] Patent Number: **Des. 427,342**

[45] Date of Patent: **** Jun. 27, 2000**

[54] **FRONT COMBINATION LAMP FOR AN AUTOMOBILE**

D. 406,912 3/1999 Sacco et al. D26/28
D. 414,571 9/1999 Schneider et al. D26/28

[75] Inventors: **Kevin K. Hunter**, Laguna Niguel, Calif.; **Yasuhide Hosoda**; **Hirofumi Hokao**, both of Aichi-ken, Japan

[73] Assignee: **Toyota Jidosha Kabushiki Kaisha**, Japan

[**] Term: **14 Years**

[21] Appl. No.: **29/110,862**

[22] Filed: **Sep. 15, 1999**

[51] **LOC (7) Cl.** **26-06**

[52] **U.S. Cl.** **D26/28**

[58] **Field of Search** D26/28-36; 362/61, 362/80, 83.4, 267, 269, 275

[56] **References Cited**

U.S. PATENT DOCUMENTS

- D. 391,652 3/1998 Sacco et al. D26/28
- D. 396,311 7/1998 Sacco et al. D26/28
- D. 399,983 10/1998 Cadotte et al. D26/28
- D. 403,443 12/1998 Sacco et al. D26/28

OTHER PUBLICATIONS

Honda "Civic Ferio" and "CR-V", Japanese Motor Vehicles Guide Book, vol. 45, Oct. 23, 1998, pp. 103 and 105.
Toyota "Prius", brochure issued Nov., 1998.

Primary Examiner—Marcus A. Jackson
Attorney, Agent, or Firm—SAIDMAN DesignLaw Group

[57] **CLAIM**

The ornamental design for a front combination lamp for an automobile, as shown and described.

DESCRIPTION

FIG. 1 is a front perspective view of a front combination lamp for an automobile showing our new design;
FIG. 2 is a front view thereof;
FIG. 3 is a rear view thereof;
FIG. 4 is a right view thereof;
FIG. 5 is a left view thereof;
FIG. 6 is a top view thereof; and,
FIG. 7 is a bottom view thereof.

1 Claim, 2 Drawing Sheets





FIG. 1

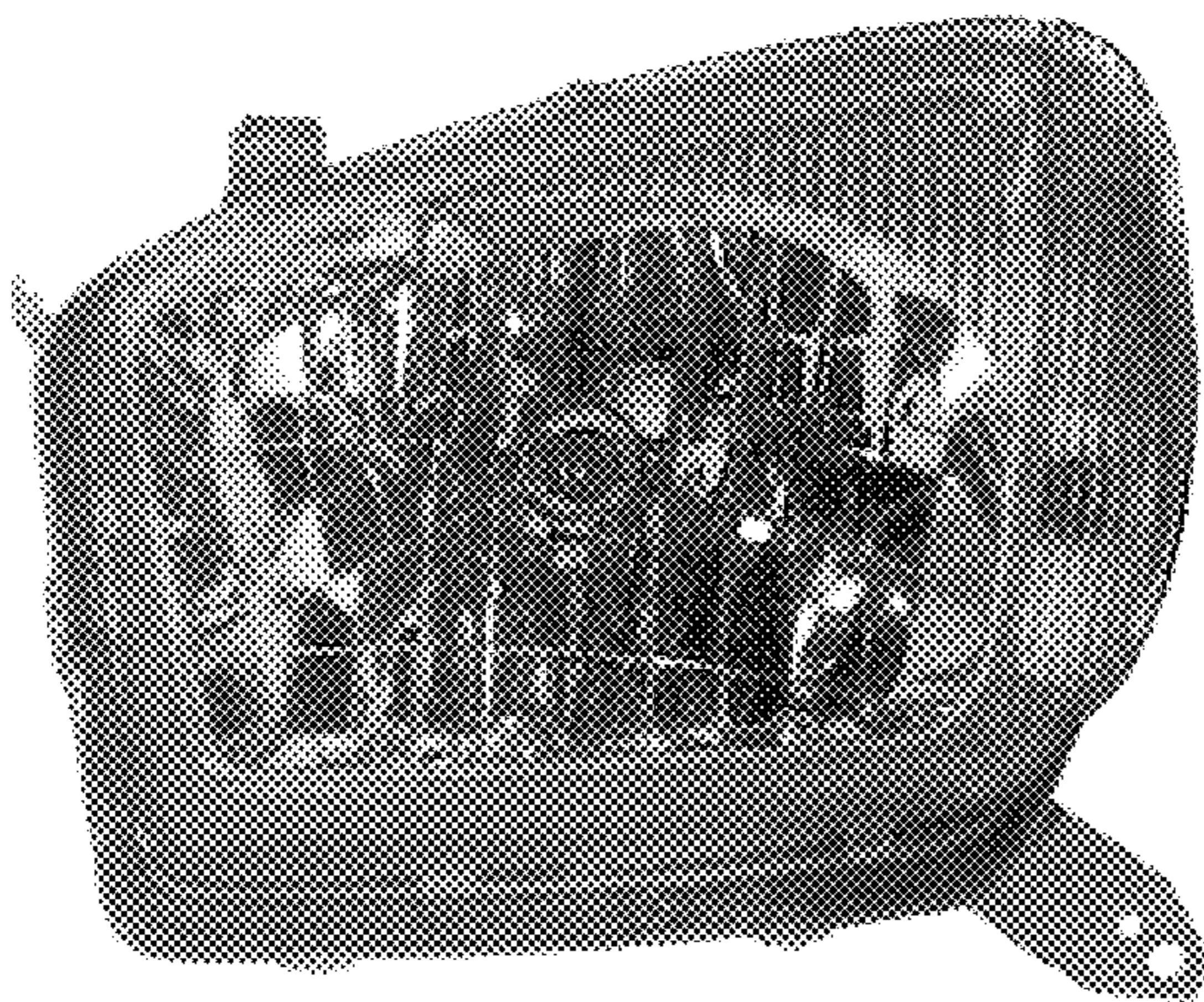


FIG. 2

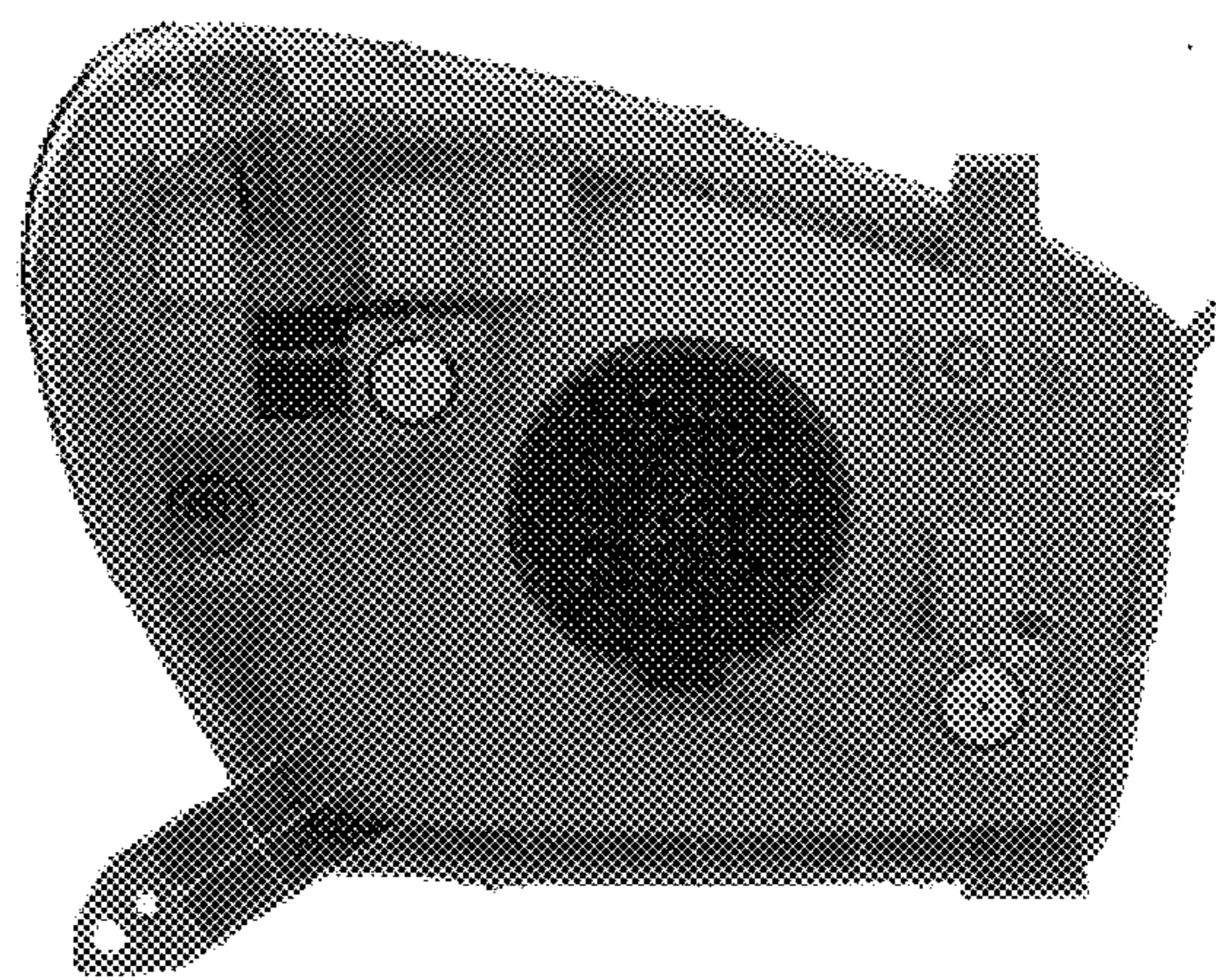


FIG. 3

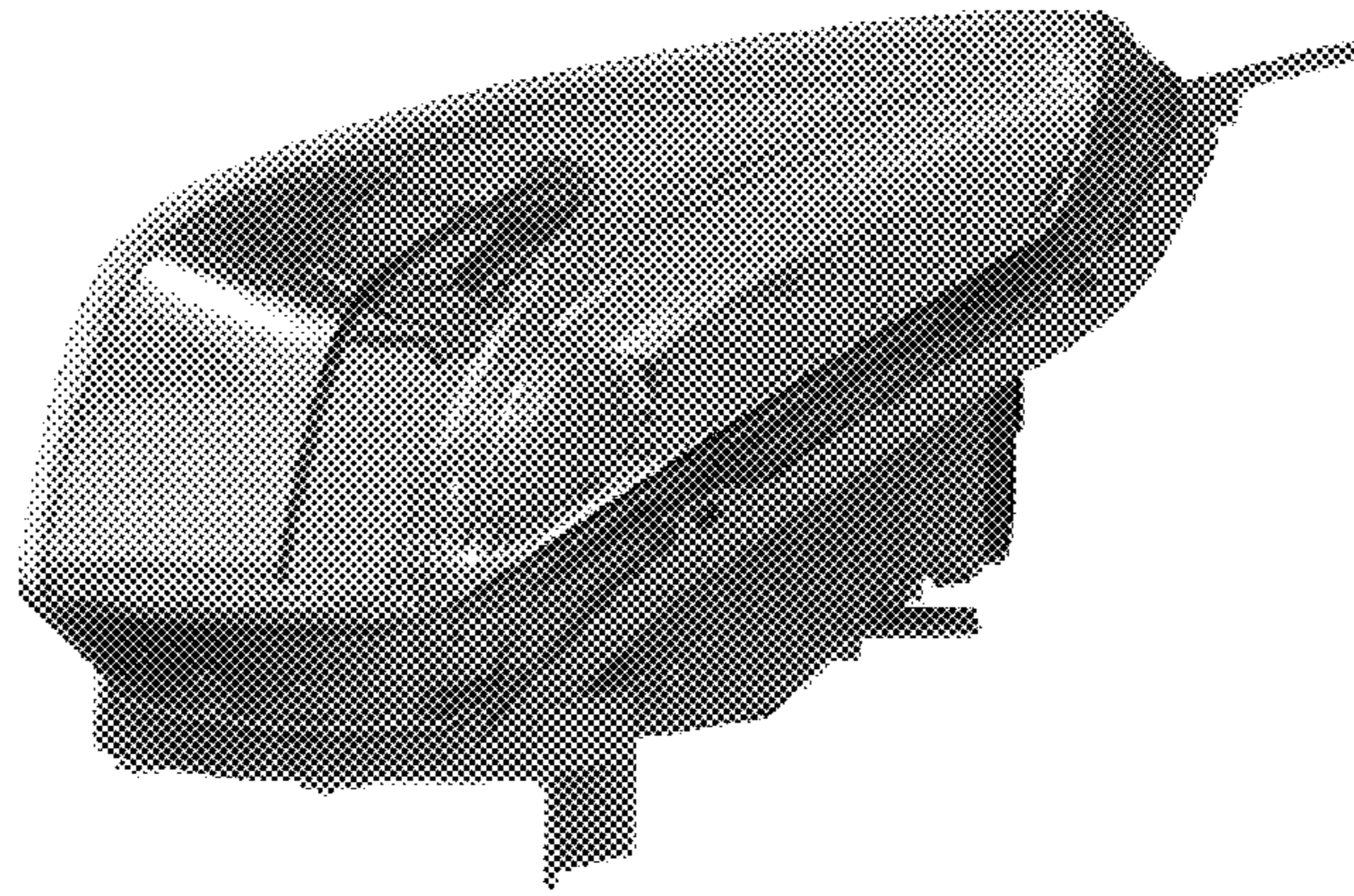


FIG. 4

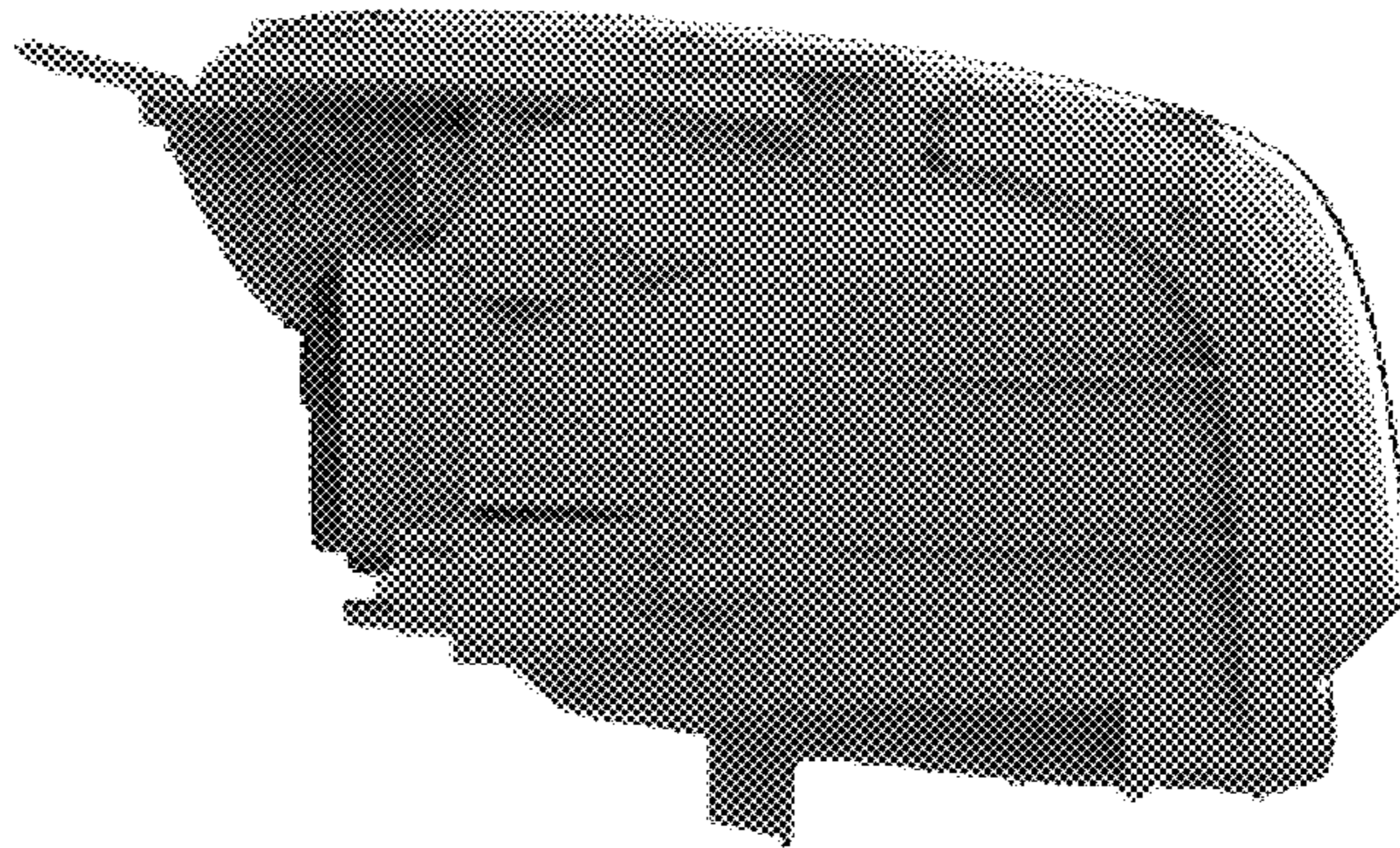


FIG. 5

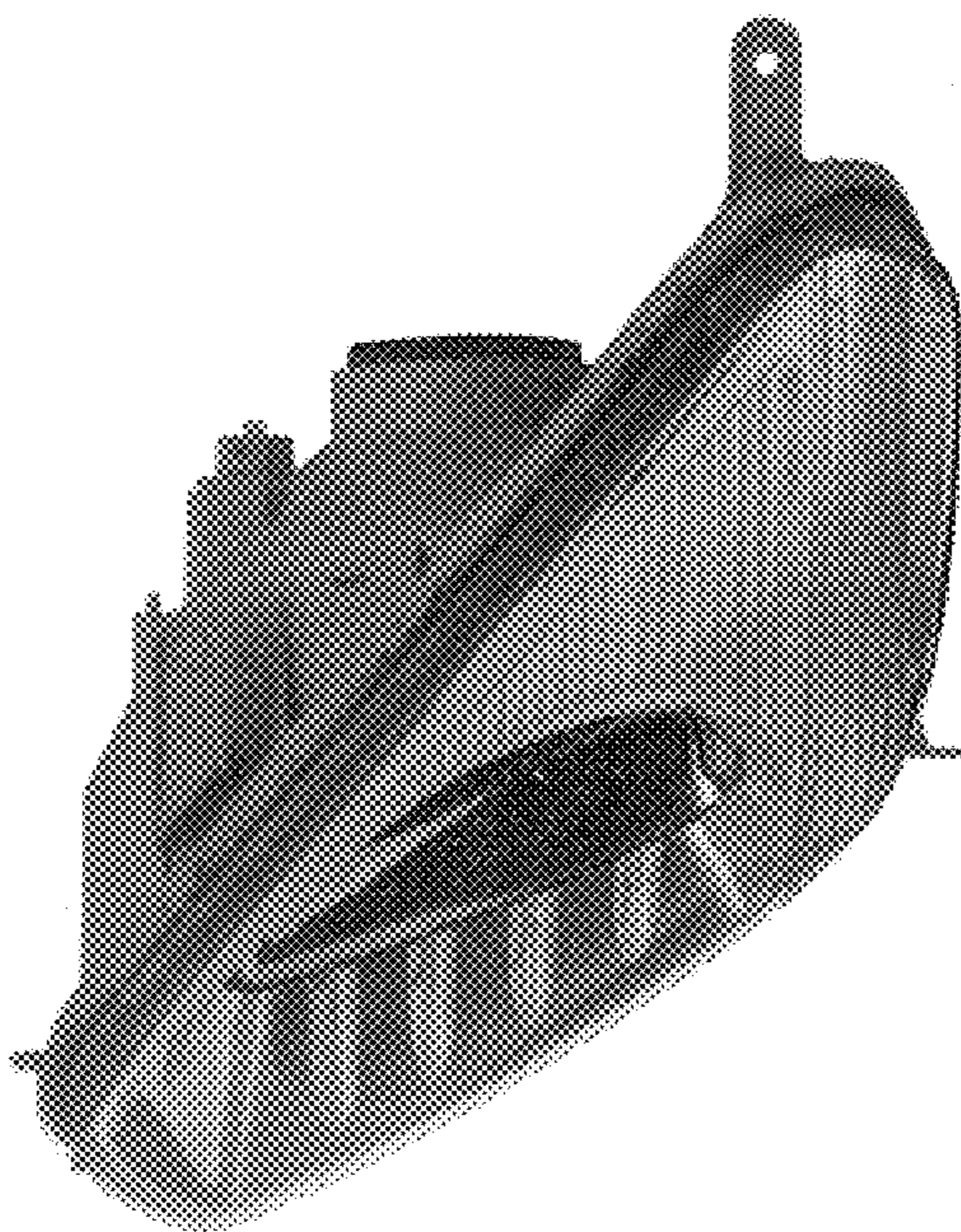


FIG. 6

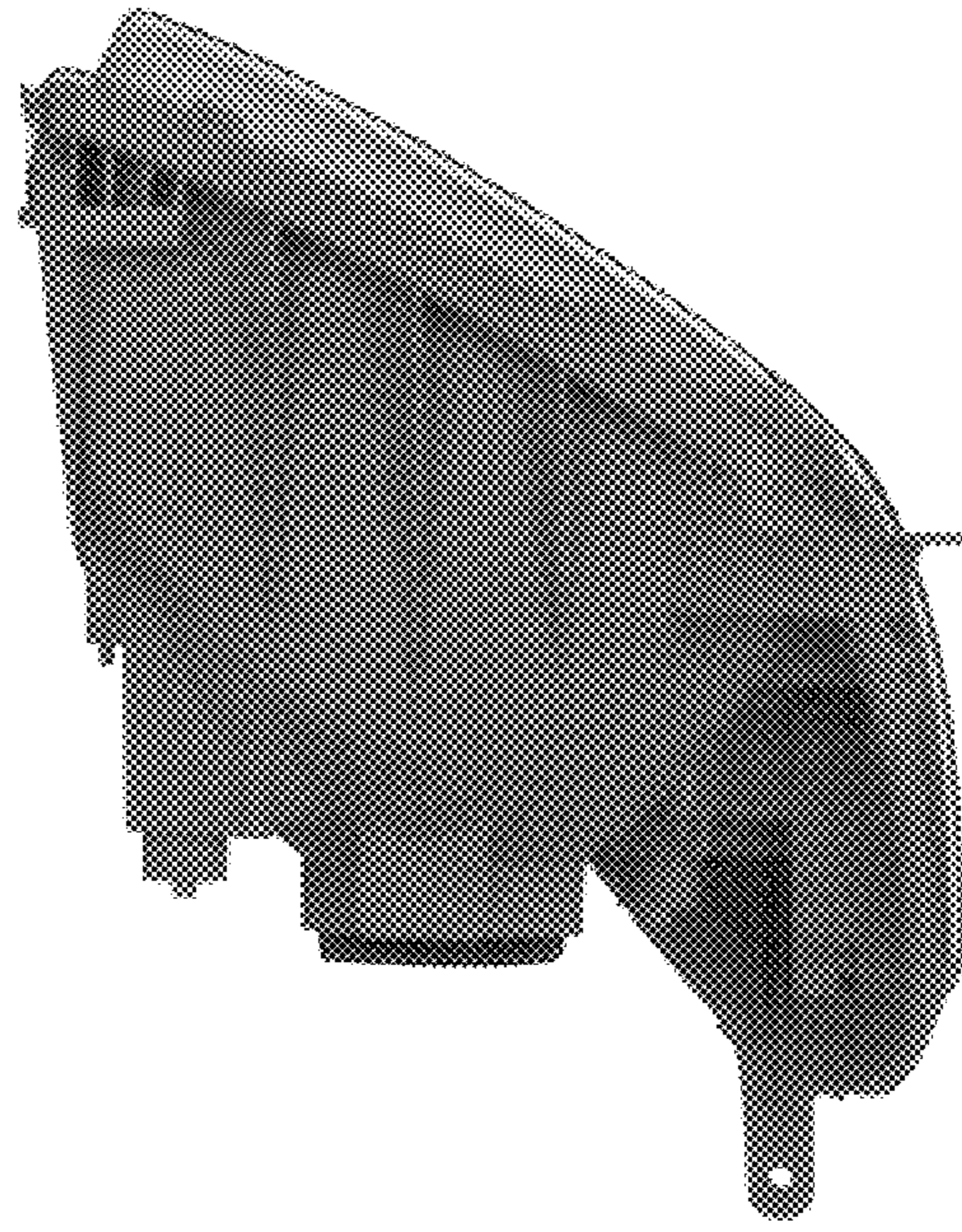


FIG. 7