



US00D427339S

United States Patent [19]
Tingley

[11] **Patent Number: Des. 427,339**

[45] **Date of Patent: ** Jun. 27, 2000**

[54] **FIREPLACE CANDLE HOLDER**

4,369,762 1/1983 Ziebert D23/410
6,010,331 1/2000 Tingley 431/295

[76] Inventor: **Craig M. Tingley**, 930 Halstead Dr.,
Marietta, Ga. 30064

Primary Examiner—Robin V. Taylor
Attorney, Agent, or Firm—Anton J. Hopen; Smith & Hopen,
P.A.

[**] Term: **14 Years**

[21] Appl. No.: **29/111,942**

[57] **CLAIM**

[22] Filed: **Oct. 6, 1999**

The ornamental design for a fireplace candle holder, as
substantially shown and described.

[51] **LOC (7) Cl.** **26-02**

DESCRIPTION

[52] **U.S. Cl.** **D26/13**

[58] **Field of Search** D26/9-13, 15;
D23/403, 410; 431/495, 125; 126/540

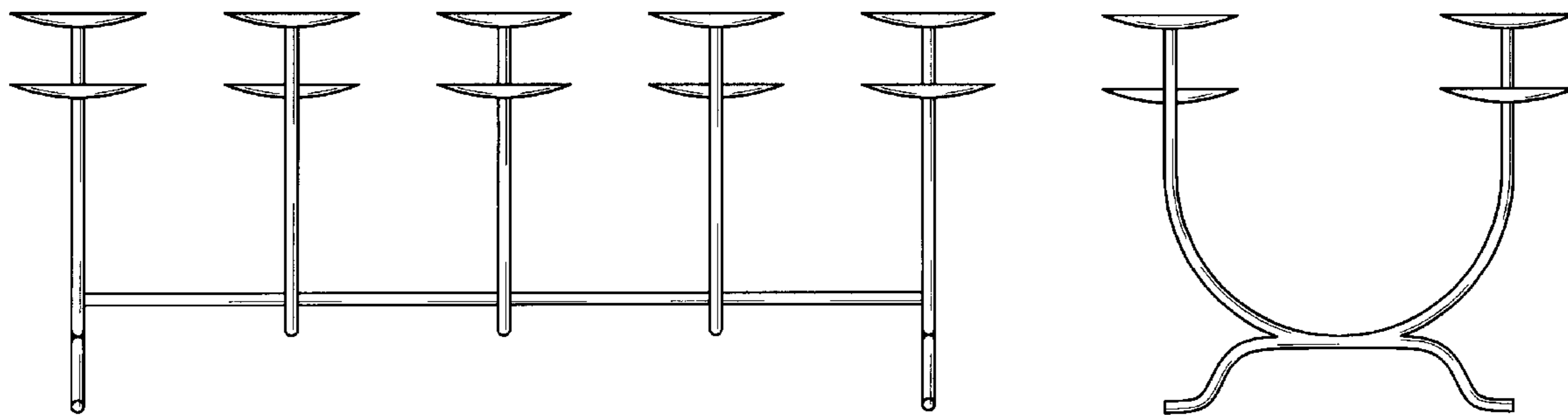
FIG. 1 is a front view of the fireplace candle holder;
FIG. 2 is a rear view thereof;
FIG. 3 is a right side elevational view thereof;
FIG. 4 is a left side elevational view thereof;
FIG. 5 is a top plan view thereof; and,
FIG. 6 is a bottom plan view thereof.

[56] **References Cited**

U.S. PATENT DOCUMENTS

D. 267,464 1/1983 Hassett et al. D23/410
D. 397,461 8/1998 Tingley D26/15

1 Claim, 3 Drawing Sheets



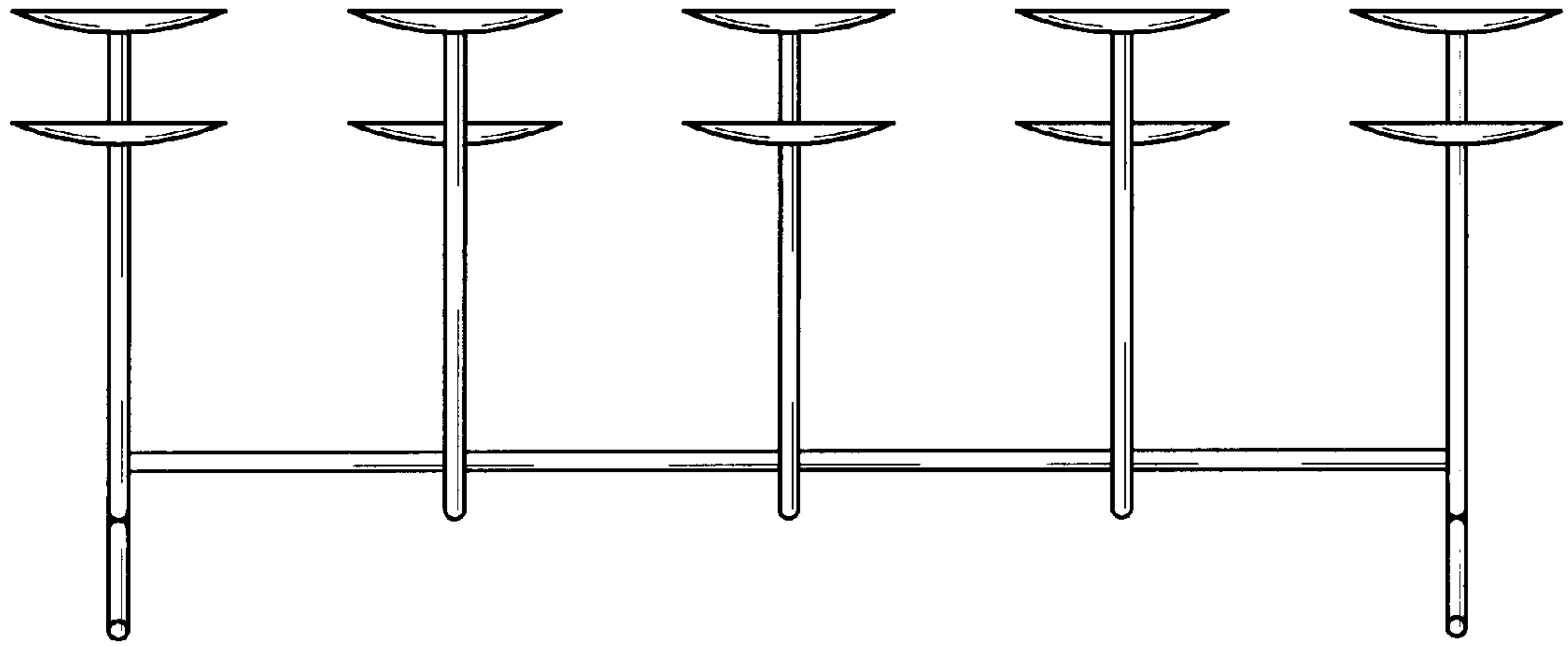


Fig. 1

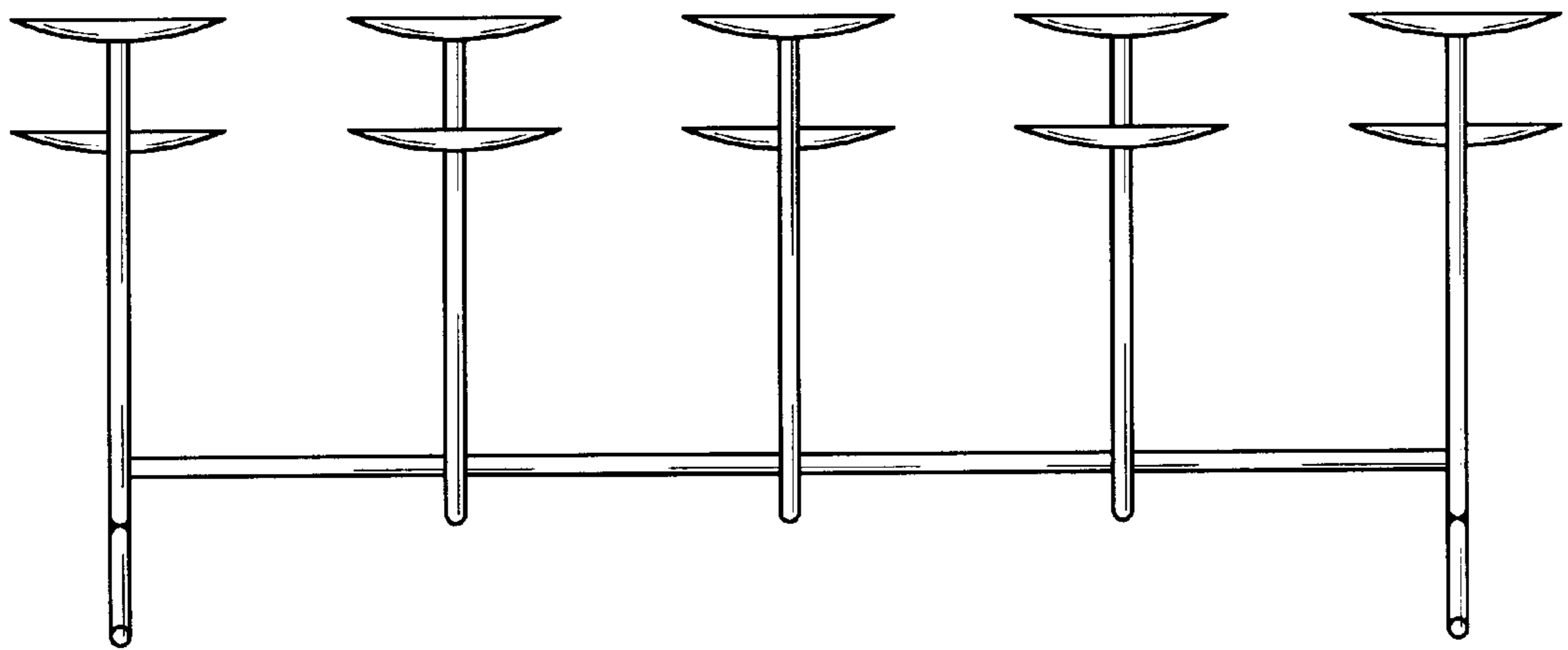


Fig. 2

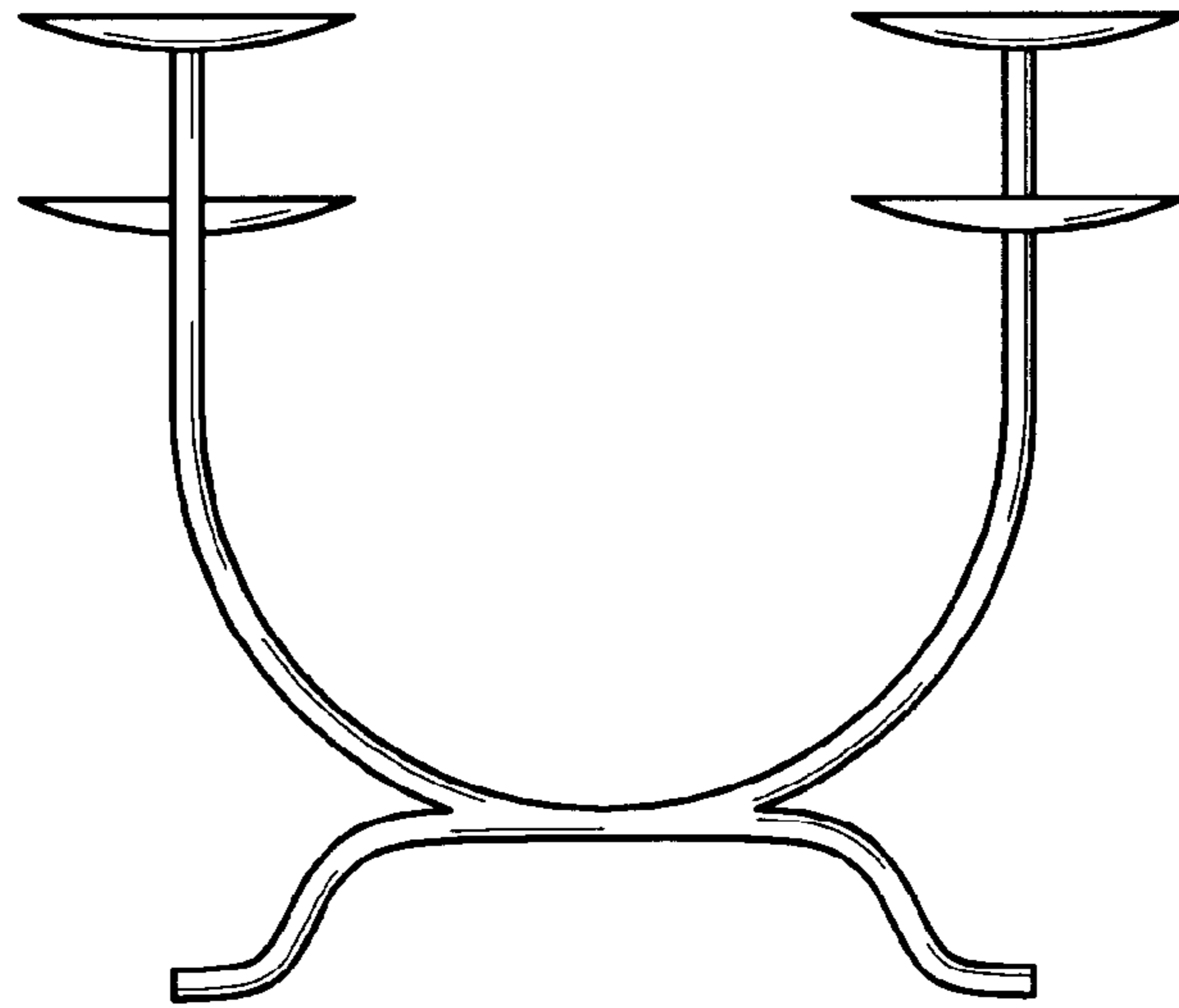


Fig. 3

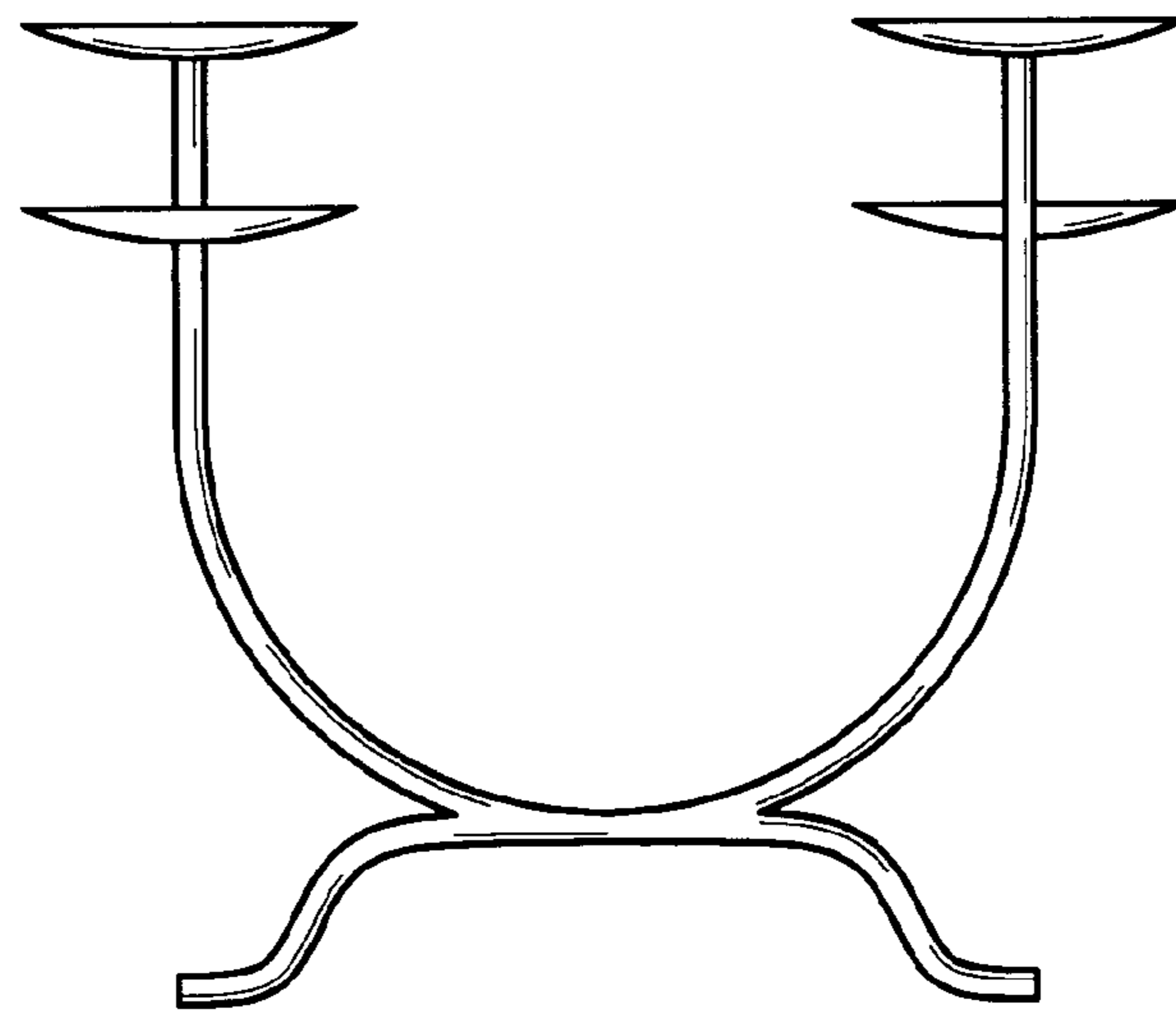


Fig. 4

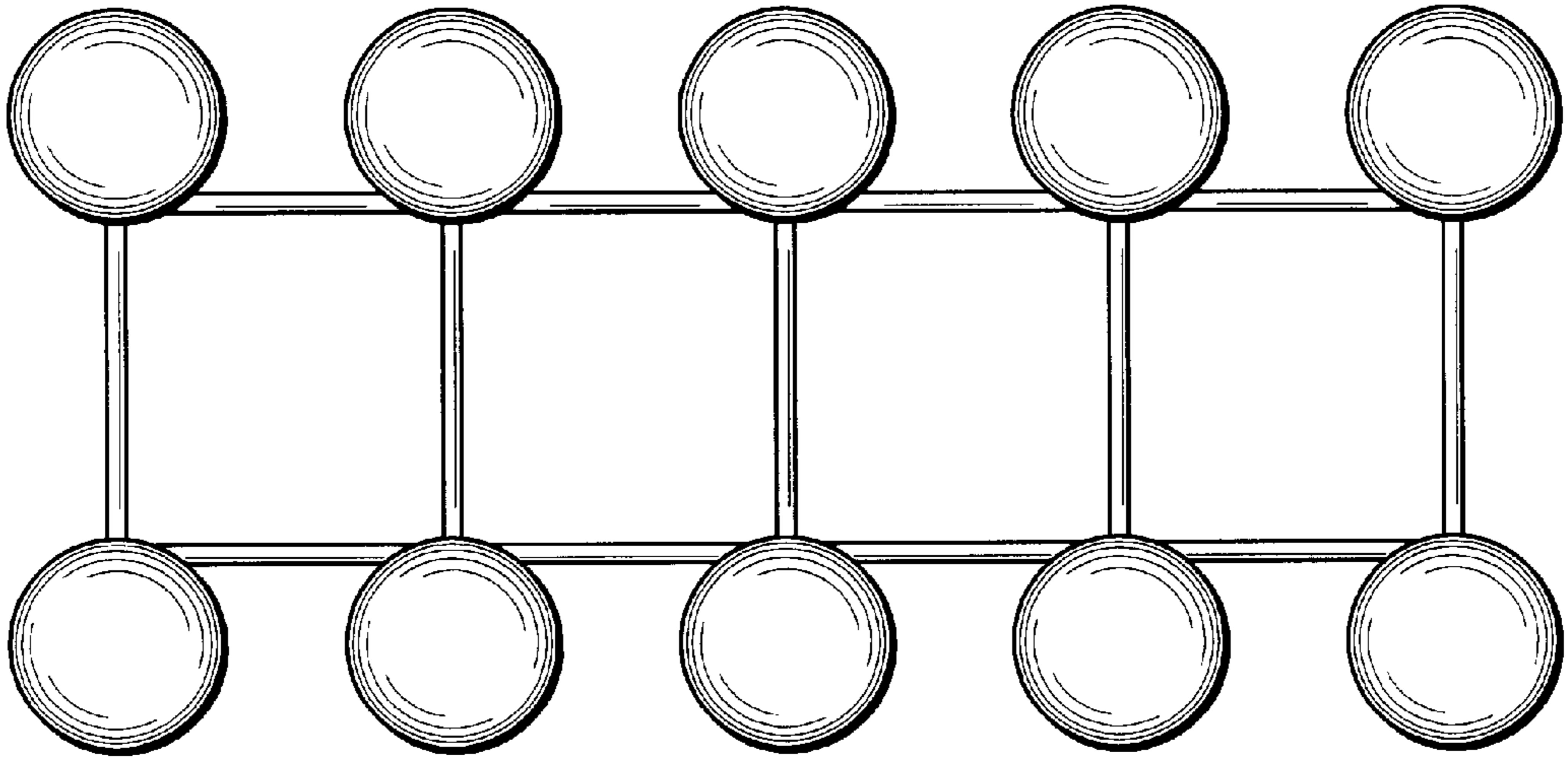


Fig. 5

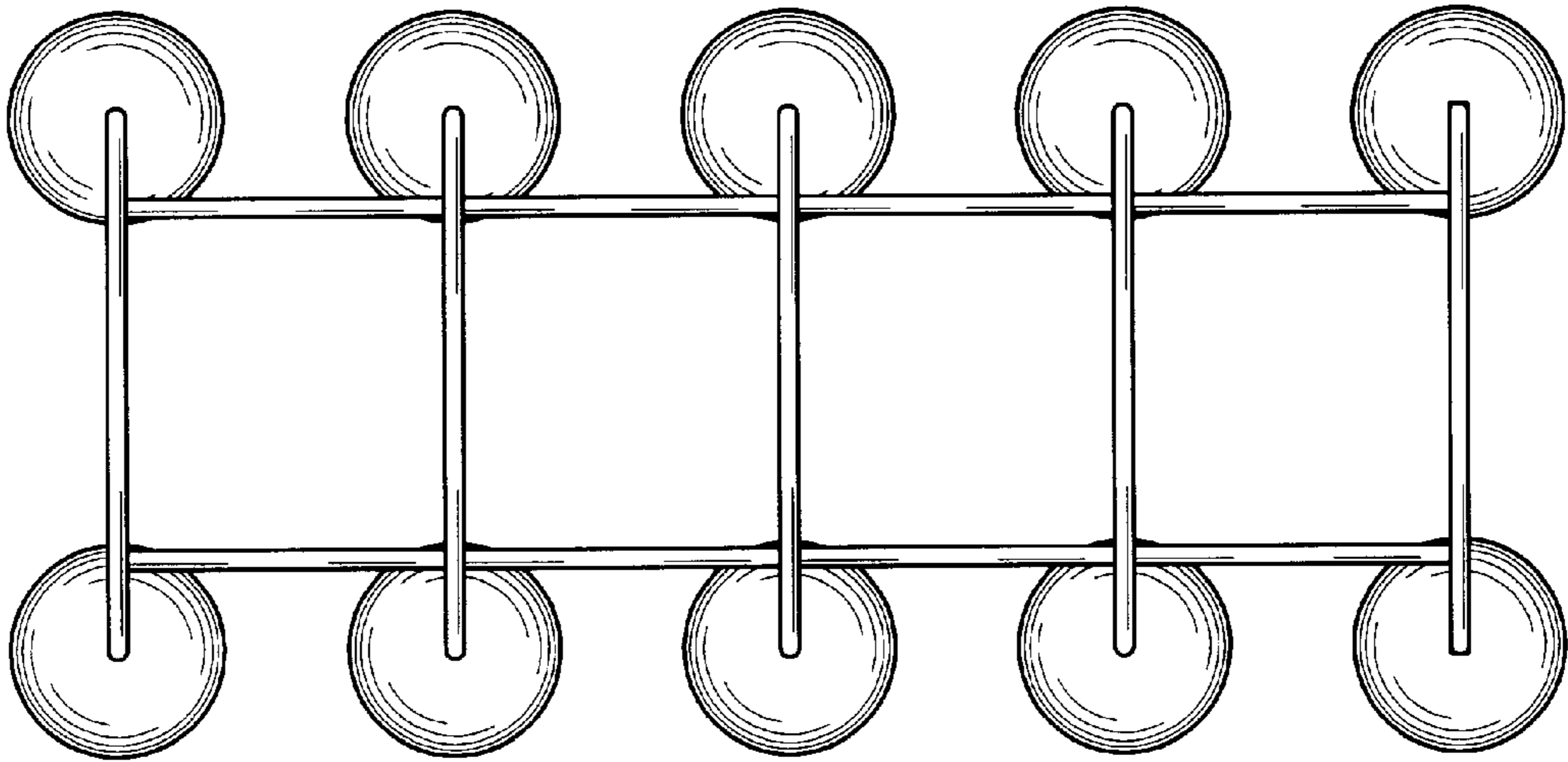


Fig. 6