



US00D427336S

United States Patent [19]
Orlandi

[11] **Patent Number: Des. 427,336**

[45] **Date of Patent: ** Jun. 27, 2000**

[54] **CANDLE AND ARRAY**

5,660,387 8/1997 Stokes 273/157 R

[76] Inventor: **Janice Orlandi**, 106 Perry St., New York, N.Y. 10014

Primary Examiner—Robin V. Taylor
Attorney, Agent, or Firm—Whitman Breed Abbott & Morgan LLC; Gregor N. Neff, Esq.

[**] Term: **14 Years**

[57] **CLAIM**

[21] Appl. No.: **29/096,992**

The ornamental design for a candle and array, as shown and described.

[22] Filed: **Nov. 25, 1998**

[51] **LOC (7) Cl.** **26-04**

[52] **U.S. Cl.** **D26/6**

[58] **Field of Search** D26/6, 7, 9-16;
431/125, 126, 288-292; D21/478, 479;
273/157 R

DESCRIPTION

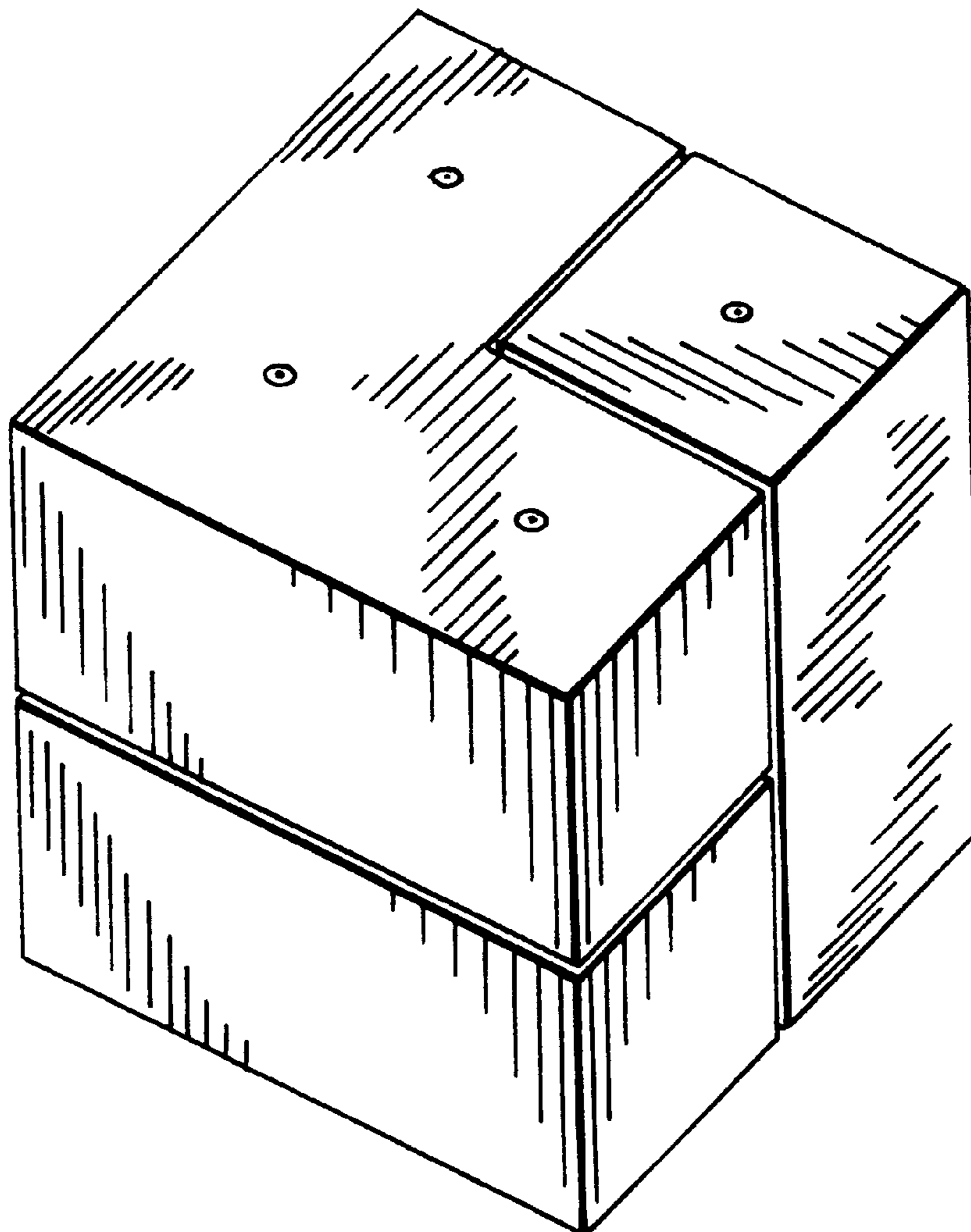
FIG. 1 is a perspective view of the candle and array of the present invention, the bottom wall being unadorned; FIG. 2 is a top plan view of the FIG. 1 showing; FIG. 3 is a front perspective view of the L-shaped top element of the array shown separately for clarity of illustration; FIG. 4 is a rear perspective view of the element shown in FIG. 3; and, FIG. 5 is a side elevational view of the square element of the array shown separately for clarity of illustration.

[56] **References Cited**

U.S. PATENT DOCUMENTS

D. 236,234	8/1975	Hansen	D26/9
D. 353,850	12/1994	Hrsel et al.	D21/478
2,115,962	5/1938	Orme	D26/9
4,555,231	11/1985	Kustka	431/288
5,405,135	4/1995	Embro	273/157 R

1 Claim, 1 Drawing Sheet



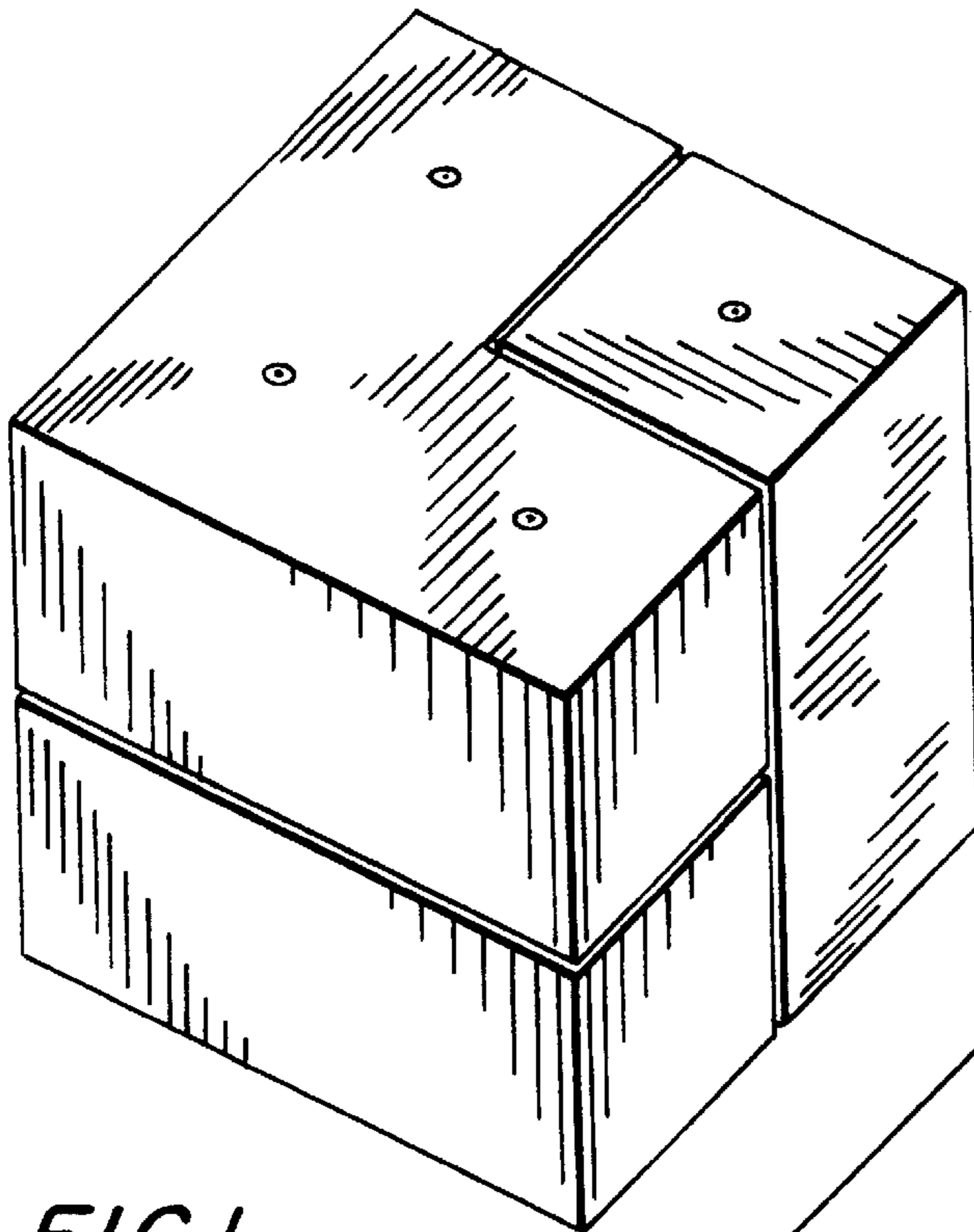


FIG. 1

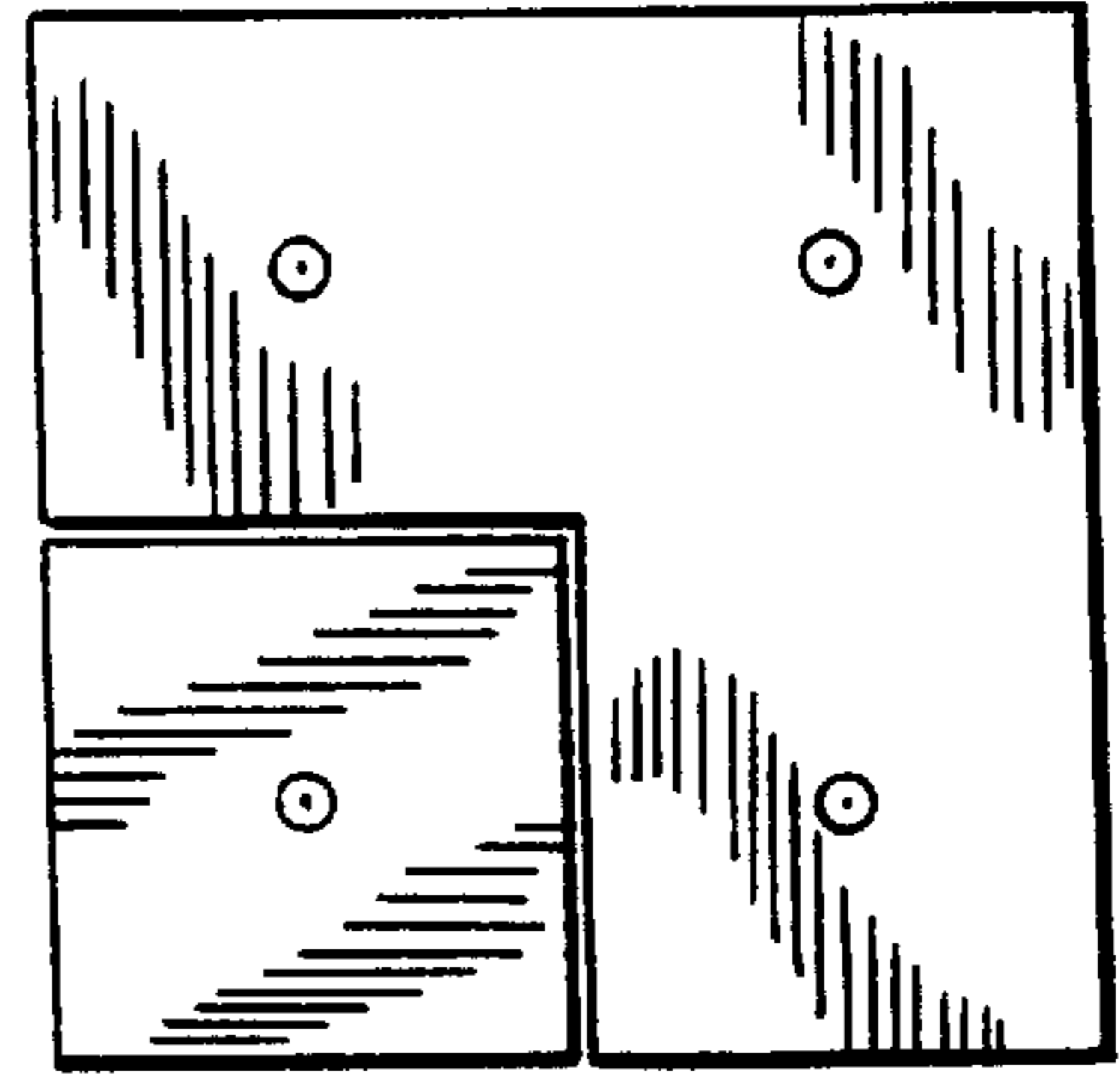


FIG. 2

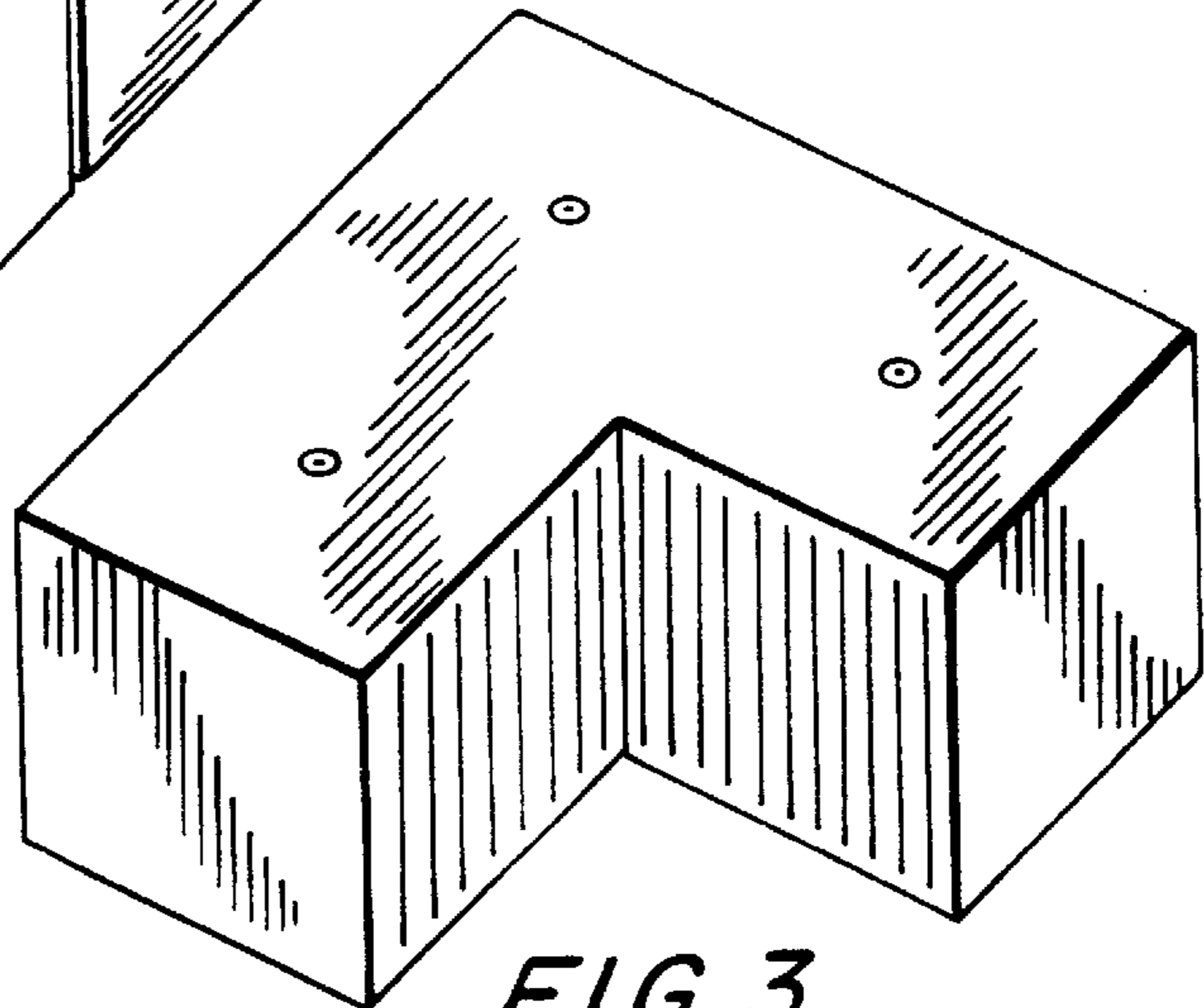


FIG. 3

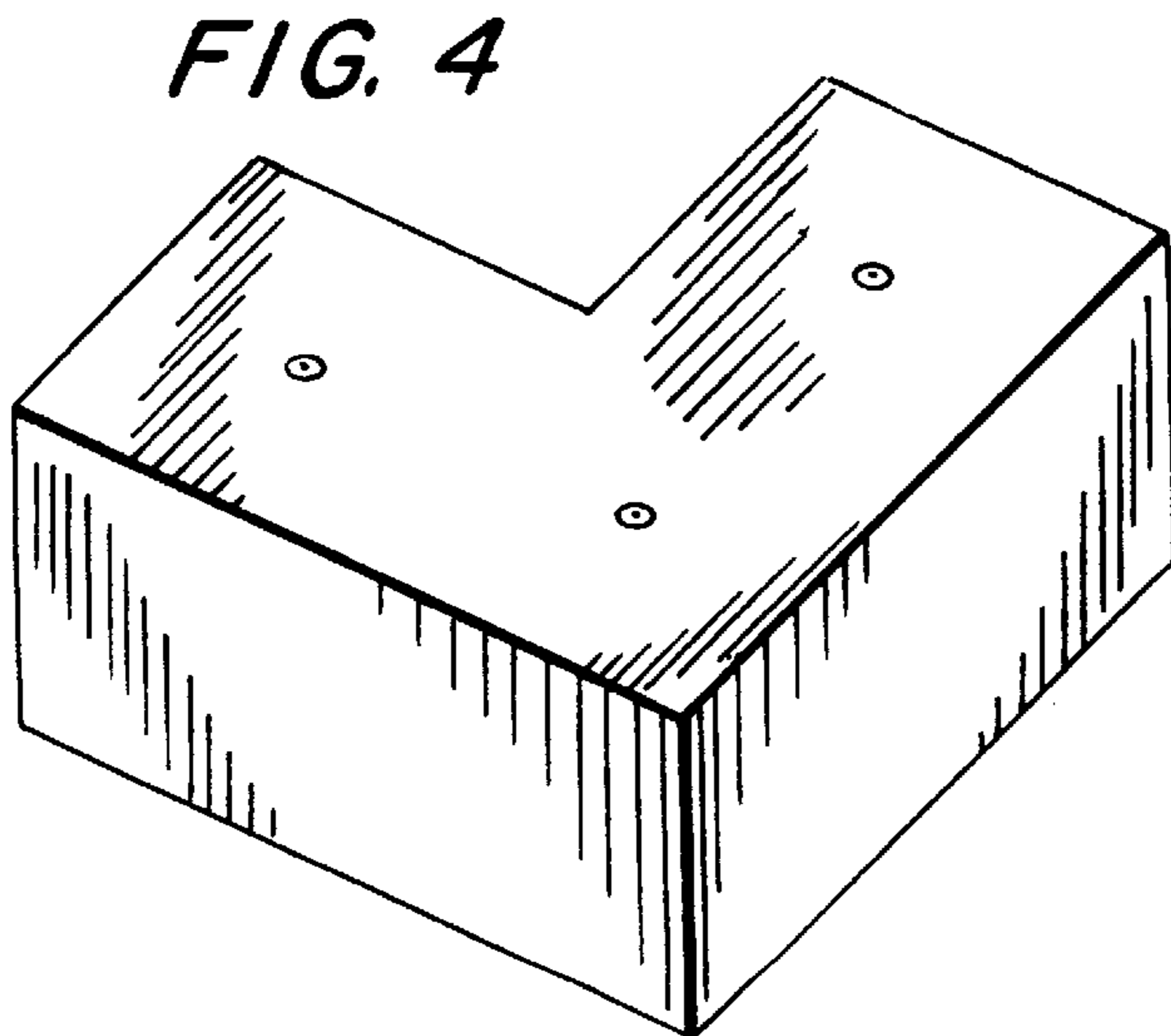


FIG. 4



FIG. 5